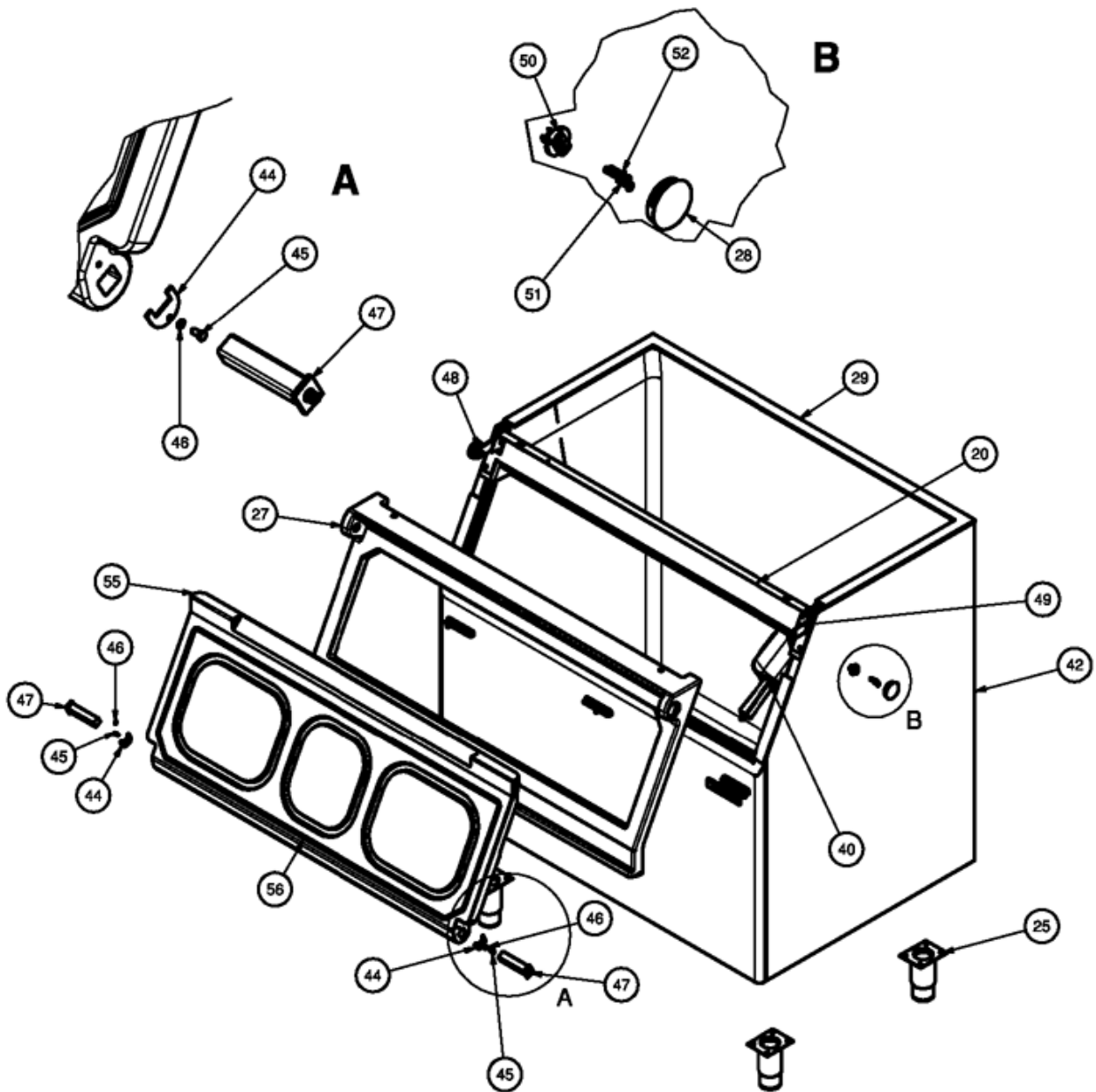


Pos	Code	Description
0001	SCCM 81502140	LEG+SOCKET
0002	SCCM 81460555	S.S. UPPER BIN DOOR FRAME
0004	SCCM 19550126	GASKET - PER METER
0005	SCCM 19550104	GASKET - PER METER
0007	SCCM 25702875	BUSHING
0008	SCCM 19550123	GASKET
0009	SCCM 19550126	GASKET - PER METER
0010	SCCM 25702857	HINGE
0013	SCCM 19690418	PLUG
0014	SC02000540 01	ICE SCOOP
0018	SCCM 12727200	SCREW
0023	SCCM 12768410	SCREW



Pos	Code	Description
0020	SCCM 81460555	S.S. UPPER BIN DOOR FRAME
0025	SCCM 81502140	LEG+SOCKET
0027	SCCM 19550123	GASKET
0027	SCCM 25702874	BIN DOOR FRAME
0028	SCCM 19690418	PLUG
0029	SCCM 25702879	GASKET
0040	SC02000540 01	ICE SCOOP
0044	SCCM 25702939	HINGE HOLDER
0045	SCCM 12788801	SCREW
0046	SCCM 12581502	LOCKWASHER
0047	SCCM 25702938	HINGE
0048	SCCM 25703067	HINGE HOLDER LEFT
0049	SCCM 25703066	HINGE HOLDER RIGHT
0050	SCCM 25702940	BUSHING
0051	SCCM 12727748	SCREW
0052	SCCM 12901903	SCREW
0055	SCCM 25702937	BIN DOOR
0056	SCCM 19550126	GASKET - PER METER