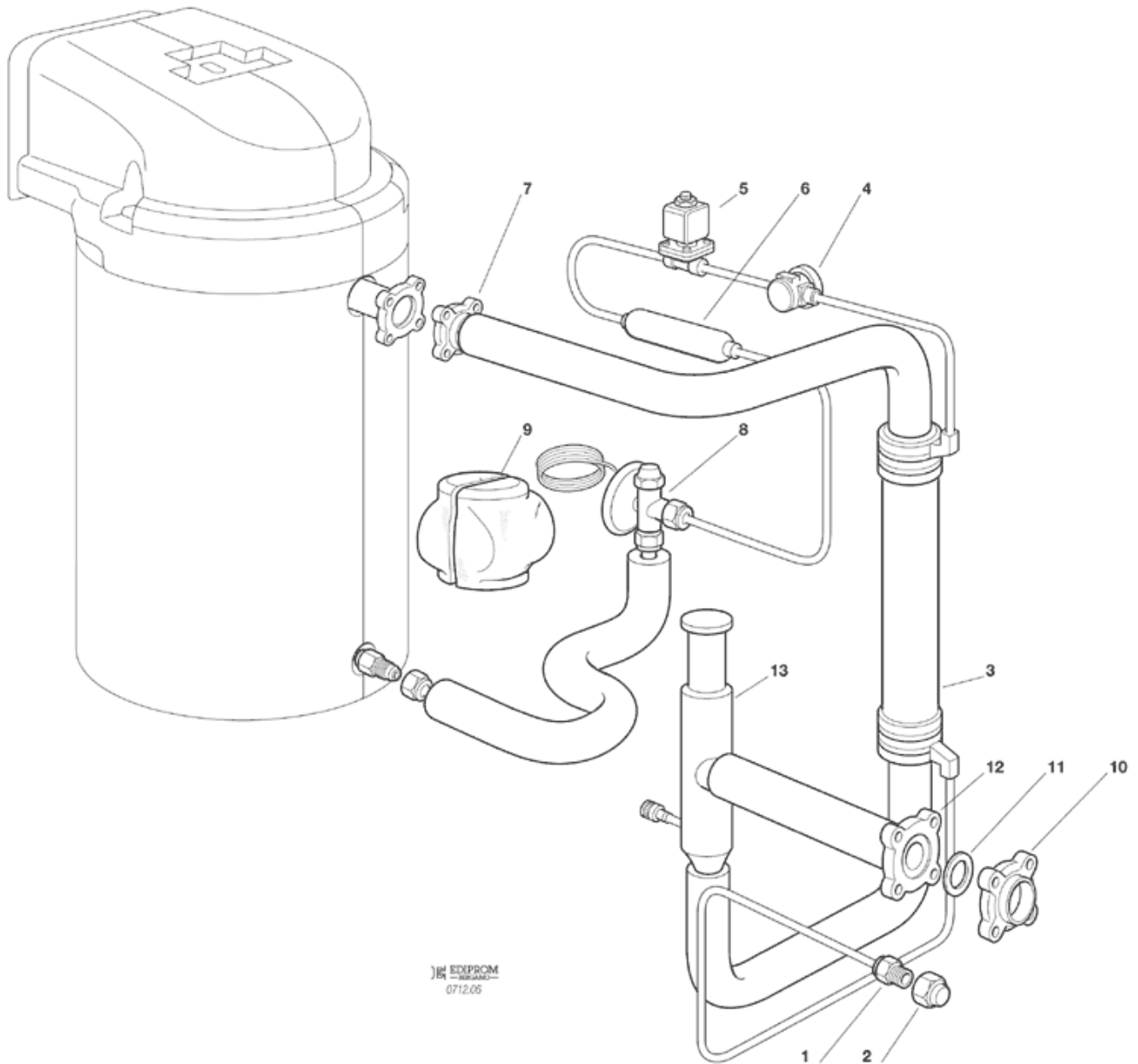
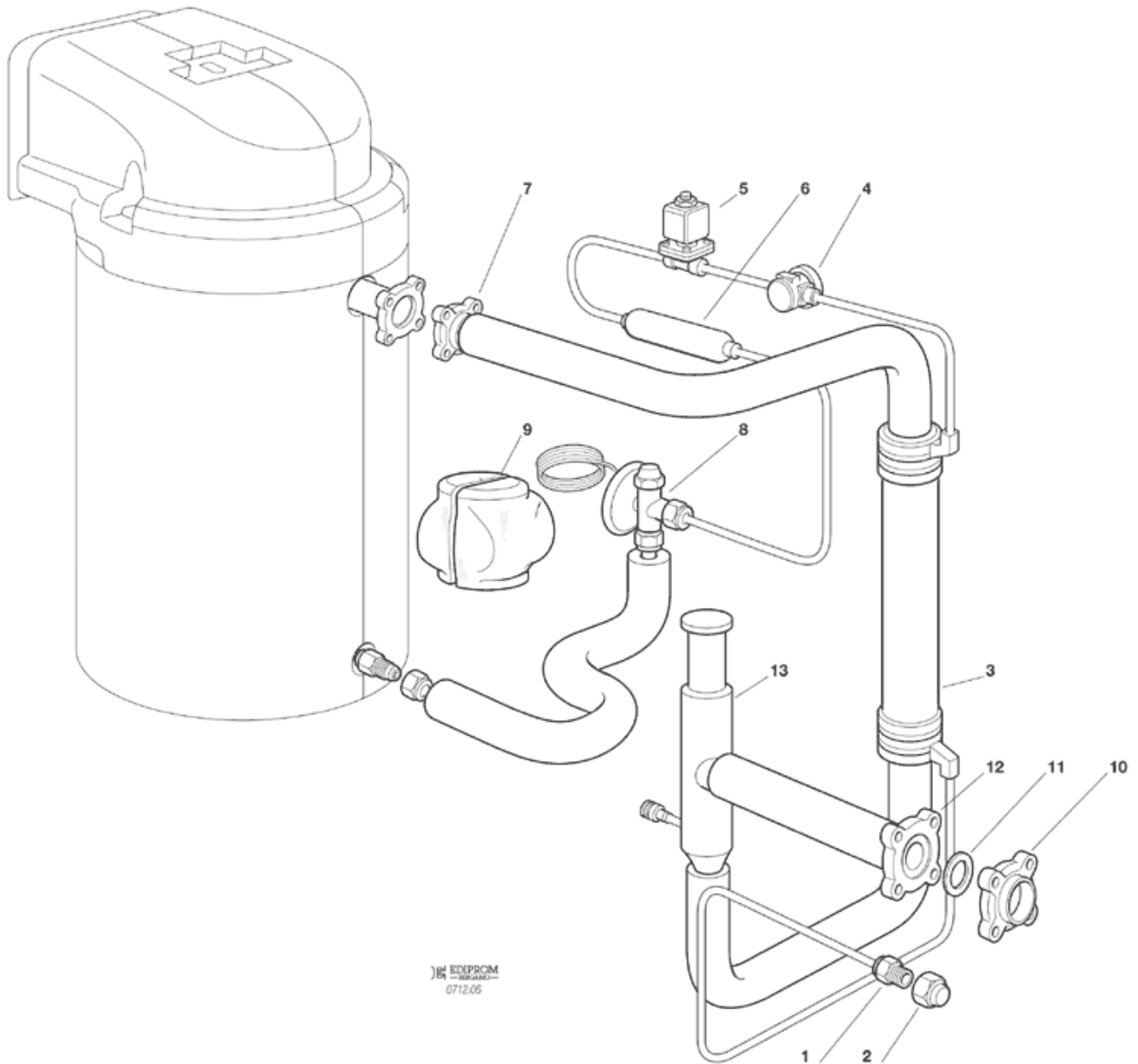


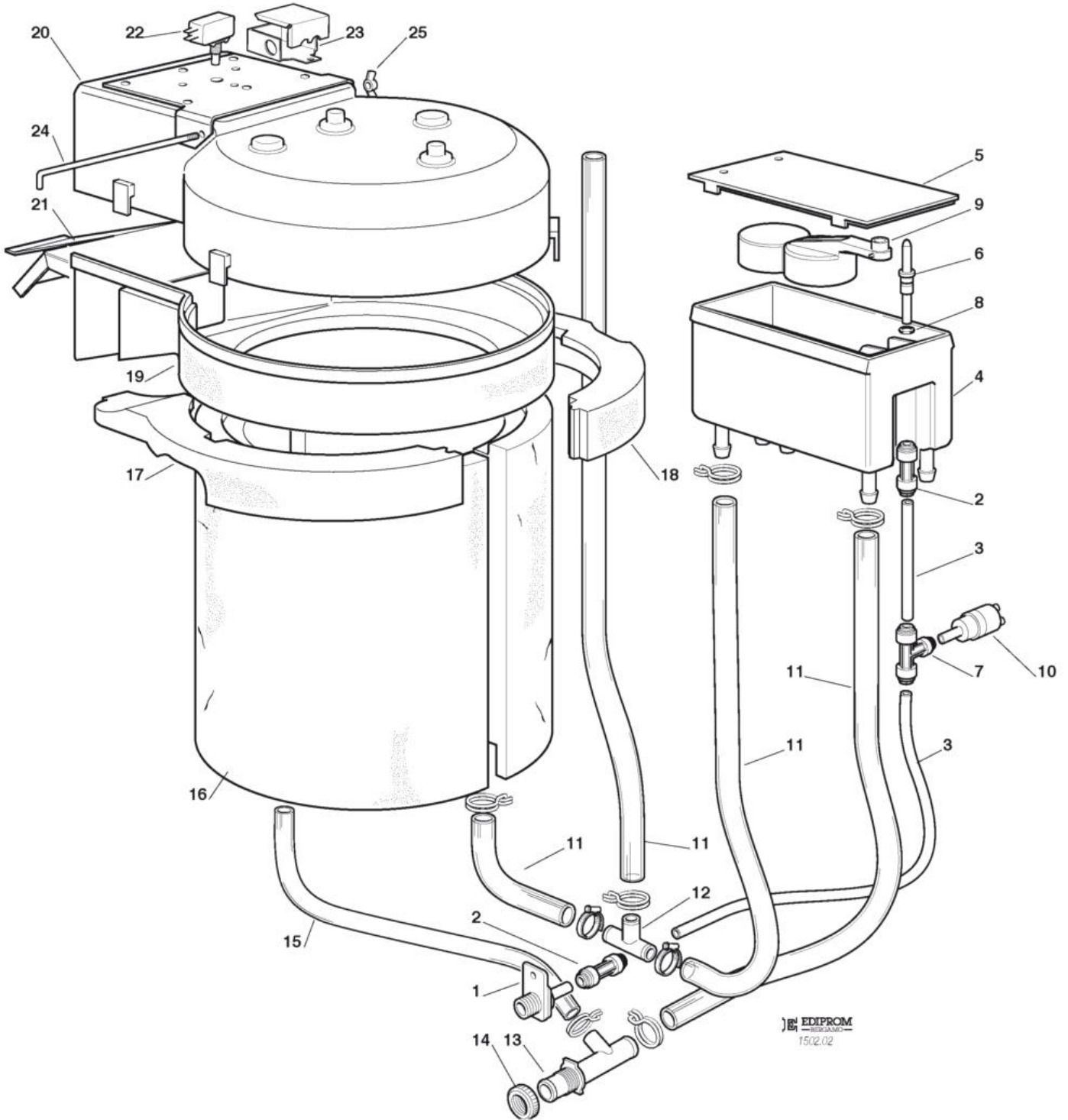
Pos	Code	Description
0001	SC781458 00	UNIT BASE
0002	SC722262 00	UNIT CORNER
0003	SC722222 00	UNIT CORNER
0004	SC722222 00	UNIT CORNER
0005	SC722222 00	UNIT CORNER
0006	SC702493 00	FRONT TRIM
0007	SC702496 00	SIDE TRIM
0008	SC702496 00	SIDE TRIM
0009	SC702472 00	REAR TRIM
0010	SC722253 00	RIGHT-LEFT SIDE PANEL
0011	SC722253 00	RIGHT-LEFT SIDE PANEL
0012	SC722252 00	UPPER FRONT PANEL
0013	SC722254 00	BOTTOM FRONT PANEL
0014	SC722255 00	UPPER REAR PANEL
0015	SC722256 00	PANNELLO POST.INF.MF83SPL
0016	SC723167 00	HOOK UP PANEL
0017	SC660868 00	TOP PANEL
0018	SC650850 00	SCOTSMAN EMBLEM
0019	SC650971 00	LABEL
0020	SC650880 00	LEG
0021	SC660854 02	SPOUT COVER ASSY
0022	SC660742 00	INSPECTION PANEL
0023	SC660855 02	ICE CHUTE



Pos	Code	Description
0001	SC650517 01	FLANGE FITTING
0003	SC620317 01	HEAT EXCHANGER
0004	SC620324 02	SIGHT GLASS
0005	SC620306 07	HOT GAS VALVE BODY
0005	SC620306 48	HOT GAS VALVE COIL
0006	SC630117 00	MECH. FILTER
0007	SC650521 00	BRASS FLANGE
0008	SC620427 57	AUT. EXP. VALVE
0009	SC650740 00	TXV INSULATION
0010	SC650521 00	BRASS FLANGE
0011	SC640076 09	GASKET
0012	SC650521 00	BRASS FLANGE
0013	SC620454 02	EVAP. PRESSURE REG. VALVE



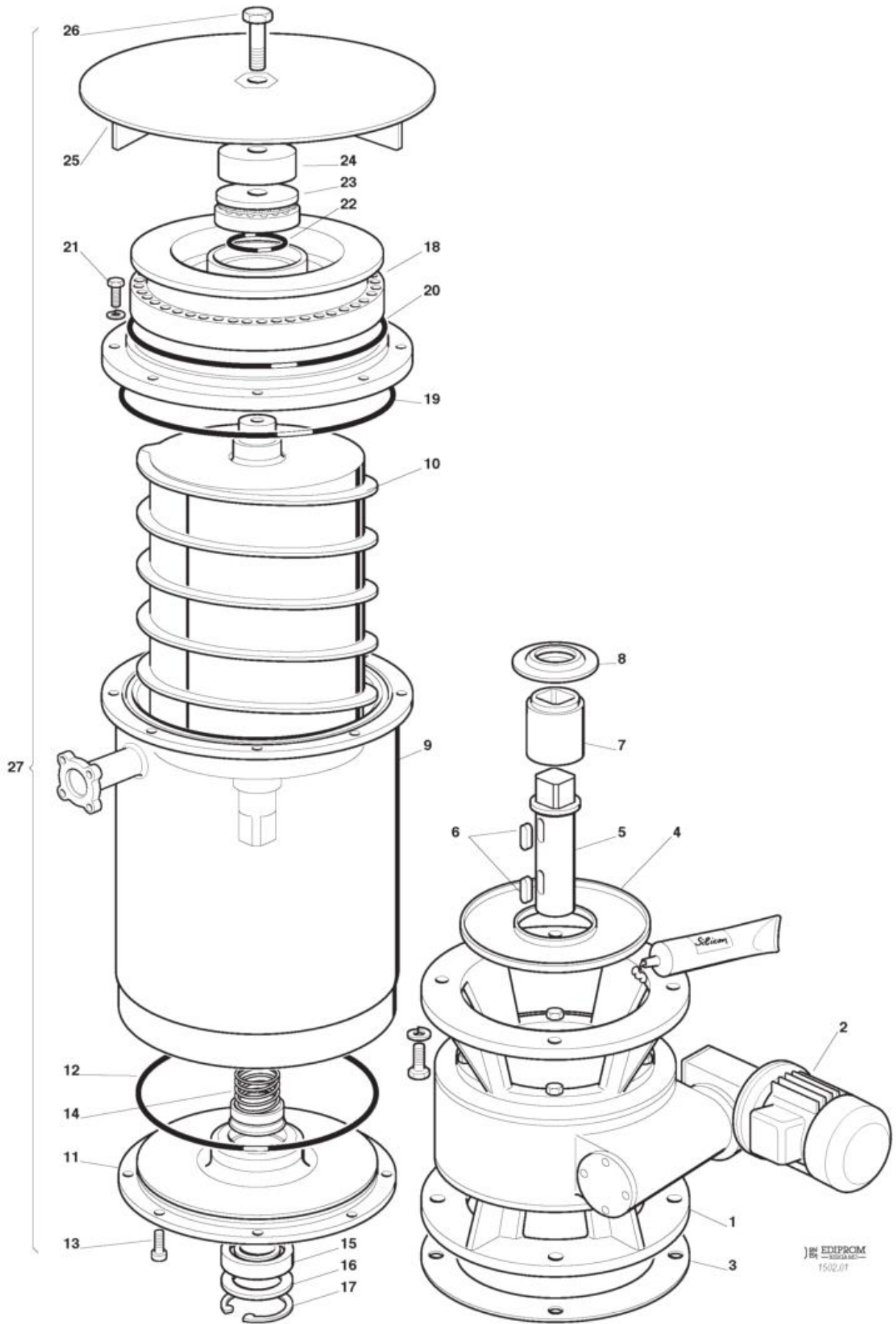
Pos	Code	Description
0001	SC650517 01	FLANGE FITTING
0003	SC620317 01	HEAT EXCHANGER
0004	SC620324 02	SIGHT GLASS
0005	SC620306 07	HOT GAS VALVE BODY
0005	SC620306 48	HOT GAS VALVE COIL
0006	SC630117 00	MECH. FILTER
0007	SC650521 00	BRASS FLANGE
0008	SC620427 58	TXV ASSY
0009	SC650740 00	TXV INSULATION
0010	SC650521 00	BRASS FLANGE
0011	SC640076 09	GASKET
0012	SC650521 00	BRASS FLANGE
0013	SC620454 02	EVAP. PRESSURE REG. VALVE



EDIPROM  
1502.02

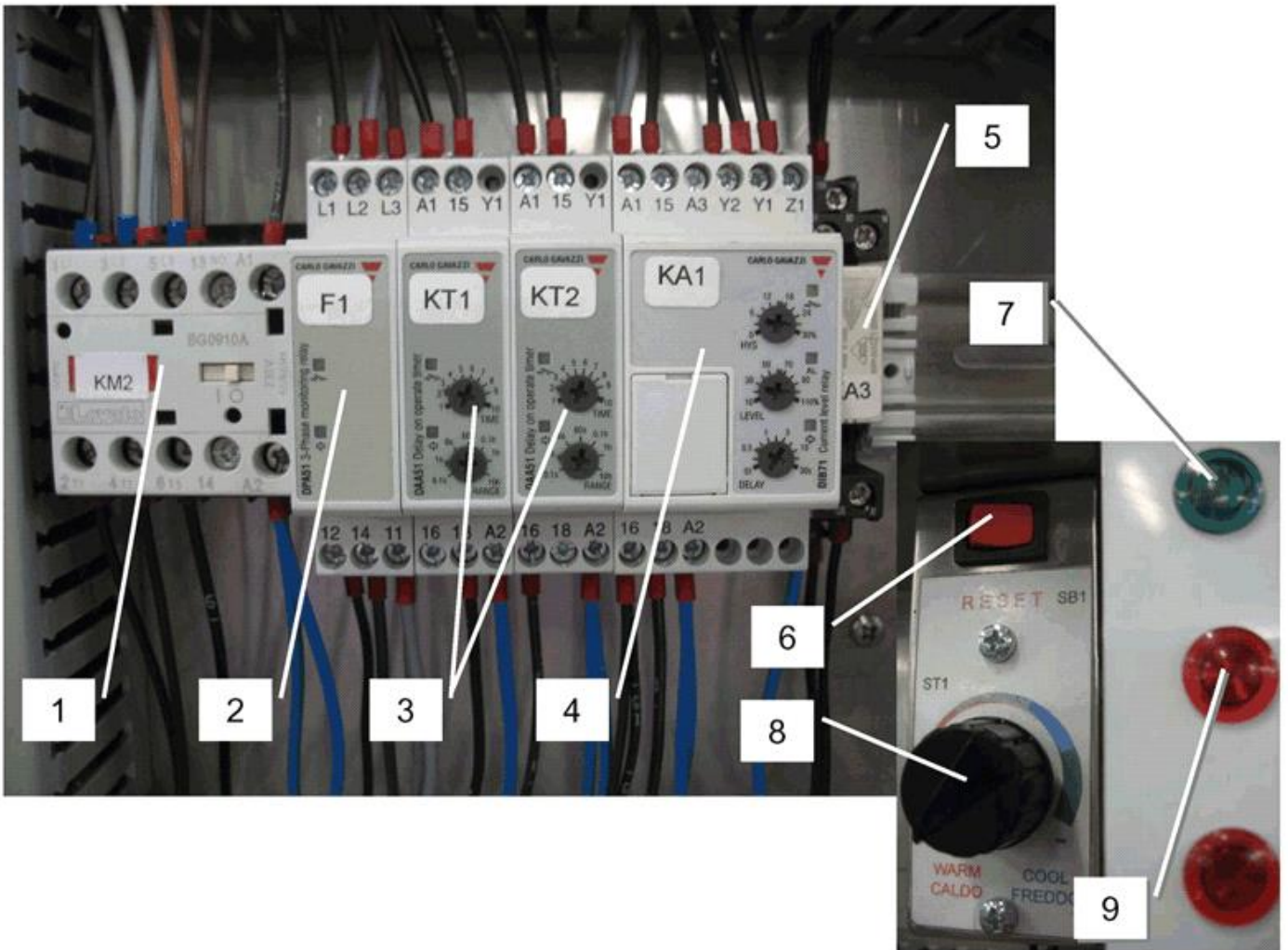
Pos	Code	Description
0001	SC650104 00	FILTER
0001	SC660956 00	WATER IN PLASTIC FITTING
0002	SC651224 04	1/4 F-5/16F CONNECTOR
0003	SC651206 02	1/4 OD NYLON TUBE
0004	SC783159 00	WATER RESERVOIR
0005	SC783160 00	RESERVOIR COVER
0006	SC660957 01	PLASTIC NOZZLE
0007	SC651224 02	T FITTING
0008	SC640100 00	O RING OR 2025 (WRAS-FDA)
0009	SC660585 01	FLOAT VALVE
0010	SC620451 00	PRESSOSTAT
0011	SC281830 00	PLASTIC HOSE
0012	SC610053 03	T FITTING
0013	SC660224 00	TEE TUBE
0014	SC660535 00	PLASTIC NUT
0015	SC610159 04	TUBE
0016	SC650736 00	INSULATION
0017	SC060814 00	BOTTOM SPOUT INSULATION KIT
0018	SC060814 00	BOTTOM SPOUT INSULATION KIT
0019	SC782111 00R	SPOUT BOTTOM ASSY-MFN86
0020	SC795345 00R	SPOUT COVER ASSY-MFN86-88
0021	SC724465 00	LEVA INTERR.MFN86/88 D22
0021	SC724488 00	LEVA INTERR.MFN86/88 D12
0022	SC620396 00	SPOUT SWITCH
0023	SC724372 00	COVER
0024	SC724215 08	NLA
0025	SC400049 06	DADO AUTOBLOCC. M3 INOX





BY EDIPROM  
1502.01

Pos	Code	Description
0001	SC620517 00	GEAR MOTOR ASSY
0002	SC620517 01	HYDR. 80A DRIVE MOTOR
0003	SC650584 00	GASKET
0004	SC660994 00	WATER DRIP TRAY
0005	SC704255 00	GEAR REDUCER SHAFT
0006	SC460043 00	KEY
0007	SC650543 00	COUPLING
0008	SC640108 00	WATER DRIP SHIELD
0009	SC650672 03	USE SC650672 04
0010	SC651295 00	AUGER
0011	SC743144 00	LOW FLANGE
0012	SC640041 24	O RING OR 6975
0013	SC420285 03	SCREW
0014	SC650525 00	SEAL MECH.
0015	SC651062 00	LO BEARING
0016	SC651010 00	WASHER
0017	SC460044 00	SEEGER
0019	SC640041 14	O RING OR 41150 NB70
0020	SC640041 39	O RING
0021	SC420002 21	SCREW M8X30 INOX
0022	SC640041 16	O RING OR 6212 NB 70
0023	SC263612 00	GREASE FOODLUBE UNIVERSAL 2,0 & 000
0023	SC651062 02	TOP BEARING MFN
0024	SC650998 02	S.S. SPACER
0025	SC781502 01	METAL ICE SWEEP
0026	SC420040 01	SCREW M22X80 MM
0027	SC794316 01R	FREEZER ASSY MFNS 86-88



Pos	Code	Description
0001	SC620631 05	CONTACTOR
0002	SC620631 01	PHASE MONITORING RELAY
0003	SC620485 00	DELAY TIMER
0004	SC620529 00	CURRENT RELAY
0005	SC060749 00	KIT RELAY & RELAY SOCKET
0006	SCEQ PULS01	PUSH BUTTON - USE SC620631 08
0007	SCEQ LAMP230VE	GREEN LIGHT
0008	SC620631 02	BIN THERMOSTAT
0009	SCEQ LAMP230RO	WARNING LIGHT - USE SC630091 14