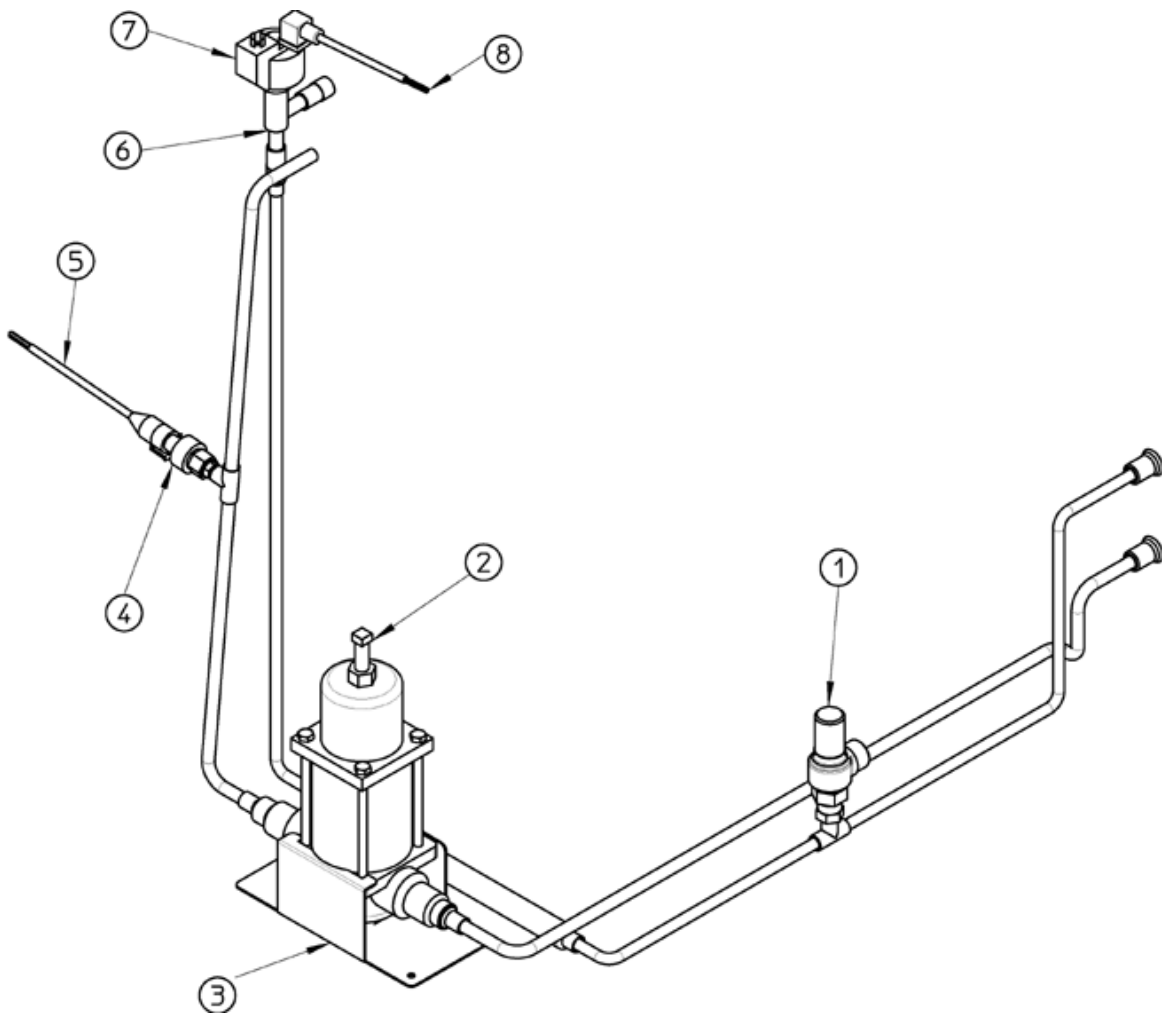
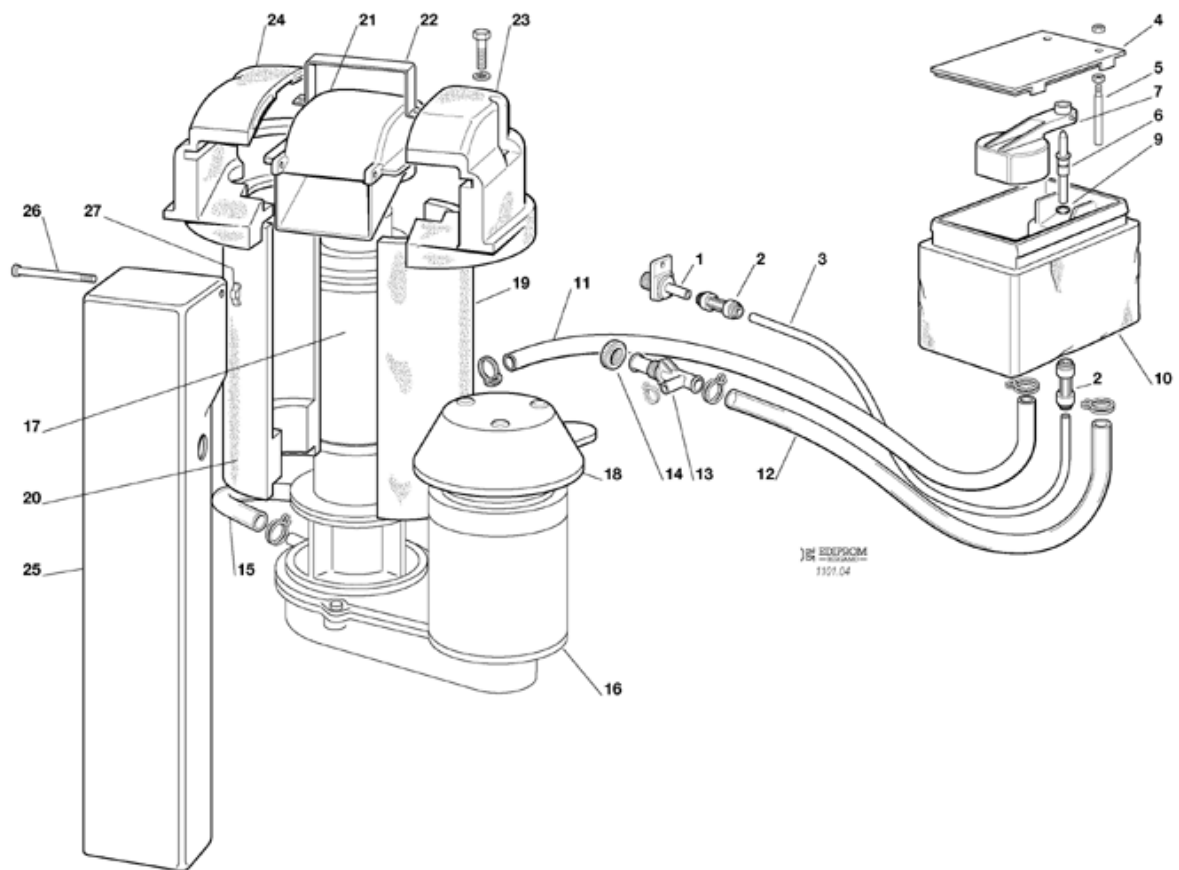


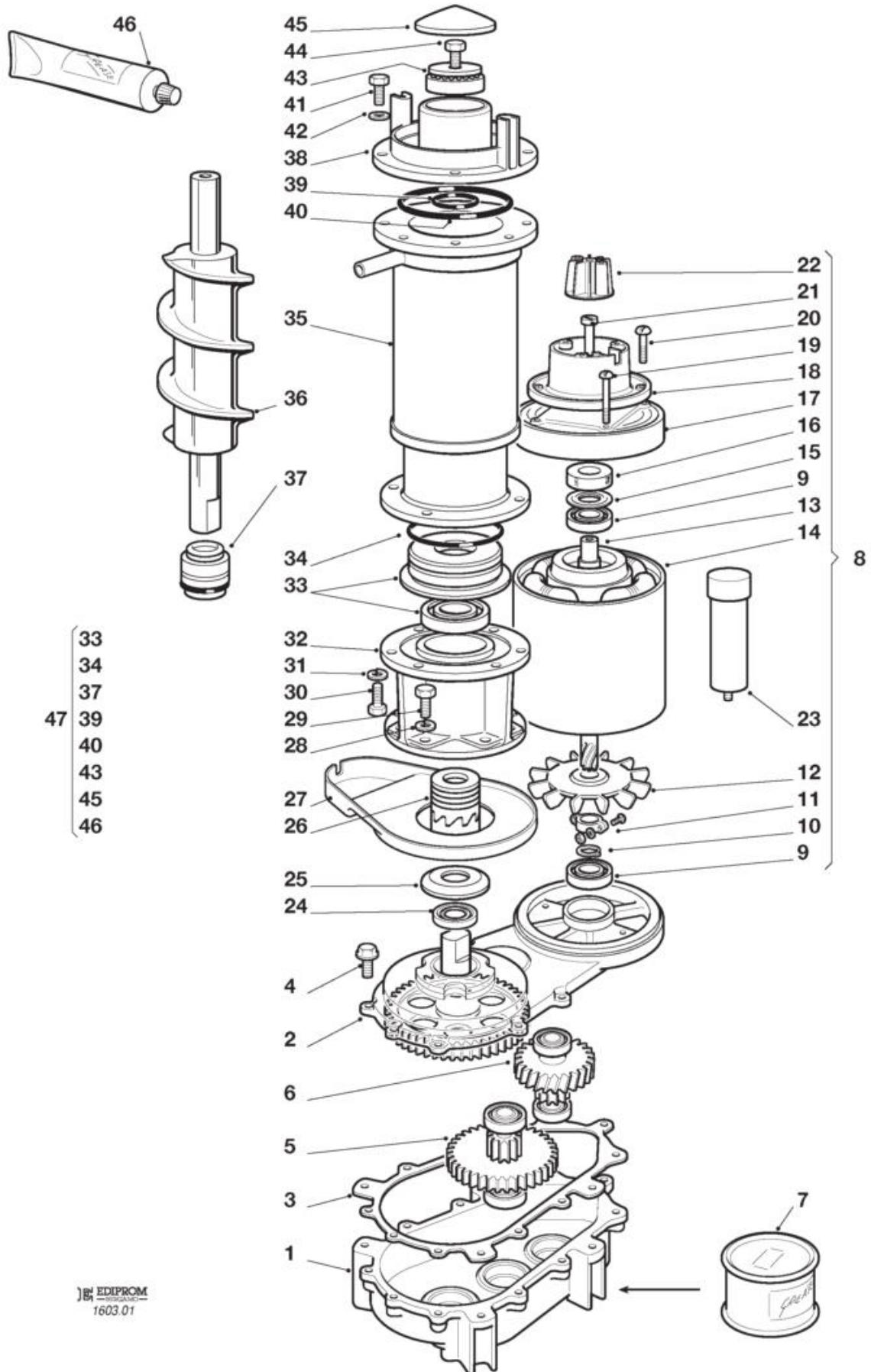
Pos	Code	Description
0001	SC781472 01	FRONT BRACKET
0003	SC702315 03	BRACKET
0004	SC650624 04	LABEL
0004	SC650850 00	SCOTSMAN EMBLEM
0004	SC650905 12	LABEL
0004	SC722270 00	FRONT PANEL
0005	SC722288 00	RIGHT SIDE PANEL
0006	SC722465 00	LEFT SIDE PANEL
0007	SC722290 00	PANNELLO POSTER. MF58/68
0008	SC660867 01	UPPER PANEL



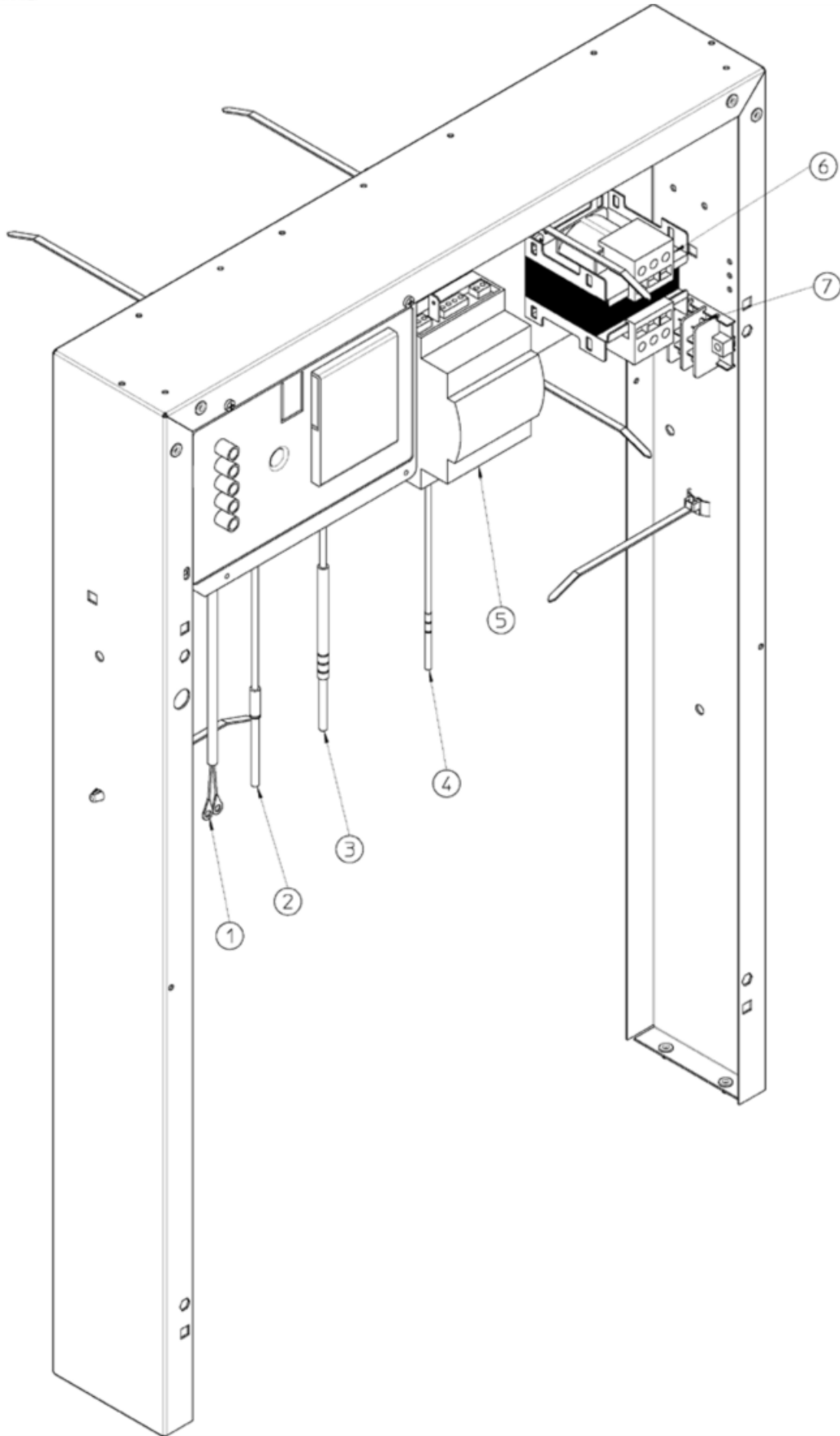
Pos	Code	Description
0001	SC670027 01	SAFETY VALVE - 30 BAR
0001	SC670027 02	SAFETY VALVE - 60 BAR
0002	SC620454 04	EVAP. PRESS. REG. VALVE
0004	SC620525 00	PRESSURE SENSOR
0005	SC620525 01	TRANSDUCER CABLE
0006	SC620524 05	ELECTR. VALVE E2V09CS000 120BAR
0007	SC620524 01	COIL - ELECT. EXP. VALVE
0008	SC620524 02	ELECTR. EXP VALVE CABLE



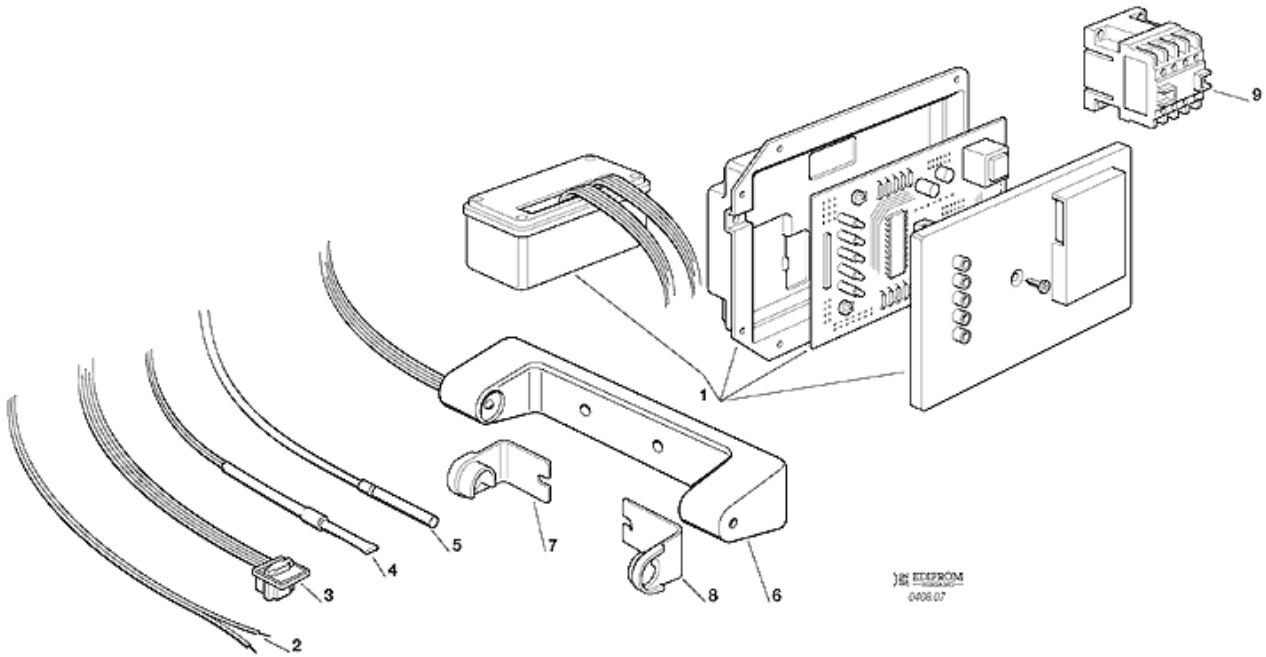
Pos	Code	Description
0001	SC650104 00	FILTER
0001	SC660956 00	WATER IN PLASTIC FITTING
0002	SC651224 04	1/4 F-5/16F CONNECTOR
0003	SC651206 02	1/4 OD NYLON TUBE
0004	SC660363 00	COVER
0005	SC724215 06	WATER LEVEL METAL PIN
0006	SC660957 00	PLASTIC NOZZLE
0007	SC660585 00	FLOAT VALVE
0009	SC640100 00	O RING OR 2025 (WRAS-FDA)
0010	SC660352 00	INSULATION
0010	SC660459 00	WATER RESERVOIR
0011	SC281822 00	PLASTIC HOSE - PER METER
0012	SC281832 00	TUBE
0013	SC660224 00	TEE TUBE
0014	SC660535 00	PLASTIC NUT
0015	SC610171 02	PLASTIC HOSE
0016	SC794344 00R	GEAR REDUCER ASSY-BISON
0017	SC794298 00R	FREEZER ASSY
0018	SC660553 00	GEAR MOTOR COVER
0019	SC060551 06	KIT INSULATION, FREEZER
0020	SC060551 06	KIT INSULATION, FREEZER
0021	SC661028 00	ICE SPOUT
0022	SC725043 01	BRACKET
0023	SC651287 02	ISOL.COLLARE ROMPIGH.MF59
0023	SC651287 03	ISOL.COPERCHIO BOCCH.MF59
0024	SC651287 02	ISOL.COLLARE ROMPIGH.MF59
0024	SC651287 03	ISOL.COPERCHIO BOCCH.MF59
0025	SC660933 03	ICE CHUTE
0026	SC724180 02	TIE ROAD
0027	SC430083 00	WING NUT



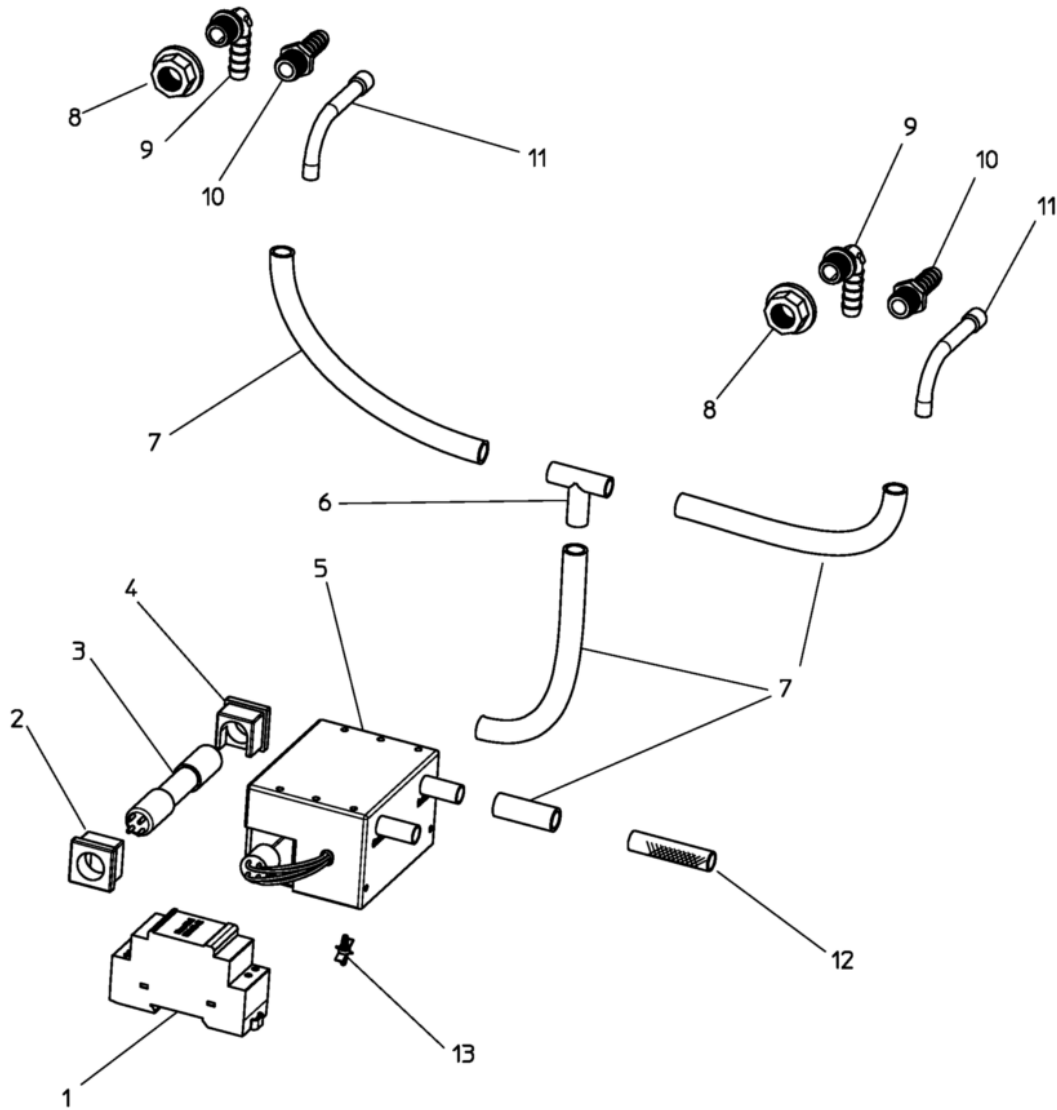
Pos	Code	Description
0001	SC620596 00	GEAR REDUCER ONLY W7OUT OIL
0002	SC620596 00	GEAR REDUCER ONLY W7OUT OIL
0003	SC0A032379 21	GASKET
0004	SC0A032379 26	BOLT
0005	SC0A032379 23	GEAR PINION
0006	SC0A032379 24	GEAR
0007	SC0A032379 27	USE SC060294 05
0008	SC060273 08	BISON GEAR MOTOR 220/50/1
0009	SC651053 04	ROLLER BEARING
0010	SC441800 04	WASHER
0011	SC650341 00	BRACKET
0012	SC650340 00	BLADE
0013	SC794216 01R	ROTOR ASSY (BISON 823)
0014	SC620522 00	STATOR 230V
0015	SC460041 00	RING
0016	SC640095 01	RUBBER INSERT
0017	SC650339 00	MOTOR COVER
0018	SC650515 01	MOTOR COVER
0019	SC400078 00	SCREW
0020	SC420004 00	SCREW
0021	SC422285 01	SCREW
0022	SC784476 01	MGT BRACKET ASSY
0023	SC620520 01	CAPACITOR 10 MFD
0024	SC0A032379 29	SEAL
0025	SC13000709 02	WATER SHED - NLA
0026	SC060359 01	KIT COUPLING MF
0027	SC660755 00	DRIP TRAY
0028	SC440015 04	WASHER
0029	SC429701 00	SCREW
0030	SC420019 00	SCREW
0031	SC440015 04	WASHER
0032	SC764007 01	ALUMINUM ADAPTER
0033	SC060527 01	BOTTOM BEARING/RETAINER
0034	SC640093 00	O RING (WRAS-FDA)
0035	SC784710 02	WORM TUBE-EVAPORATOR
0036	SC640041 01	O RING
0036	SC724198 03	AUGER
0037	SC650402 00	WATER SEAL
0038	SC751005 03	BRASS ICE BREAKER FLANGE
0039	SC640109 00	X RING (WRAS-FDA)
0040	SC784710 02	WORM TUBE-EVAPORATOR
0041	SC420019 00	SCREW
0042	SC440015 04	WASHER
0043	SC651058 00	BEARING
0044	SC423915 00	SCREW
0045	SC660507 00	CUP
0046	SC263612 00	GREASE FOODLUBE UNIVERSAL 2,0 & 000
0047	SC060692 00	KIT BEARING & SEALS



Pos	Code	Description
0001	SC620519 02	WATER SENSOR HARNESS-NTC
0002	SC620519 04	CONDENSER SENSOR NTC
0003	SC620519 01	EVAPORATOR SENSOR NTC
0004	SC620655 00	SENSOR NTC - HF
0005	SC620523 01	DISPLAY, TXV DRIVER
0005	SC620523 02	BATTERY BOARD
0005	SC620523 03	BATTERY
0005	SC620523 04	BATTERY BOARD
0005	SC620523 05	EXP DRIVER - MF 69
0006	SC620505 00	TRANSFORMER 230-12V
0007	SC630114 00	TERMINAL BOARD



Pos	Code	Description
0001	SC620404 20	INTERFACE PC BOARD
0001	SC620462 18	SYEN PC BOARD
0001	SC630015 15	FUSE T6,3A - 250V
0002	SC620519 02	WATER SENSOR HARNESS-NTC
0003	SC620404 03	HALL SENSOR
0004	SC620519 04	CONDENSER SENSOR NTC
0005	SC620519 01	EVAPORATOR SENSOR NTC
0006	SC650674 06	OPTICAL ICE LEVEL CTRL
0007	SC660720 00	PLASTIC PROTECTION LEFT
0008	SC660720 01	PLASTIC PROTECTION RIGHT



Pos	Code	Description
0001	SC620648 00	POWER SUPPLY 12Vcc HDR-30-12
0002	SCR450-06603-1300	OPEN LAMP RUBBER CAP
0003	SC630102 00	BULB FOR XSAFE X-20
0004	SCR450-06603-1200	LAMP RUBBER CUP
0005	SC620649 00	OZONIZER XSAFE X-20
0006	SC660555 00	TEE FITTING
0007	SC281822 02	PLASTIC HOSE - PER METER
0008	SC651757 01	FERRULE 3/8
0009	SC651757 00	ELBOW FITTING 3/8
0010	SC651757 02	STRAIGHT FITTING 3/8
0011	SC734737 00R	OZONE INLET TUBE (COPPER)
0012	SC651760 00	OZONIZER FILTER
0013	SC651758 00	SPACER