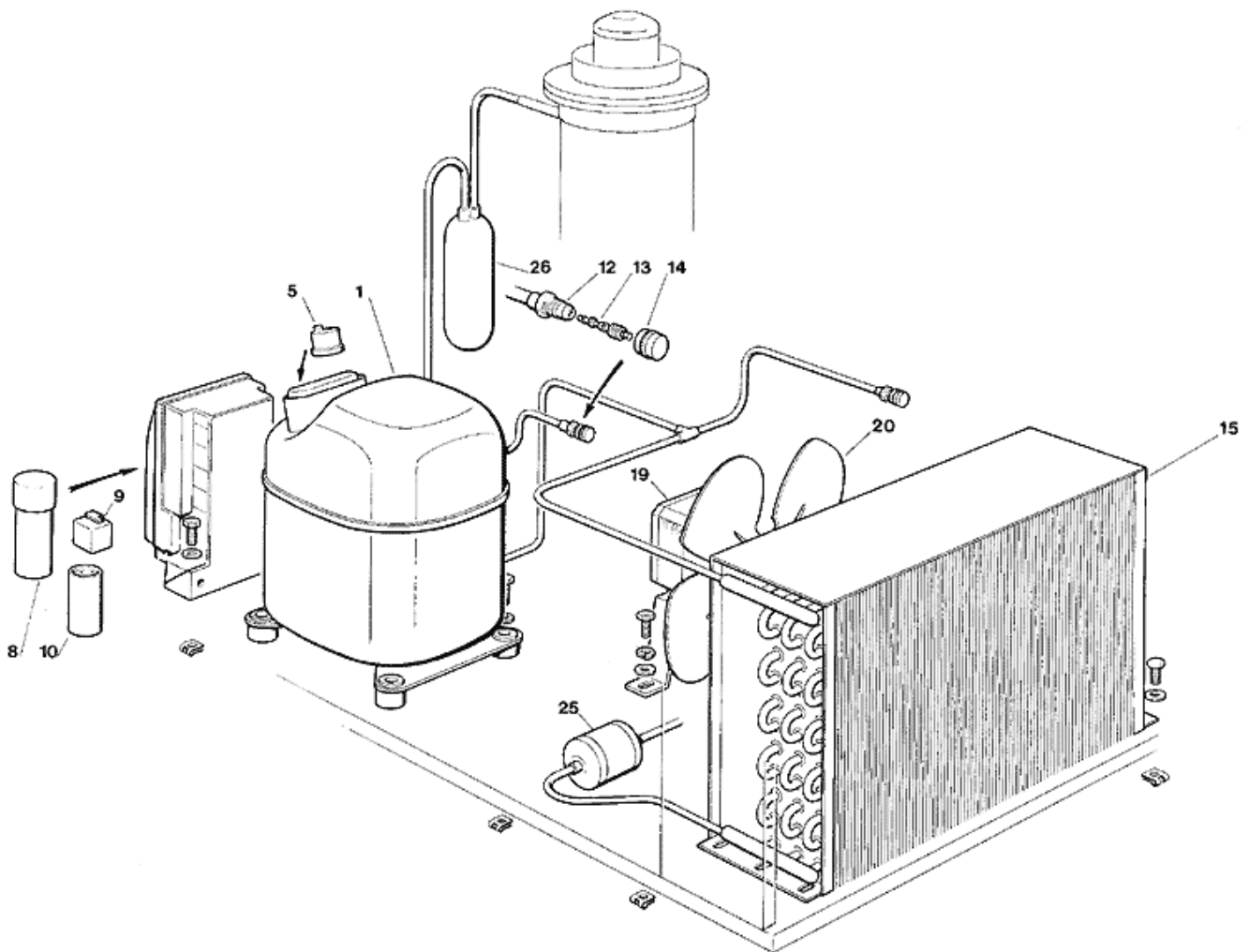
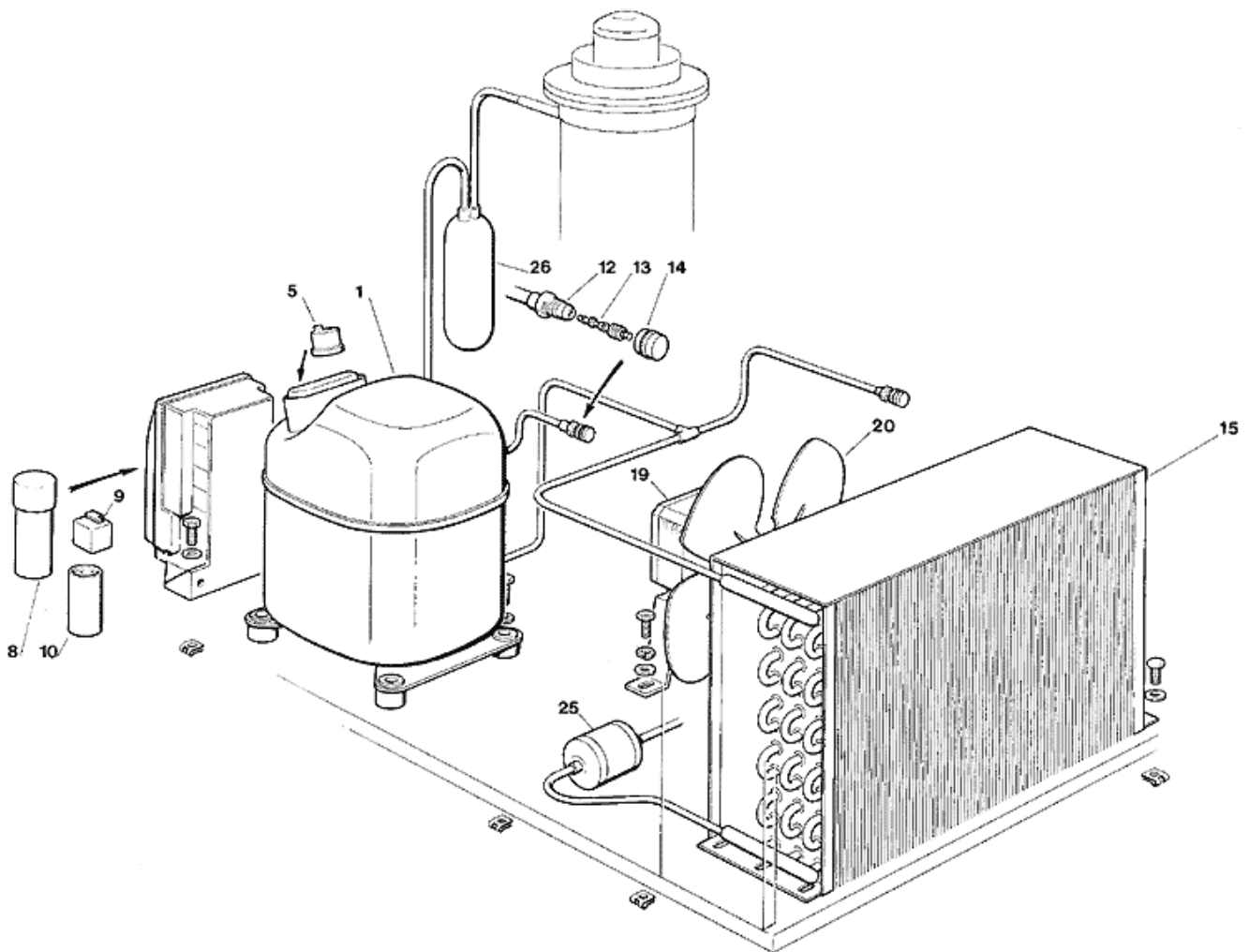


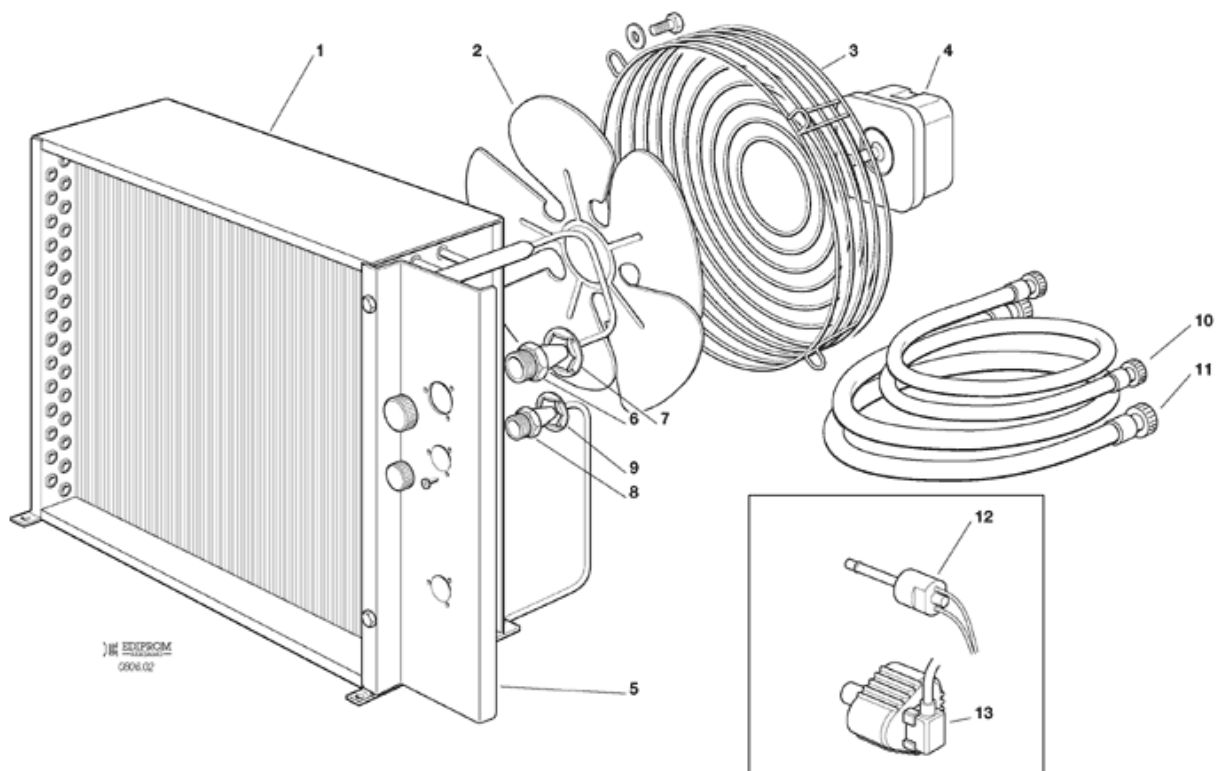
| Pos | Code | Description |
|------|-------------|------------------|
| 0001 | SC781470 01 | UNIT BASE ASSY |
| 0001 | SC781472 01 | FRONT BRACKET |
| 0002 | SC781463 00 | METAL BRACKET |
| 0003 | SC702593 00 | METAL BRACKET |
| 0004 | SC650624 04 | LABEL |
| 0004 | SC650850 00 | SCOTSMAN EMBLEM |
| 0004 | SC650905 12 | LABEL |
| 0004 | SC722270 00 | FRONT PANEL |
| 0005 | SC722271 00 | RIGHT SIDE PANEL |
| 0006 | SC722272 00 | LEFT SIDE PANEL |
| 0007 | SC722273 00 | REAR PANEL |
| 0008 | SC660867 01 | UPPER PANEL |



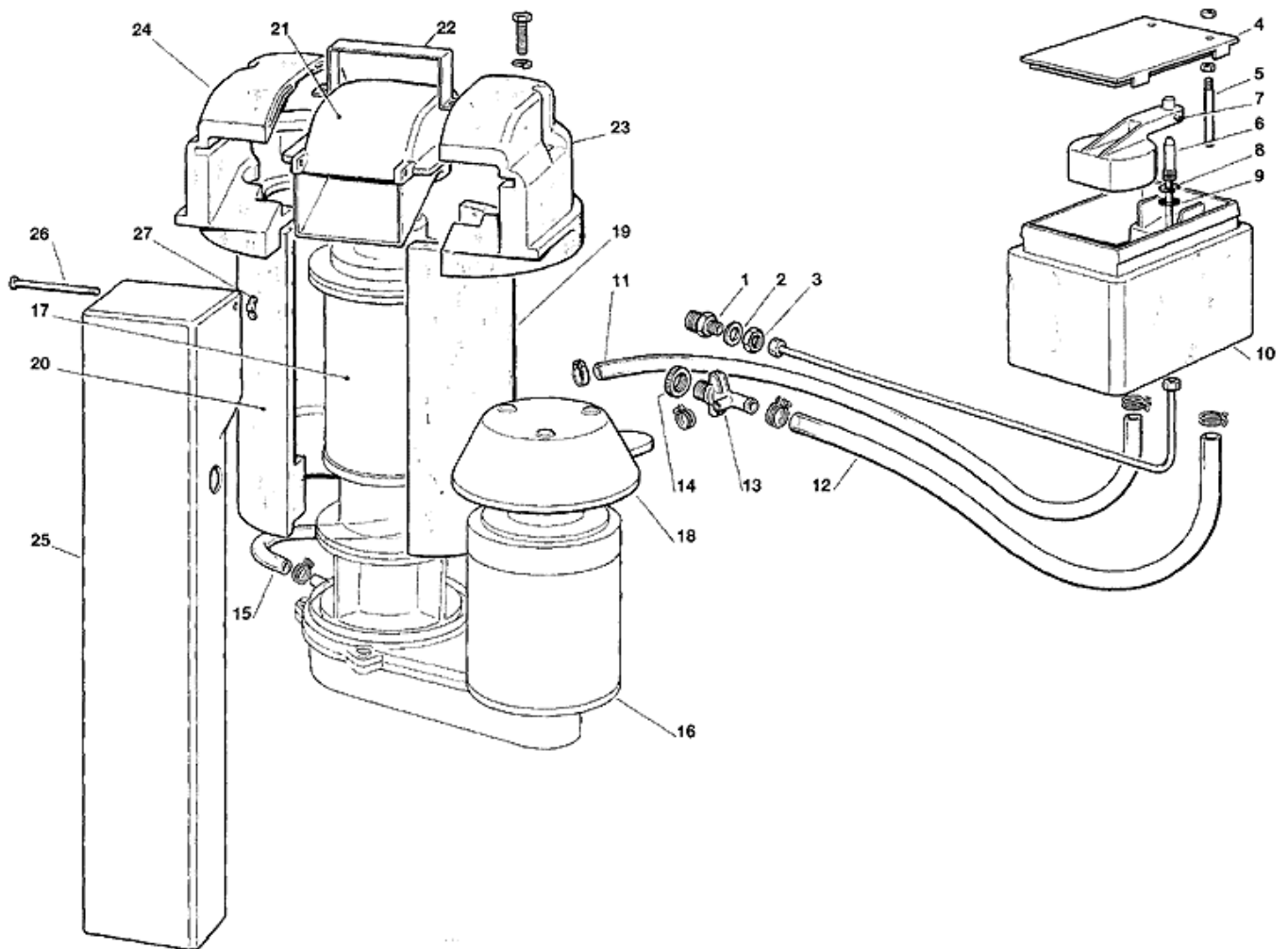
| Pos | Code | Description |
|------|--------------|---|
| 0001 | SC670099 24 | COM.CAJ4519Z 220-240/50(AJ4ZR1JF606A06-M) |
| 0001 | SC670099 25 | C.CAJ4519ZF1208-220/60(AJ4ZR1HF606A06-M) |
| 0001 | SC670099 29 | COMP.TAJ4519ZF1400/50 (AJ4ZR1TF606A10-M) |
| 0005 | SC620058 57 | PROTECTOR - 8571651 |
| 0005 | SC620058 58 | PROTECTOR (COD.8670200) |
| 0005 | SC620058 85 | PROTECTOR - 8571655 |
| 0008 | SC620167 54 | RUN CAPACITOR 450V |
| 0009 | SC620057 47 | RELAY - 8565400 |
| 0009 | SC620057 54 | RELAY 8565105 |
| 0010 | SC620167 00 | START.CAP. - 8640162 |
| 0012 | SC650109 00 | VALVE BODY |
| 0013 | SC670012 00 | VALVE CORE |
| 0014 | SC650106 00 | CAP |
| 0025 | SC670006 01 | FILTER |
| 0026 | SC784450 03R | SUCTION LINE/ACCUMULATOR |



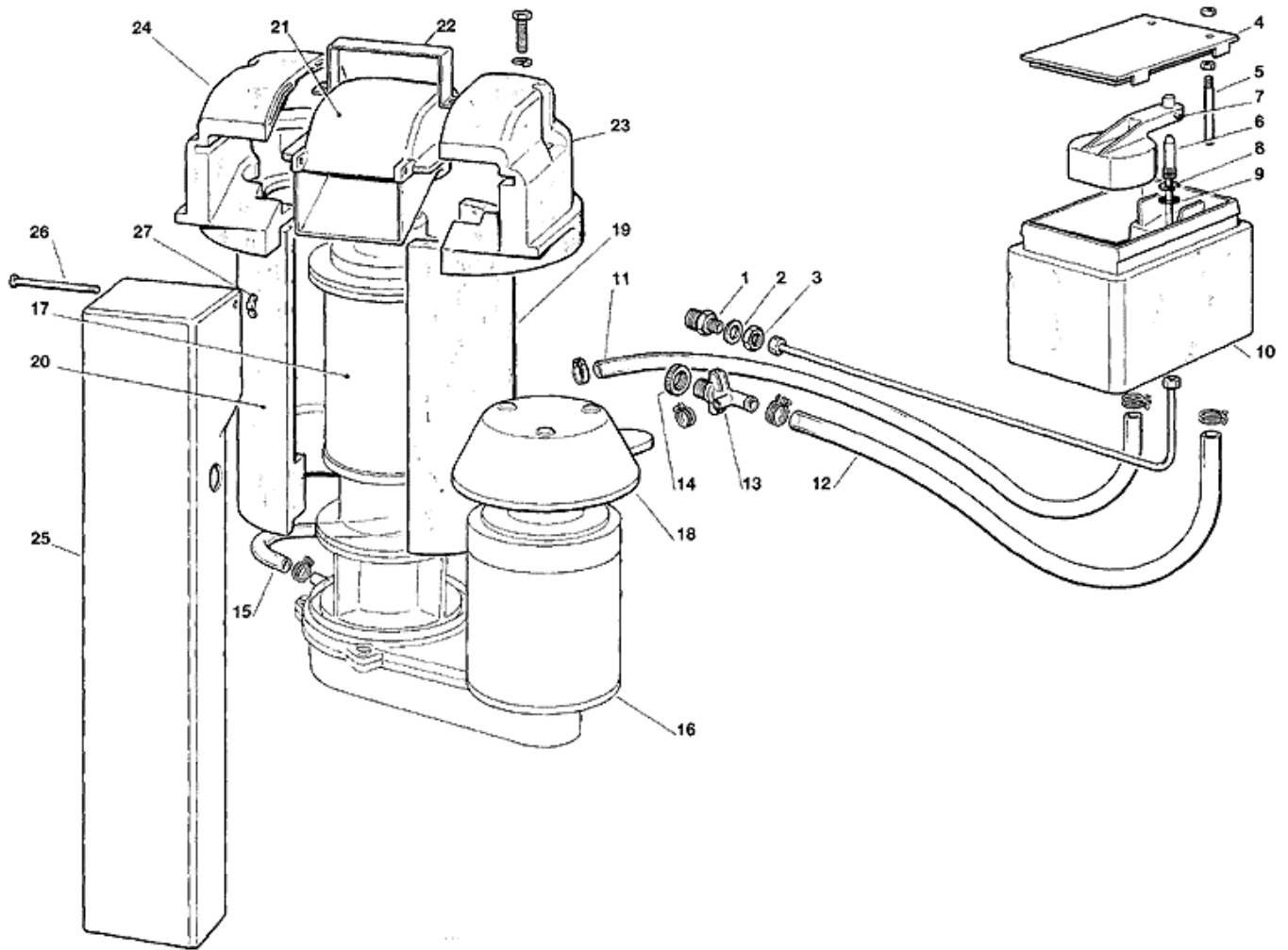
| Pos | Code | Description |
|------|--------------|--|
| 0001 | SC630144 00 | CRANCKASE HEATER - 8583035 |
| 0001 | SC670098 05 | USE SC670115 05 |
| 0001 | SC670098 07 | COMPR. FH2480Z 220-240/50/1 Scat. JUNIOR |
| 0001 | SC670099 25 | C.CAJ4519ZF1208-220/60(AJ4ZR1HF606A06-M) |
| 0005 | SC620058 85 | PROTECTOR - 8571655 |
| 0008 | SC620167 16 | CAPACITOR - 8545105 |
| 0009 | SC620057 54 | RELAY 8565105 |
| 0009 | SC620057 62 | RELAY - 8565172 |
| 0010 | SC620167 00 | START.CAP. - 8640162 |
| 0010 | SC620167 48 | START CAPACITOR 330V |
| 0012 | SC650109 00 | VALVE BODY |
| 0013 | SC670012 00 | VALVE CORE |
| 0014 | SC650106 00 | CAP |
| 0025 | SC670006 01 | FILTER |
| 0026 | SC784450 03R | SUCTION LINE/ACCUMULATOR |



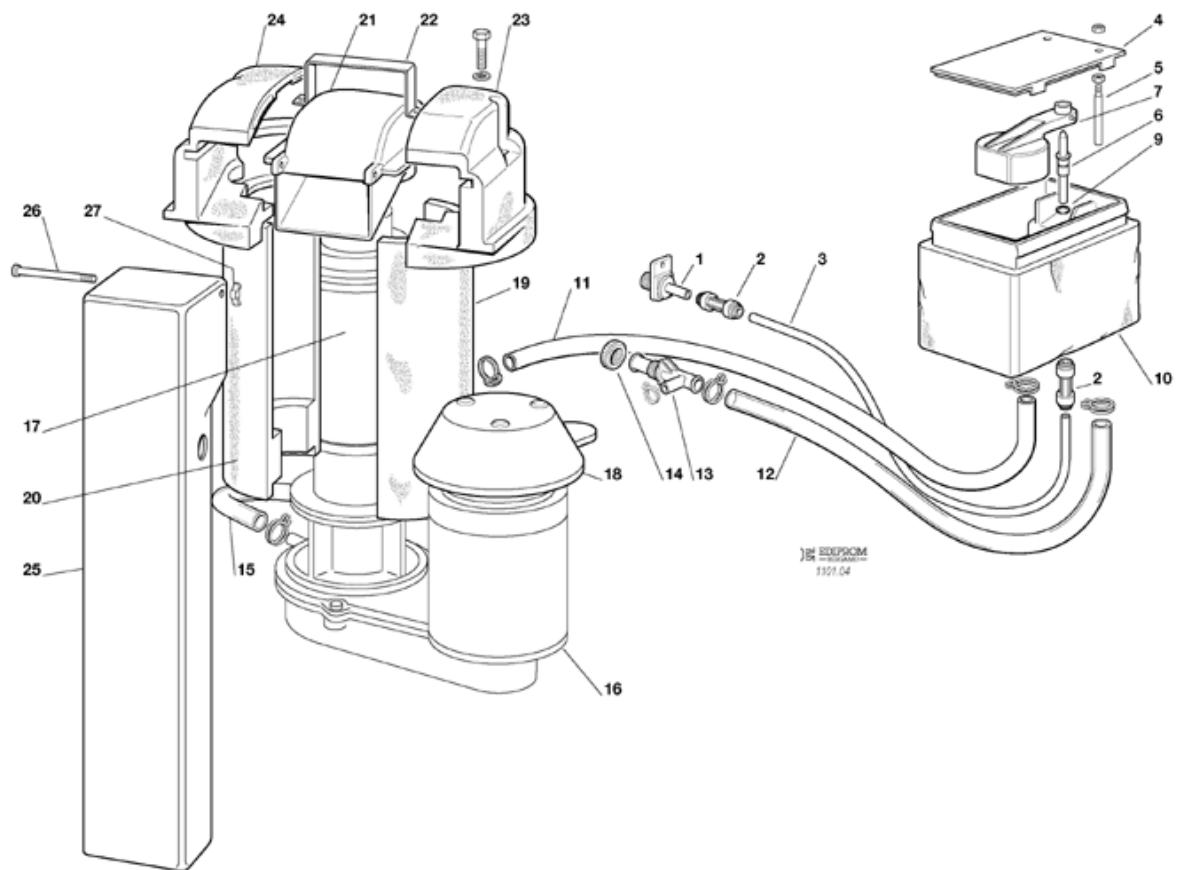
| Pos | Code | Description |
|------|-------------|---------------------------|
| 0001 | SC620418 00 | AIR COOLED CONDENSER |
| 0002 | SC001028 30 | MOTOR N BLADE ASSY-330 MM |
| 0003 | SC001028 30 | MOTOR N BLADE ASSY-330 MM |
| 0004 | SC001028 30 | MOTOR N BLADE ASSY-330 MM |
| 0004 | SC001028 32 | MOT. N BLADE-350 MM |
| 0006 | SC650438 01 | MALE FITTING |
| 0007 | SC650441 00 | FLANGE 150/22/8 |
| 0008 | SC650438 01 | MALE FITTING |
| 0009 | SC650441 00 | FLANGE 150/22/8 |
| 0010 | SC650437 01 | FEMALE FITTING |
| 0011 | SC650437 02 | HALF COUPLING FEMALE |
| 0012 | SC620498 00 | HI PRESSURE CTRL SAFETY |
| 0013 | SC620500 00 | SPEED CONTROL |



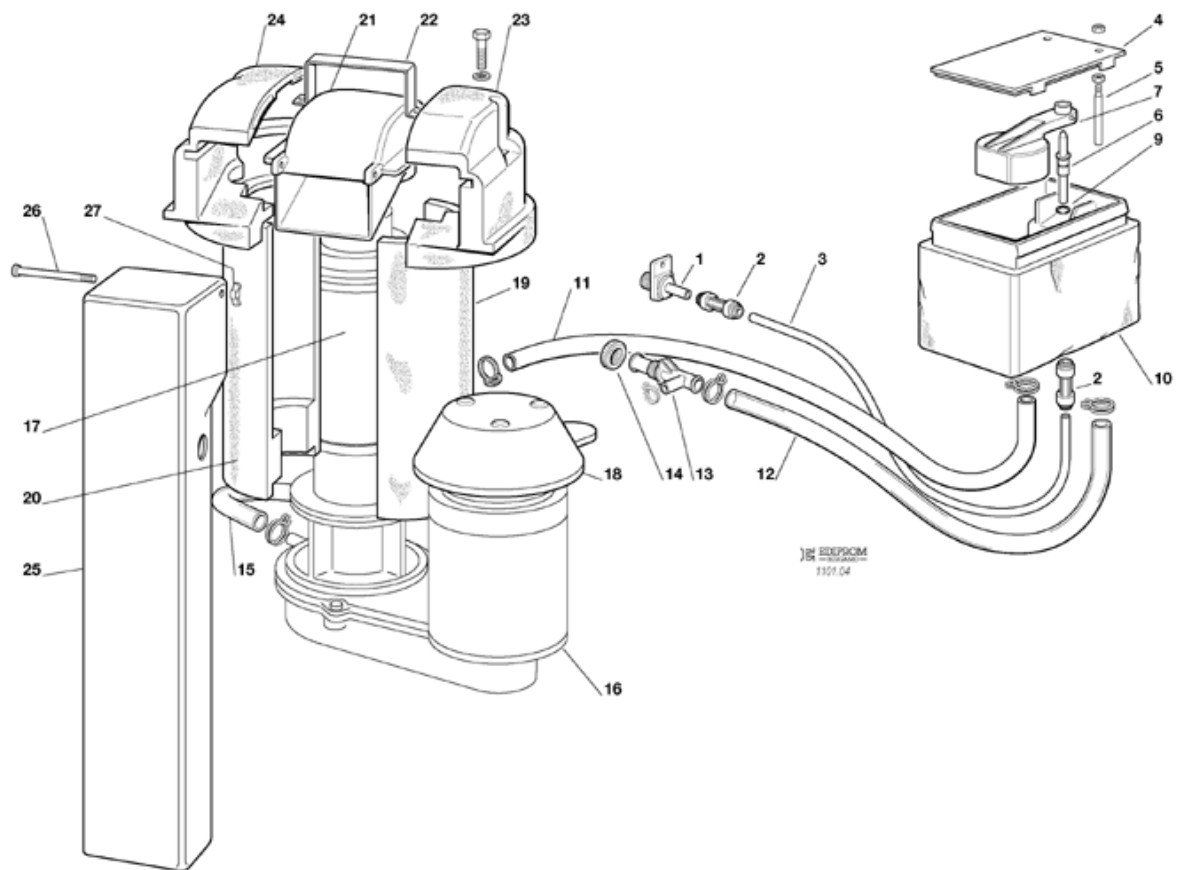
| Pos | Code | Description |
|------|--------------|---------------------------|
| 0002 | SC400031 00 | WASHER |
| 0003 | SC400030 01 | NUT |
| 0004 | SC660363 00 | COVER |
| 0005 | SC724215 06 | WATER LEVEL METAL PIN |
| 0006 | SC060742 00 | WATER NOZZLE RETROFIT KIT |
| 0007 | SC660585 00 | FLOAT VALVE |
| 0008 | SC460038 02 | RETAINING CLIP |
| 0009 | SC640100 00 | O RING OR 2025 (WRAS-FDA) |
| 0010 | SC793126 01 | WATER RESERVOIR |
| 0011 | SC281822 00 | PLASTIC HOSE - PER METER |
| 0012 | SC281832 00 | TUBE |
| 0013 | SC660224 00 | TEE TUBE |
| 0014 | SC660535 00 | PLASTIC NUT |
| 0015 | SC610171 02 | PLASTIC HOSE |
| 0016 | SC794344 00R | GEAR REDUCER ASSY-BISON |
| 0017 | SC794298 00R | FREEZER ASSY |
| 0018 | SC660553 00 | GEAR MOTOR COVER |
| 0019 | SC060551 06 | KIT INSULATION, FREEZER |
| 0020 | SC060551 06 | KIT INSULATION, FREEZER |
| 0021 | SC661028 00 | ICE SPOUT |
| 0022 | SC725043 01 | BRACKET |
| 0023 | SC060551 01 | KIT INSULATION, SPOUT |
| 0024 | SC060551 01 | KIT INSULATION, SPOUT |
| 0025 | SC660573 07 | NO LONGER AVAILABLE |
| 0026 | SC724180 02 | TIE ROAD |
| 0027 | SC430083 00 | WING NUT |



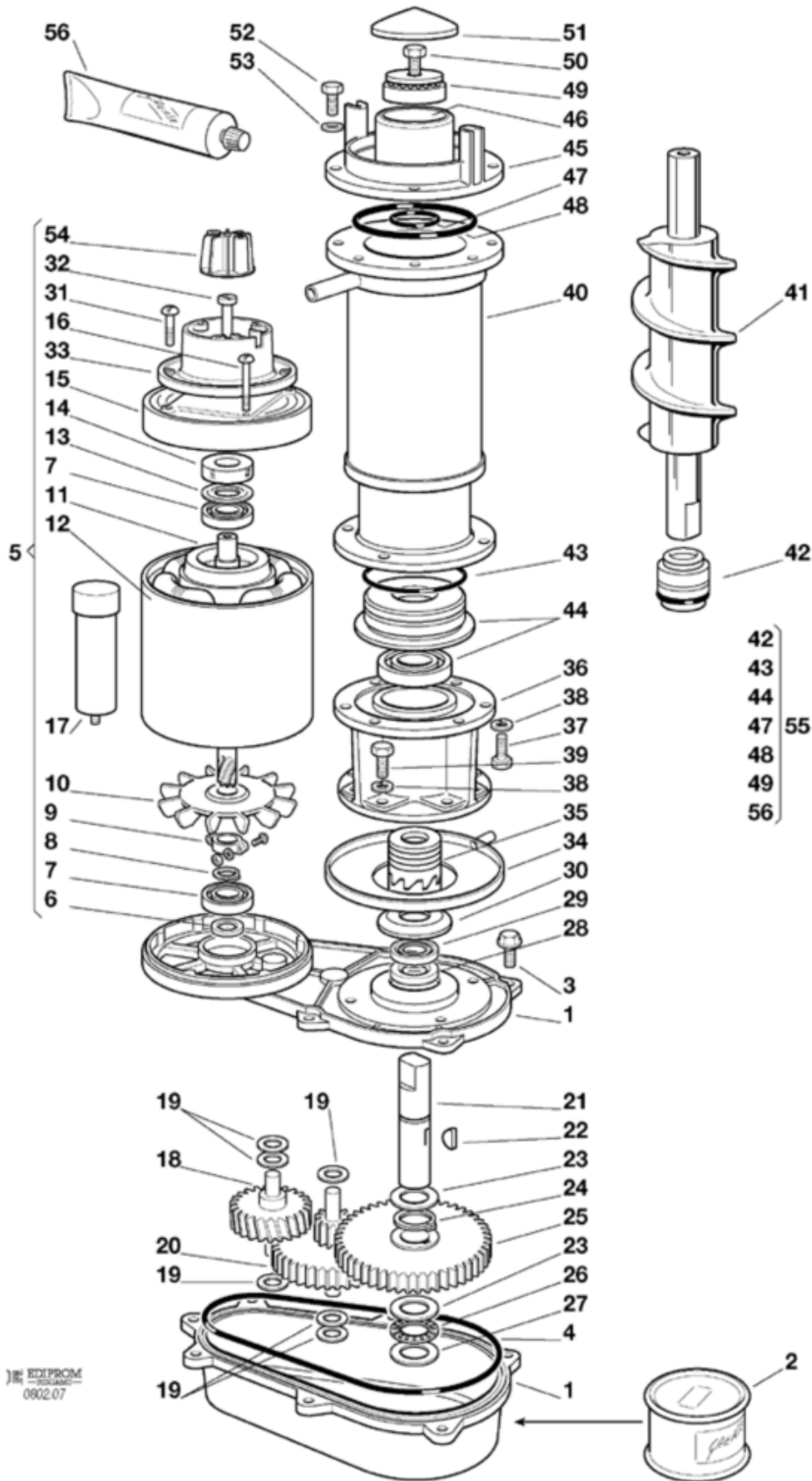
| Pos | Code | Description |
|------|--------------|---------------------------|
| 0002 | SC400031 00 | WASHER |
| 0003 | SC400030 01 | NUT |
| 0004 | SC660363 00 | COVER |
| 0005 | SC724215 06 | WATER LEVEL METAL PIN |
| 0006 | SC060742 00 | WATER NOZZLE RETROFIT KIT |
| 0007 | SC660585 00 | FLOAT VALVE |
| 0008 | SC460038 02 | RETAINING CLIP |
| 0009 | SC640100 00 | O RING OR 2025 (WRAS-FDA) |
| 0010 | SC793126 01 | WATER RESERVOIR |
| 0011 | SC281822 00 | PLASTIC HOSE - PER METER |
| 0012 | SC281832 00 | TUBE |
| 0013 | SC660224 00 | TEE TUBE |
| 0014 | SC660535 00 | PLASTIC NUT |
| 0015 | SC610171 02 | PLASTIC HOSE |
| 0016 | SC794344 00R | GEAR REDUCER ASSY-BISON |
| 0017 | SC794298 00R | FREEZER ASSY |
| 0018 | SC660553 00 | GEAR MOTOR COVER |
| 0019 | SC060551 06 | KIT INSULATION, FREEZER |
| 0020 | SC060551 06 | KIT INSULATION, FREEZER |
| 0021 | SC661028 00 | ICE SPOUT |
| 0022 | SC725043 01 | BRACKET |
| 0023 | SC060551 01 | KIT INSULATION, SPOUT |
| 0024 | SC060551 01 | KIT INSULATION, SPOUT |
| 0025 | SC660933 03 | ICE CHUTE |
| 0026 | SC724180 02 | TIE ROAD |
| 0027 | SC430083 00 | WING NUT |



| Pos | Code | Description |
|------|--------------|---------------------------|
| 0001 | SC650104 00 | FILTER |
| 0001 | SC660956 00 | WATER IN PLASTIC FITTING |
| 0002 | SC651224 04 | 1/4 F-5/16F CONNECTOR |
| 0003 | SC651206 02 | 1/4 OD NYLON TUBE |
| 0004 | SC660363 00 | COVER |
| 0005 | SC724215 06 | WATER LEVEL METAL PIN |
| 0006 | SC660957 00 | PLASTIC NOZZLE |
| 0007 | SC660585 00 | FLOAT VALVE |
| 0009 | SC640100 00 | O RING OR 2025 (WRAS-FDA) |
| 0010 | SC660352 00 | INSULATION |
| 0010 | SC660459 00 | WATER RESERVOIR |
| 0011 | SC281822 00 | PLASTIC HOSE - PER METER |
| 0012 | SC281832 00 | TUBE |
| 0013 | SC660224 00 | TEE TUBE |
| 0014 | SC660535 00 | PLASTIC NUT |
| 0015 | SC610171 02 | PLASTIC HOSE |
| 0016 | SC794344 00R | GEAR REDUCER ASSY-BISON |
| 0017 | SC794298 00R | FREEZER ASSY |
| 0018 | SC660553 00 | GEAR MOTOR COVER |
| 0019 | SC060551 06 | KIT INSULATION, FREEZER |
| 0020 | SC060551 06 | KIT INSULATION, FREEZER |
| 0021 | SC661028 00 | ICE SPOUT |
| 0022 | SC725043 01 | BRACKET |
| 0023 | SC060551 01 | KIT INSULATION, SPOUT |
| 0024 | SC060551 01 | KIT INSULATION, SPOUT |
| 0025 | SC660933 03 | ICE CHUTE |
| 0026 | SC724180 02 | TIE ROAD |
| 0027 | SC430083 00 | WING NUT |



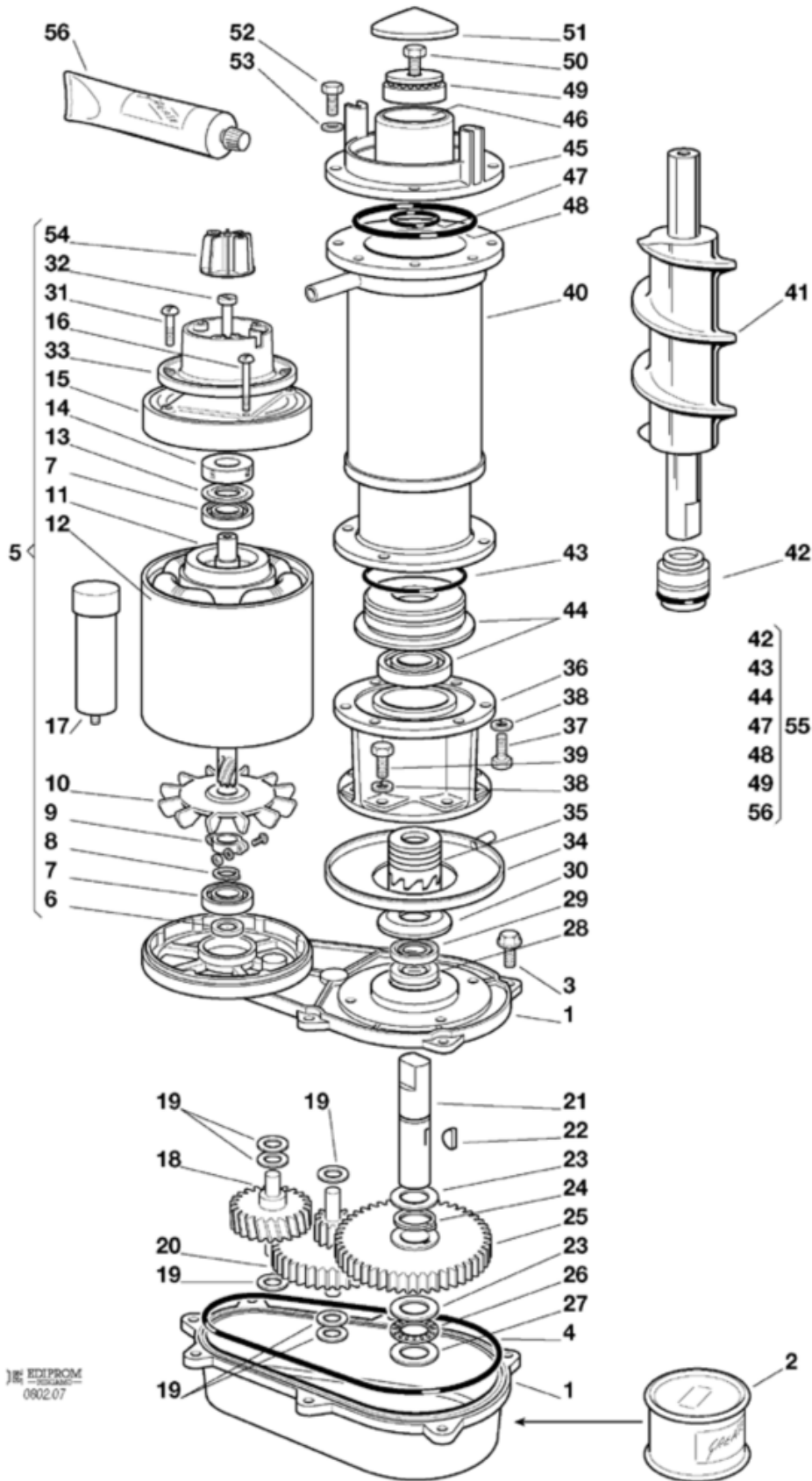
| Pos | Code | Description |
|------|--------------|---------------------------|
| 0001 | SC650104 00 | FILTER |
| 0001 | SC660956 00 | WATER IN PLASTIC FITTING |
| 0002 | SC651224 04 | 1/4 F-5/16F CONNECTOR |
| 0003 | SC651206 02 | 1/4 OD NYLON TUBE |
| 0004 | SC660363 00 | COVER |
| 0005 | SC724215 06 | WATER LEVEL METAL PIN |
| 0006 | SC660957 00 | PLASTIC NOZZLE |
| 0007 | SC660585 00 | FLOAT VALVE |
| 0009 | SC640100 00 | O RING OR 2025 (WRAS-FDA) |
| 0010 | SC660352 00 | INSULATION |
| 0010 | SC660459 00 | WATER RESERVOIR |
| 0011 | SC281822 00 | PLASTIC HOSE - PER METER |
| 0012 | SC281832 00 | TUBE |
| 0013 | SC660224 00 | TEE TUBE |
| 0014 | SC660535 00 | PLASTIC NUT |
| 0015 | SC610171 02 | PLASTIC HOSE |
| 0016 | SC794344 00R | GEAR REDUCER ASSY-BISON |
| 0017 | SC794298 00R | FREEZER ASSY |
| 0018 | SC660553 00 | GEAR MOTOR COVER |
| 0019 | SC060551 06 | KIT INSULATION, FREEZER |
| 0020 | SC060551 06 | KIT INSULATION, FREEZER |
| 0021 | SC661028 00 | ICE SPOUT |
| 0022 | SC725043 01 | BRACKET |
| 0023 | SC060551 01 | KIT INSULATION, SPOUT |
| 0024 | SC060551 01 | KIT INSULATION, SPOUT |
| 0025 | SC660933 03 | ICE CHUTE |
| 0026 | SC724180 02 | TIE ROAD |
| 0027 | SC430083 00 | WING NUT |



EDIPROM
0802.07

| Pos | Code | Description |
|------|---------------|-------------------------------------|
| 0001 | SC794344 00R | GEAR REDUCER ASSY-BISON |
| 0002 | SC060294 04 | GEAR REDUCER GREASE 0,5KG |
| 0003 | SC03001251 01 | FLANGE SCREW |
| 0004 | SC13000617 38 | O RING |
| 0005 | SC060273 06 | MOTOR ONLY MFB - NLA |
| 0006 | SC02001606 00 | OIL SEAL |
| 0007 | SC651053 04 | ROLLER BEARING |
| 0008 | SC441800 04 | WASHER |
| 0009 | SC650341 00 | BRACKET |
| 0010 | SC650340 00 | BLADE |
| 0011 | SC794216 00R | NO LONGER AVAILABLE |
| 0012 | SC620522 00 | STATOR 230V |
| 0013 | SC460041 00 | RING |
| 0014 | SC640095 01 | RUBBER INSERT |
| 0015 | SC650339 00 | MOTOR COVER |
| 0016 | SC400078 00 | SCREW |
| 0017 | SC620520 01 | CAPACITOR 10 MFD |
| 0018 | SC651156 00 | GEAR |
| 0019 | SC03001408 24 | WASHER - NLA |
| 0020 | SC651157 00 | GEAR |
| 0021 | SC651159 00 | SHAFT |
| 0022 | SC03001364 00 | TANG |
| 0023 | SC02001681 00 | TRUST WASHER |
| 0024 | SC03001363 00 | RETAINING RING - NLA |
| 0025 | SC651158 00 | GEAR |
| 0026 | SC02001680 00 | BEARING - NLA |
| 0027 | SC02001679 00 | THRUST WASHER |
| 0028 | SC02001607 01 | GASKET |
| 0029 | SC02002853 01 | OIL SEAL |
| 0030 | SC13000709 02 | WATER SHED - NLA |
| 0031 | SC400078 00 | SCREW |
| 0032 | SC03001403 77 | PANHEAD MACHINE SCREW |
| 0033 | SC650515 01 | MOTOR COVER |
| 0034 | SC640000 00 | GASKET |
| 0034 | SC660755 00 | DRIP TRAY |
| 0035 | SC060359 01 | KIT COUPLING MF |
| 0036 | SC764007 01 | ALUMINUM ADAPTER |
| 0037 | SC420019 00 | SCREW |
| 0038 | SC440015 04 | WASHER |
| 0039 | SC429701 00 | SCREW |
| 0040 | SC784456 04R | TURNED EVAPOR. ASSY MF-56/66 NGT |
| 0041 | SC724198 03 | AUGER |
| 0042 | SC650402 00 | WATER SEAL |
| 0043 | SC640093 00 | O RING (WRAS-FDA) |
| 0044 | SC060688 00 | BOTTOM BEARING/RETAINER |
| 0045 | SC751005 03 | BRASS ICE BREAKER FLANGE |
| 0046 | SC263612 00 | GREASE FOODLUBE UNIVERSAL 2,0 & 000 |
| 0047 | SC640109 00 | X RING (WRAS-FDA) |
| 0048 | SC640093 03 | O RING (WRAS-FDA) |
| 0049 | SC651058 00 | BEARING |

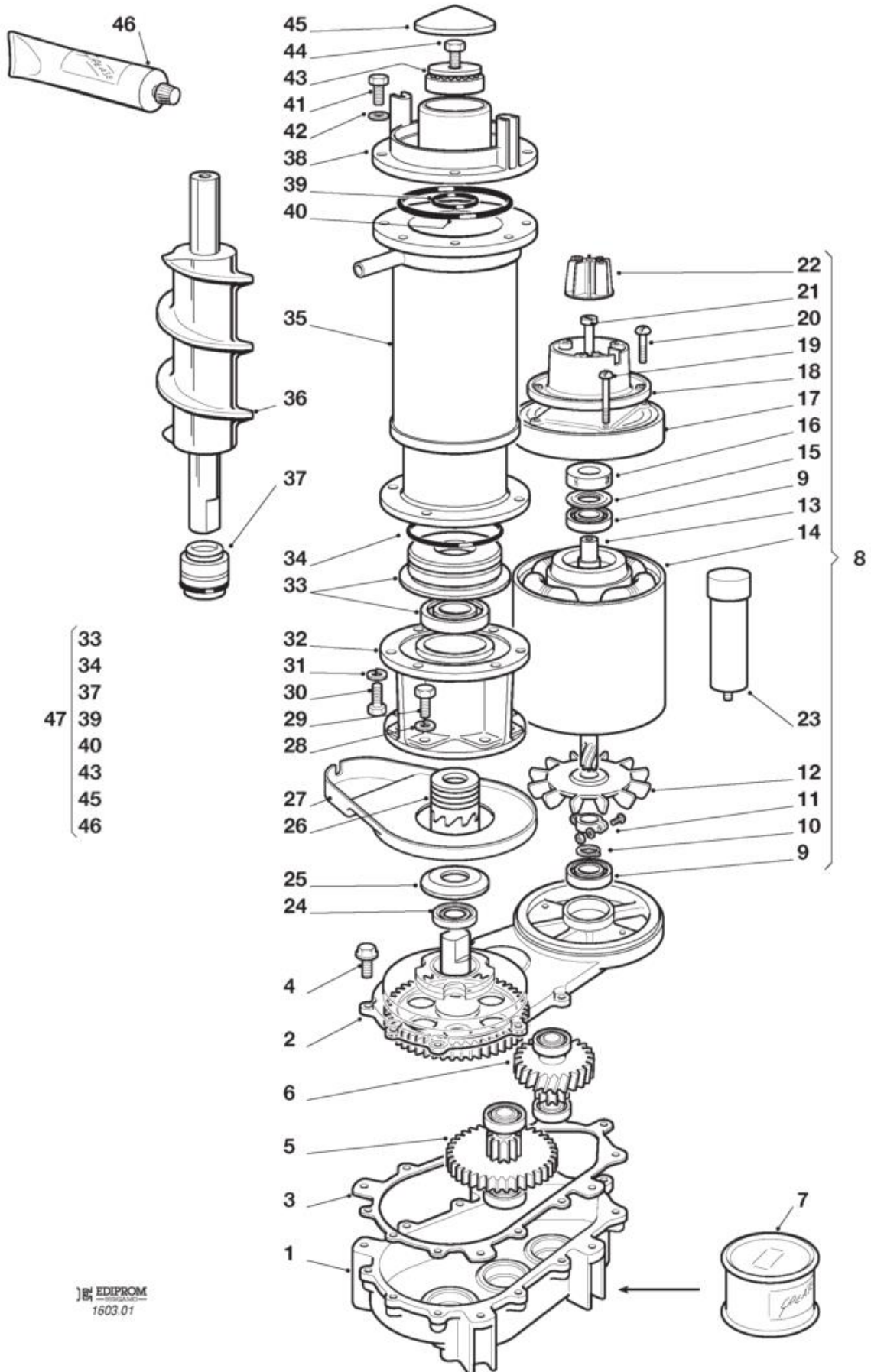
| Pos | Code | Description |
|------|-------------|-------------------------------------|
| 0050 | SC423915 00 | SCREW |
| 0051 | SC660507 00 | CUP |
| 0052 | SC420019 00 | SCREW |
| 0053 | SC440015 04 | WASHER |
| 0054 | SC784476 01 | MGT BRACKET ASSY |
| 0055 | SC060692 01 | KIT BEARINGS & WATER SEAL |
| 0056 | SC263612 00 | GREASE FOODLUBE UNIVERSAL 2,0 & 000 |



EDIPROM
0802.07

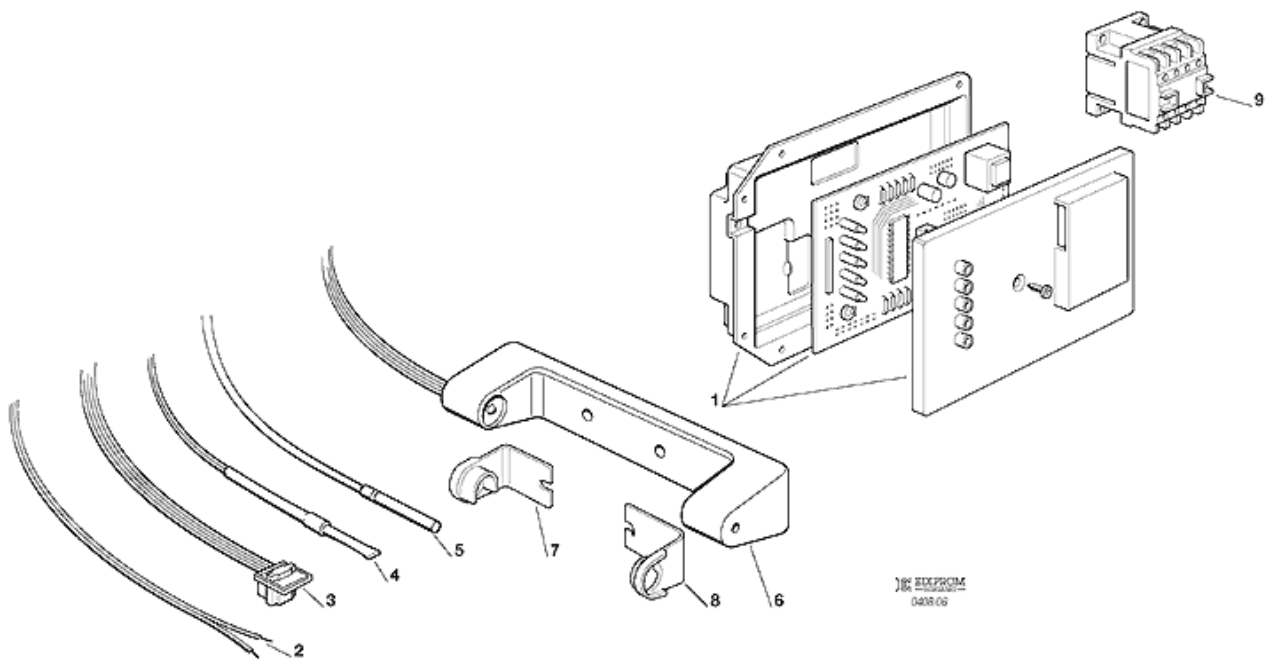
| Pos | Code | Description |
|------|---------------|-------------------------------------|
| 0001 | SC794344 00R | GEAR REDUCER ASSY-BISON |
| 0002 | SC060294 04 | GEAR REDUCER GREASE 0,5KG |
| 0003 | SC03001251 01 | FLANGE SCREW |
| 0004 | SC13000617 38 | O RING |
| 0005 | SC060273 06 | MOTOR ONLY MFB - NLA |
| 0006 | SC02001606 00 | OIL SEAL |
| 0007 | SC651053 04 | ROLLER BEARING |
| 0008 | SC441800 04 | WASHER |
| 0009 | SC650341 00 | BRACKET |
| 0010 | SC650340 00 | BLADE |
| 0011 | SC794216 00R | NO LONGER AVAILABLE |
| 0012 | SC620522 00 | STATOR 230V |
| 0013 | SC460041 00 | RING |
| 0014 | SC640095 01 | RUBBER INSERT |
| 0015 | SC650339 00 | MOTOR COVER |
| 0016 | SC400078 00 | SCREW |
| 0017 | SC620520 01 | CAPACITOR 10 MFD |
| 0018 | SC651156 00 | GEAR |
| 0019 | SC03001408 24 | WASHER - NLA |
| 0020 | SC651157 00 | GEAR |
| 0021 | SC651159 00 | SHAFT |
| 0022 | SC03001364 00 | TANG |
| 0023 | SC02001681 00 | TRUST WASHER |
| 0024 | SC03001363 00 | RETAINING RING - NLA |
| 0025 | SC651158 00 | GEAR |
| 0026 | SC02001680 00 | BEARING - NLA |
| 0027 | SC02001679 00 | THRUST WASHER |
| 0028 | SC02001607 01 | GASKET |
| 0029 | SC02002853 01 | OIL SEAL |
| 0030 | SC13000709 02 | WATER SHED - NLA |
| 0031 | SC400078 00 | SCREW |
| 0032 | SC03001403 77 | PANHEAD MACHINE SCREW |
| 0033 | SC650515 01 | MOTOR COVER |
| 0034 | SC640000 00 | GASKET |
| 0034 | SC660755 00 | DRIP TRAY |
| 0035 | SC060359 01 | KIT COUPLING MF |
| 0036 | SC764007 01 | ALUMINUM ADAPTER |
| 0037 | SC420019 00 | SCREW |
| 0038 | SC440015 04 | WASHER |
| 0039 | SC429701 00 | SCREW |
| 0040 | SC784456 04R | TURNED EVAPOR. ASSY MF-56/66 NGT |
| 0041 | SC640041 01 | O RING |
| 0041 | SC724198 03 | AUGER |
| 0042 | SC650402 00 | WATER SEAL |
| 0043 | SC640093 00 | O RING (WRAS-FDA) |
| 0044 | SC060527 01 | BOTTOM BEARING/RETAINER |
| 0045 | SC751005 03 | BRASS ICE BREAKER FLANGE |
| 0046 | SC263612 00 | GREASE FOODLUBE UNIVERSAL 2,0 & 000 |
| 0047 | SC640109 00 | X RING (WRAS-FDA) |
| 0048 | SC640093 03 | O RING (WRAS-FDA) |

| Pos | Code | Description |
|------|-------------|-------------------------------------|
| 0049 | SC651058 00 | BEARING |
| 0050 | SC423915 00 | SCREW |
| 0051 | SC660507 00 | CUP |
| 0052 | SC420019 00 | SCREW |
| 0053 | SC440015 04 | WASHER |
| 0054 | SC784476 01 | MGT BRACKET ASSY |
| 0055 | SC060692 00 | KIT BEARING & SEALS |
| 0056 | SC263612 00 | GREASE FOODLUBE UNIVERSAL 2,0 & 000 |

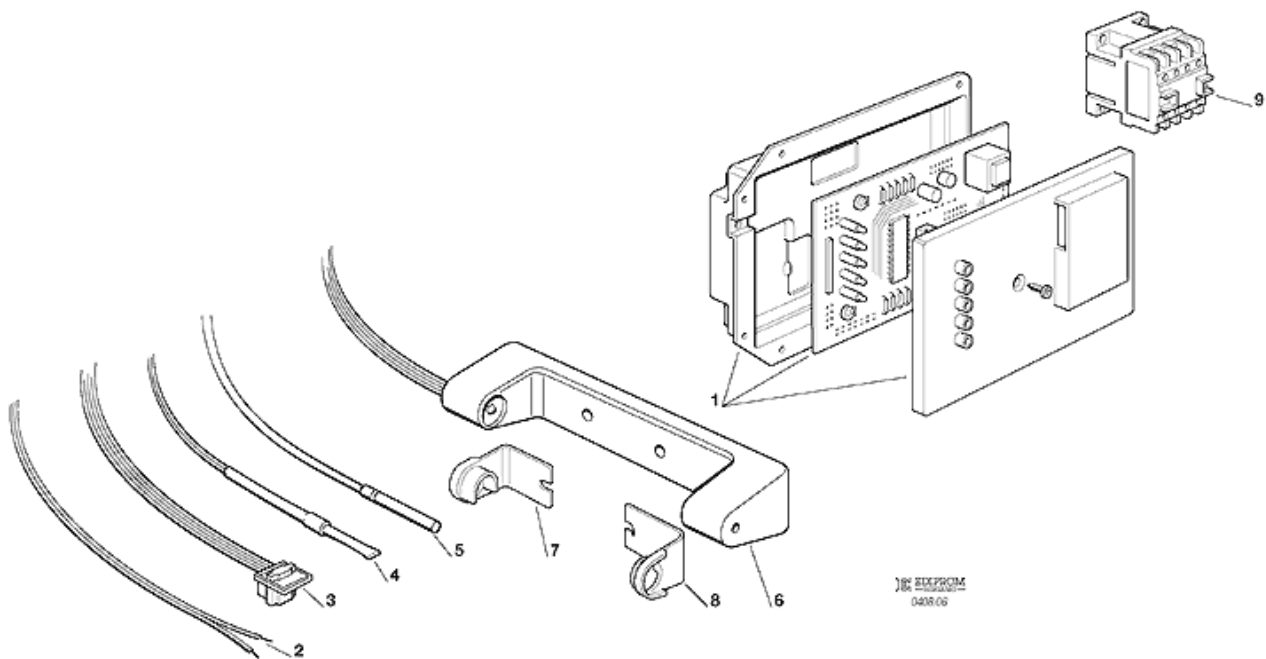


EDIPROM
1603.01

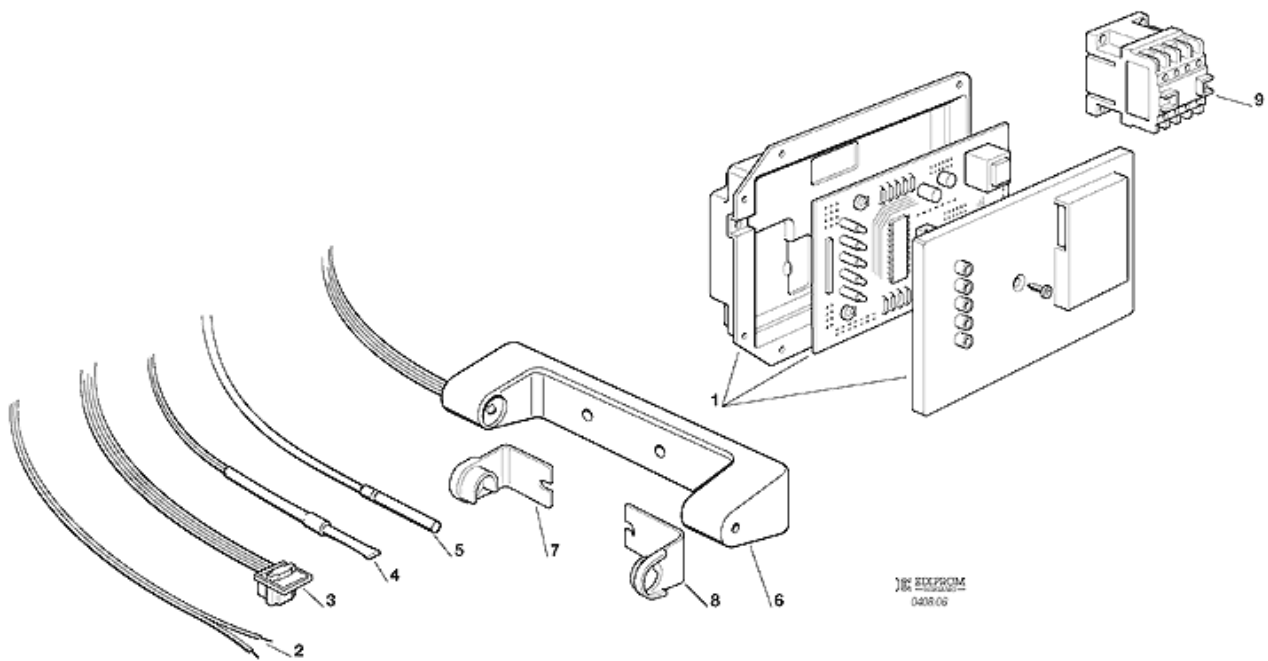
| Pos | Code | Description |
|------|---------------|-------------------------------------|
| 0001 | SC620596 00 | GEAR REDUCER ONLY W7OUT OIL |
| 0002 | SC620596 00 | GEAR REDUCER ONLY W7OUT OIL |
| 0003 | SC0A032379 21 | GASKET |
| 0004 | SC0A032379 26 | BOLT |
| 0005 | SC0A032379 23 | GEAR PINION |
| 0006 | SC0A032379 24 | GEAR |
| 0007 | SC0A032379 27 | USE SC060294 05 |
| 0008 | SC060273 08 | BISON GEAR MOTOR 220/50/1 |
| 0009 | SC651053 04 | ROLLER BEARING |
| 0010 | SC441800 04 | WASHER |
| 0011 | SC650341 00 | BRACKET |
| 0012 | SC650340 00 | BLADE |
| 0013 | SC794216 01R | ROTOR ASSY (BISON 823) |
| 0014 | SC620522 00 | STATOR 230V |
| 0015 | SC460041 00 | RING |
| 0016 | SC640095 01 | RUBBER INSERT |
| 0017 | SC650339 00 | MOTOR COVER |
| 0018 | SC650515 01 | MOTOR COVER |
| 0019 | SC400078 00 | SCREW |
| 0020 | SC420004 00 | SCREW |
| 0021 | SC422285 01 | SCREW |
| 0022 | SC784476 01 | MGT BRACKET ASSY |
| 0023 | SC620520 01 | CAPACITOR 10 MFD |
| 0024 | SC0A032379 29 | SEAL |
| 0025 | SC13000709 02 | WATER SHED - NLA |
| 0026 | SC060359 01 | KIT COUPLING MF |
| 0027 | SC660755 00 | DRIP TRAY |
| 0028 | SC440015 04 | WASHER |
| 0029 | SC429701 00 | SCREW |
| 0030 | SC420019 00 | SCREW |
| 0031 | SC440015 04 | WASHER |
| 0032 | SC764007 01 | ALUMINUM ADAPTER |
| 0033 | SC060527 01 | BOTTOM BEARING/RETAINER |
| 0034 | SC640093 00 | O RING (WRAS-FDA) |
| 0035 | SC784456 04R | TURNED EVAPOR. ASSY MF-56/66 NGT |
| 0036 | SC640041 01 | O RING |
| 0036 | SC724198 03 | AUGER |
| 0037 | SC650402 00 | WATER SEAL |
| 0038 | SC751005 03 | BRASS ICE BREAKER FLANGE |
| 0039 | SC640109 00 | X RING (WRAS-FDA) |
| 0040 | SC640093 03 | O RING (WRAS-FDA) |
| 0041 | SC420019 00 | SCREW |
| 0042 | SC440015 04 | WASHER |
| 0043 | SC651058 00 | BEARING |
| 0044 | SC423915 00 | SCREW |
| 0045 | SC660507 00 | CUP |
| 0046 | SC263612 00 | GREASE FOODLUBE UNIVERSAL 2,0 & 000 |
| 0047 | SC060692 00 | KIT BEARING & SEALS |



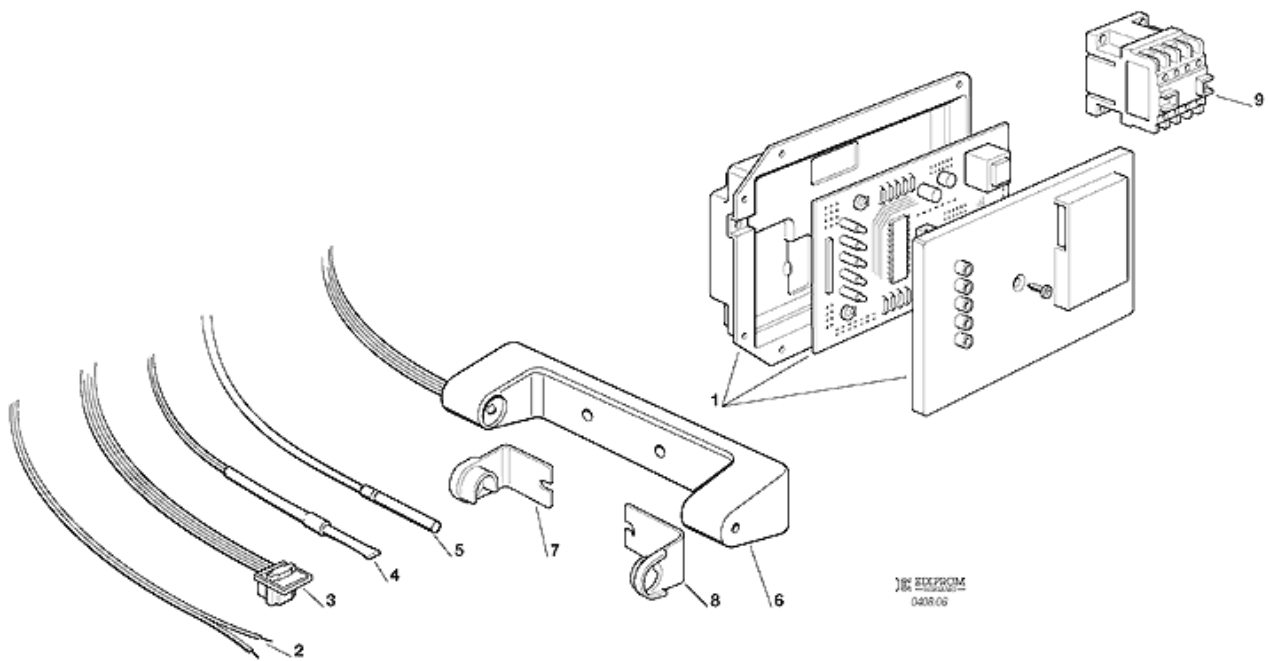
| Pos | Code | Description |
|------|-------------|--------------------------|
| 0001 | SC060711 11 | PC BOARD KIT 230V |
| 0002 | SC620404 13 | WATER LEVEL PINS HERNESS |
| 0003 | SC620404 03 | HALL SENSOR |
| 0004 | SC620404 11 | CONDENSER SENSOR |
| 0005 | SC620404 10 | EVAPORATOR SENSOR - NLA |
| 0006 | SC650674 02 | ICE LEVEL CTRL-3 MTRS |
| 0007 | SC660720 00 | PLASTIC PROTECTION LEFT |
| 0008 | SC660720 01 | PLASTIC PROTECTION RIGHT |
| 0009 | SC630148 00 | CONTACTOR |



| Pos | Code | Description |
|------|-------------|--------------------------|
| 0001 | SC060711 11 | PC BOARD KIT 230V |
| 0002 | SC620404 13 | WATER LEVEL PINS HERNESS |
| 0003 | SC620404 03 | HALL SENSOR |
| 0004 | SC620404 11 | CONDENSER SENSOR |
| 0005 | SC620404 10 | EVAPORATOR SENSOR - NLA |
| 0006 | SC650674 06 | OPTICAL ICE LEVEL CTRL |
| 0007 | SC660720 00 | PLASTIC PROTECTION LEFT |
| 0008 | SC660720 01 | PLASTIC PROTECTION RIGHT |
| 0009 | SC630148 00 | CONTACTOR |



| Pos | Code | Description |
|------|-------------|--------------------------|
| 0001 | SC060711 11 | PC BOARD KIT 230V |
| 0002 | SC620519 02 | WATER SENSOR HARNESS-NTC |
| 0003 | SC620404 03 | HALL SENSOR |
| 0004 | SC620519 04 | CONDENSER SENSOR NTC |
| 0005 | SC620519 01 | EVAPORATOR SENSOR NTC |
| 0006 | SC650674 06 | OPTICAL ICE LEVEL CTRL |
| 0007 | SC660720 00 | PLASTIC PROTECTION LEFT |
| 0008 | SC660720 01 | PLASTIC PROTECTION RIGHT |
| 0009 | SC630148 00 | CONTACTOR |



| Pos | Code | Description |
|------|-------------|--------------------------|
| 0001 | SC620462 23 | PC BOARD 230V |
| 0001 | SC630015 15 | FUSE T6,3A - 250V |
| 0002 | SC620519 02 | WATER SENSOR HARNESS-NTC |
| 0003 | SC620404 03 | HALL SENSOR |
| 0004 | SC620519 04 | CONDENSER SENSOR NTC |
| 0005 | SC620519 01 | EVAPORATOR SENSOR NTC |
| 0006 | SC650674 06 | OPTICAL ICE LEVEL CTRL |
| 0007 | SC660720 00 | PLASTIC PROTECTION LEFT |
| 0008 | SC660720 01 | PLASTIC PROTECTION RIGHT |
| 0009 | SC630148 00 | CONTACTOR |