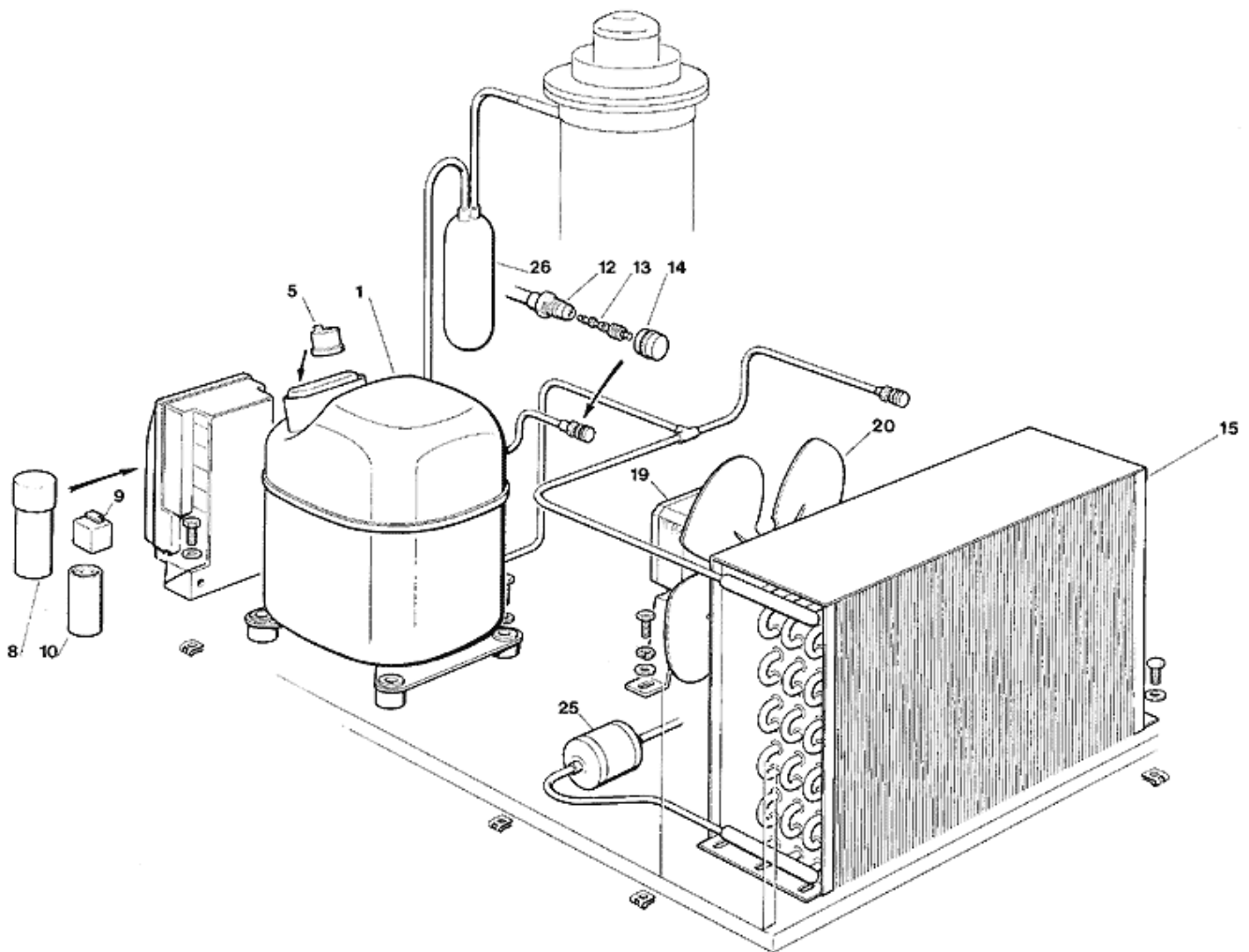
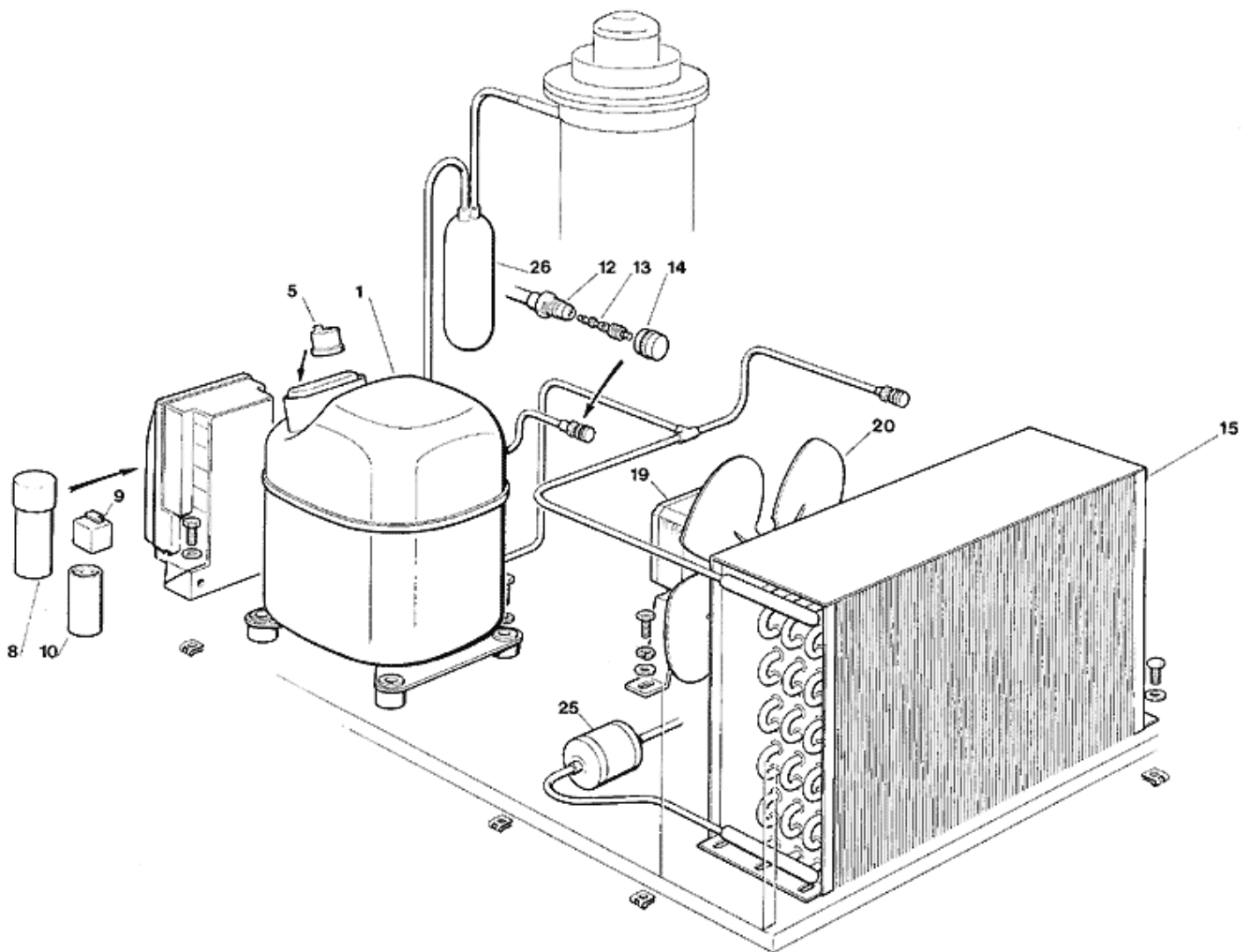


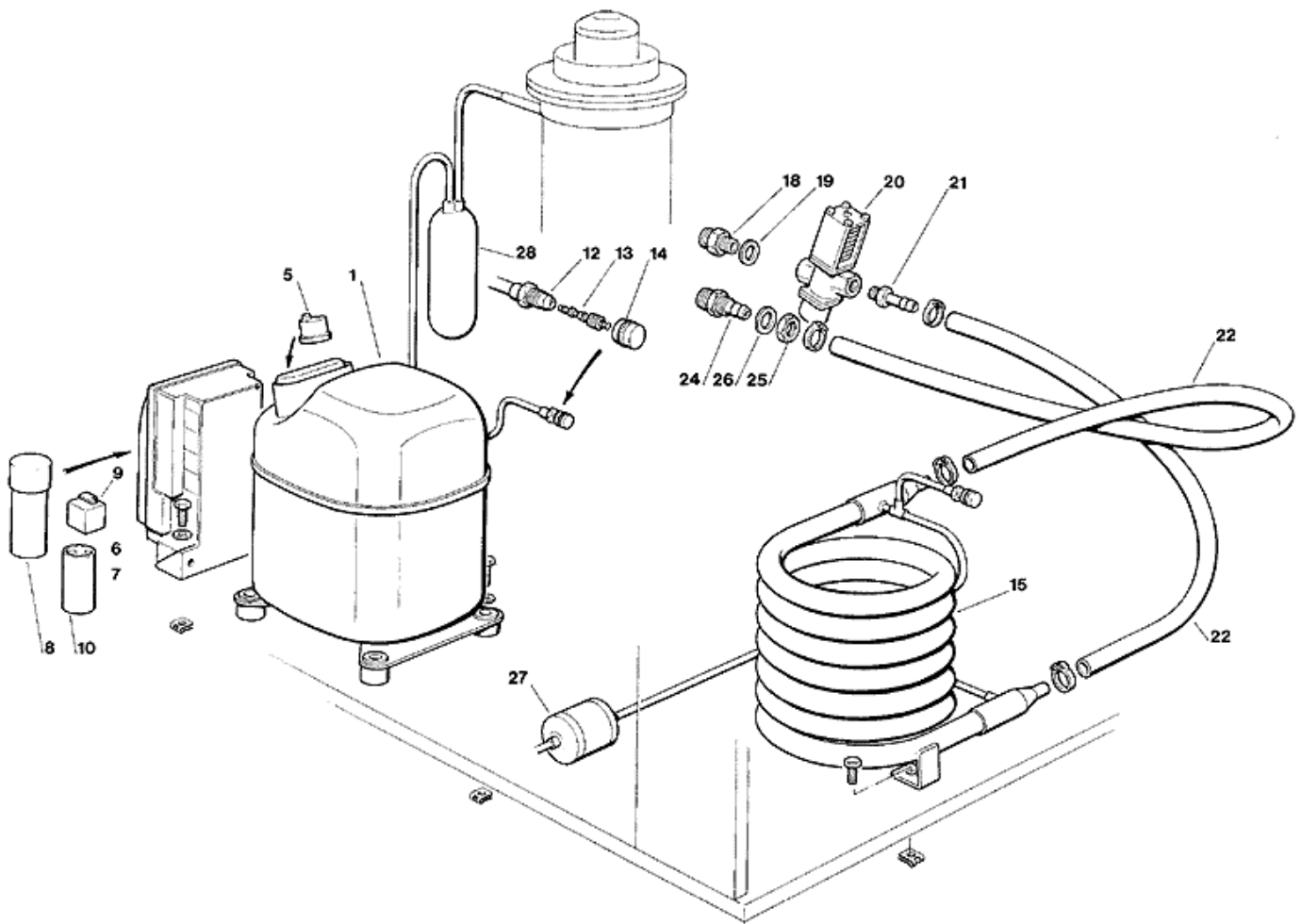
Pos	Code	Description
0001	SC781470 01	UNIT BASE ASSY
0001	SC781472 01	FRONT BRACKET
0002	SC781463 00	METAL BRACKET
0003	SC702593 00	METAL BRACKET
0004	SC650624 04	LABEL
0004	SC650850 00	SCOTSMAN EMBLEM
0004	SC650905 12	LABEL
0004	SC722270 00	FRONT PANEL
0005	SC722271 00	RIGHT SIDE PANEL
0006	SC722272 00	LEFT SIDE PANEL
0007	SC722273 00	REAR PANEL
0008	SC660867 01	UPPER PANEL



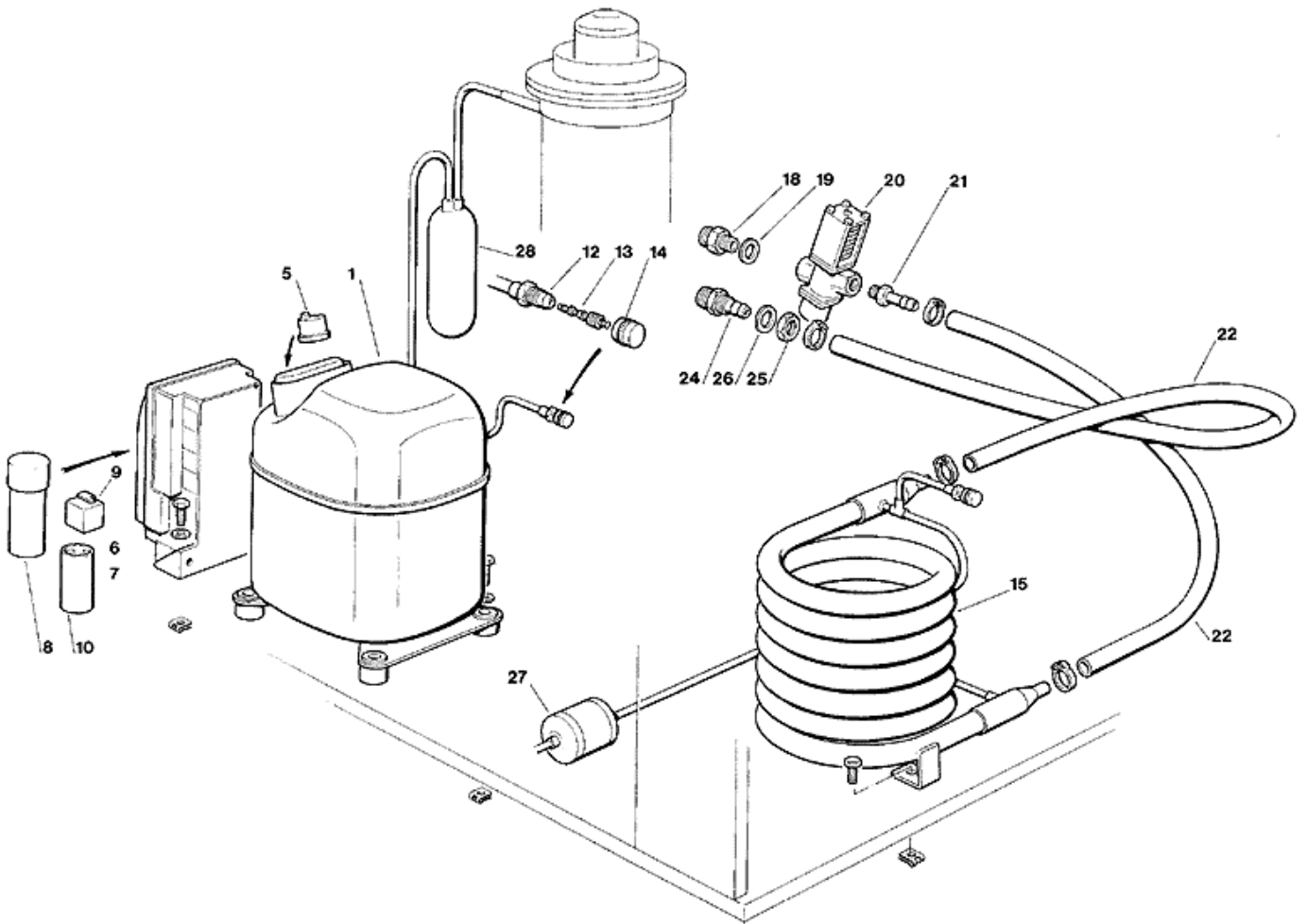
Pos	Code	Description
0001	SC670099 24	COM.CAJ4519Z 220-240/50(AJ4ZR1JF606A06-M)
0001	SC670099 25	C.CAJ4519ZF1208-220/60(AJ4ZR1HF606A06-M)
0001	SC670099 29	COMP.TAJ4519ZF1400/50 (AJ4ZR1TF606A10-M)
0005	SC620058 57	PROTECTOR - 8571651
0005	SC620058 58	PROTECTOR (COD.8670200)
0005	SC620058 85	PROTECTOR - 8571655
0008	SC620167 54	RUN CAPACITOR 450V
0009	SC620057 47	RELAY - 8565400
0009	SC620057 54	RELAY 8565105
0010	SC620167 00	START.CAP. - 8640162
0012	SC650109 00	VALVE BODY
0013	SC670012 00	VALVE CORE
0014	SC650106 00	CAP
0015	SC620438 00	AIR COOLED CONDENSER
0019	SC620419 07	FAN MOTOR
0019	SC620419 66	BRACKET
0020	SC620419 36	BLADE
0025	SC670006 01	FILTER
0026	SC784450 03R	SUCTION LINE/ACCUMULATOR



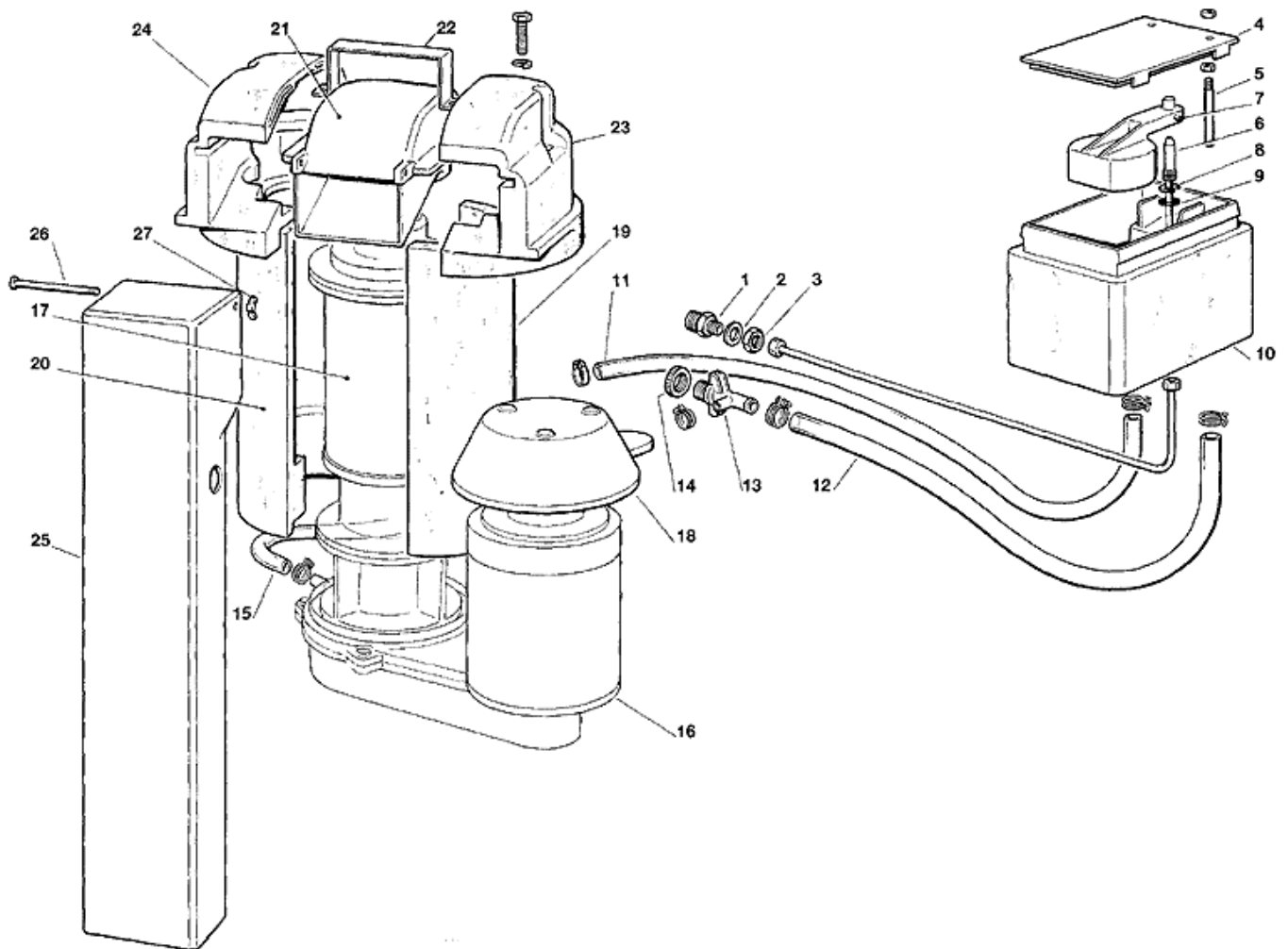
Pos	Code	Description
0001	SC630144 00	CRANCKASE HEATER - 8583035
0001	SC670098 05	USE SC670115 05
0001	SC670098 07	COMPR. FH2480Z 220-240/50/1 Scat. JUNIOR
0001	SC670099 25	C.CAJ4519ZF1208-220/60(AJ4ZR1HF606A06-M)
0005	SC620058 85	PROTECTOR - 8571655
0008	SC620167 16	CAPACITOR - 8545105
0009	SC620057 54	RELAY 8565105
0009	SC620057 62	RELAY - 8565172
0010	SC620167 00	START.CAP. - 8640162
0010	SC620167 48	START CAPACITOR 330V
0012	SC650109 00	VALVE BODY
0013	SC670012 00	VALVE CORE
0014	SC650106 00	CAP
0015	SC620438 00	AIR COOLED CONDENSER
0019	SC620419 07	FAN MOTOR
0019	SC620419 66	BRACKET
0020	SC620419 36	BLADE
0025	SC670006 01	FILTER
0026	SC784450 03R	SUCTION LINE/ACCUMULATOR



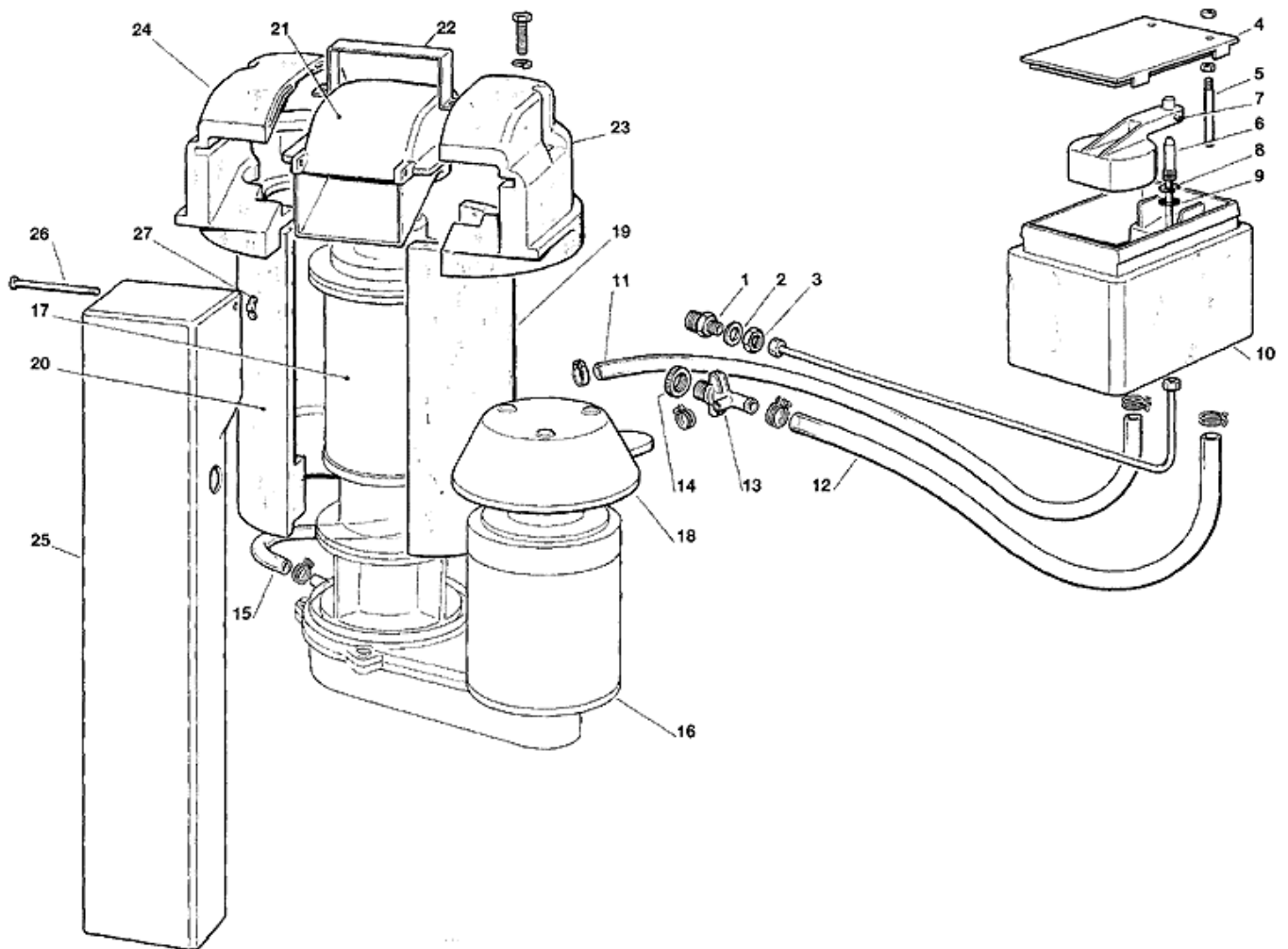
Pos	Code	Description
0001	SC670099 24	COM.CAJ4519Z 220-240/50(AJ4ZR1JF606A06-M)
0001	SC670099 25	C.CAJ4519ZF1208-220/60(AJ4ZR1HF606A06-M)
0001	SC670099 29	COMP.TAJ4519ZF1400/50 (AJ4ZR1TF606A10-M)
0005	SC620058 57	PROTECTOR - 8571651
0005	SC620058 58	PROTECTOR (COD.8670200)
0005	SC620058 85	PROTECTOR - 8571655
0008	SC620167 54	RUN CAPACITOR 450V
0009	SC620057 47	RELAY - 8565400
0009	SC620057 54	RELAY 8565105
0010	SC620167 00	START.CAP. - 8640162
0012	SC650109 00	VALVE BODY
0013	SC670012 00	VALVE CORE
0014	SC650106 00	CAP
0015	SC620495 00	CONDENSER, WATER
0018	SC733204 00	WATER INLET FITTING
0019	SC400031 01	WASHER
0020	SC620111 00	WATER REGUL. VALVE
0021	SC733173 02	OBSOLETE
0022	SC281900 05	TUBO PVC DN13 (13X19)90°
0024	SC733174 00	FITTING
0025	SC400076 00	NUT
0026	SC400031 00	WASHER
0027	SC670006 01	FILTER
0028	SC784450 03R	SUCTION LINE/ACCUMULATOR



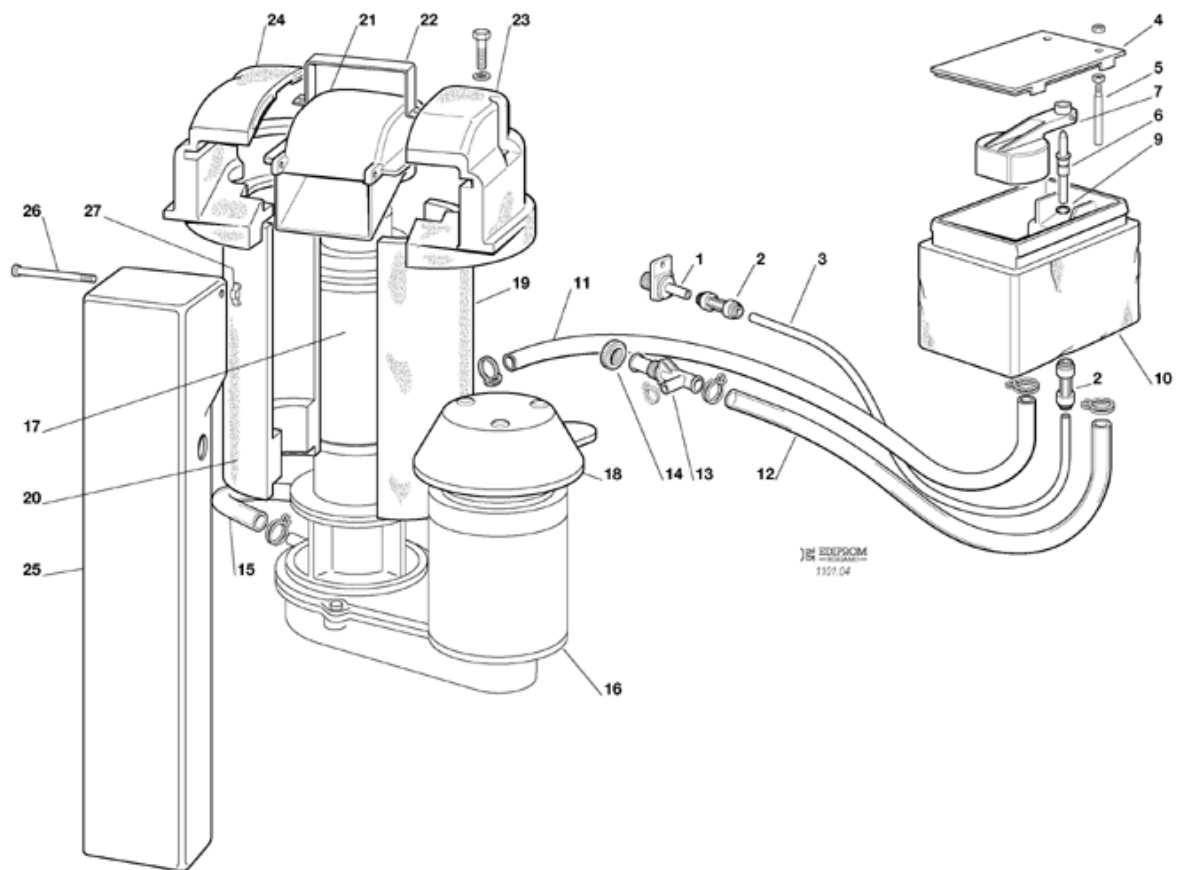
Pos	Code	Description
0001	SC630144 00	CRANCKASE HEATER - 8583035
0001	SC670098 05	USE SC670115 05
0001	SC670098 07	COMPR. FH2480Z 220-240/50/1 Scat. JUNIOR
0001	SC670099 25	C.CAJ4519ZF1208-220/60(AJ4ZR1HF606A06-M)
0005	SC620058 85	PROTECTOR - 8571655
0008	SC620167 16	CAPACITOR - 8545105
0009	SC620057 54	RELAY 8565105
0009	SC620057 62	RELAY - 8565172
0010	SC620167 00	START.CAP. - 8640162
0010	SC620167 48	START CAPACITOR 330V
0012	SC650109 00	VALVE BODY
0013	SC670012 00	VALVE CORE
0014	SC650106 00	CAP
0015	SC620495 00	CONDENSER, WATER
0018	SC733204 00	WATER INLET FITTING
0019	SC400031 01	WASHER
0020	SC620111 00	WATER REGUL. VALVE
0021	SC733173 02	OBSOLETE
0022	SC281900 05	TUBO PVC DN13 (13X19)90°
0024	SC733174 00	FITTING
0025	SC400076 00	NUT
0026	SC400031 00	WASHER
0027	SC670006 01	FILTER
0028	SC784450 03R	SUCTION LINE/ACCUMULATOR



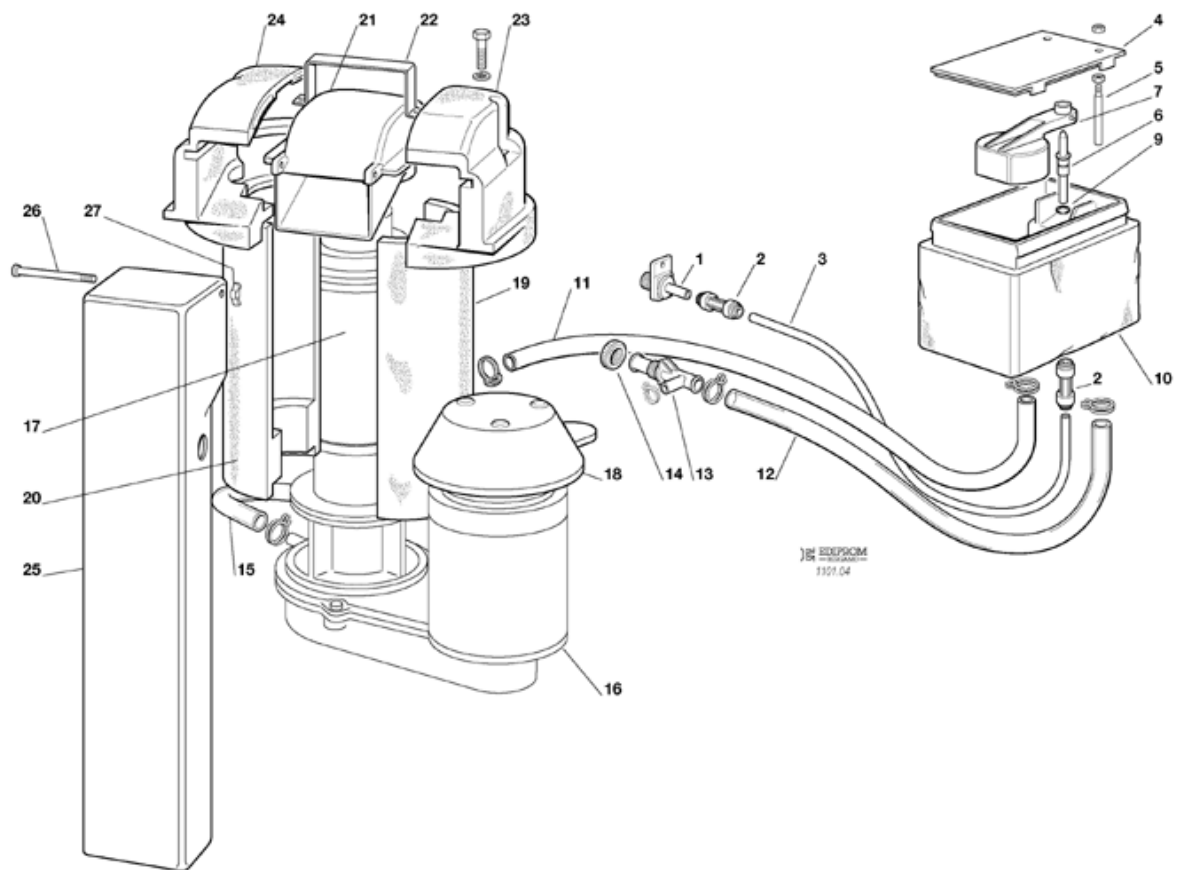
Pos	Code	Description
0002	SC400031 00	WASHER
0003	SC400030 01	NUT
0004	SC660363 00	COVER
0005	SC724215 06	WATER LEVEL METAL PIN
0006	SC060742 00	WATER NOZZLE RETROFIT KIT
0007	SC660585 00	FLOAT VALVE
0008	SC460038 02	RETAINING CLIP
0009	SC640100 00	O RING OR 2025 (WRAS-FDA)
0010	SC793126 01	WATER RESERVOIR
0011	SC281822 00	PLASTIC HOSE - PER METER
0012	SC281832 00	TUBE
0013	SC660224 00	TEE TUBE
0014	SC660535 00	PLASTIC NUT
0015	SC610171 02	PLASTIC HOSE
0016	SC794344 00R	GEAR REDUCER ASSY-BISON
0017	SC794298 00R	FREEZER ASSY
0018	SC660553 00	GEAR MOTOR COVER
0019	SC060551 06	KIT INSULATION, FREEZER
0020	SC060551 06	KIT INSULATION, FREEZER
0021	SC661028 00	ICE SPOUT
0022	SC725043 01	BRACKET
0023	SC060551 01	KIT INSULATION, SPOUT
0024	SC060551 01	KIT INSULATION, SPOUT
0025	SC660573 07	NO LONGER AVAILABLE
0026	SC724180 02	TIE ROAD
0027	SC430083 00	WING NUT



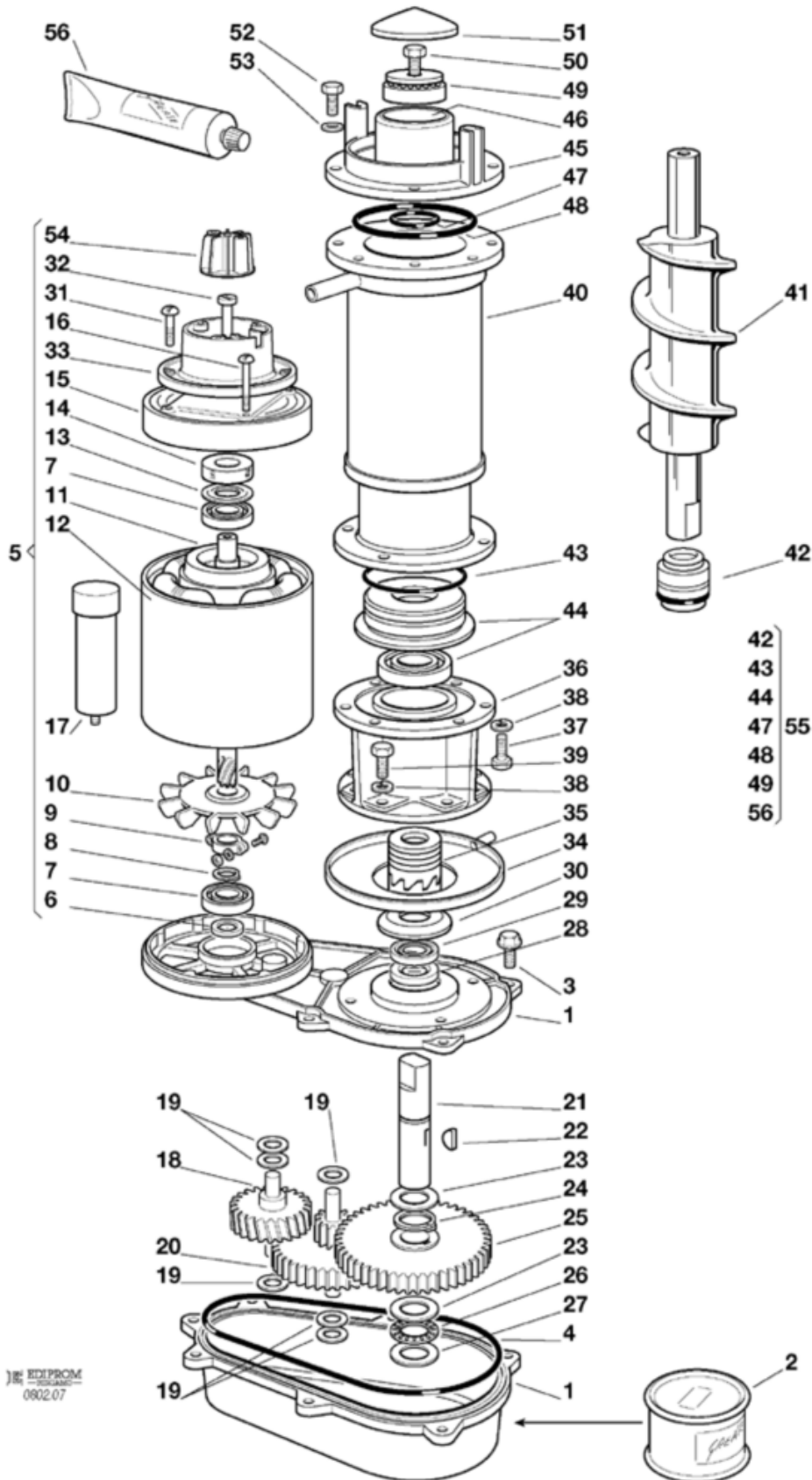
Pos	Code	Description
0002	SC400031 00	WASHER
0003	SC400030 01	NUT
0004	SC660363 00	COVER
0005	SC724215 06	WATER LEVEL METAL PIN
0006	SC060742 00	WATER NOZZLE RETROFIT KIT
0007	SC660585 00	FLOAT VALVE
0008	SC460038 02	RETAINING CLIP
0009	SC640100 00	O RING OR 2025 (WRAS-FDA)
0010	SC793126 01	WATER RESERVOIR
0011	SC281822 00	PLASTIC HOSE - PER METER
0012	SC281832 00	TUBE
0013	SC660224 00	TEE TUBE
0014	SC660535 00	PLASTIC NUT
0015	SC610171 02	PLASTIC HOSE
0016	SC794344 00R	GEAR REDUCER ASSY-BISON
0017	SC794298 00R	FREEZER ASSY
0018	SC660553 00	GEAR MOTOR COVER
0019	SC060551 06	KIT INSULATION, FREEZER
0020	SC060551 06	KIT INSULATION, FREEZER
0021	SC661028 00	ICE SPOUT
0022	SC725043 01	BRACKET
0023	SC060551 01	KIT INSULATION, SPOUT
0024	SC060551 01	KIT INSULATION, SPOUT
0025	SC660933 03	ICE CHUTE
0026	SC724180 02	TIE ROAD
0027	SC430083 00	WING NUT



Pos	Code	Description
0001	SC650104 00	FILTER
0001	SC660956 00	WATER IN PLASTIC FITTING
0002	SC651224 04	1/4 F-5/16F CONNECTOR
0003	SC651206 02	1/4 OD NYLON TUBE
0004	SC660363 00	COVER
0005	SC724215 06	WATER LEVEL METAL PIN
0006	SC660957 00	PLASTIC NOZZLE
0007	SC660585 00	FLOAT VALVE
0009	SC640100 00	O RING OR 2025 (WRAS-FDA)
0010	SC660352 00	INSULATION
0010	SC660459 00	WATER RESERVOIR
0011	SC281822 00	PLASTIC HOSE - PER METER
0012	SC281832 00	TUBE
0013	SC660224 00	TEE TUBE
0014	SC660535 00	PLASTIC NUT
0015	SC610171 02	PLASTIC HOSE
0016	SC794344 00R	GEAR REDUCER ASSY-BISON
0017	SC794298 00R	FREEZER ASSY
0018	SC660553 00	GEAR MOTOR COVER
0019	SC060551 06	KIT INSULATION, FREEZER
0020	SC060551 06	KIT INSULATION, FREEZER
0021	SC661028 00	ICE SPOUT
0022	SC725043 01	BRACKET
0023	SC060551 01	KIT INSULATION, SPOUT
0024	SC060551 01	KIT INSULATION, SPOUT
0025	SC660933 03	ICE CHUTE
0026	SC724180 02	TIE ROAD
0027	SC430083 00	WING NUT

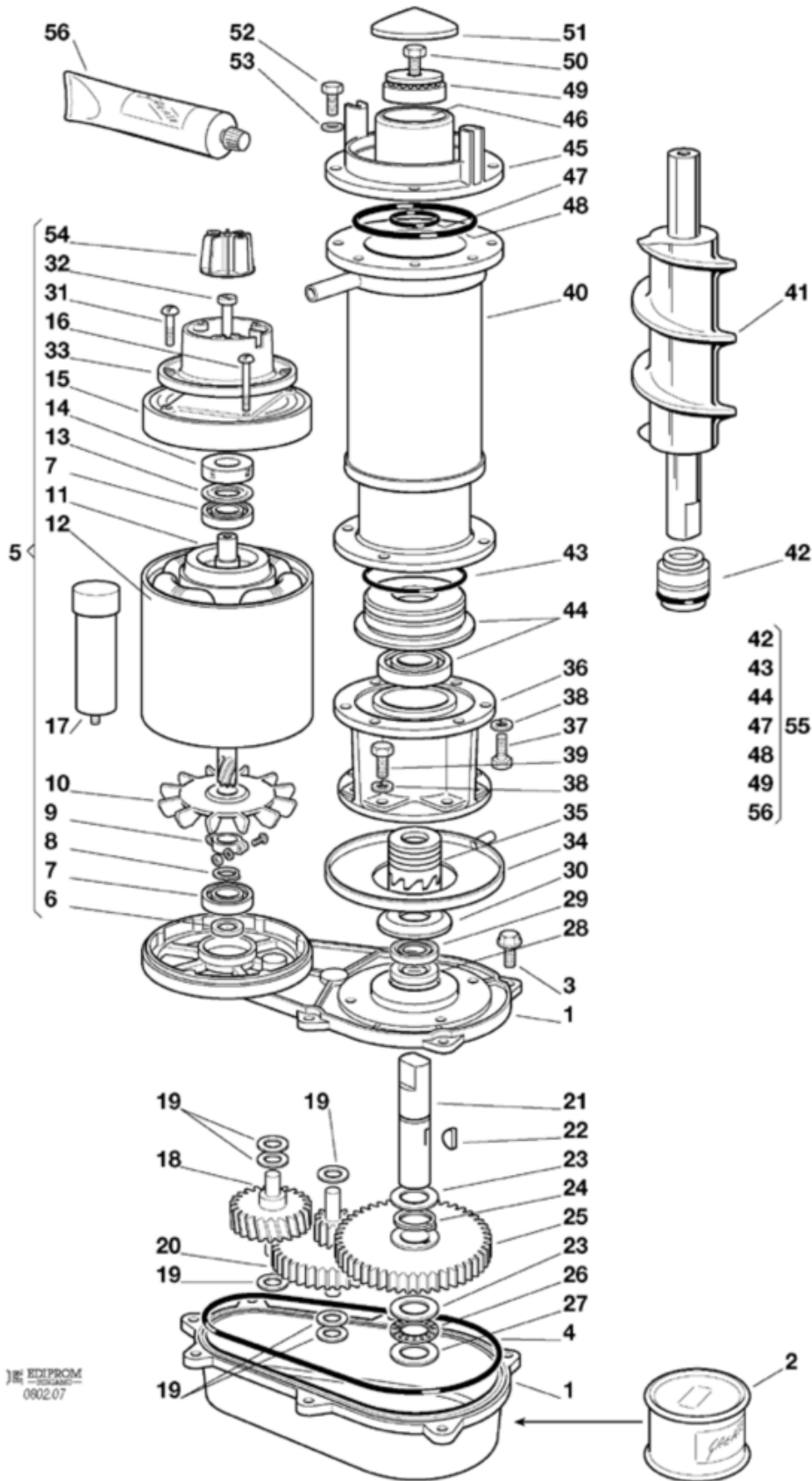


Pos	Code	Description
0001	SC650104 00	FILTER
0001	SC660956 00	WATER IN PLASTIC FITTING
0002	SC651224 04	1/4 F-5/16F CONNECTOR
0003	SC651206 02	1/4 OD NYLON TUBE
0004	SC660363 00	COVER
0005	SC724215 06	WATER LEVEL METAL PIN
0006	SC660957 00	PLASTIC NOZZLE
0007	SC660585 00	FLOAT VALVE
0009	SC640100 00	O RING OR 2025 (WRAS-FDA)
0010	SC660352 00	INSULATION
0010	SC660459 00	WATER RESERVOIR
0011	SC281822 00	PLASTIC HOSE - PER METER
0012	SC281832 00	TUBE
0013	SC660224 00	TEE TUBE
0014	SC660535 00	PLASTIC NUT
0015	SC610171 02	PLASTIC HOSE
0016	SC794344 00R	GEAR REDUCER ASSY-BISON
0017	SC794298 00R	FREEZER ASSY
0018	SC660553 00	GEAR MOTOR COVER
0019	SC060551 06	KIT INSULATION, FREEZER
0020	SC060551 06	KIT INSULATION, FREEZER
0021	SC661028 00	ICE SPOUT
0022	SC725043 01	BRACKET
0023	SC060551 01	KIT INSULATION, SPOUT
0024	SC060551 01	KIT INSULATION, SPOUT
0025	SC660933 03	ICE CHUTE
0026	SC724180 02	TIE ROAD
0027	SC430083 00	WING NUT



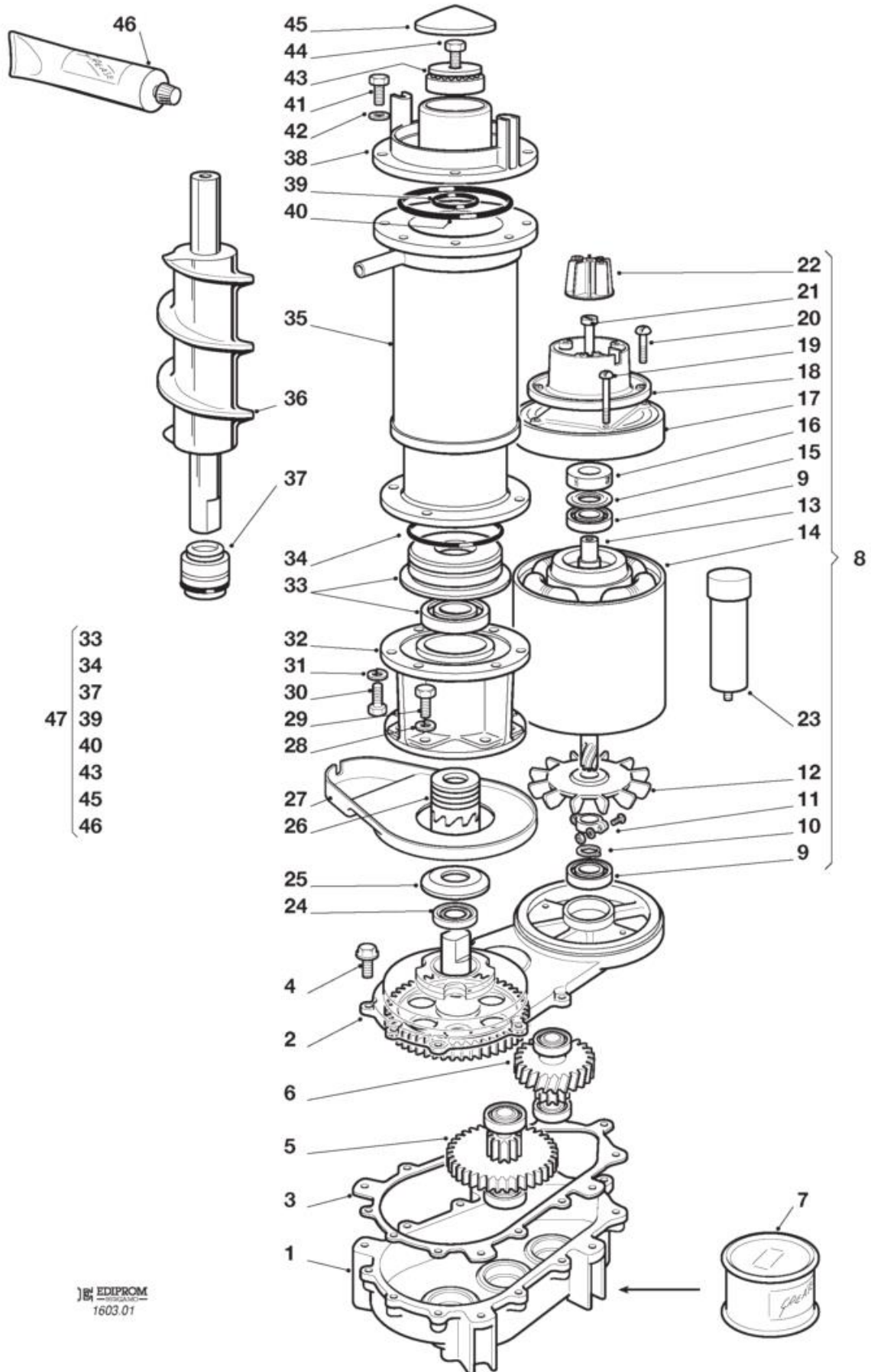
Pos	Code	Description
0001	SC794344 00R	GEAR REDUCER ASSY-BISON
0002	SC060294 04	GEAR REDUCER GREASE 0,5KG
0003	SC03001251 01	FLANGE SCREW
0004	SC13000617 38	O RING
0005	SC060273 06	MOTOR ONLY MFB - NLA
0006	SC02001606 00	OIL SEAL
0007	SC651053 04	ROLLER BEARING
0008	SC441800 04	WASHER
0009	SC650341 00	BRACKET
0010	SC650340 00	BLADE
0011	SC794216 00R	NO LONGER AVAILABLE
0012	SC620522 00	STATOR 230V
0013	SC460041 00	RING
0014	SC640095 01	RUBBER INSERT
0015	SC650339 00	MOTOR COVER
0016	SC400078 00	SCREW
0017	SC620520 01	CAPACITOR 10 MFD
0018	SC651156 00	GEAR
0019	SC03001408 24	WASHER - NLA
0020	SC651157 00	GEAR
0021	SC651159 00	SHAFT
0022	SC03001364 00	TANG
0023	SC02001681 00	TRUST WASHER
0024	SC03001363 00	RETAINING RING - NLA
0025	SC651158 00	GEAR
0026	SC02001680 00	BEARING - NLA
0027	SC02001679 00	THRUST WASHER
0028	SC02001607 01	GASKET
0029	SC02002853 01	OIL SEAL
0030	SC13000709 02	WATER SHED - NLA
0031	SC400078 00	SCREW
0032	SC03001403 77	PANHEAD MACHINE SCREW
0033	SC650515 01	MOTOR COVER
0034	SC640000 00	GASKET
0034	SC660755 00	DRIP TRAY
0035	SC060359 01	KIT COUPLING MF
0036	SC764007 01	ALUMINUM ADAPTER
0037	SC420019 00	SCREW
0038	SC440015 04	WASHER
0039	SC429701 00	SCREW
0040	SC784456 04R	TURNED EVAPOR. ASSY MF-56/66 NGT
0041	SC724198 03	AUGER
0042	SC650402 00	WATER SEAL
0043	SC640093 00	O RING (WRAS-FDA)
0044	SC060688 00	BOTTOM BEARING/RETAINER
0045	SC751005 03	BRASS ICE BREAKER FLANGE
0046	SC263612 00	GREASE FOODLUBE UNIVERSAL 2,0 & 000
0047	SC640109 00	X RING (WRAS-FDA)
0048	SC640093 03	O RING (WRAS-FDA)
0049	SC651058 00	BEARING

Pos	Code	Description
0050	SC423915 00	SCREW
0051	SC660507 00	CUP
0052	SC420019 00	SCREW
0053	SC440015 04	WASHER
0054	SC784476 01	MGT BRACKET ASSY
0055	SC060692 01	KIT BEARINGS & WATER SEAL
0056	SC263612 00	GREASE FOODLUBE UNIVERSAL 2,0 & 000

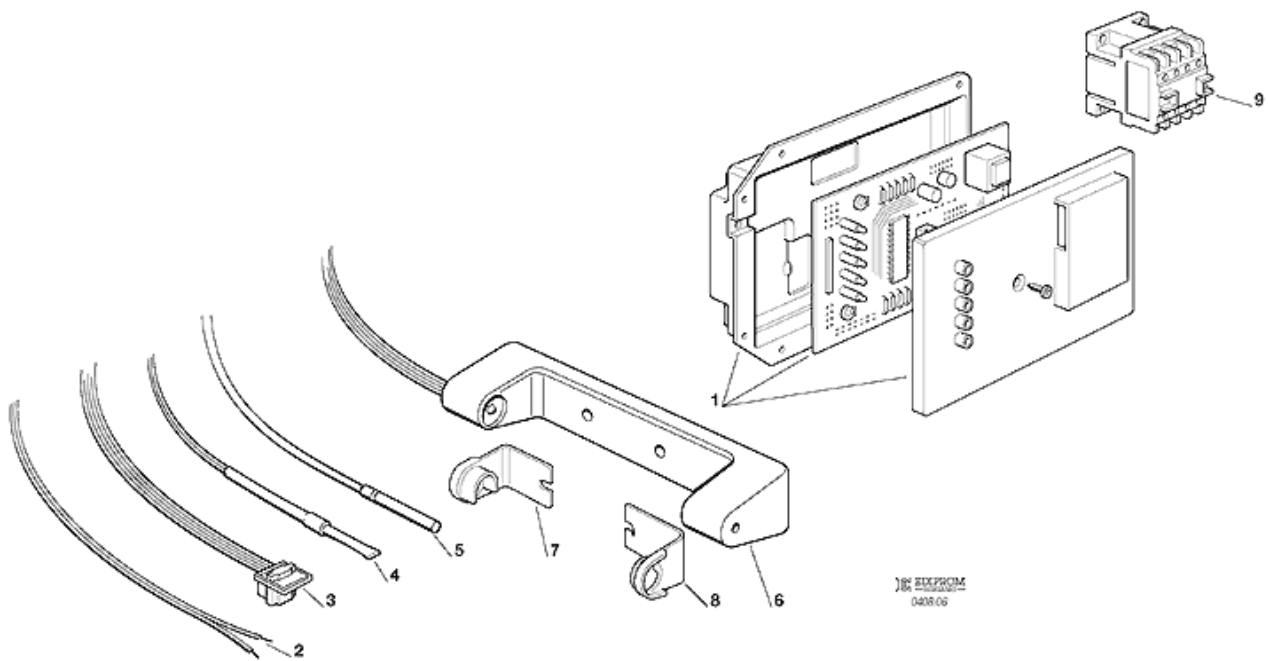


Pos	Code	Description
0001	SC794344 00R	GEAR REDUCER ASSY-BISON
0002	SC060294 04	GEAR REDUCER GREASE 0,5KG
0003	SC03001251 01	FLANGE SCREW
0004	SC13000617 38	O RING
0005	SC060273 06	MOTOR ONLY MFB - NLA
0006	SC02001606 00	OIL SEAL
0007	SC651053 04	ROLLER BEARING
0008	SC441800 04	WASHER
0009	SC650341 00	BRACKET
0010	SC650340 00	BLADE
0011	SC794216 00R	NO LONGER AVAILABLE
0012	SC620522 00	STATOR 230V
0013	SC460041 00	RING
0014	SC640095 01	RUBBER INSERT
0015	SC650339 00	MOTOR COVER
0016	SC400078 00	SCREW
0017	SC620520 01	CAPACITOR 10 MFD
0018	SC651156 00	GEAR
0019	SC03001408 24	WASHER - NLA
0020	SC651157 00	GEAR
0021	SC651159 00	SHAFT
0022	SC03001364 00	TANG
0023	SC02001681 00	TRUST WASHER
0024	SC03001363 00	RETAINING RING - NLA
0025	SC651158 00	GEAR
0026	SC02001680 00	BEARING - NLA
0027	SC02001679 00	THRUST WASHER
0028	SC02001607 01	GASKET
0029	SC02002853 01	OIL SEAL
0030	SC13000709 02	WATER SHED - NLA
0031	SC400078 00	SCREW
0032	SC03001403 77	PANHEAD MACHINE SCREW
0033	SC650515 01	MOTOR COVER
0034	SC640000 00	GASKET
0034	SC660755 00	DRIP TRAY
0035	SC060359 01	KIT COUPLING MF
0036	SC764007 01	ALUMINUM ADAPTER
0037	SC420019 00	SCREW
0038	SC440015 04	WASHER
0039	SC429701 00	SCREW
0040	SC784456 04R	TURNED EVAPOR. ASSY MF-56/66 NGT
0041	SC640041 01	O RING
0041	SC724198 03	AUGER
0042	SC650402 00	WATER SEAL
0043	SC640093 00	O RING (WRAS-FDA)
0044	SC060527 01	BOTTOM BEARING/RETAINER
0045	SC751005 03	BRASS ICE BREAKER FLANGE
0046	SC263612 00	GREASE FOODLUBE UNIVERSAL 2,0 & 000
0047	SC640109 00	X RING (WRAS-FDA)
0048	SC640093 03	O RING (WRAS-FDA)

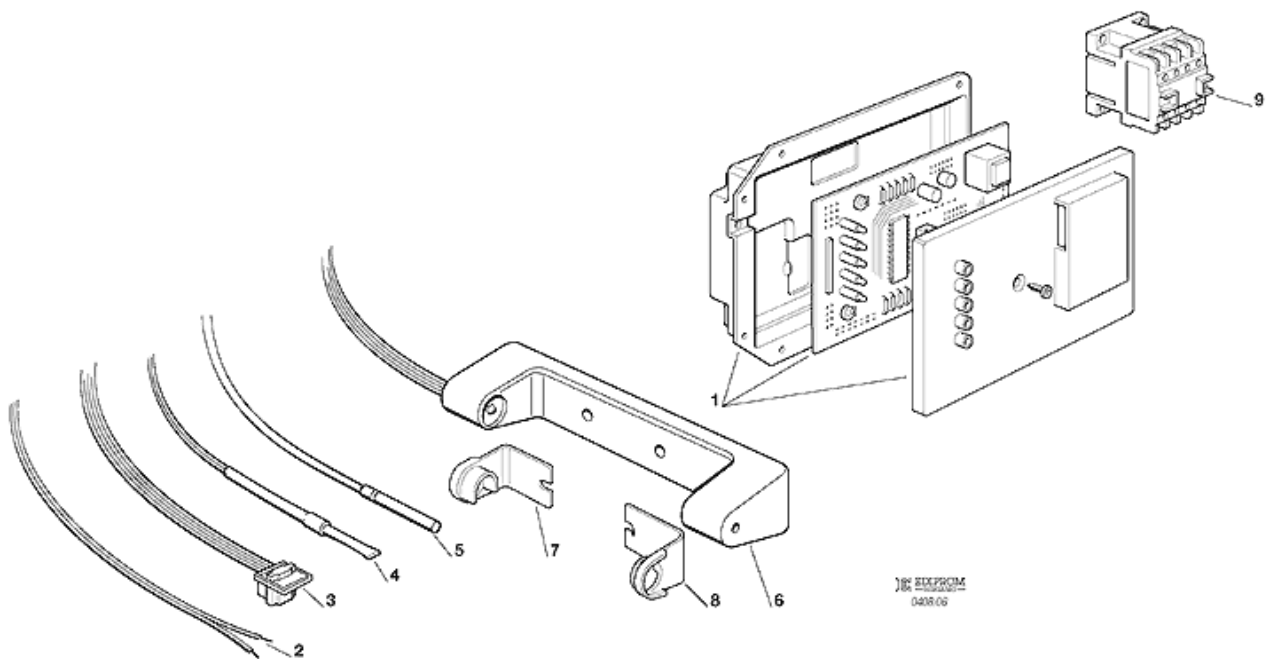
Pos	Code	Description
0049	SC651058 00	BEARING
0050	SC423915 00	SCREW
0051	SC660507 00	CUP
0052	SC420019 00	SCREW
0053	SC440015 04	WASHER
0054	SC784476 01	MGT BRACKET ASSY
0055	SC060692 00	KIT BEARING & SEALS
0056	SC263612 00	GREASE FOODLUBE UNIVERSAL 2,0 & 000



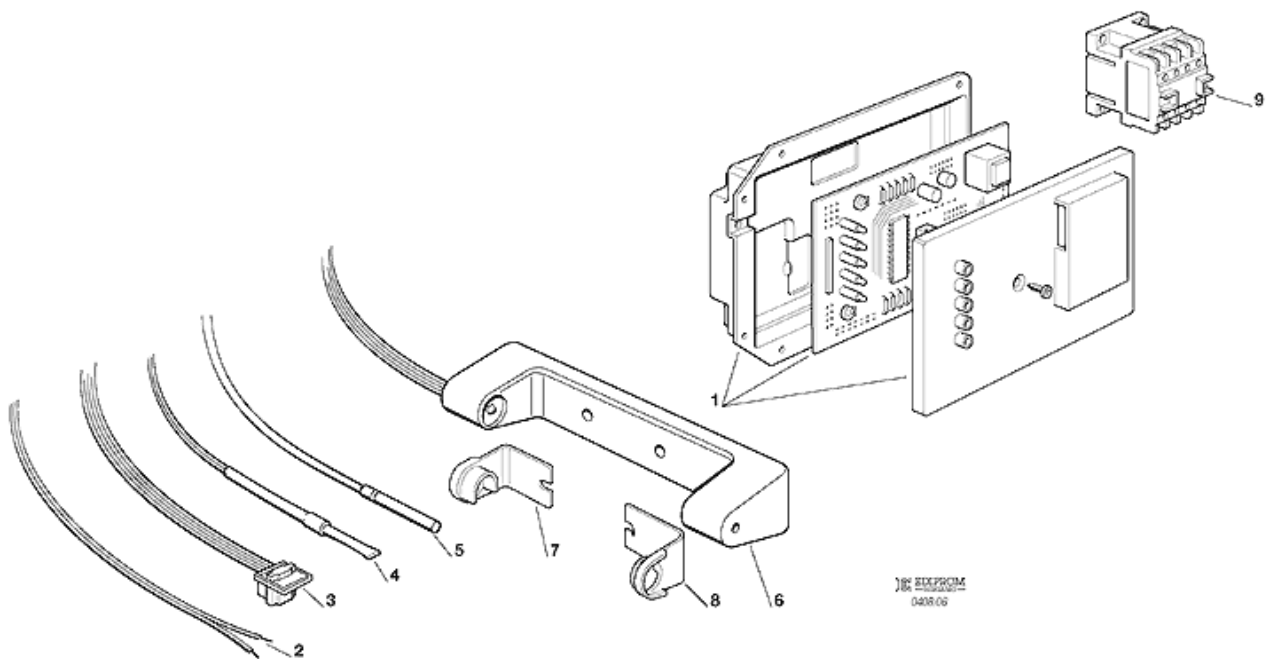
Pos	Code	Description
0001	SC620596 00	GEAR REDUCER ONLY W7OUT OIL
0002	SC620596 00	GEAR REDUCER ONLY W7OUT OIL
0003	SC0A032379 21	GASKET
0004	SC0A032379 26	BOLT
0005	SC0A032379 23	GEAR PINION
0006	SC0A032379 24	GEAR
0007	SC0A032379 27	USE SC060294 05
0008	SC060273 08	BISON GEAR MOTOR 220/50/1
0009	SC651053 04	ROLLER BEARING
0010	SC441800 04	WASHER
0011	SC650341 00	BRACKET
0012	SC650340 00	BLADE
0013	SC794216 01R	ROTOR ASSY (BISON 823)
0014	SC620522 00	STATOR 230V
0015	SC460041 00	RING
0016	SC640095 01	RUBBER INSERT
0017	SC650339 00	MOTOR COVER
0018	SC650515 01	MOTOR COVER
0019	SC400078 00	SCREW
0020	SC420004 00	SCREW
0021	SC422285 01	SCREW
0022	SC784476 01	MGT BRACKET ASSY
0023	SC620520 01	CAPACITOR 10 MFD
0024	SC0A032379 29	SEAL
0025	SC13000709 02	WATER SHED - NLA
0026	SC060359 01	KIT COUPLING MF
0027	SC660755 00	DRIP TRAY
0028	SC440015 04	WASHER
0029	SC429701 00	SCREW
0030	SC420019 00	SCREW
0031	SC440015 04	WASHER
0032	SC764007 01	ALUMINUM ADAPTER
0033	SC060527 01	BOTTOM BEARING/RETAINER
0034	SC640093 00	O RING (WRAS-FDA)
0035	SC784456 04R	TURNED EVAPOR. ASSY MF-56/66 NGT
0036	SC640041 01	O RING
0036	SC724198 03	AUGER
0037	SC650402 00	WATER SEAL
0038	SC751005 03	BRASS ICE BREAKER FLANGE
0039	SC640109 00	X RING (WRAS-FDA)
0040	SC640093 03	O RING (WRAS-FDA)
0041	SC420019 00	SCREW
0042	SC440015 04	WASHER
0043	SC651058 00	BEARING
0044	SC423915 00	SCREW
0045	SC660507 00	CUP
0046	SC263612 00	GREASE FOODLUBE UNIVERSAL 2,0 & 000
0047	SC060692 00	KIT BEARING & SEALS



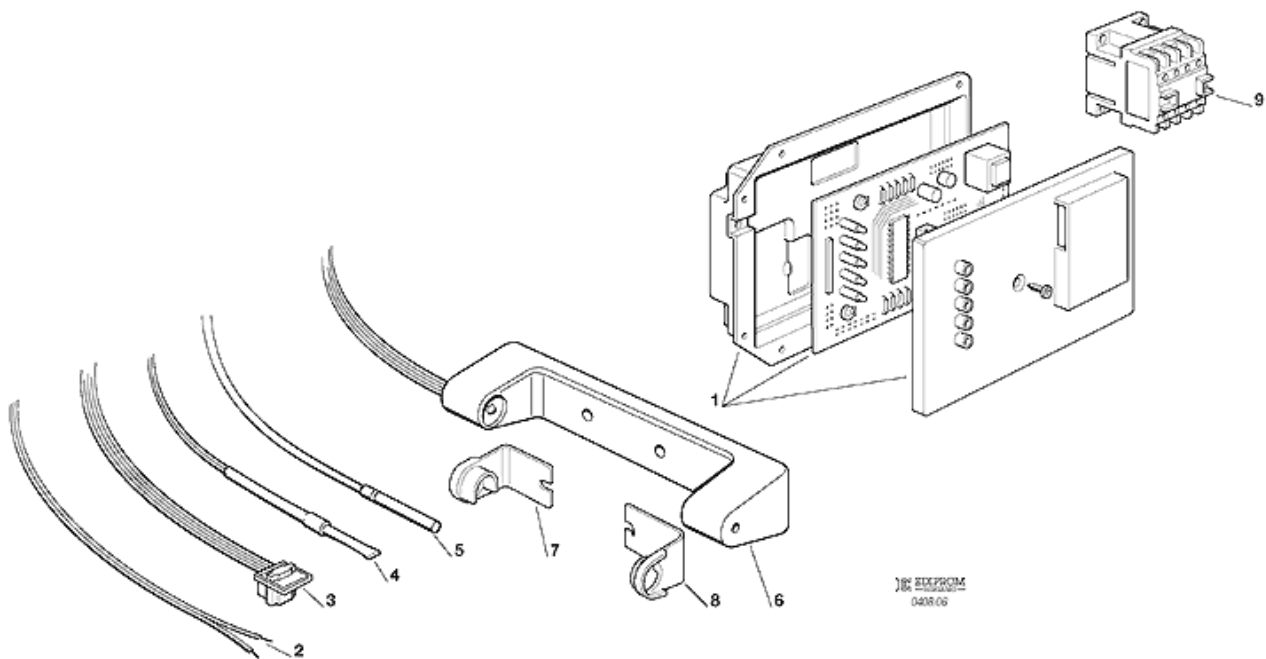
Pos	Code	Description
0001	SC060711 11	PC BOARD KIT 230V
0002	SC620404 13	WATER LEVEL PINS HERNESS
0003	SC620404 03	HALL SENSOR
0004	SC620404 11	CONDENSER SENSOR
0005	SC620404 10	EVAPORATOR SENSOR - NLA
0006	SC650674 02	ICE LEVEL CTRL-3 MTRS
0007	SC660720 00	PLASTIC PROTECTION LEFT
0008	SC660720 01	PLASTIC PROTECTION RIGHT
0009	SC630148 00	CONTACTOR



Pos	Code	Description
0001	SC060711 11	PC BOARD KIT 230V
0002	SC620404 13	WATER LEVEL PINS HERNESS
0003	SC620404 03	HALL SENSOR
0004	SC620404 11	CONDENSER SENSOR
0005	SC620404 10	EVAPORATOR SENSOR - NLA
0006	SC650674 06	OPTICAL ICE LEVEL CTRL
0007	SC660720 00	PLASTIC PROTECTION LEFT
0008	SC660720 01	PLASTIC PROTECTION RIGHT
0009	SC630148 00	CONTACTOR



Pos	Code	Description
0001	SC060711 11	PC BOARD KIT 230V
0002	SC620519 02	WATER SENSOR HARNESS-NTC
0003	SC620404 03	HALL SENSOR
0004	SC620519 04	CONDENSER SENSOR NTC
0005	SC620519 01	EVAPORATOR SENSOR NTC
0006	SC650674 06	OPTICAL ICE LEVEL CTRL
0007	SC660720 00	PLASTIC PROTECTION LEFT
0008	SC660720 01	PLASTIC PROTECTION RIGHT
0009	SC630148 00	CONTACTOR



Pos	Code	Description
0001	SC620462 23	PC BOARD 230V
0001	SC630015 15	FUSE T6,3A - 250V
0002	SC620519 02	WATER SENSOR HARNESS-NTC
0003	SC620404 03	HALL SENSOR
0004	SC620519 04	CONDENSER SENSOR NTC
0005	SC620519 01	EVAPORATOR SENSOR NTC
0006	SC650674 06	OPTICAL ICE LEVEL CTRL
0007	SC660720 00	PLASTIC PROTECTION LEFT
0008	SC660720 01	PLASTIC PROTECTION RIGHT
0009	SC630148 00	CONTACTOR