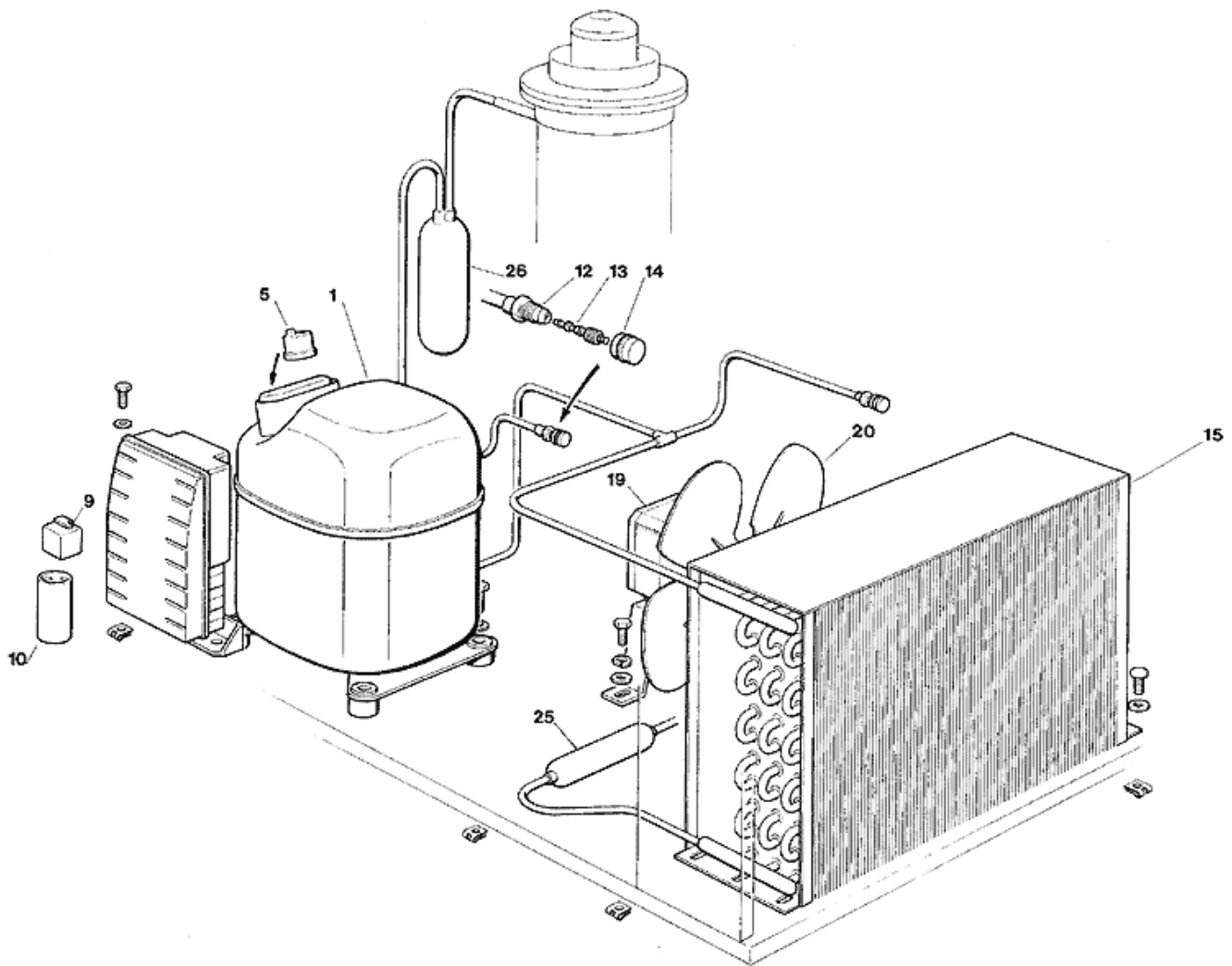
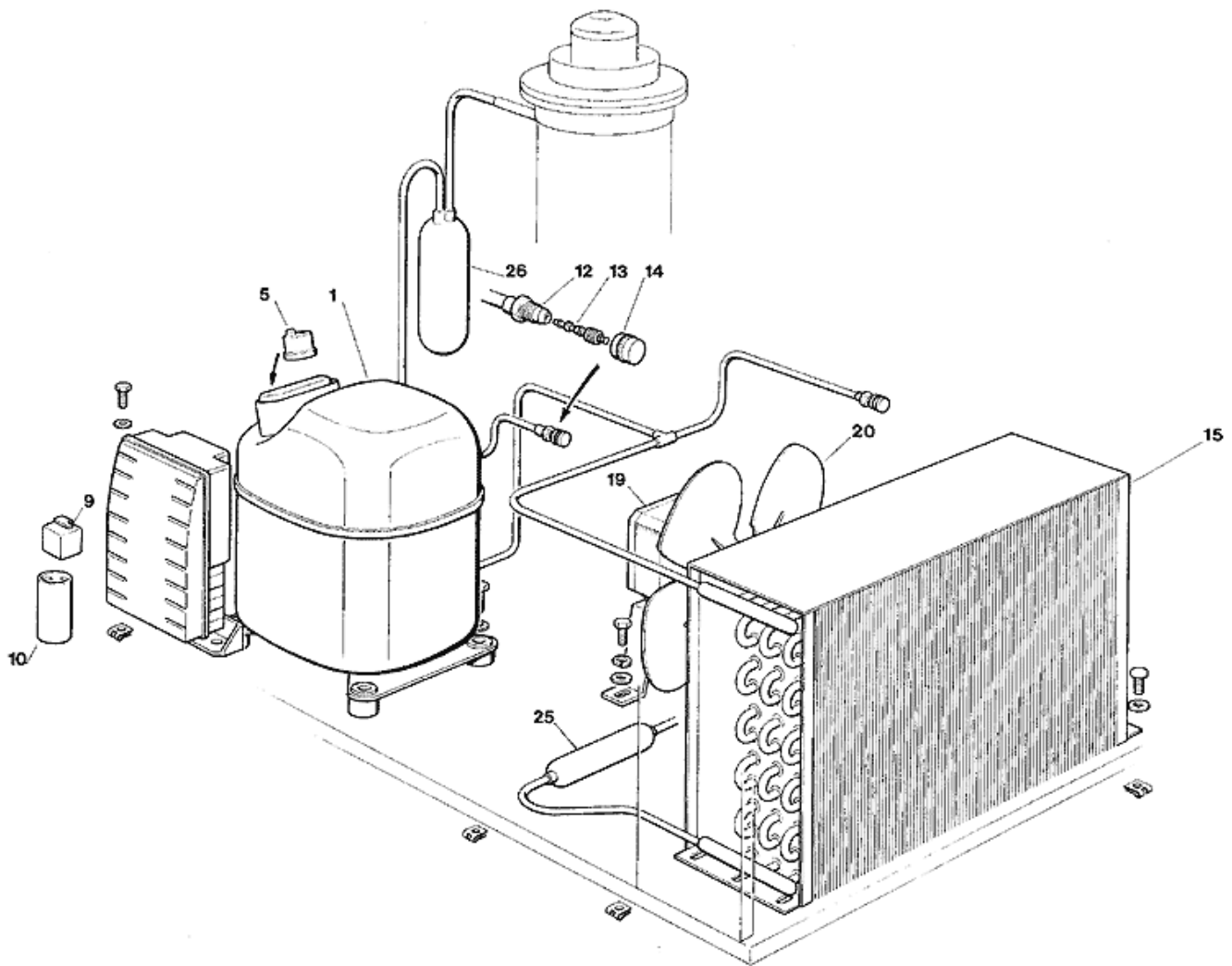


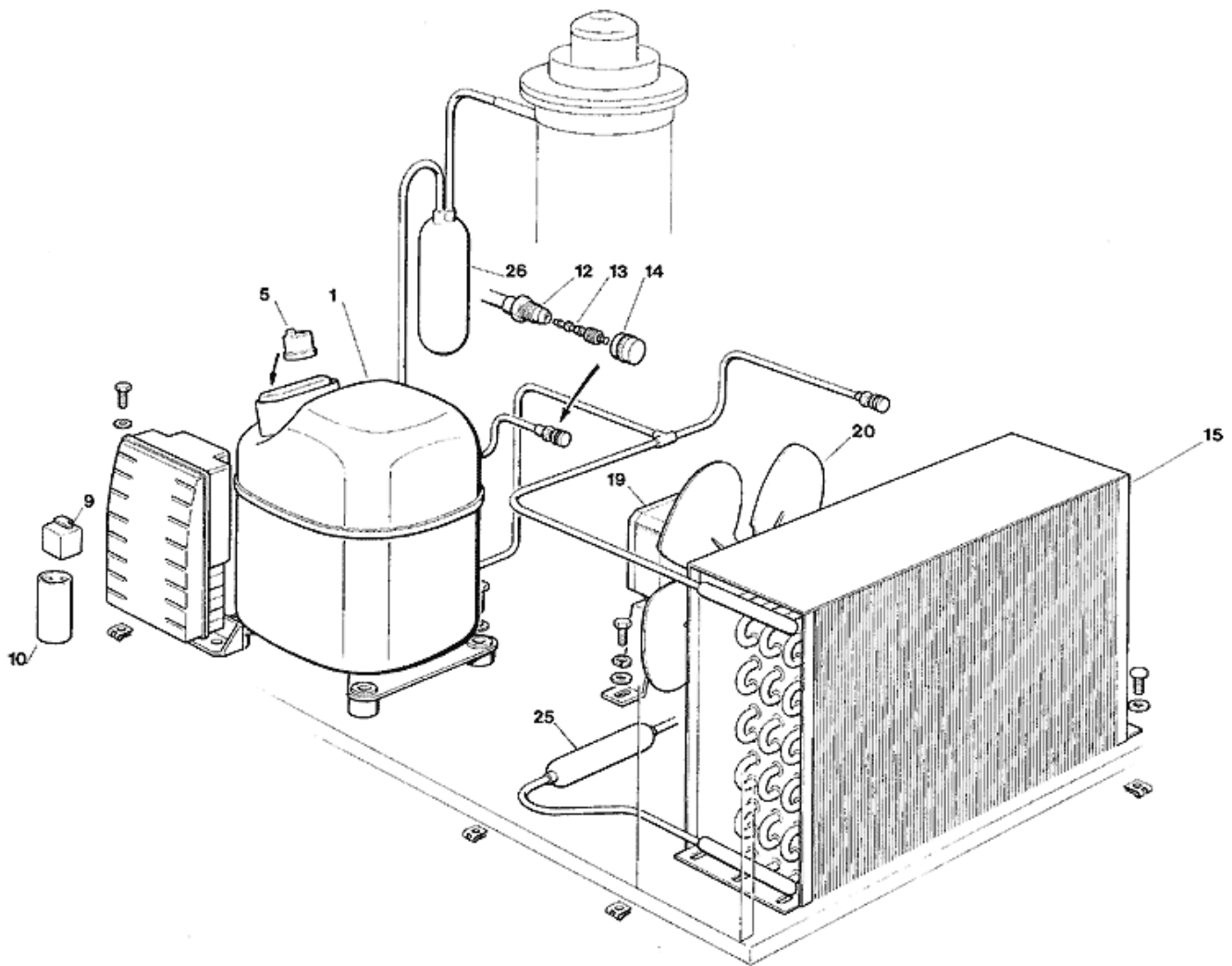
Pos	Code	Description
0001	SC701864 20	FRONT BRACKET
0001	SC781479 00	UNIT BASE
0003	SC702352 00	REAR BRACKET
0004	SC650624 04	LABEL
0004	SC650850 00	SCOTSMAN EMBLEM
0004	SC650905 15	LABEL
0004	SC722293 00	FRONT PANEL
0005	SC722294 00	RIGHT SIDE PANEL
0006	SC722295 00	LEFT SIDE PANEL
0007	SC722296 00	REAR PANEL
0008	SC660890 00	TOP PANEL



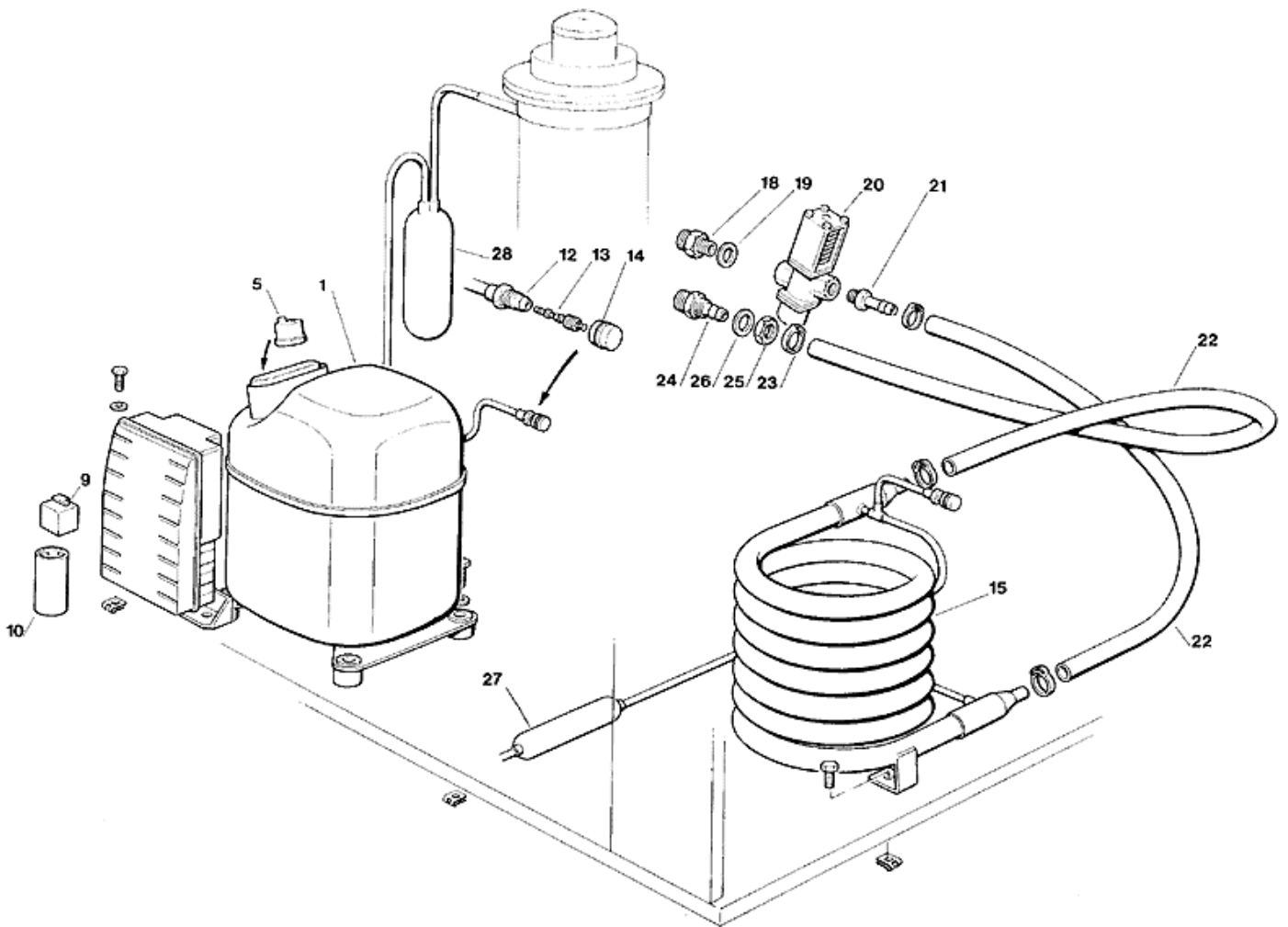
Pos	Code	Description
0001	SC670100 01	COMPRESSOR 230/50/1
0001	SC670100 03	USE SC670100 24
0001	SC670100 08	COMPRESSOR 230/60/1
0005	SC620058 68	PROTECTOR - 8570581
0005	SCCUB 102190	PROTECTOR
0005	SCCUB 102200	PROTECTOR
0009	SC620057 59	RELAY - 8662692
0009	SCCUB 405177	RELAY
0009	SCCUB 405178	RELAY
0010	SC620167 55	START CAPACITOR - 8640173
0010	SCCUB 102661	START CAPACITOR
0012	SC650109 00	VALVE BODY
0013	SC670012 00	VALVE CORE
0014	SC650106 00	CAP
0015	SC620439 00	condenser
0019	SC620419 02	FAN MOTOR ATEX
0019	SC620419 03	FAN MOTOR ATEX
0020	SC620419 33	BLADE
0025	SC630003 05	DRIER
0026	SC784464 05R	ACCUMULATOR ASSY



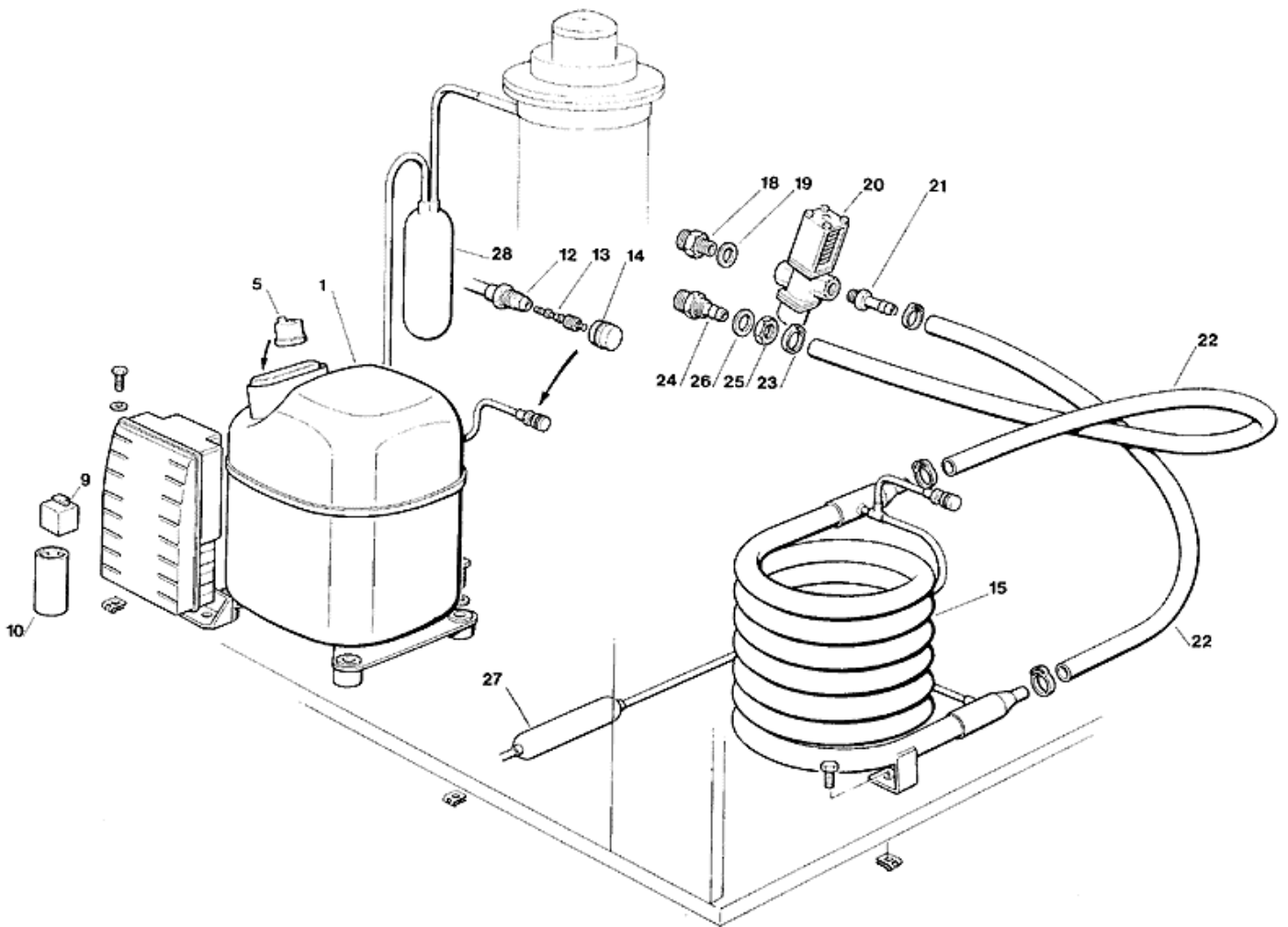
Pos	Code	Description
0001	SC670100 01	COMPRESSOR 230/50/1
0001	SC670100 03	USE SC670100 24
0001	SC670100 08	COMPRESSOR 230/60/1
0005	SC620058 68	PROTECTOR - 8570581
0005	SCCUB 102190	PROTECTOR
0005	SCCUB 102200	PROTECTOR
0009	SC620057 59	RELAY - 8662692
0009	SCCUB 405177	RELAY
0009	SCCUB 405178	RELAY
0010	SC620167 55	START CAPACITOR - 8640173
0010	SCCUB 102661	START CAPACITOR
0012	SC650109 00	VALVE BODY
0013	SC670012 00	VALVE CORE
0014	SC650106 00	CAP
0015	SC620455 00	AIR COOLED CONDENSER
0019	SC620419 02	FAN MOTOR ATEX
0019	SC620419 03	FAN MOTOR ATEX
0020	SC620419 33	BLADE
0025	SC630003 05	DRIER
0026	SC784464 05R	ACCUMULATOR ASSY



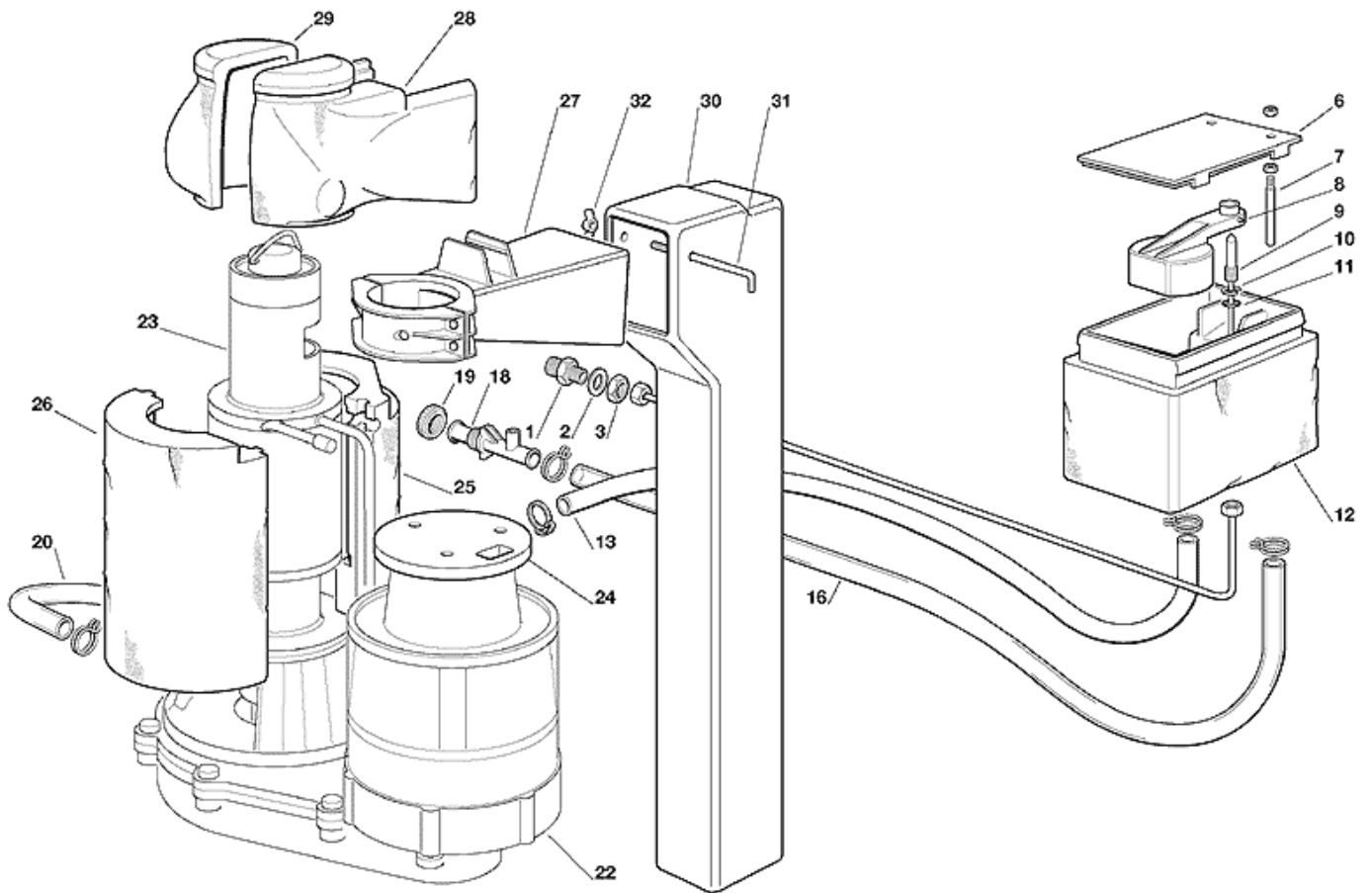
Pos	Code	Description
0001	SC670100 03	USE SC670100 24
0001	SC670100 08	COMPRESSOR 230/60/1
0001	SC670105 05	COMPRESSOR
0005	SC620058 68	PROTECTOR - 8570581
0005	SCCUB 102200	PROTECTOR
0005	SCSEMB 2319079	PROTECTOR
0009	SC620057 59	RELAY - 8662692
0009	SCCUB 405178	RELAY
0009	SCSEMB 2334112	RELAY
0010	SC620167 55	START CAPACITOR - 8640173
0010	SCCUB 102661	START CAPACITOR
0010	SCSEMB 2252345	CAPACITOR
0012	SC650109 00	VALVE BODY
0013	SC670012 00	VALVE CORE
0014	SC650106 00	CAP
0015	SC620455 00	AIR COOLED CONDENSER
0019	SC620419 02	FAN MOTOR ATEX
0019	SC620419 03	FAN MOTOR ATEX
0020	SC620419 33	BLADE
0025	SC630003 03	FILTER
0026	SC784464 05R	ACCUMULATOR ASSY



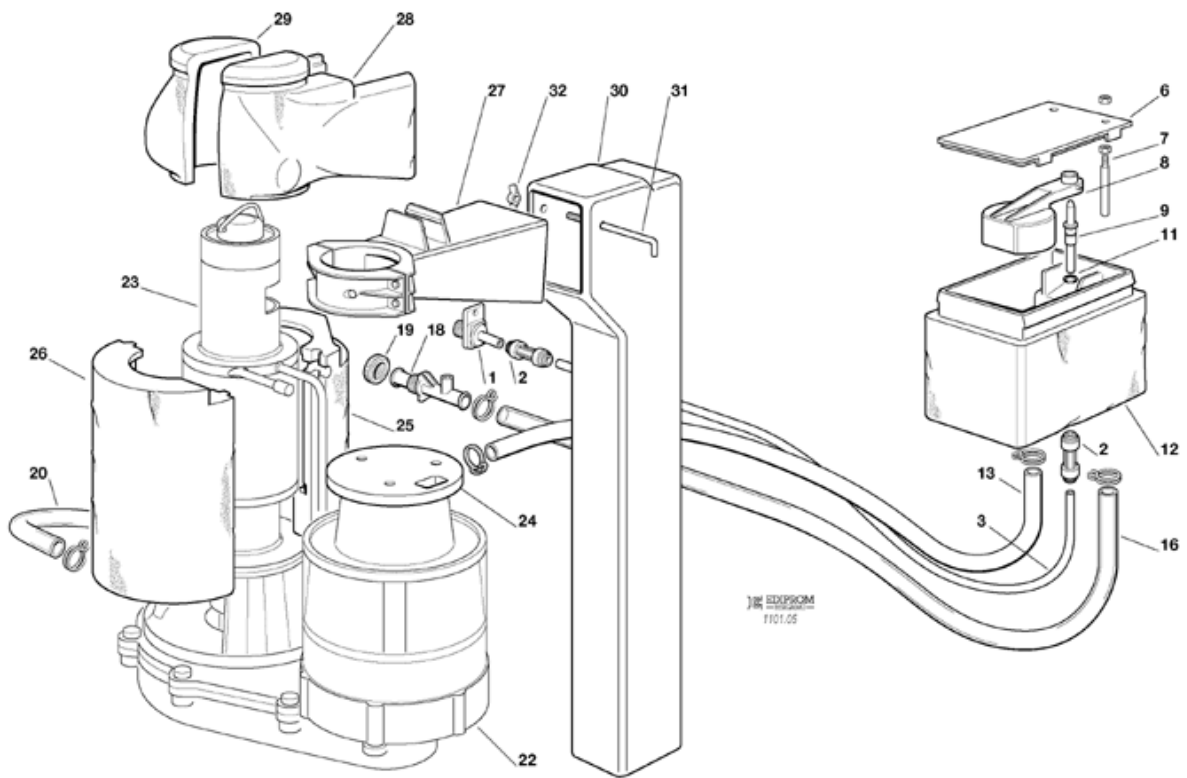
Pos	Code	Description
0001	SC670100 01	COMPRESSOR 230/50/1
0001	SC670100 03	USE SC670100 24
0001	SC670100 08	COMPRESSOR 230/60/1
0005	SC620058 68	PROTECTOR - 8570581
0005	SCCUB 102190	PROTECTOR
0005	SCCUB 102200	PROTECTOR
0009	SC620057 59	RELAY - 8662692
0009	SCCUB 405177	RELAY
0009	SCCUB 405178	RELAY
0010	SC620167 55	START CAPACITOR - 8640173
0010	SCCUB 102661	START CAPACITOR
0012	SC650109 00	VALVE BODY
0013	SC670012 00	VALVE CORE
0014	SC650106 00	CAP
0015	SC620389 00	WATER COOLED CONDENSER
0018	SC733204 00	WATER INLET FITTING
0019	SC400031 01	WASHER
0020	SC620111 00	WATER REGUL. VALVE
0021	SC733173 02	OBSOLETE
0022	SC281900 05	TUBO PVC DN13 (13X19)90°
0024	SC733174 00	FITTING
0025	SC400076 00	NUT
0026	SC400031 00	WASHER
0027	SC630003 05	DRIER
0028	SC784464 05R	ACCUMULATOR ASSY



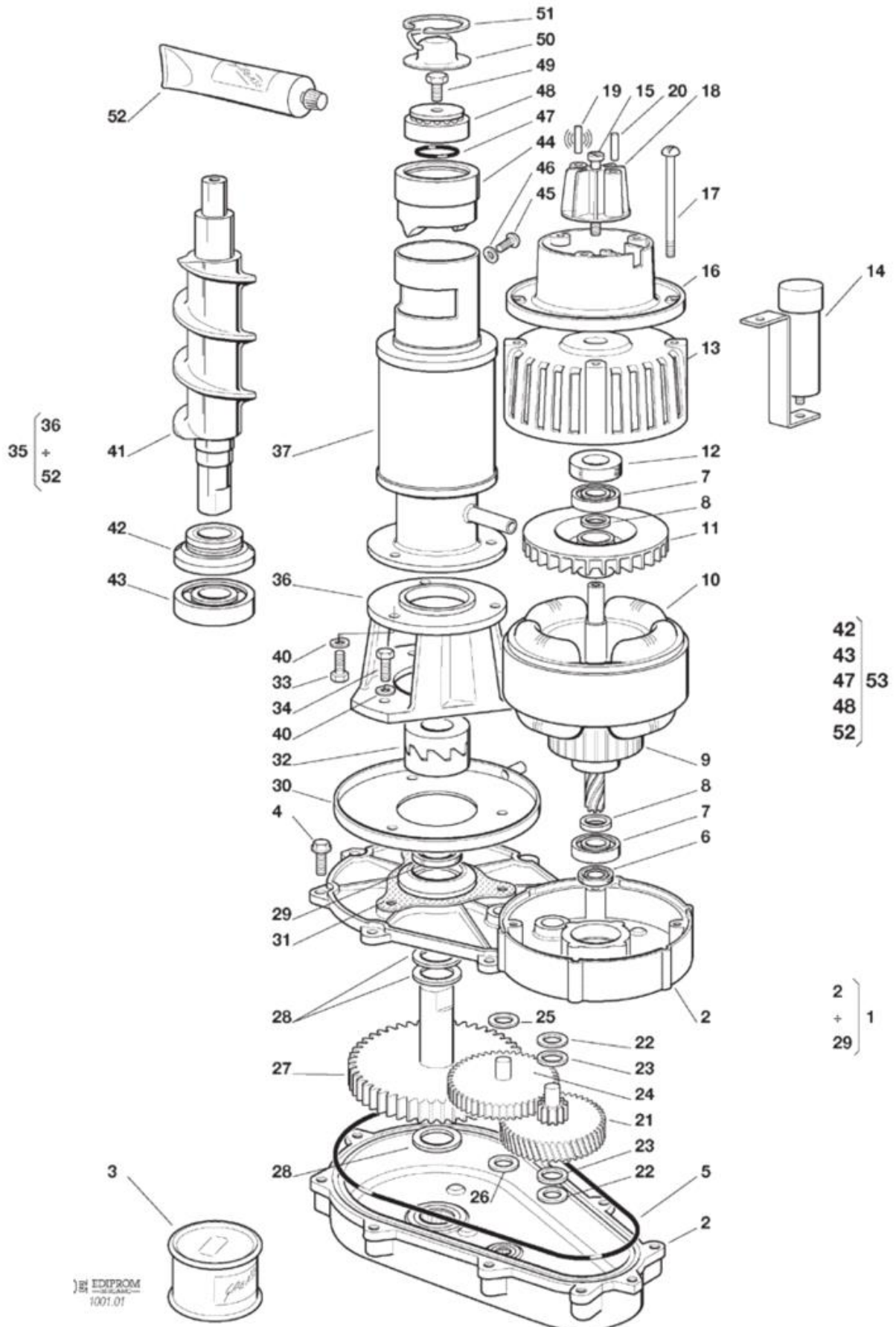
Pos	Code	Description
0001	SC670100 03	USE SC670100 24
0001	SC670100 08	COMPRESSOR 230/60/1
0001	SC670105 05	COMPRESSOR
0005	SC620058 68	PROTECTOR - 8570581
0005	SCCUB 102200	PROTECTOR
0005	SCEMB 2319079	PROTECTOR
0009	SC620057 59	RELAY - 8662692
0009	SCCUB 405178	RELAY
0009	SCEMB 2334112	RELAY
0010	SC620167 55	START CAPACITOR - 8640173
0010	SCCUB 102661	START CAPACITOR
0010	SCEMB 2252345	CAPACITOR
0012	SC650109 00	VALVE BODY
0013	SC670012 00	VALVE CORE
0014	SC650106 00	CAP
0015	SC620389 00	WATER COOLED CONDENSER
0018	SC733204 00	WATER INLET FITTING
0019	SC400031 01	WASHER
0020	SC620111 00	WATER REGUL. VALVE
0021	SC733173 02	OBSOLETE
0022	SC281900 05	TUBO PVC DN13 (13X19)90°
0024	SC733174 00	FITTING
0025	SC400076 00	NUT
0026	SC400031 00	WASHER
0027	SC630003 03	FILTER
0028	SC784464 05R	ACCUMULATOR ASSY



Pos	Code	Description
0002	SC400031 00	WASHER
0003	SC400030 01	NUT
0006	SC660363 00	COVER
0007	SC724215 06	WATER LEVEL METAL PIN
0008	SC660585 00	FLOAT VALVE
0009	SC060742 00	WATER NOZZLE RETROFIT KIT
0010	SC460038 02	RETAINING CLIP
0011	SC640100 00	O RING OR 2025 (WRAS-FDA)
0012	SC793126 01	WATER RESERVOIR
0016	SC281832 00	TUBE
0018	SC660224 00	TEE TUBE
0019	SC660535 00	PLASTIC NUT
0022	SC794225 13R	GEAR REDUCER ASSY - 230/50-60
0022	SC794225 14R	GEAR REDUCER ASSY - 115/60
0023	SC794236 10RR	FREEZER ASSY N SPOUT
0024	SC650515 02	PLASTIC COVER
0025	SC060551 03	KIT INSULATION, FREEZER
0026	SC060551 03	KIT INSULATION, FREEZER
0027	SC660676 03	PLASTIC SPOUT
0028	SC650887 00	SPOUT INSULATION
0029	SC650887 00	SPOUT INSULATION
0030	SC660455 15	PLASTIC CHUTE
0031	SC724180 02	TIE ROAD
0032	SC430083 00	WING NUT

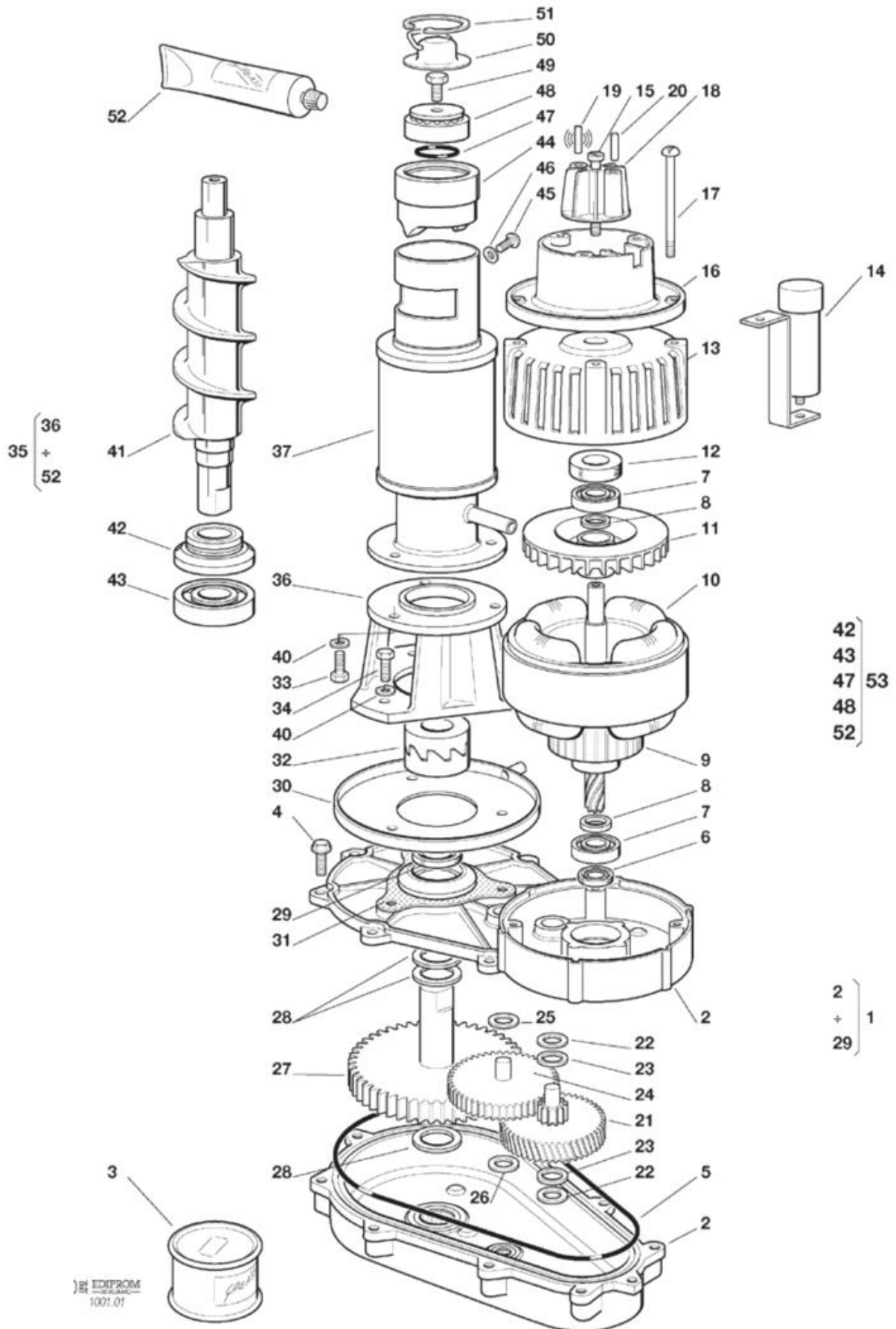


Pos	Code	Description
0001	SC660956 00	WATER IN PLASTIC FITTING
0002	SC651224 04	1/4 F-5/16F CONNECTOR
0003	SC651206 02	1/4 OD NYLON TUBE
0006	SC660363 00	COVER
0007	SC724215 06	WATER LEVEL METAL PIN
0008	SC660585 00	FLOAT VALVE
0009	SC660957 00	PLASTIC NOZZLE
0011	SC640100 00	O RING OR 2025 (WRAS-FDA)
0012	SC660352 00	INSULATION
0012	SC660459 00	WATER RESERVOIR
0016	SC281832 00	TUBE
0018	SC660224 00	TEE TUBE
0019	SC660535 00	PLASTIC NUT
0022	SC794225 13R	GEAR REDUCER ASSY - 230/50-60
0022	SC794225 14R	GEAR REDUCER ASSY - 115/60
0023	SC794236 10RR	FREEZER ASSY N SPOUT
0024	SC650515 02	PLASTIC COVER
0025	SC060551 03	KIT INSULATION, FREEZER
0026	SC060551 03	KIT INSULATION, FREEZER
0027	SC660676 03	PLASTIC SPOUT
0028	SC650887 00	SPOUT INSULATION
0029	SC650887 00	SPOUT INSULATION
0030	SC660455 15	PLASTIC CHUTE
0031	SC724180 02	TIE ROAD
0032	SC430083 00	WING NUT



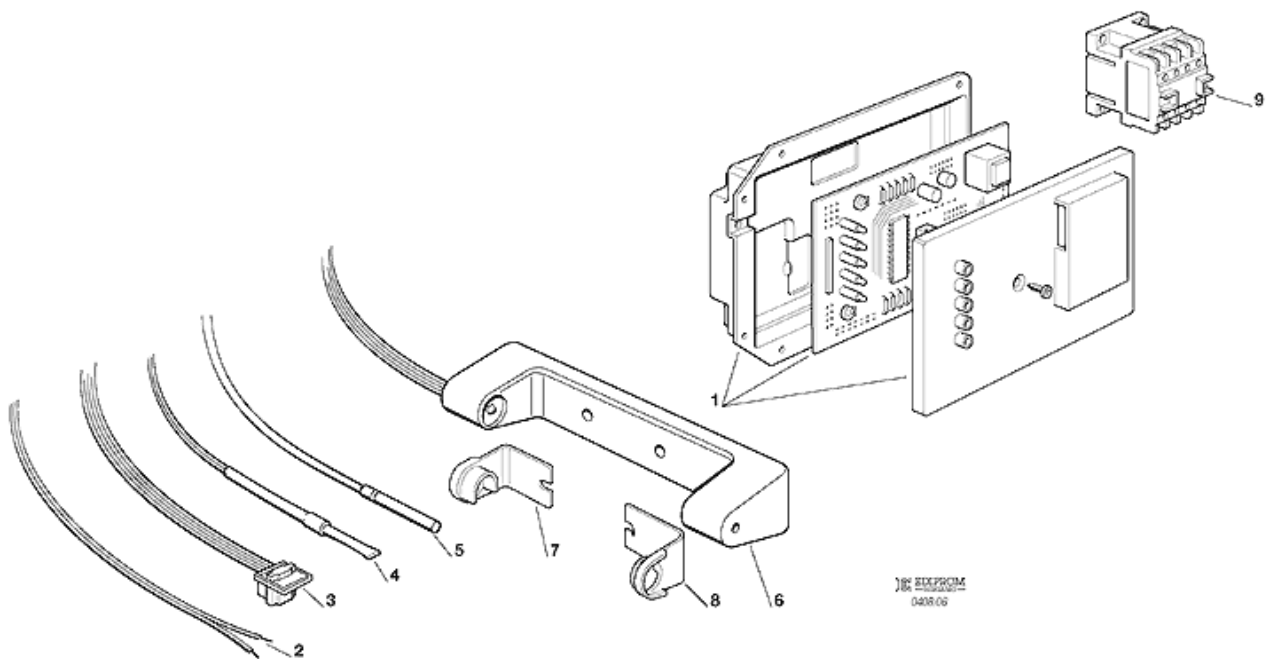
Pos	Code	Description
0001	SC794225 13R	GEAR REDUCER ASSY - 230/50-60
0002	SC001015 01	GEAR CASE KIT
0003	SC060294 04	GEAR REDUCER GREASE 0,5KG
0004	SC03001251 00	OBSOLETE
0004	SC429852 00	SCREW
0005	SC640084 00	O RING
0006	SC640083 00	GREASE SEAL
0007	SC651056 00	BEARING
0008	SC441800 09	SPECIAL WASHER
0009	SC794123 03R	ROTOR ASSY
0010	SC620521 00	STATOR 230V
0010	SC620521 01	STATOR 115V
0011	SC764001 01	BLADE
0012	SC640095 00	RUBBER INSERT
0013	SC794226 01R	MOTOR HOUSING
0014	SC620520 00	CAPACITOR 12,5 MFD
0014	SC620520 03	CAPACITOR 4 MFD
0015	SC03001403 77	PANHEAD MACHINE SCREW
0016	SC650515 01	MOTOR COVER
0017	SC423872 02	SCREW
0018	SC784476 01	MGT BRACKET ASSY
0019	SC784476 01	MGT BRACKET ASSY
0020	SC784476 01	MGT BRACKET ASSY
0021	SC651160 00	GEAR
0022	SC441800 05	WASHER
0023	SC441800 06	WASHER
0024	SC651161 00	GEAR AND PINION
0025	SC441800 08	WASHER
0026	SC441800 07	WASHER
0027	SC651162 01	3RD GEAR & PINION
0028	SC03001408 04	SPECIAL WASHER
0028	SC441808 00	WASHER
0029	SC640019 01	GASKET SMIM 2232/5.5
0030	SC660756 00	WATER DRIP TRAY
0031	SC640041 36	O RING OR 6200 (WRAS-FDA)
0032	SC060359 00	KIT COUPLING AF
0033	SC03001405 38	SCREW
0033	SC420019 00	SCREW
0034	SC420019 00	SCREW
0035	SC794236 10RR	FREEZER ASSY N SPOUT
0036	SC764010 00	FREEZER BRACKET
0037	SC060705 00	USE SC060705 00R
0041	SC640041 40	O RING OR 3068 (WRAS-FDA)
0041	SC724052 07	AUGER AF 20
0042	SC640040 00	WATER SEAL
0043	SC670011 01	BEARING
0044	SC060720 00	ICE BREAKER ASSY
0045	SC420285 05	SCREW
0047	SC640109 01	O RING FDA
0048	SC060720 00	ICE BREAKER ASSY

Pos	Code	Description
0049	SC420030 00	SCREW
0050	SC734105 00	CAP WORM
0051	SC650297 00	SNAP RING
0052	SC263612 00	GREASE FOODLUBE UNIVERSAL 2,0 & 000
0053	SC001028 07	KIT BEARING N SEAL-AF

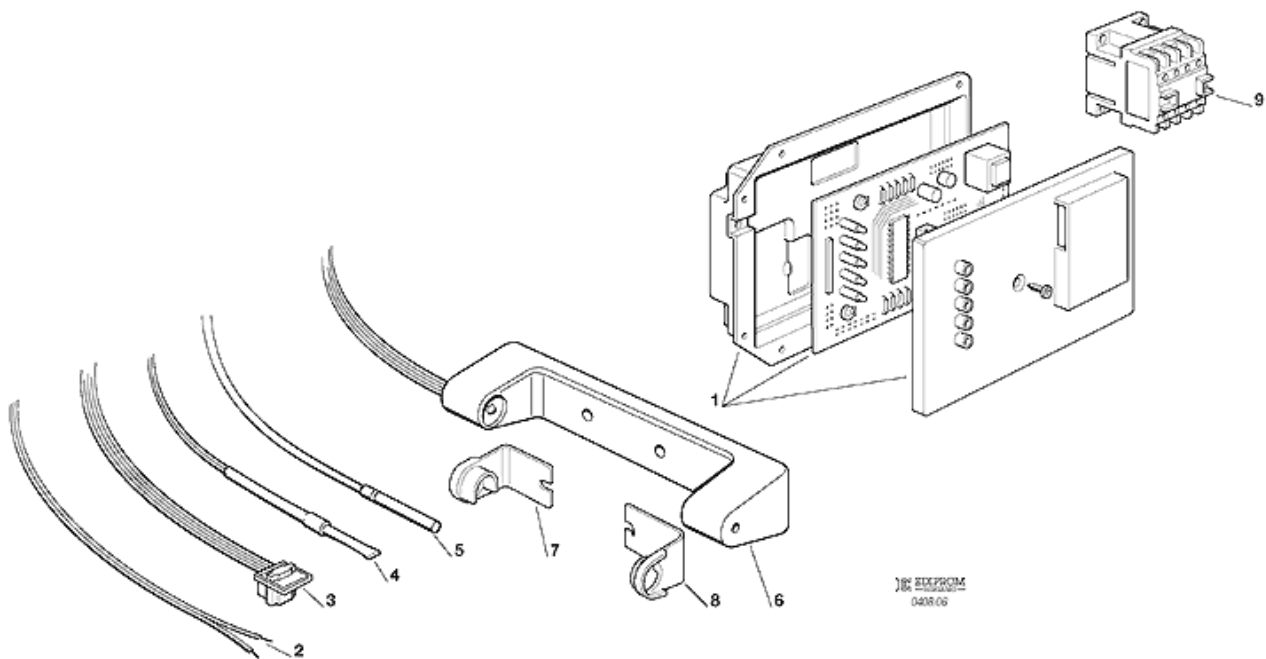


Pos	Code	Description
0001	SC794225 13R	GEAR REDUCER ASSY - 230/50-60
0002	SC001015 01	GEAR CASE KIT
0003	SC060294 04	GEAR REDUCER GREASE 0,5KG
0004	SC03001251 00	OBSOLETE
0004	SC429852 00	SCREW
0005	SC640084 00	O RING
0006	SC640083 00	GREASE SEAL
0007	SC651056 00	BEARING
0008	SC441800 09	SPECIAL WASHER
0009	SC794123 03R	ROTOR ASSY
0010	SC620521 00	STATOR 230V
0010	SC620521 01	STATOR 115V
0011	SC764001 01	BLADE
0012	SC640095 00	RUBBER INSERT
0013	SC794226 01R	MOTOR HOUSING
0014	SC620520 00	CAPACITOR 12,5 MFD
0014	SC620520 03	CAPACITOR 4 MFD
0015	SC03001403 77	PANHEAD MACHINE SCREW
0016	SC650515 01	MOTOR COVER
0017	SC423872 02	SCREW
0018	SC784476 01	MGT BRACKET ASSY
0019	SC784476 01	MGT BRACKET ASSY
0020	SC784476 01	MGT BRACKET ASSY
0021	SC651160 00	GEAR
0022	SC441800 05	WASHER
0023	SC441800 06	WASHER
0024	SC651161 00	GEAR AND PINION
0025	SC441800 08	WASHER
0026	SC441800 07	WASHER
0027	SC651162 01	3RD GEAR & PINION
0028	SC03001408 04	SPECIAL WASHER
0028	SC441808 00	WASHER
0029	SC640019 01	GASKET SMIM 2232/5.5
0030	SC660756 00	WATER DRIP TRAY
0031	SC640041 36	O RING OR 6200 (WRAS-FDA)
0032	SC060359 00	KIT COUPLING AF
0033	SC03001405 38	SCREW
0033	SC420019 00	SCREW
0034	SC420019 00	SCREW
0035	SC794236 10RR	FREEZER ASSY N SPOUT
0036	SC764010 00	FREEZER BRACKET
0037	SC060705 00	USE SC060705 00R
0041	SC640041 40	O RING OR 3068 (WRAS-FDA)
0041	SC724052 07	AUGER AF 20
0042	SC640040 00	WATER SEAL
0043	SC670011 01	BEARING
0044	SC060720 00	ICE BREAKER ASSY
0045	SC420285 05	SCREW
0047	SC640109 01	O RING FDA
0048	SC060720 00	ICE BREAKER ASSY

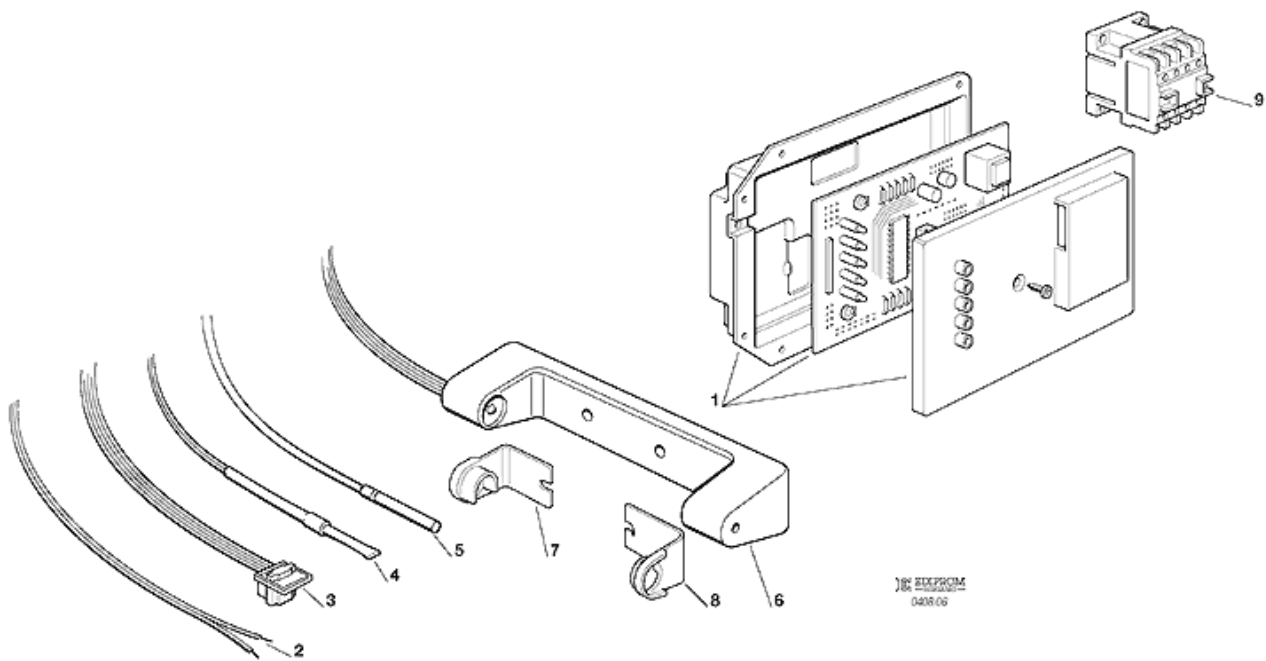
Pos	Code	Description
0049	SC420030 00	SCREW
0050	SC734105 00	CAP WORM
0051	SC650297 00	SNAP RING
0052	SC263612 00	GREASE FOODLUBE UNIVERSAL 2,0 & 000
0053	SC001028 07	KIT BEARING N SEAL-AF



Pos	Code	Description
0001	SC060711 11	PC BOARD KIT 230V
0001	SC060711 13	PC BOARD KIT 115V
0002	SC620404 13	WATER LEVEL PINS HERNESS
0003	SC620404 03	HALL SENSOR
0004	SC620404 11	CONDENSER SENSOR
0005	SC620404 10	EVAPORATOR SENSOR - NLA
0006	SC650674 02	ICE LEVEL CTRL-3 MTRS
0007	SC660720 00	PLASTIC PROTECTION LEFT
0008	SC660720 01	PLASTIC PROTECTION RIGHT
0009	SC630119 04	CONTACTOR 115/60/1



Pos	Code	Description
0001	SC060711 11	PC BOARD KIT 230V
0001	SC060711 13	PC BOARD KIT 115V
0002	SC620519 02	WATER SENSOR HARNESS-NTC
0003	SC620404 03	HALL SENSOR
0004	SC620519 04	CONDENSER SENSOR NTC
0005	SC620519 01	EVAPORATOR SENSOR NTC
0006	SC650674 02	ICE LEVEL CTRL-3 MTRS
0007	SC660720 00	PLASTIC PROTECTION LEFT
0008	SC660720 01	PLASTIC PROTECTION RIGHT
0009	SC630119 04	CONTACTOR 115/60/1



Pos	Code	Description
0001	SC620462 16	PC BOARD - 115 V
0001	SC620462 23	PC BOARD 230V
0001	SC630015 15	FUSE T6,3A - 250V
0002	SC620519 02	WATER SENSOR HARNESS-NTC
0003	SC620404 03	HALL SENSOR
0004	SC620519 04	CONDENSER SENSOR NTC
0005	SC620519 01	EVAPORATOR SENSOR NTC
0006	SC650674 02	ICE LEVEL CTRL-3 MTRS
0007	SC660720 00	PLASTIC PROTECTION LEFT
0008	SC660720 01	PLASTIC PROTECTION RIGHT
0009	SC630119 04	CONTACTOR 115/60/1