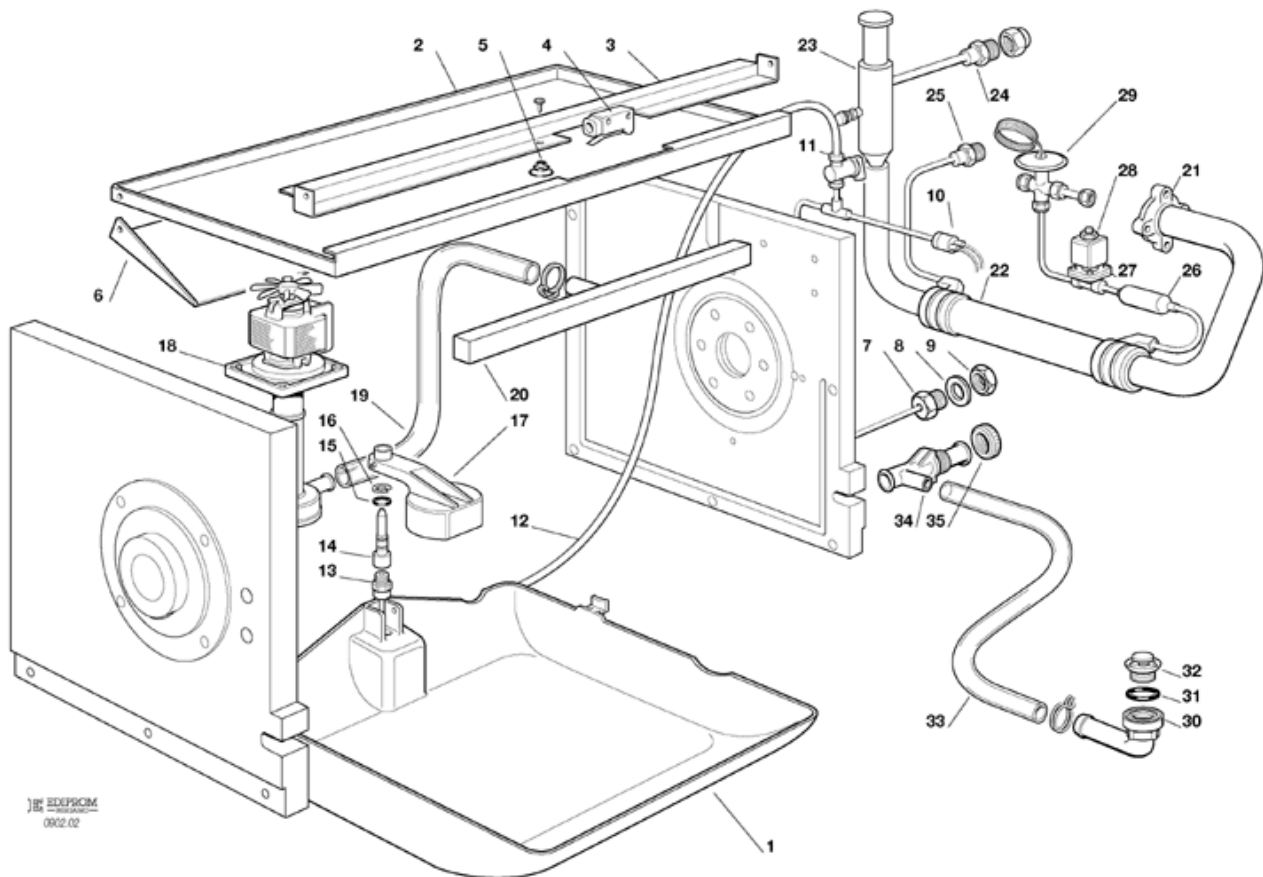
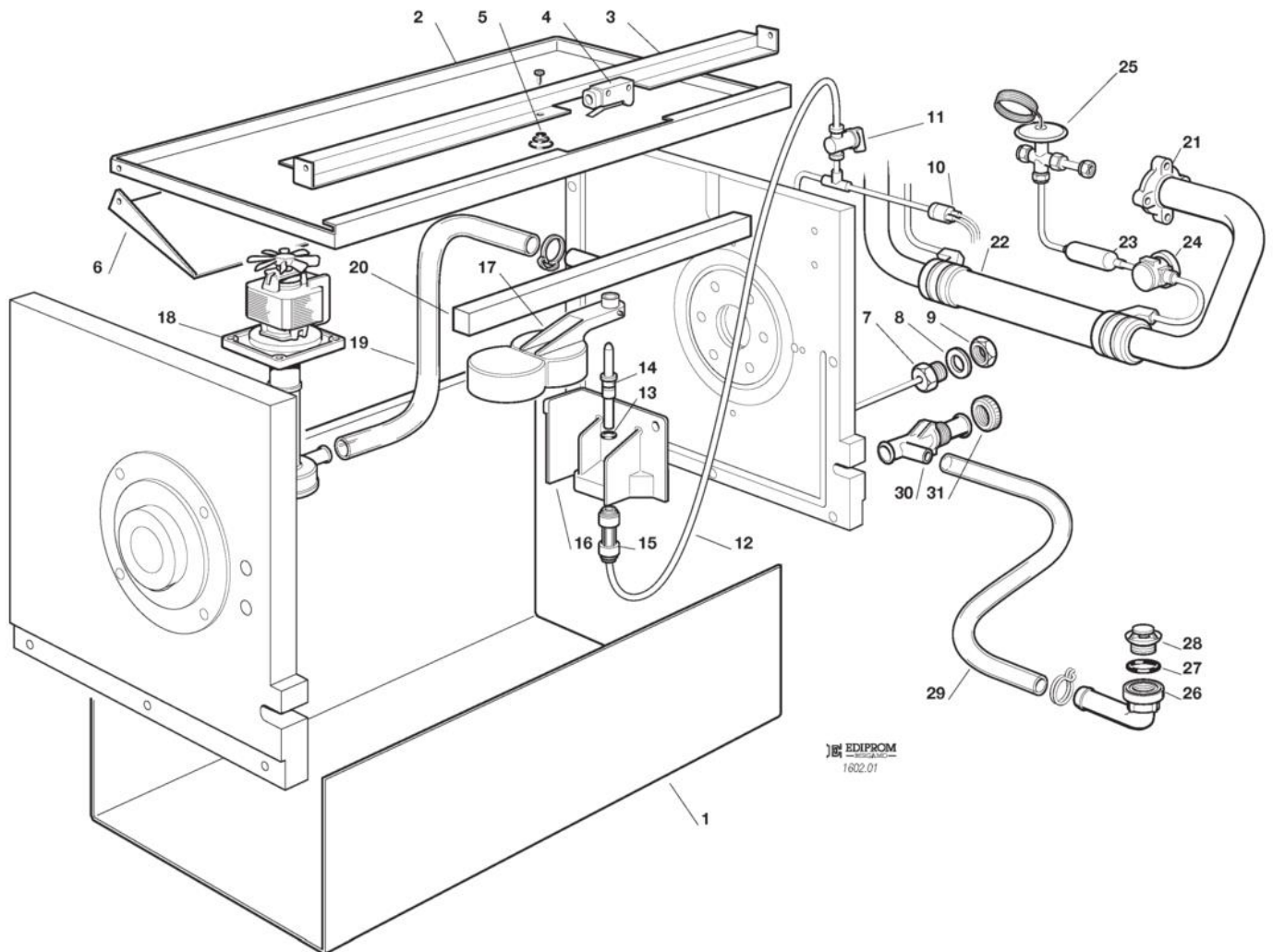


EDIPROM  
1801.01

Pos	Code	Description
0001	SC784500 01	UNIT BASE
0002	SC721728 00	LEFT SIDE PANEL
0003	SC721723 00	RIGHT SIDE PANEL
0004	SC784501 07	PANEL, REAR LEFT
0005	SC784502 16R	PANEL REAR RIGHT ASSY
0006	SC791108 01R	ASSY FRONT PANEL
0007	SC650850 00	SCOTSMAN EMBLEM
0008	SC660724 02	ICE SPOUT LARGE - USE SC660724 03
0009	SC741120 00	TEFLON ICE CHUTE
0010	SC650595 00	PLASTIC BUTTON
0011	SC721733 00	EVAPORATOR COVER
0012	SC660954 00	TOP PANEL

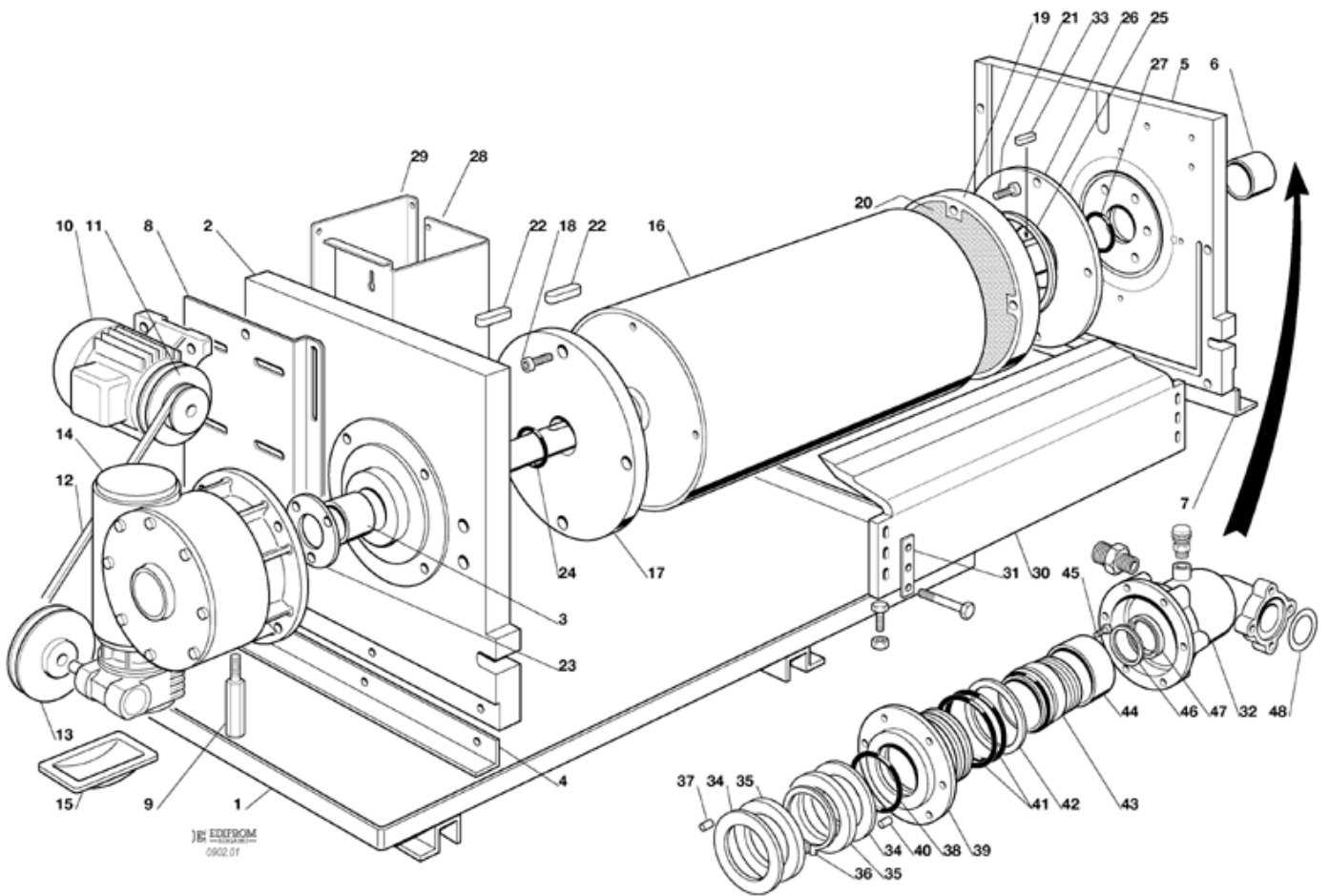


Pos	Code	Description
0001	SC660943 00	NLA
0002	SC724483 00	PRESSURE PLATE
0003	SC724482 00	SPOUT SWITCH BRACKET
0004	SC620366 00	SPOUT SWITCH
0005	SC650161 01	SPRING
0006	SC724278 01	S.S. PLATE
0007	SC650104 00	FILTER
0007	SC651224 04	1/4 F-5/16F CONNECTOR
0007	SC660956 00	WATER IN PLASTIC FITTING
0010	SC620451 00	PRESSOSTAT
0011	SC651206 00	WATER TAP
0012	SC651206 02	1/4 OD NYLON TUBE
0013	SC651224 04	1/4 F-5/16F CONNECTOR
0014	SC660957 01	PLASTIC NOZZLE
0015	SC640100 00	O RING OR 2025 (WRAS-FDA)
0017	SC660585 01	FLOAT VALVE
0018	SC620433 02	WATER PUMP 230V/50HZ/1PH
0019	SC610169 06	TUBE
0020	SC650739 01	SPRAY TUBE
0021	SC650521 00	BRASS FLANGE
0022	SC620317 02	HEAT EXCHANGER
0023	SC620454 02	EVAP. PRESSURE REG. VALVE
0024	SC640076 09	GASKET
0024	SC650521 00	BRASS FLANGE
0025	SC650517 01	FLANGE FITTING
0026	SC630117 00	MECH. FILTER
0027	SC620306 07	HOT GAS VALVE BODY
0028	SC620306 48	HOT GAS VALVE COIL
0029	SC620427 57	AUT. EXP. VALVE
0030	SC660213 01	FITTING
0031	SC640134 00	O RING
0032	SC660211 01	DRAIN FILTER
0033	SC610148 10	TUBE
0034	SC660224 02	WATER DRAIN FITTING - ONE INLET
0035	SC660535 00	PLASTIC NUT



EDIPROM  
1602.01

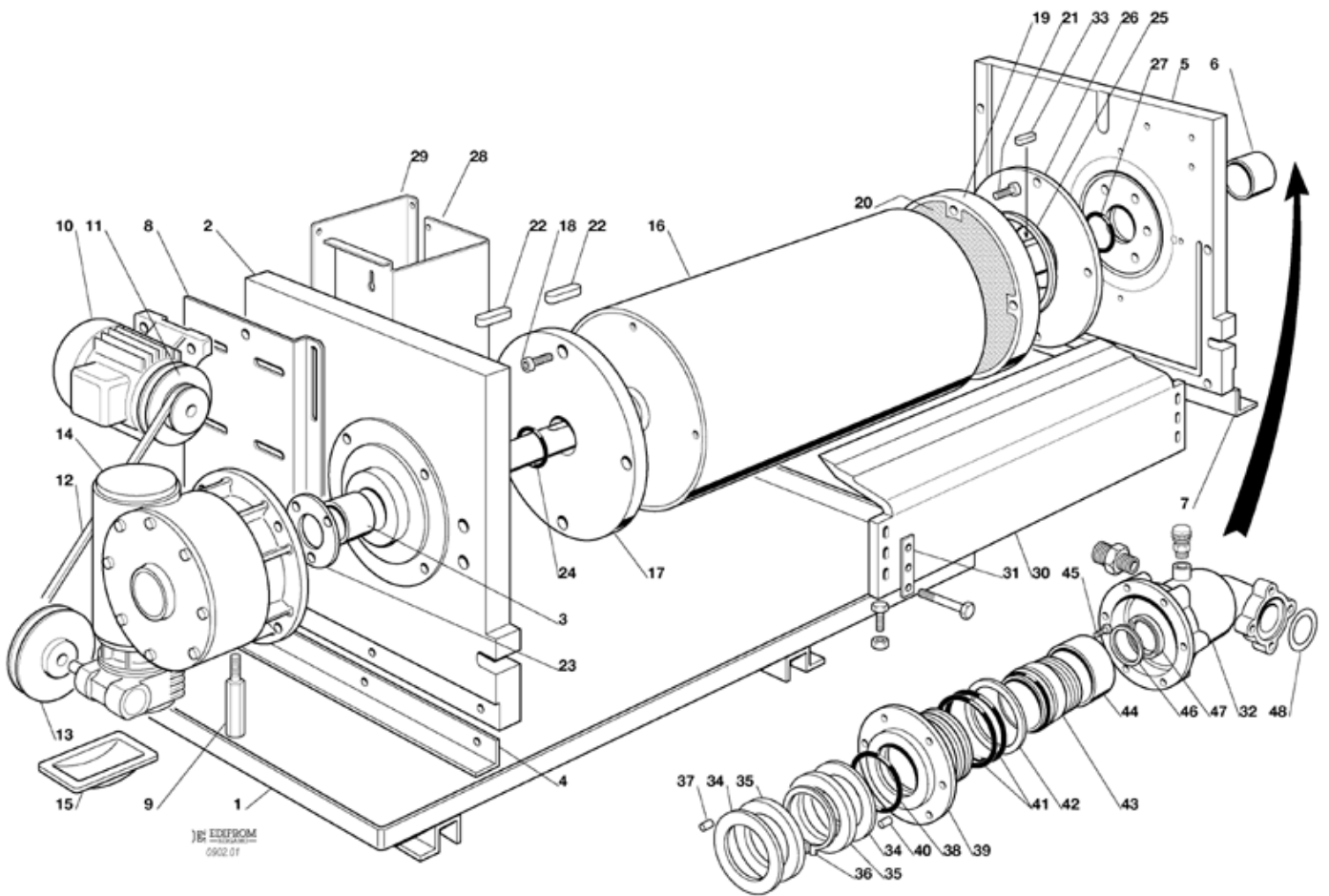
Pos	Code	Description
0001	SC722749 00	BASIN BODY
0002	SC620458 00	SCREW
0002	SC724483 00	PRESSURE PLATE
0003	SC724482 00	SPOUT SWITCH BRACKET
0004	SC620366 00	SPOUT SWITCH
0005	SC650161 01	SPRING
0006	SC724278 01	S.S. PLATE
0007	SC650104 00	FILTER
0008	SC651224 04	1/4 F-5/16F CONNECTOR
0009	SC660956 00	WATER IN PLASTIC FITTING
0010	SC620451 00	PRESSOSTAT
0011	SC651206 00	WATER TAP
0012	SC651206 02	1/4 OD NYLON TUBE
0013	SC640100 00	O RING OR 2025 (WRAS-FDA)
0014	SC660957 01	PLASTIC NOZZLE
0015	SC651224 04	1/4 F-5/16F CONNECTOR
0016	SC743128 02	FLOAT VALVE BRKT
0017	SC660585 01	FLOAT VALVE
0018	SC620433 02	WATER PUMP 230V/50HZ/1PH
0019	SC610169 06	TUBE
0020	SC650739 01	SPRAY TUBE
0021	SC640076 09	GASKET
0021	SC650521 00	BRASS FLANGE
0022	SC620317 02	HEAT EXCHANGER
0023	SC630117 00	MECH. FILTER
0025	SC620427 57	AUT. EXP. VALVE
0026	SC660213 01	FITTING
0027	SC640134 00	O RING
0028	SC660211 01	DRAIN FILTER
0029	SC620427 57	AUT. EXP. VALVE
0030	SC660224 02	WATER DRAIN FITTING - ONE INLET
0031	SC660535 00	PLASTIC NUT



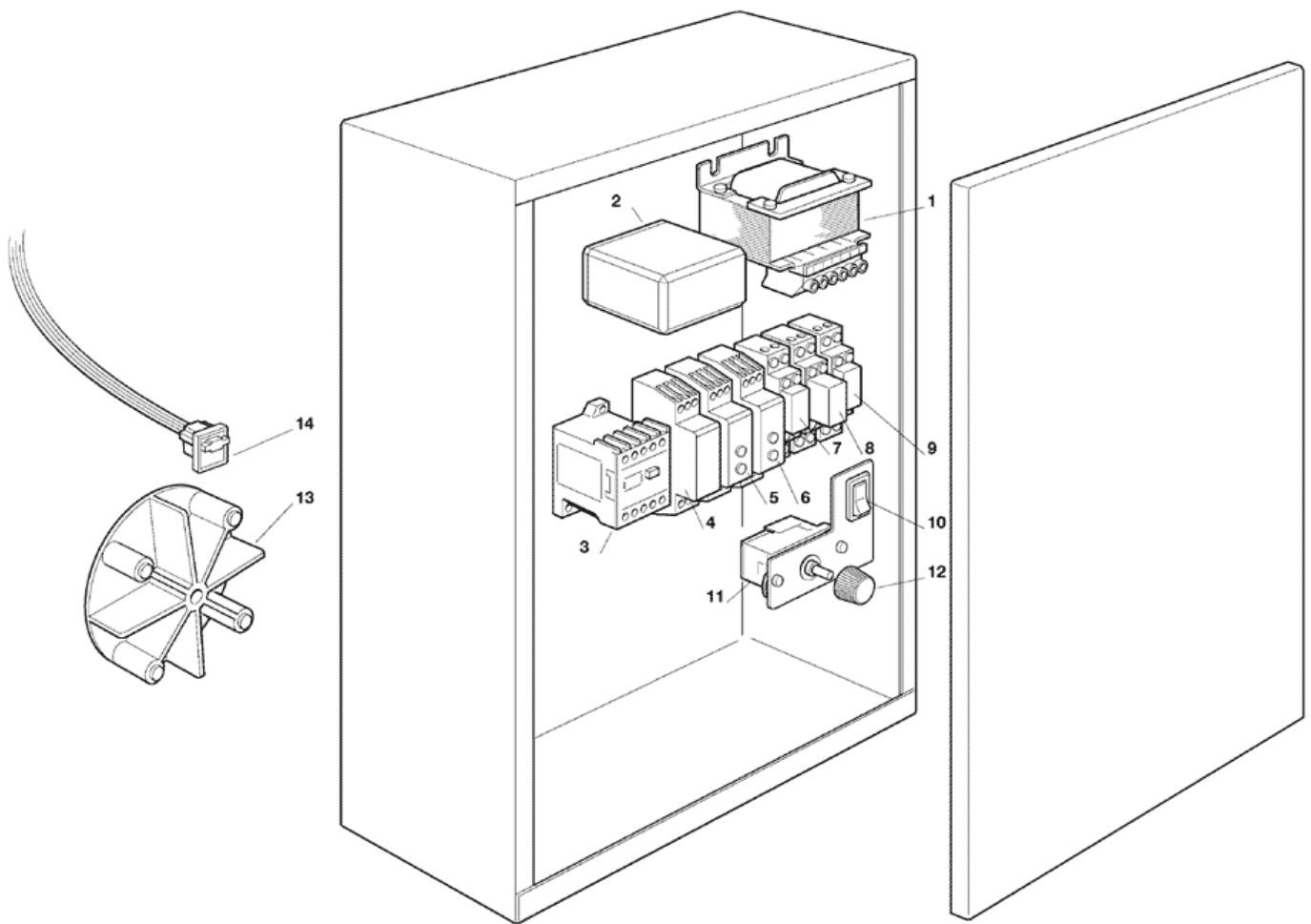


Pos	Code	Description
0001	SC722683 00	WATER DRIP TRAY
0002	SC660946 01	BESIN SIDE-GEAR REDUCER
0003	SC651060 01R	BUSHING
0005	SC660945 01	BESIN SIDE-REFRIGERANT
0006	SC651060 02R	BUSHING
0008	SC784350 12	MOTOR BRACKET SLEIGHT
0010	SC620316 02	DRIVE MOTOR
0011	SC650879 05	PULLEY 83
0012	SC650878 02	V BELT XPZ937
0013	SC650879 08	PULLEY 129
0014	SC060682 01	GEAR REDUCER KIT
0016	SC784353 09	DRUM ASSY
0017	SC742111 01	SPACER RIGHT
0018	SC420014 10	SCREW
0019	SC742110 01	EVAP. SPACER
0020	SC650615 01	EVAP. INSULATION
0021	SC420014 09	SCREW
0022	SC741092 03	FIBER KEY
0023	SC724254 06	FLANGE
0024	SC640041 18	O RING
0025	SC640107 01	GASKET
0027	SC640041 18	O RING
0028	SC724432 00	WATER PUMP BRACKET
0029	SC724433 00	WATER PUMP BRACKET COVER
0030	SC723168 01	SCRAPING BLADE
0031	SC721341 03	PLATE
0032	SC650865 00	INSULATION
0032	SC651219 00	INSULATION
0032	SC651816 00	GUARNIZIONE PIANA PER MAR
0032	SC743127 01	REFR. MANIFOLD
0033	SC724260 00	KEY
0034	SC651061 00	WASHER
0035	SC724257 00	SPACER
0036	SC460000 02	CLIP RING
0037	SC723133 00	PIN
0038	SC640041 13	O RING
0039	SC724307 00	RING HOUSING
0040	SC460039 03	ROLL PIN
0041	SC640041 80	O RING
0042	SC640101 00	O RING
0043	SC001028 05	KIT SEAL MECH. & GASKET
0043	SC060670 00	GASKET KIT - MAR
0044	SC724308 00	SPACER RING
0045	SC420014 08	SCREW
0046	SC724256 01	WASHER
0047	SC640096 00	RING GASKET W/SPRING
0048	SC640076 09	GASKET





Pos	Code	Description
0001	SC722683 00	WATER DRIP TRAY
0002	SC660946 01	BESIN SIDE-GEAR REDUCER
0003	SC651060 01R	BUSHING
0005	SC660945 01	BESIN SIDE-REFRIGERANT
0006	SC651060 02R	BUSHING
0008	SC784350 12	MOTOR BRACKET SLEIGHT
0010	SC620316 02	DRIVE MOTOR
0011	SC650879 05	PULLEY 83
0012	SC650878 02	V BELT XPZ937
0013	SC650879 08	PULLEY 129
0014	SC620512 01	GEAR REDUCER V176001
0016	SC784353 09	DRUM ASSY
0017	SC742111 01	SPACER RIGHT
0018	SC420014 10	SCREW
0019	SC742110 01	EVAP. SPACER
0020	SC650615 01	EVAP. INSULATION
0021	SC420014 09	SCREW
0022	SC741092 03	FIBER KEY
0023	SC724254 06	FLANGE
0024	SC640041 18	O RING
0025	SC640107 01	GASKET
0027	SC640041 18	O RING
0028	SC724432 00	WATER PUMP BRACKET
0029	SC724433 00	WATER PUMP BRACKET COVER
0030	SC723168 01	SCRAPING BLADE
0031	SC721341 03	PLATE
0032	SC650865 00	INSULATION
0032	SC651219 00	INSULATION
0032	SC651816 00	GUARNIZIONE PIANA PER MAR
0032	SC743127 01	REFR. MANIFOLD
0033	SC724260 00	KEY
0034	SC651061 00	WASHER
0035	SC724257 00	SPACER
0036	SC460000 02	CLIP RING
0037	SC723133 00	PIN
0038	SC640041 13	O RING
0039	SC724307 00	RING HOUSING
0040	SC460039 03	ROLL PIN
0041	SC640041 80	O RING
0042	SC640101 00	O RING
0043	SC001028 05	KIT SEAL MECH. & GASKET
0043	SC060670 00	GASKET KIT - MAR
0044	SC724308 00	SPACER RING
0045	SC420014 08	SCREW
0046	SC724256 01	WASHER
0047	SC640096 00	RING GASKET W/SPRING
0048	SC640076 09	GASKET



Pos	Code	Description
0001	SC620505 00	TRANSFORMER 230-12V
0002	SC620488 01	ROTATION CONTROL
0003	SC620631 05	CONTACTOR
0004	SC620631 01	PHASE MONITORING RELAY
0005	SC620485 00	DELAY TIMER
0006	SC620485 00	DELAY TIMER
0007	SC060749 00	KIT RELAY & RELAY SOCKET
0008	SC620509 01	USE SC060749 00
0009	SC060749 00	KIT RELAY & RELAY SOCKET
0010	SCEQ PULS01	PUSH BUTTON - USE SC620631 08
0011	SC620631 02	BIN THERMOSTAT
0013	SC784476 02	BRACKET ROTOR ASSY
0014	SC620404 03	HALL SENSOR