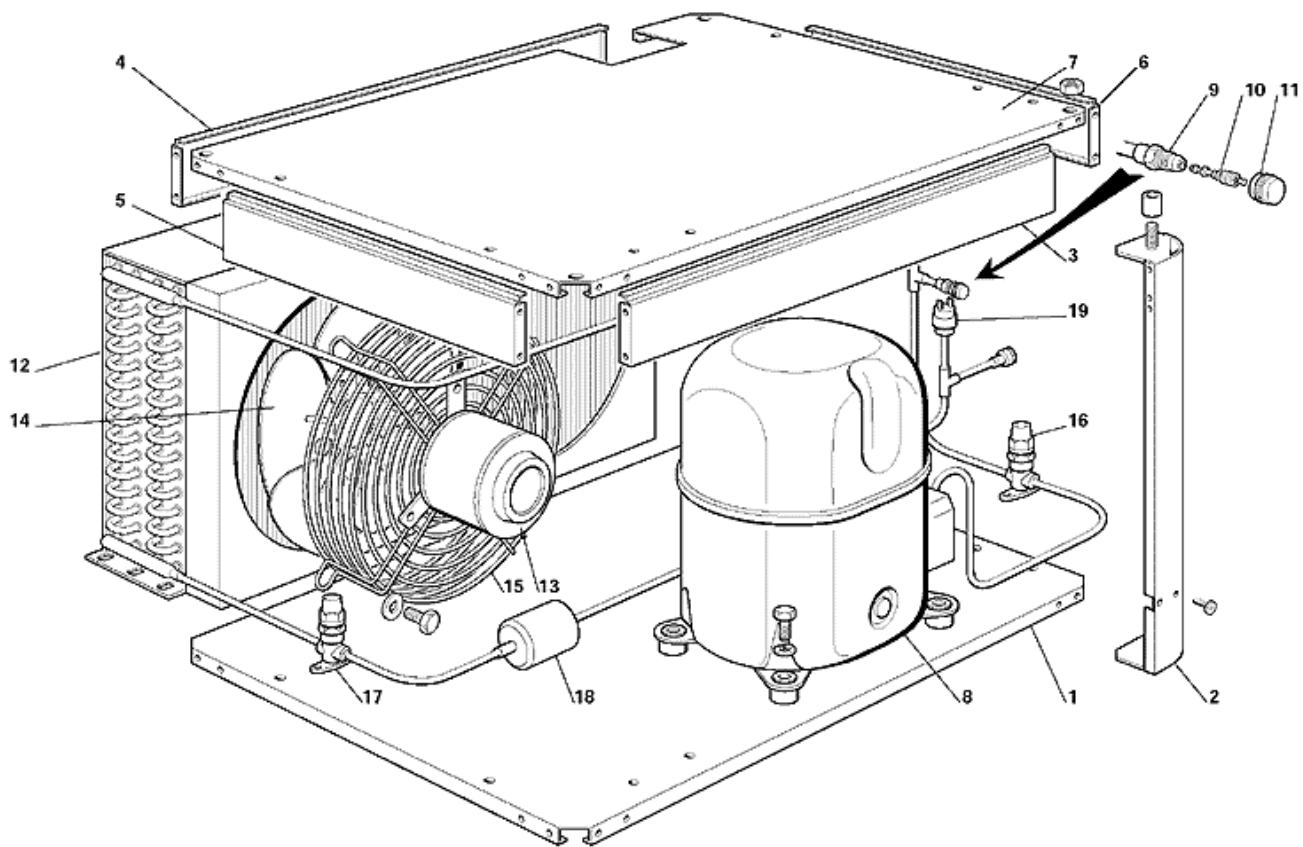
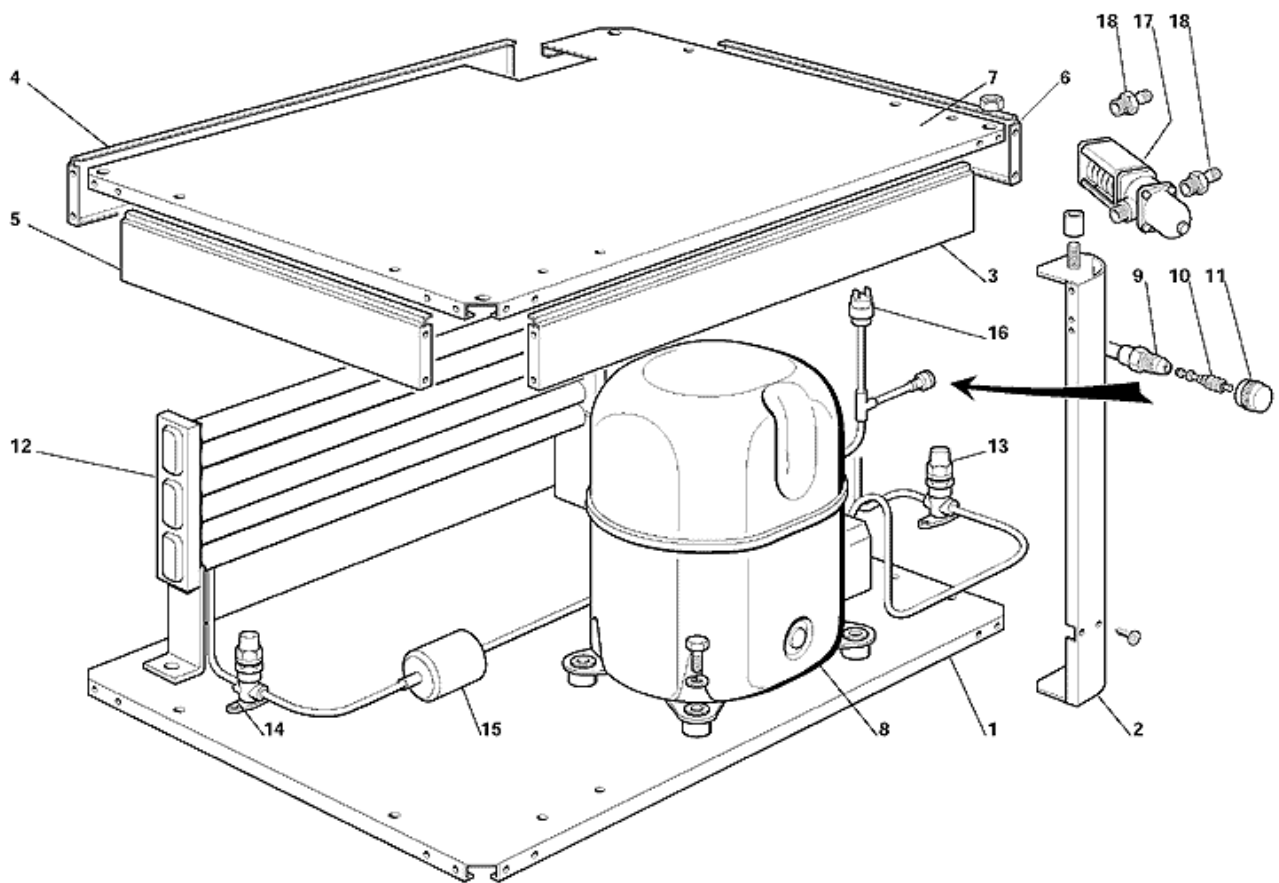


EDIPROM
1801.01

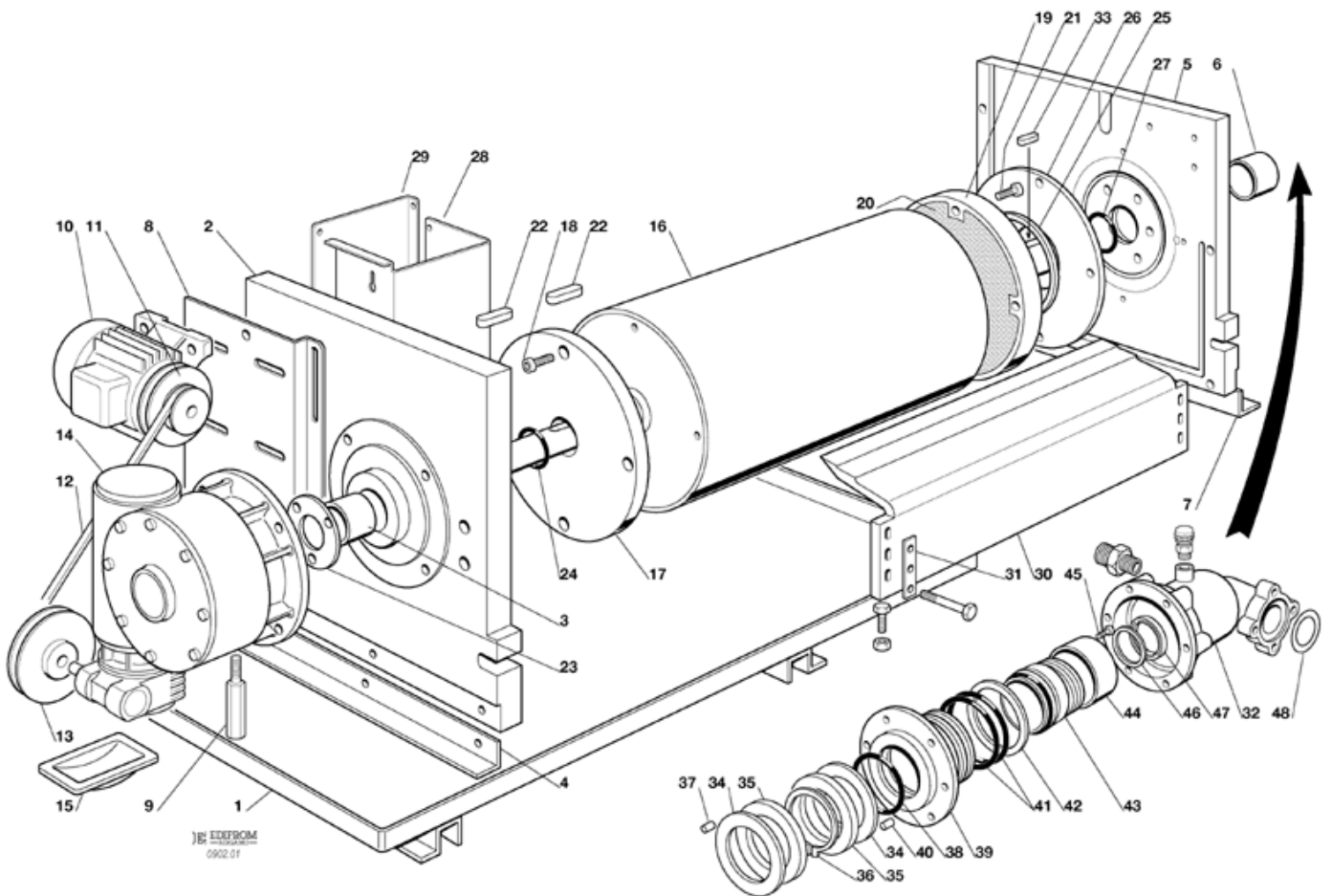
Pos	Code	Description
0001	SC784500 03	BASE ASSY
0002	SC721722 00	PANEL, LEFT SIDE
0003	SC721723 00	RIGHT SIDE PANEL
0004	SC784501 06R	PANEL REAR LEFT ASSY
0005	SC784502 14	REAR RIGHT PANEL
0006	SC784503 06	FRONT PANEL ASSY
0007	SC650850 00	SCOTSMAN EMBLEM
0008	SC660723 02	SPOUT OPENING FRAME
0009	SC741120 01	TEFLON ICE CHUTE
0010	SC650595 00	PLASTIC BUTTON
0011	SC721725 00	EVAPORATOR COVER
0012	SC660953 00	PLASTIC TOP PANEL



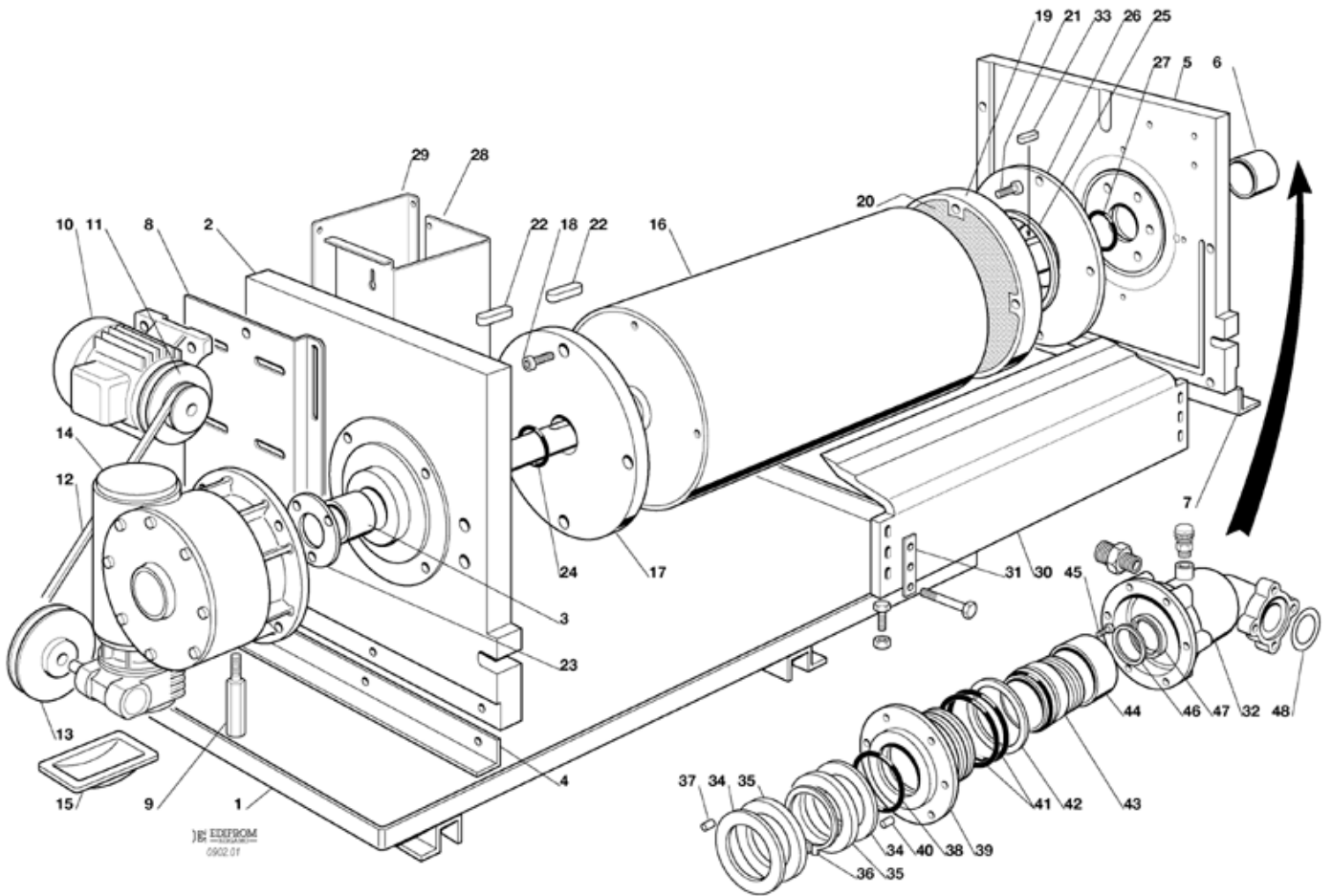
Pos	Code	Description
0001	SC784500 05	UNIT BASE ASSY
0002	SC784505 00	COLUMN ASSY
0003	SC721759 01	BRACKET
0004	SC721759 01	BRACKET
0005	SC721759 00	BRACKET
0006	SC721759 00	BRACKET
0007	SC784500 03	BASE ASSY
0008	SC670102 02	COMP. TAG2516Z 400/50/3 (WX2855030105)
0009	SC650109 00	VALVE BODY
0010	SC670012 00	VALVE CORE
0011	SC650106 00	CAP
0012	SC620446 00	AIR COOLED CONDENSER
0013	SC620273 02	MOTOR - USE SC620641 00
0014	SC620274 01	USE SC620641 00
0015	SC620641 00	FAN MOTOR ASSY
0016	SC620372 05	SERVICE VALVE
0017	SC620372 05	SERVICE VALVE
0018	SC670024 01	FILTER
0019	SC620451 00	PRESSOSTAT



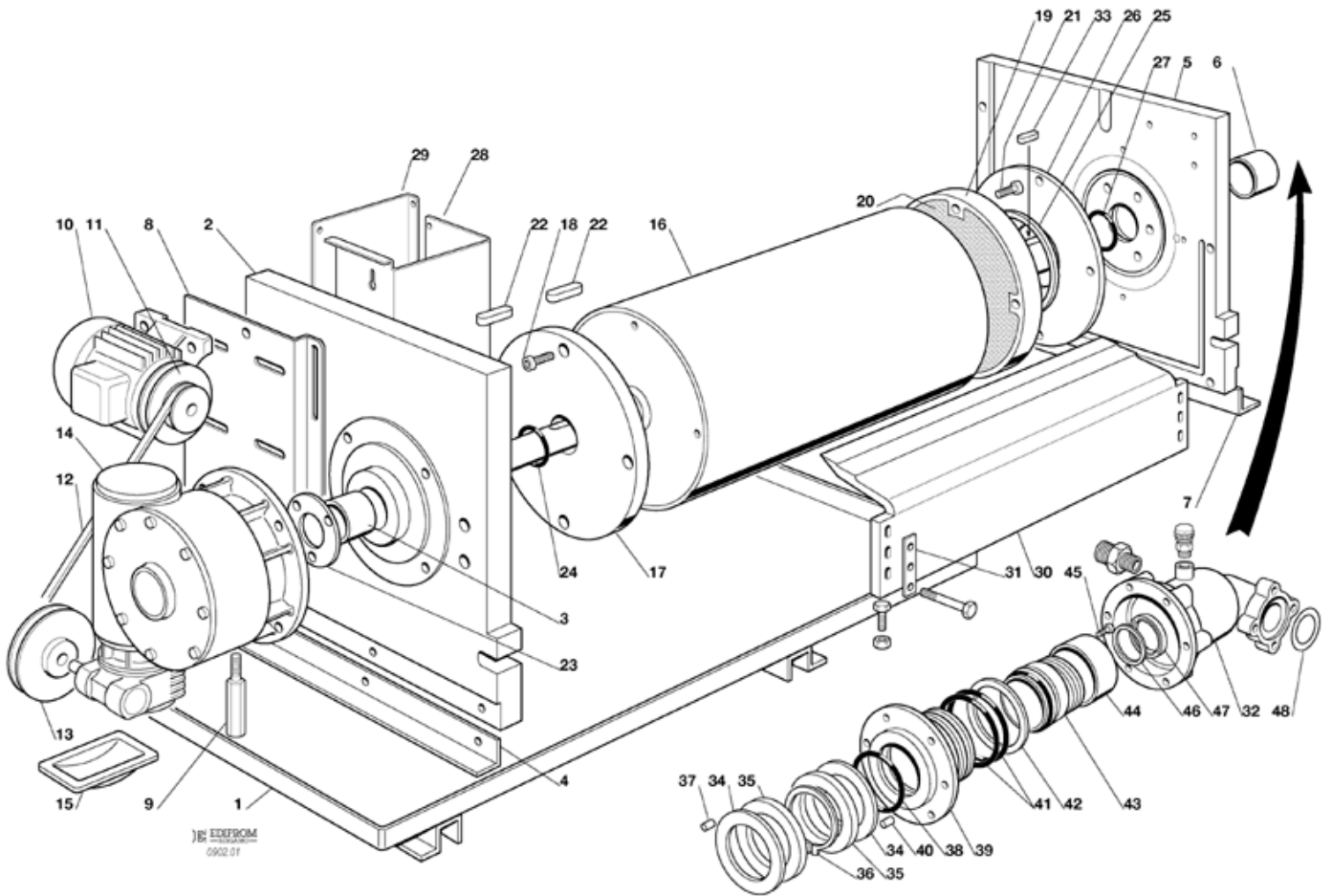
Pos	Code	Description
0001	SC784500 06	UNIT BASE ASSY
0002	SC784505 00	COLUMN ASSY
0003	SC721759 01	BRACKET
0004	SC721759 01	BRACKET
0005	SC721759 00	BRACKET
0006	SC721759 00	BRACKET
0007	SC784500 03	BASE ASSY
0008	SC670102 02	COMP. TAG2516Z 400/50/3 (WX2855030105)
0009	SC650109 00	VALVE BODY
0010	SC670012 00	VALVE CORE
0011	SC650106 00	CAP
0012	SC620332 00	WATER COOLED CONDENSER
0013	SC620372 05	SERVICE VALVE
0014	SC620372 05	SERVICE VALVE
0015	SC670024 01	FILTER
0016	SC620451 00	PRESSOSTAT
0017	SC620111 00	WATER REGUL. VALVE
0018	SC650754 01	WATER OUTLET FITTING



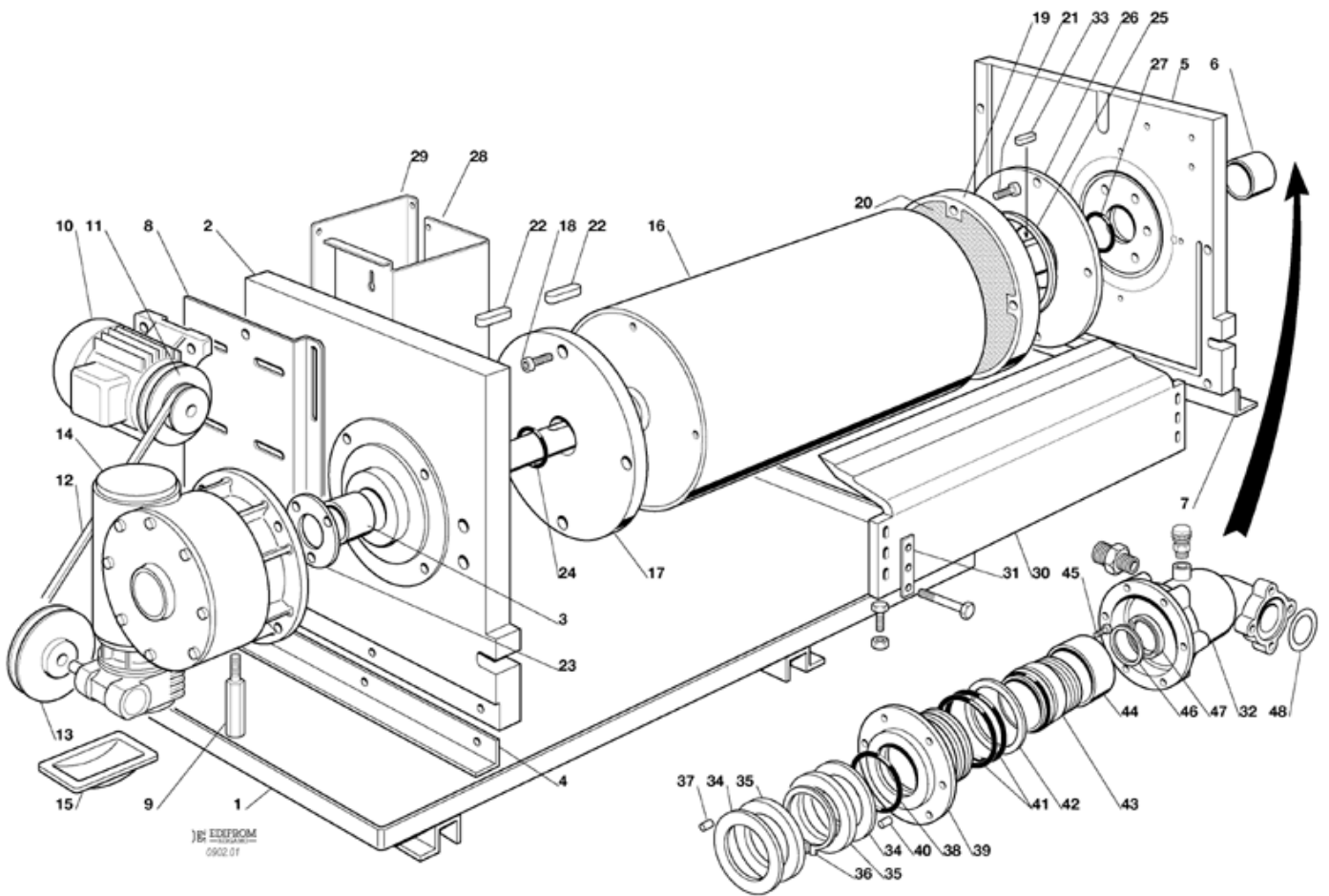
Pos	Code	Description
0001	SC722777 00	S.S. WATER DRIP TRAY
0002	SC742108 00	BASIN SIDE-GEAR RED. SIDE
0003	SC651060 00R	BUSHING
0005	SC742129 00	BASIN SIDE- REFR.SIDE
0006	SC651060 02R	BUSHING
0008	SC784350 10	ASSY SLITTA MOT. MAR105
0010	SC620316 02	DRIVE MOTOR
0011	SC650879 05	PULLEY 83
0012	SC650878 01	V BELT XPZ900
0013	SC650879 10	NLA
0014	SC060682 00	GEAR REDUCER & PULLEY KIT
0016	SC784353 08	DRUM ASSY
0017	SC742111 00	SPACER RIGHT
0018	SC420014 10	SCREW
0019	SC742110 00	EVAP. SPACER
0020	SC650615 00	EVAP. INSULATION
0021	SC420014 09	SCREW
0022	SC741092 04	SPECIAL KEY
0023	SC724254 05	FLANGE
0024	SC640041 19	O RING
0025	SC640107 00	GASKET
0027	SC640041 18	O RING
0028	SC724432 00	WATER PUMP BRACKET
0029	SC724433 00	WATER PUMP BRACKET COVER
0030	SC723123 08	OBSOLETE
0031	SC721341 02	METAL PLATE
0032	SC650865 00	INSULATION
0032	SC651219 00	INSULATION
0032	SC651816 00	GUARNIZIONE PIANA PER MAR
0032	SC743127 01	REFR. MANIFOLD
0033	SC724260 00	KEY
0034	SC651061 00	WASHER
0035	SC724257 00	SPACER
0036	SC460000 02	CLIP RING
0037	SC723133 00	PIN
0038	SC640041 13	O RING
0039	SC724307 00	RING HOUSING
0040	SC460039 03	ROLL PIN
0041	SC640041 80	O RING
0042	SC640101 00	O RING
0043	SC001028 05	KIT SEAL MECH. & GASKET
0043	SC060670 00	GASKET KIT - MAR
0044	SC724308 00	SPACER RING
0045	SC420014 08	SCREW
0046	SC724256 01	WASHER
0047	SC640096 00	RING GASKET W/SPRING
0048	SC640076 09	GASKET



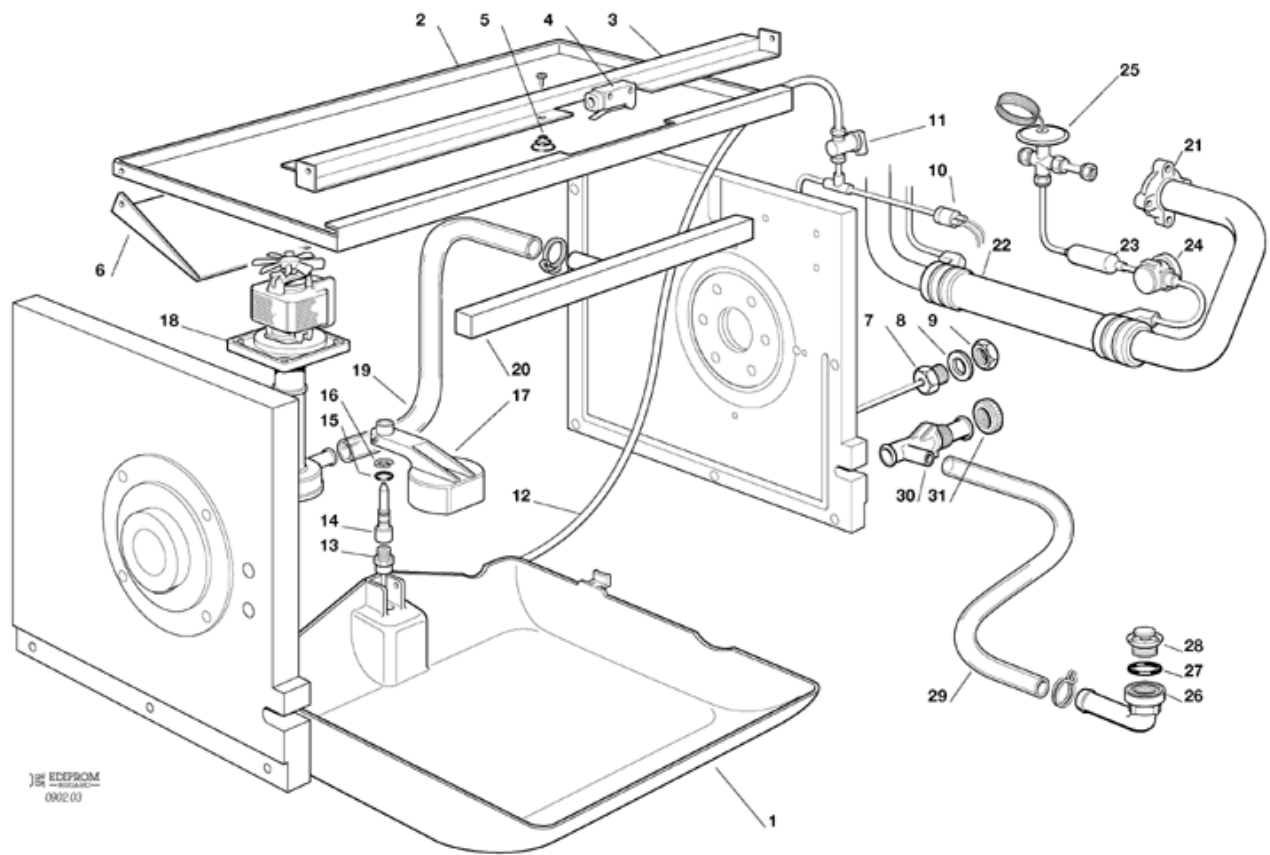
Pos	Code	Description
0001	SC722777 00	S.S. WATER DRIP TRAY
0002	SC742108 00	BASIN SIDE-GEAR RED. SIDE
0003	SC651060 00R	BUSHING
0005	SC742129 00	BASIN SIDE- REFR.SIDE
0006	SC651060 02R	BUSHING
0008	SC784350 10	ASSY SLITTA MOT. MAR105
0010	SC620316 02	DRIVE MOTOR
0011	SC650879 05	PULLEY 83
0012	SC650878 00	V BELT XPZ850
0013	SC650878 00	V BELT XPZ850
0014	SC620512 00	GEAR REDUCER
0016	SC784353 08	DRUM ASSY
0017	SC742111 00	SPACER RIGHT
0018	SC420014 10	SCREW
0019	SC742110 00	EVAP. SPACER
0020	SC650615 00	EVAP. INSULATION
0021	SC420014 09	SCREW
0022	SC741092 04	SPECIAL KEY
0023	SC724254 05	FLANGE
0024	SC640041 19	O RING
0025	SC640107 00	GASKET
0027	SC640041 18	O RING
0028	SC724432 00	WATER PUMP BRACKET
0029	SC724433 00	WATER PUMP BRACKET COVER
0030	SC723123 08	OBSOLETE
0031	SC721341 02	METAL PLATE
0032	SC650865 00	INSULATION
0032	SC651219 00	INSULATION
0032	SC651816 00	GUARNIZIONE PIANA PER MAR
0032	SC743127 01	REFR. MANIFOLD
0033	SC724260 00	KEY
0034	SC651061 00	WASHER
0035	SC724257 00	SPACER
0036	SC460000 02	CLIP RING
0037	SC723133 00	PIN
0038	SC640041 13	O RING
0039	SC724307 00	RING HOUSING
0040	SC460039 03	ROLL PIN
0041	SC640041 80	O RING
0042	SC640101 00	O RING
0043	SC001028 05	KIT SEAL MECH. & GASKET
0043	SC060670 00	GASKET KIT - MAR
0044	SC724308 00	SPACER RING
0045	SC420014 08	SCREW
0046	SC724256 01	WASHER
0047	SC640096 00	RING GASKET W/SPRING
0048	SC640076 09	GASKET



Pos	Code	Description
0001	SC722777 00	S.S. WATER DRIP TRAY
0002	SC660936 01	BASIN SIDE - GEAR SIDE
0003	SC651060 00R	BUSHING
0005	SC660935 01	BASIN SIDE - REFR.SIDE
0006	SC651060 02R	BUSHING
0008	SC784350 10	ASSY SLITTA MOT. MAR105
0010	SC620316 02	DRIVE MOTOR
0011	SC650879 05	PULLEY 83
0012	SC650878 00	V BELT XPZ850
0013	SC650879 11	PULLEY
0014	SC620512 00	GEAR REDUCER
0016	SC784353 08	DRUM ASSY
0017	SC742111 00	SPACER RIGHT
0018	SC420014 10	SCREW
0019	SC742110 00	EVAP. SPACER
0020	SC650615 00	EVAP. INSULATION
0021	SC420014 09	SCREW
0022	SC741092 04	SPECIAL KEY
0023	SC724254 05	FLANGE
0024	SC640041 19	O RING
0025	SC640107 00	GASKET
0027	SC640041 18	O RING
0028	SC724432 00	WATER PUMP BRACKET
0029	SC724433 00	WATER PUMP BRACKET COVER
0030	SC723168 00	SCRAPING BLADE
0031	SC721341 02	METAL PLATE
0032	SC650865 00	INSULATION
0032	SC651219 00	INSULATION
0032	SC651816 00	GUARNIZIONE PIANA PER MAR
0032	SC743127 01	REFR. MANIFOLD
0033	SC724260 00	KEY
0034	SC651061 00	WASHER
0035	SC724257 00	SPACER
0036	SC460000 02	CLIP RING
0037	SC723133 00	PIN
0038	SC640041 13	O RING
0039	SC724307 00	RING HOUSING
0040	SC460039 03	ROLL PIN
0041	SC640041 80	O RING
0042	SC640101 00	O RING
0043	SC001028 05	KIT SEAL MECH. & GASKET
0043	SC060670 00	GASKET KIT - MAR
0044	SC724308 00	SPACER RING
0045	SC420014 08	SCREW
0046	SC724256 01	WASHER
0047	SC640096 00	RING GASKET W/SPRING
0048	SC640076 09	GASKET

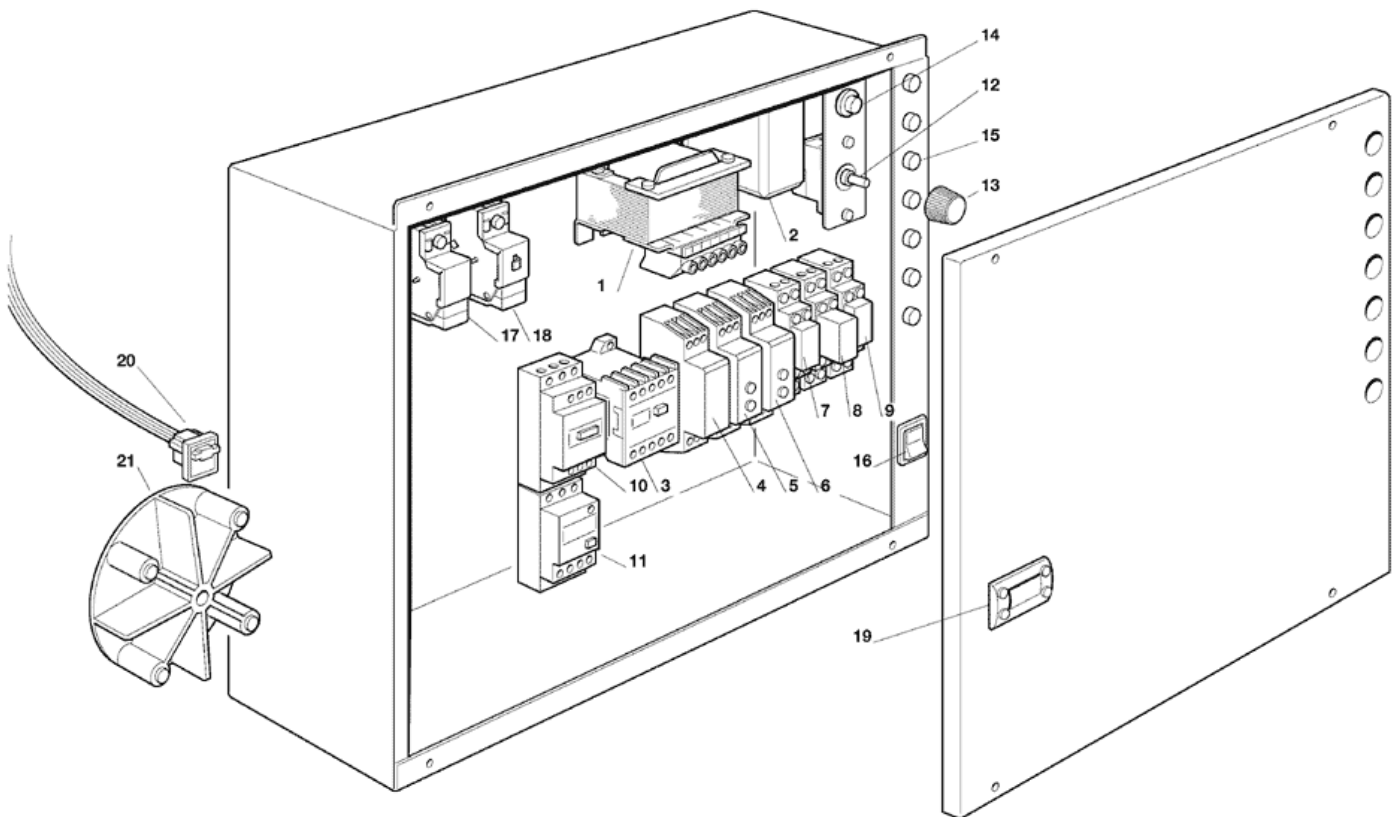


Pos	Code	Description
0001	SC722777 00	S.S. WATER DRIP TRAY
0002	SC660936 01	BASIN SIDE - GEAR SIDE
0003	SC651060 00R	BUSHING
0005	SC660935 01	BASIN SIDE - REFR.SIDE
0006	SC651060 02R	BUSHING
0008	SC784350 10	ASSY SLITTA MOT. MAR105
0010	SC620316 02	DRIVE MOTOR
0011	SC650879 05	PULLEY 83
0012	SC650878 00	V BELT XPZ850
0013	SC650879 11	PULLEY
0014	SC620512 00	GEAR REDUCER
0016	SC784353 08	DRUM ASSY
0017	SC742111 02	FILANGE 8-HOLE REDUCTION DRUM
0018	SC420014 10	SCREW
0019	SC742110 02	FLANGE 8-HOLE COOLANT DRUM
0020	SC650615 00	EVAP. INSULATION
0021	SC420014 09	SCREW
0022	SC741092 04	SPECIAL KEY
0023	SC724254 05	FLANGE
0024	SC640041 19	O RING
0025	SC640107 00	GASKET
0027	SC640041 18	O RING
0028	SC724432 00	WATER PUMP BRACKET
0029	SC724433 00	WATER PUMP BRACKET COVER
0030	SC723168 00	SCRAPING BLADE
0031	SC721341 02	METAL PLATE
0032	SC650865 00	INSULATION
0032	SC651219 00	INSULATION
0032	SC651816 00	GUARNIZIONE PIANA PER MAR
0032	SC743127 01	REFR. MANIFOLD
0033	SC724260 00	KEY
0034	SC651061 00	WASHER
0035	SC724257 00	SPACER
0036	SC460000 02	CLIP RING
0037	SC723133 00	PIN
0038	SC640041 13	O RING
0039	SC724307 00	RING HOUSING
0040	SC460039 03	ROLL PIN
0041	SC640041 80	O RING
0042	SC640101 00	O RING
0043	SC001028 05	KIT SEAL MECH. & GASKET
0043	SC060670 00	GASKET KIT - MAR
0044	SC724308 00	SPACER RING
0045	SC420014 08	SCREW
0046	SC724256 01	WASHER
0047	SC640096 00	RING GASKET W/SPRING
0048	SC640076 09	GASKET

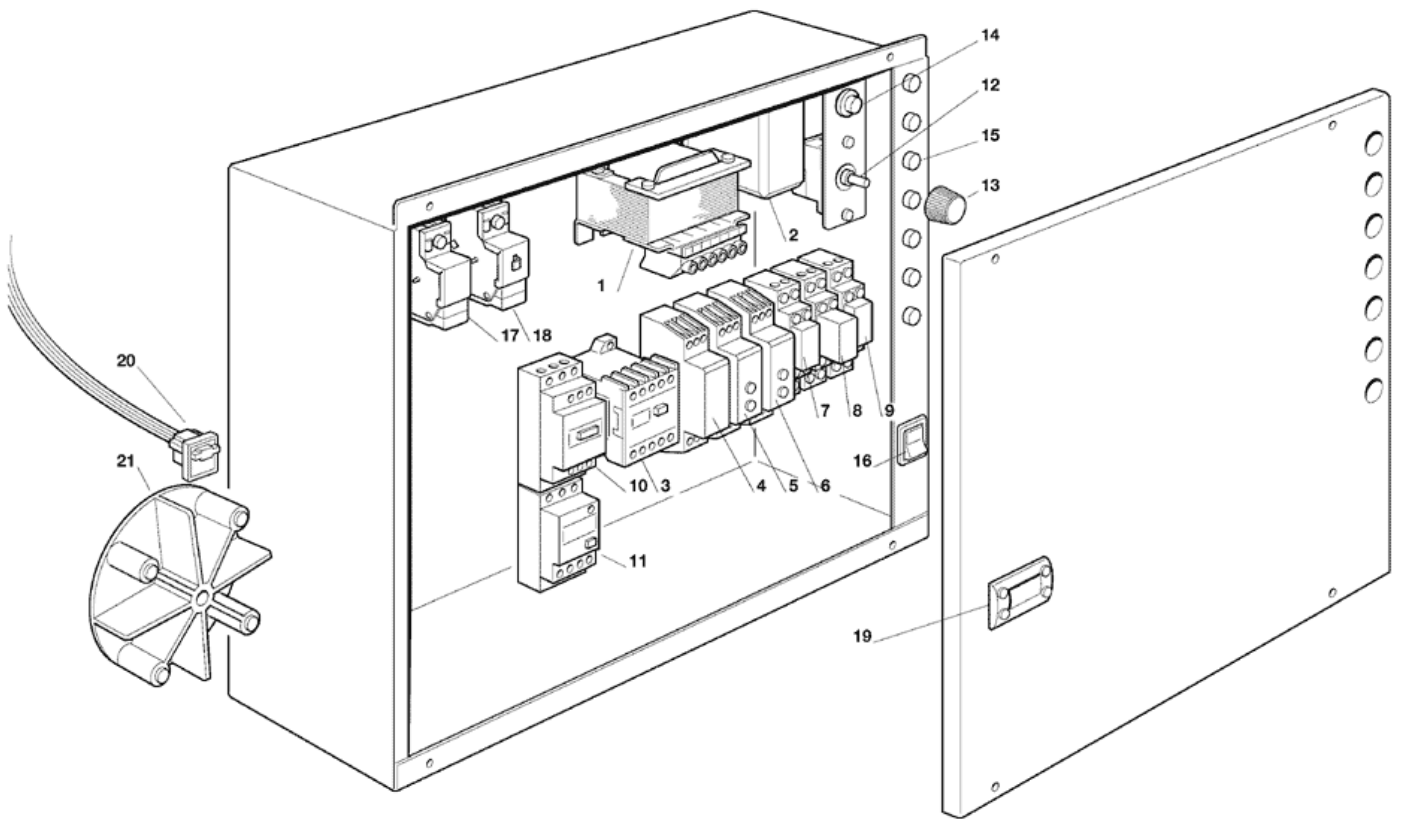


EDEFROM
0802.03

Pos	Code	Description
0001	SC660901 00	WATER SUMP
0002	SC620458 00	SCREW
0002	SC724276 01	PRESSURE PLATE
0003	SC724292 00	SPOUT SWITCH BRKT
0004	SC620366 00	SPOUT SWITCH
0005	SC650161 01	SPRING
0006	SC724278 00	S.S. PLATE
0008	SC400031 00	WASHER
0010	SC620451 00	PRESSOSTAT
0011	SC651206 00	WATER TAP
0012	SC651206 02	1/4 OD NYLON TUBE
0013	SC651206 01	1/4 MALE FITTING
0014	SC060742 00	WATER NOZZLE RETROFIT KIT
0015	SC640100 00	O RING OR 2025 (WRAS-FDA)
0016	SC460038 02	RETAINING CLIP
0017	SC660585 00	FLOAT VALVE
0018	SC620433 07	WATER PUMP
0019	SC610169 05	TUBE - USE SC610169 07
0020	SC650739 00	SPRAY TUBE
0021	SC650521 00	BRASS FLANGE
0022	SC620317 00	HEAT EXCHANGER
0023	SC630117 00	MECH. FILTER
0024	SC620324 06	LIQUID SIGHT GLASS
0025	SC620427 55	AUT. EXP. VALVE
0026	SC660213 01	FITTING
0027	SC640134 00	O RING
0028	SC660211 01	DRAIN FILTER
0029	SC610148 10	TUBE
0030	SC660224 02	WATER DRAIN FITTING - ONE INLET
0031	SC660535 00	PLASTIC NUT



Pos	Code	Description
0002	SC620488 01	ROTATION CONTROL
0003	SC620631 05	CONTACTOR
0004	SC620631 01	PHASE MONITORING RELAY
0005	SC620485 00	DELAY TIMER
0006	SC620485 00	DELAY TIMER
0007	SC060749 00	KIT RELAY & RELAY SOCKET
0008	SC620509 01	USE SC060749 00
0009	SC060749 00	KIT RELAY & RELAY SOCKET
0010	SC620631 04	TRHEE-POLE CONTACTOR 18A LOVATO
0011	SCEQ LRD12	CURRENT RELAY
0012	SC620631 02	BIN THERMOSTAT
0014	SCEQ PULS01	PUSH BUTTON - USE SC620631 08
0015	SCEQ LAMP230RO	WARNING LIGHT - USE SC630091 14
0016	SC630113 00	ON-OFF LIGHTED SWITCH
0016	SC630113 01	SWITCH PROTECTION
0017	SC620508 00	USE 620075 02
0018	SC620498 00	HI PRESSURE CTRL SAFETY
0019	SCEQ LEGR604774	TIMER
0020	SC620404 03	HALL SENSOR
0021	SC784476 02	BRACKET ROTOR ASSY



Pos	Code	Description
0002	SC620488 01	ROTATION CONTROL
0003	SC620631 05	CONTACTOR
0004	SC620631 01	PHASE MONITORING RELAY
0005	SC620485 00	DELAY TIMER
0006	SC620485 00	DELAY TIMER
0007	SC060749 00	KIT RELAY & RELAY SOCKET
0008	SC620509 01	USE SC060749 00
0009	SC060749 00	KIT RELAY & RELAY SOCKET
0010	SC620631 04	TRHEE-POLE CONTACTOR 18A LOVATO
0011	SCEQ LRD12	CURRENT RELAY
0012	SC620631 02	BIN THERMOSTAT
0014	SCEQ PULS01	PUSH BUTTON - USE SC620631 08
0015	SCEQ LAMP230RO	WARNING LIGHT - USE SC630091 14
0016	SC630113 00	ON-OFF LIGHTED SWITCH
0016	SC630113 01	SWITCH PROTECTION
0017	SC620508 00	USE 620075 02
0018	SC620498 00	HI PRESSURE CTRL SAFETY
0019	SC620501 00	DIGITAL TIMER
0020	SC620404 03	HALL SENSOR
0021	SC784476 02	BRACKET ROTOR ASSY