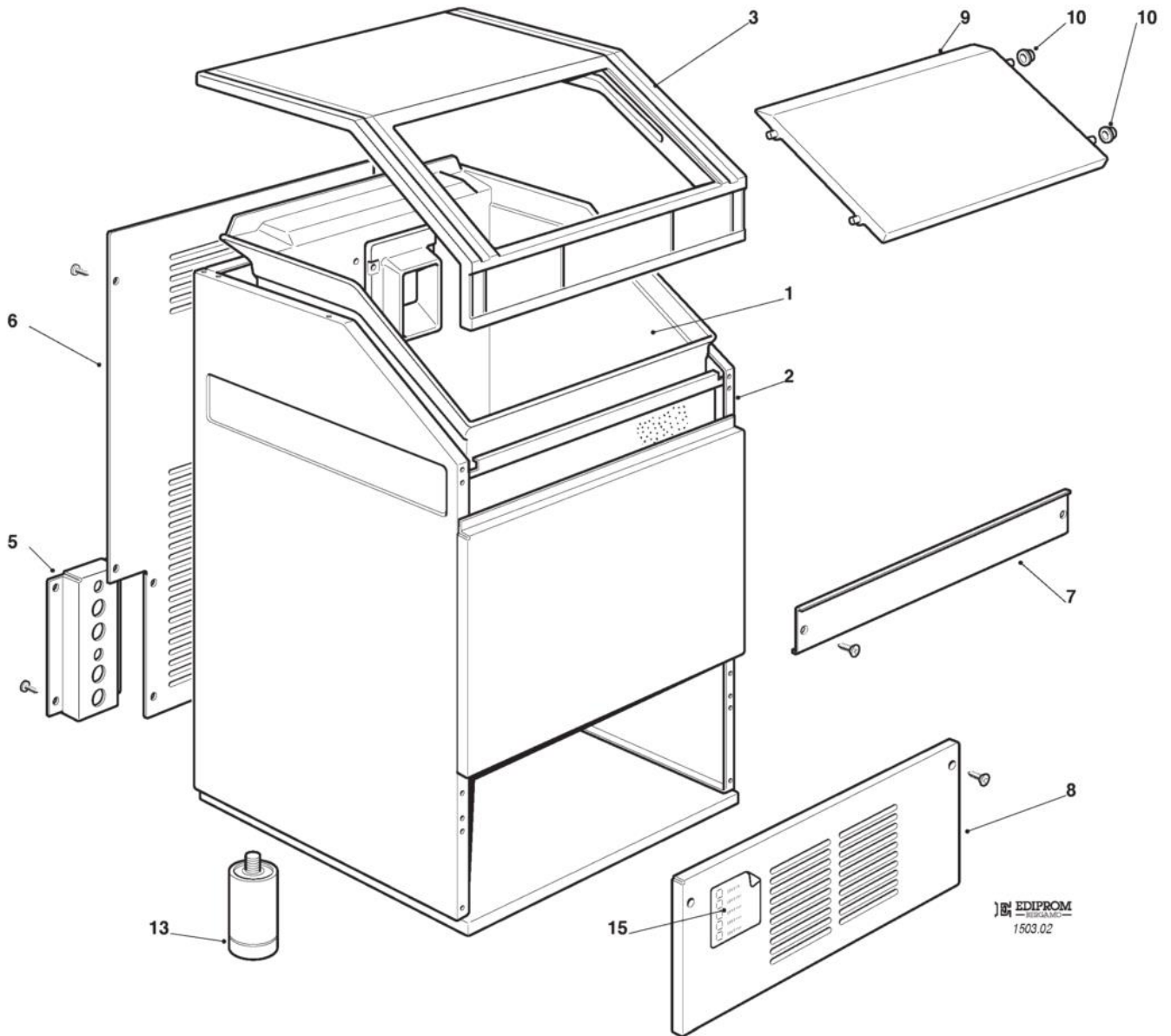


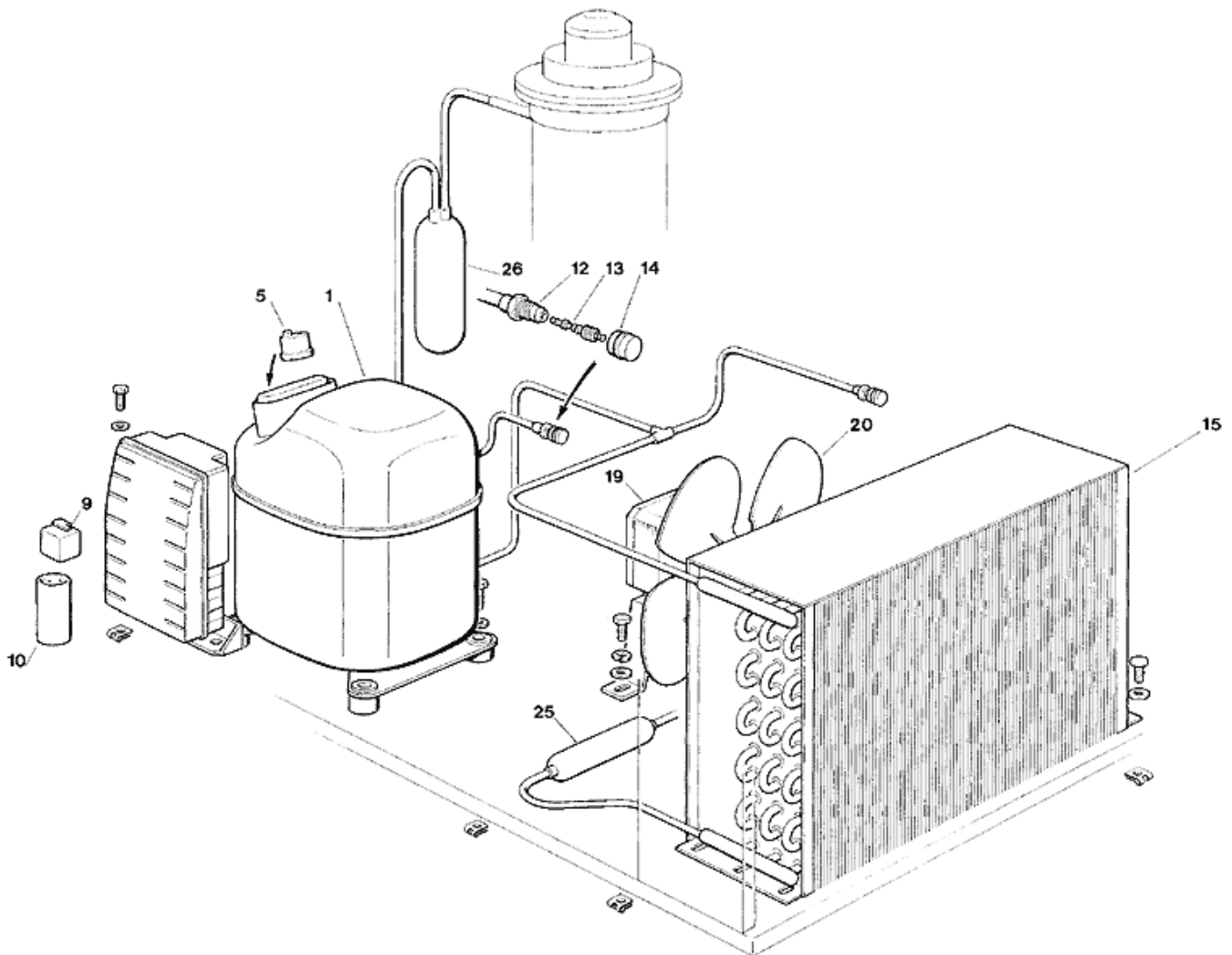
181 EDIPROM
E 1002 7

Pos	Code	Description
0001	SC660681 00	STORAGE BIN
0002	SC785087 02	FRAME ASSY
0003	SC660490 06	TOP PANEL - GREY
0005	SC702635 00	SUPPORTO ATTACCHI
0006	SC702280 00	REAR PANEL
0007	SC721670 05	FRONT STRIP
0008	SC721854 00	FRONT PANEL
0009	SC781503 00R	BIN DOOR ASSY
0010	SC660286 00	BUSHING
0013	SC650670 00	USE SC650670 05
0014	SC650670 00	USE SC650670 05
0015	SC650624 13	LABEL

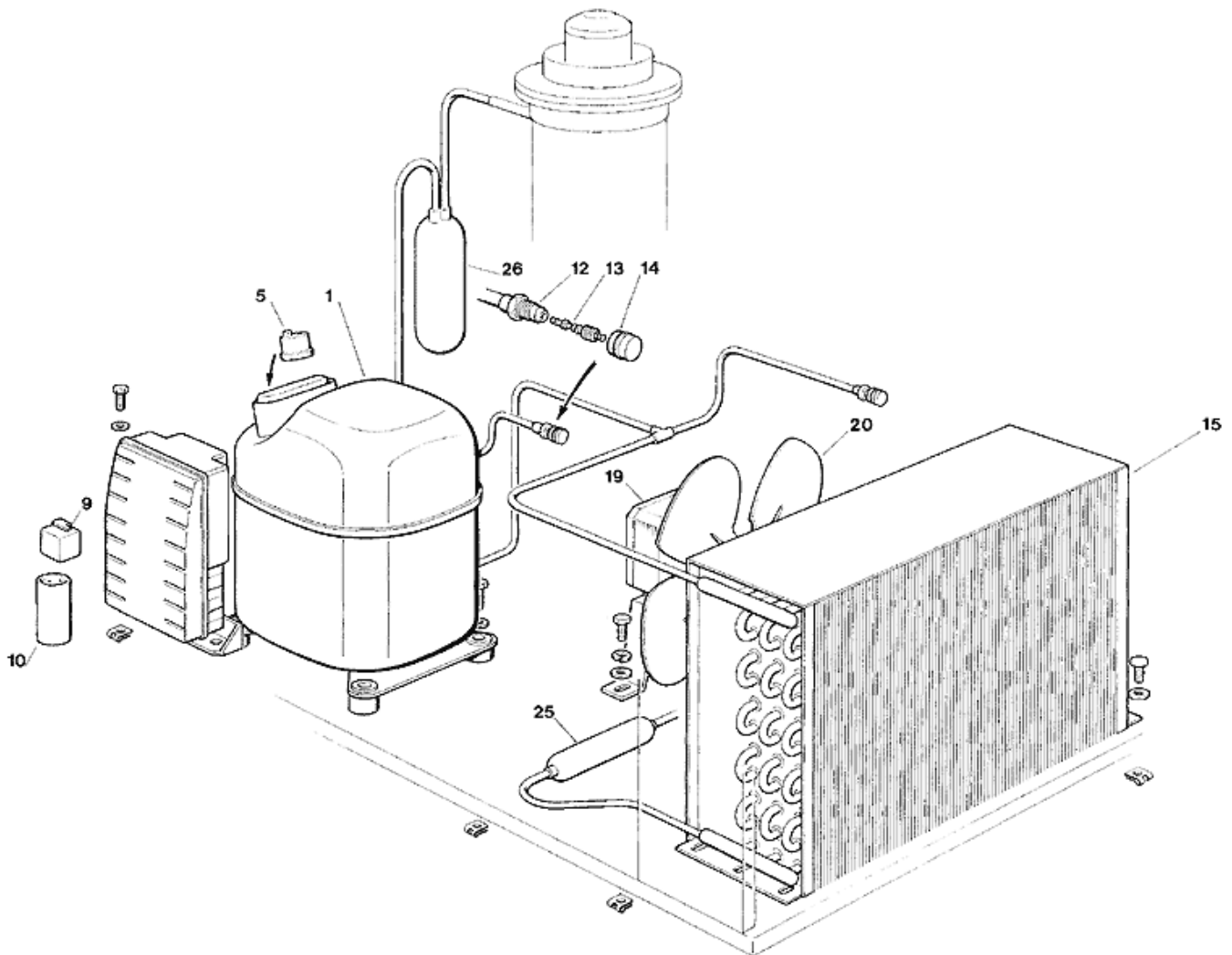


Pos	Code	Description
0001	SC660681 00	STORAGE BIN
0002	SC785087 02	FRAME ASSY
0003	SC660490 06	TOP PANEL - GREY
0005	SC702635 00	SUPPORTO ATTACCHI
0006	SC702280 00	REAR PANEL
0007	SC721670 05	FRONT STRIP
0008	SC721854 00	FRONT PANEL
0009	SC781503 00R	BIN DOOR ASSY
0010	SC660286 00	BUSHING
0013	SC651469 00	LEG
0015	SC650624 13	LABEL

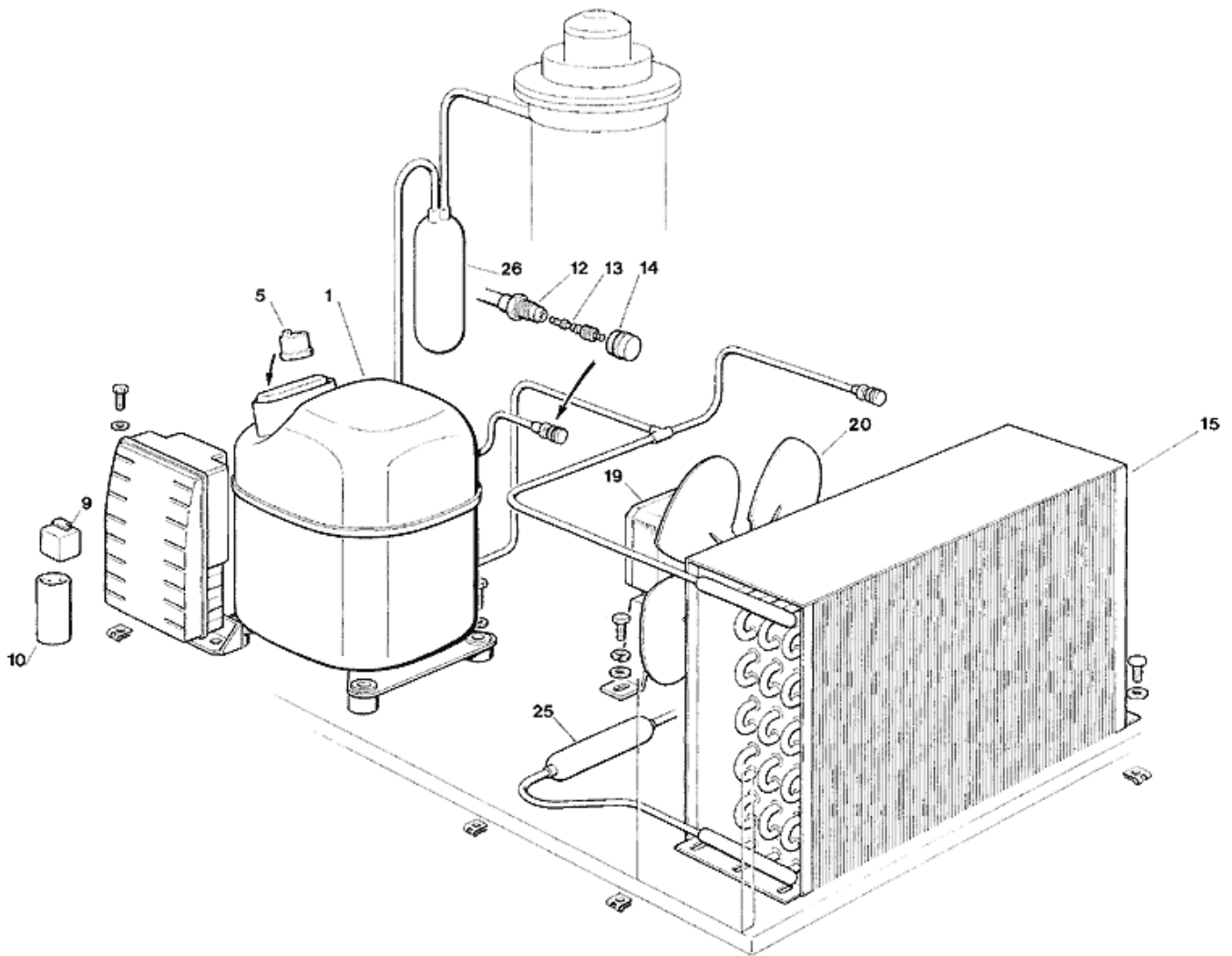
Pos	Code	Description
0001	SC670105 10	COMPRESSOR - 220-240/50/1
0009	SCCUB 405174	RELAY
0010	SCCUB 102661	START CAPACITOR
0012	SC650109 00	VALVE BODY
0013	SC670012 00	VALVE CORE
0014	SC650106 00	CAP
0015	SC620455 00	AIR COOLED CONDENSER
0019	SC620419 02	FAN MOTOR ATEX
0019	SC620419 03	FAN MOTOR ATEX
0019	SC620419 63	BRACKET
0020	SC620419 33	BLADE
0025	SC630003 05	DRIER
0026	SC784878 03R	SUCTION LINE ASSY



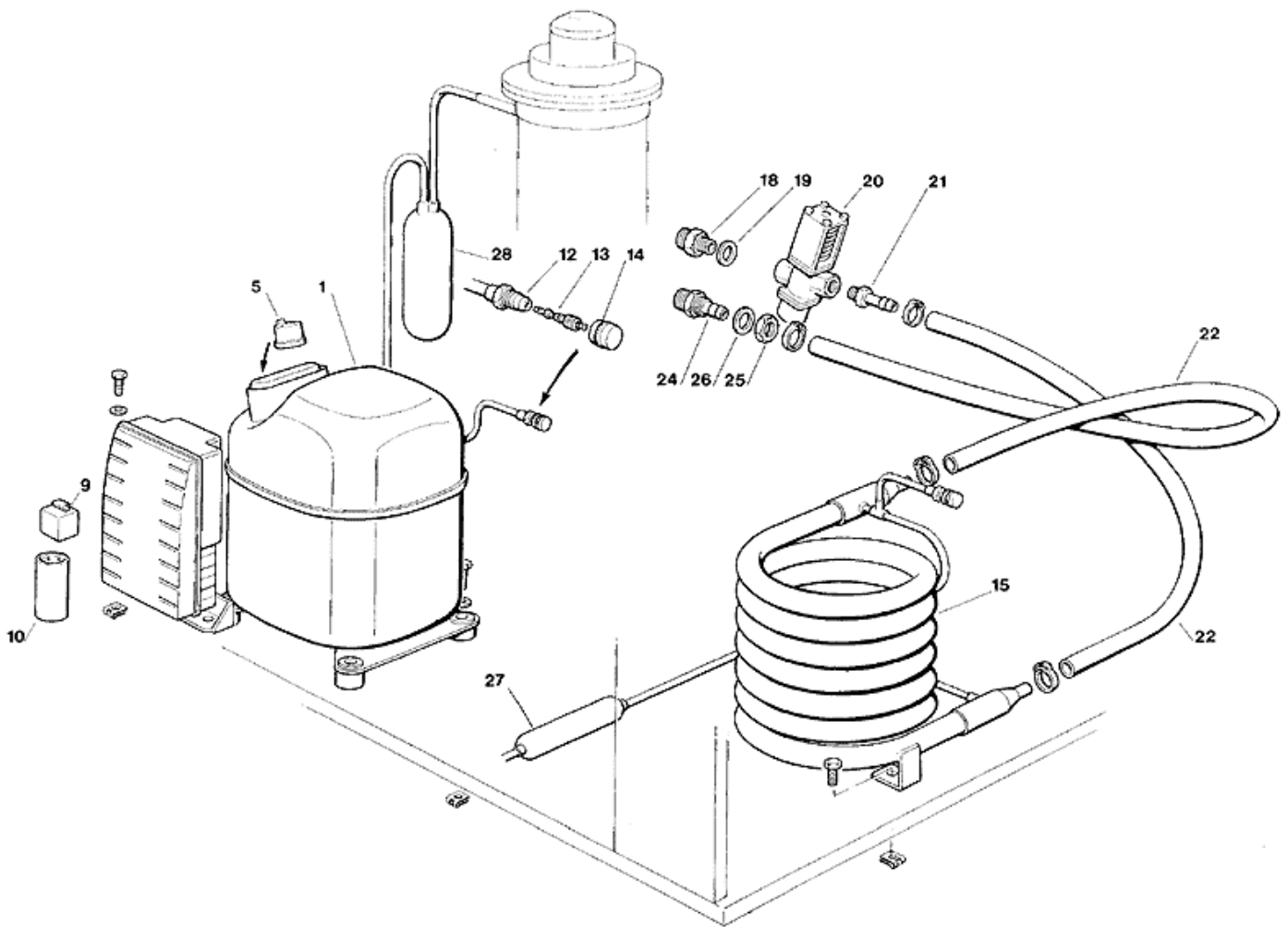
Pos	Code	Description
0001	SC670105 10	COMPRESSOR - 220-240/50/1
0001	SC670105 12	COMPRESSOR
0005	SCEMB 2319095	PROTECTOR 230/50
0009	SCEMB 2334122	RELAY
0010	SCCUB 102661	START CAPACITOR
0012	SC650109 00	VALVE BODY
0013	SC670012 00	VALVE CORE
0014	SC650106 00	CAP
0015	SC620455 00	AIR COOLED CONDENSER
0019	SC620419 02	FAN MOTOR ATEX
0019	SC620419 03	FAN MOTOR ATEX
0019	SC620419 63	BRACKET
0020	SC620419 33	BLADE
0025	SC630003 05	DRIER
0026	SC784878 03R	SUCTION LINE ASSY



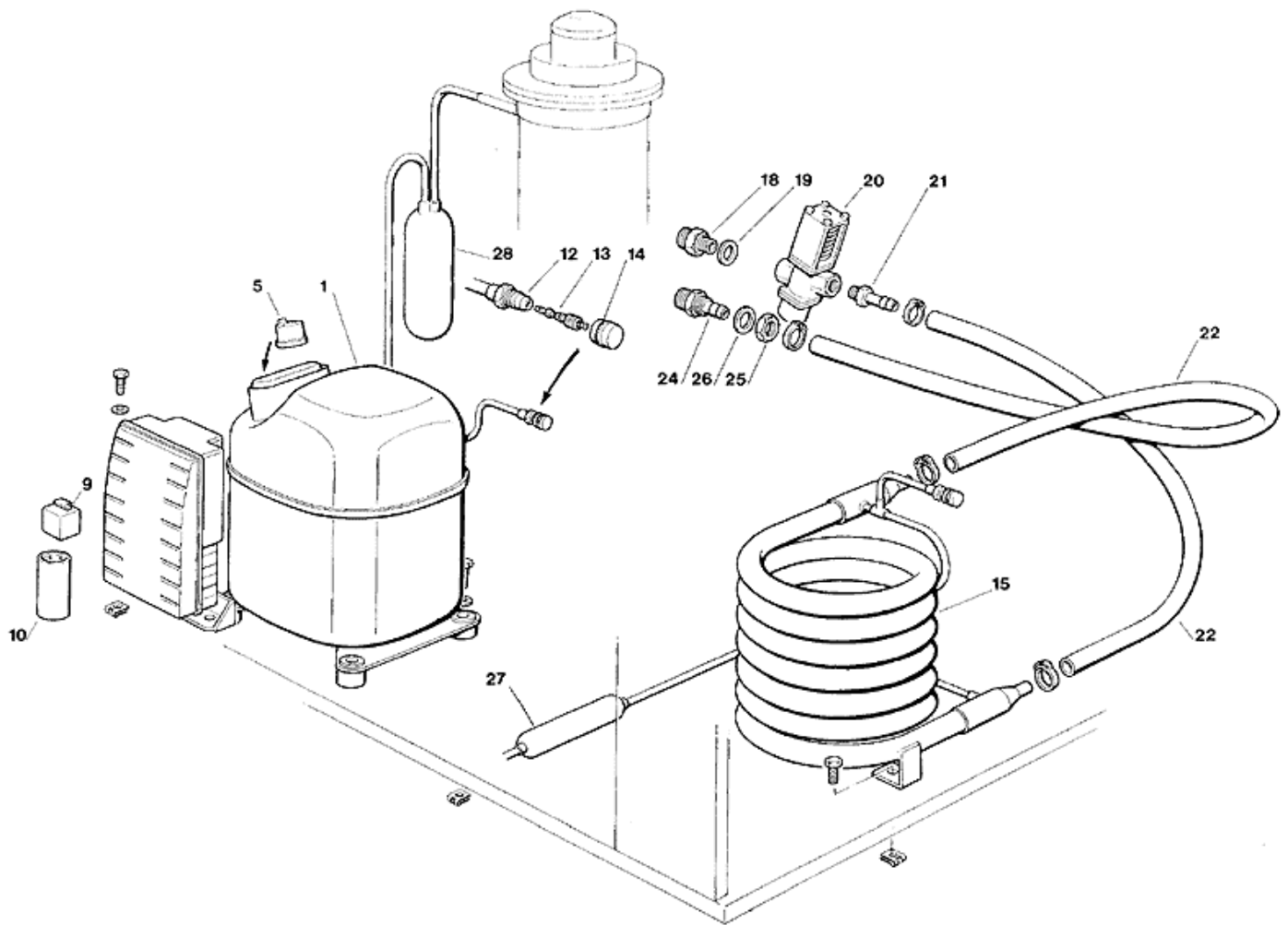
Pos	Code	Description
0001	SC670105 10	COMPRESSOR - 220-240/50/1
0001	SC670105 12	COMPRESSOR
0005	SCEMB 2319095	PROTECTOR 230/50
0009	SCEMB 2334122	RELAY
0010	SCCUB 102661	START CAPACITOR
0012	SC650109 00	VALVE BODY
0013	SC670012 00	VALVE CORE
0014	SC650106 00	CAP
0015	SC620455 00	AIR COOLED CONDENSER
0019	SC620419 02	FAN MOTOR ATEX
0019	SC620419 03	FAN MOTOR ATEX
0019	SC620419 63	BRACKET
0020	SC620419 33	BLADE
0025	SC630003 05	DRIER
0026	SC784878 03R	SUCTION LINE ASSY



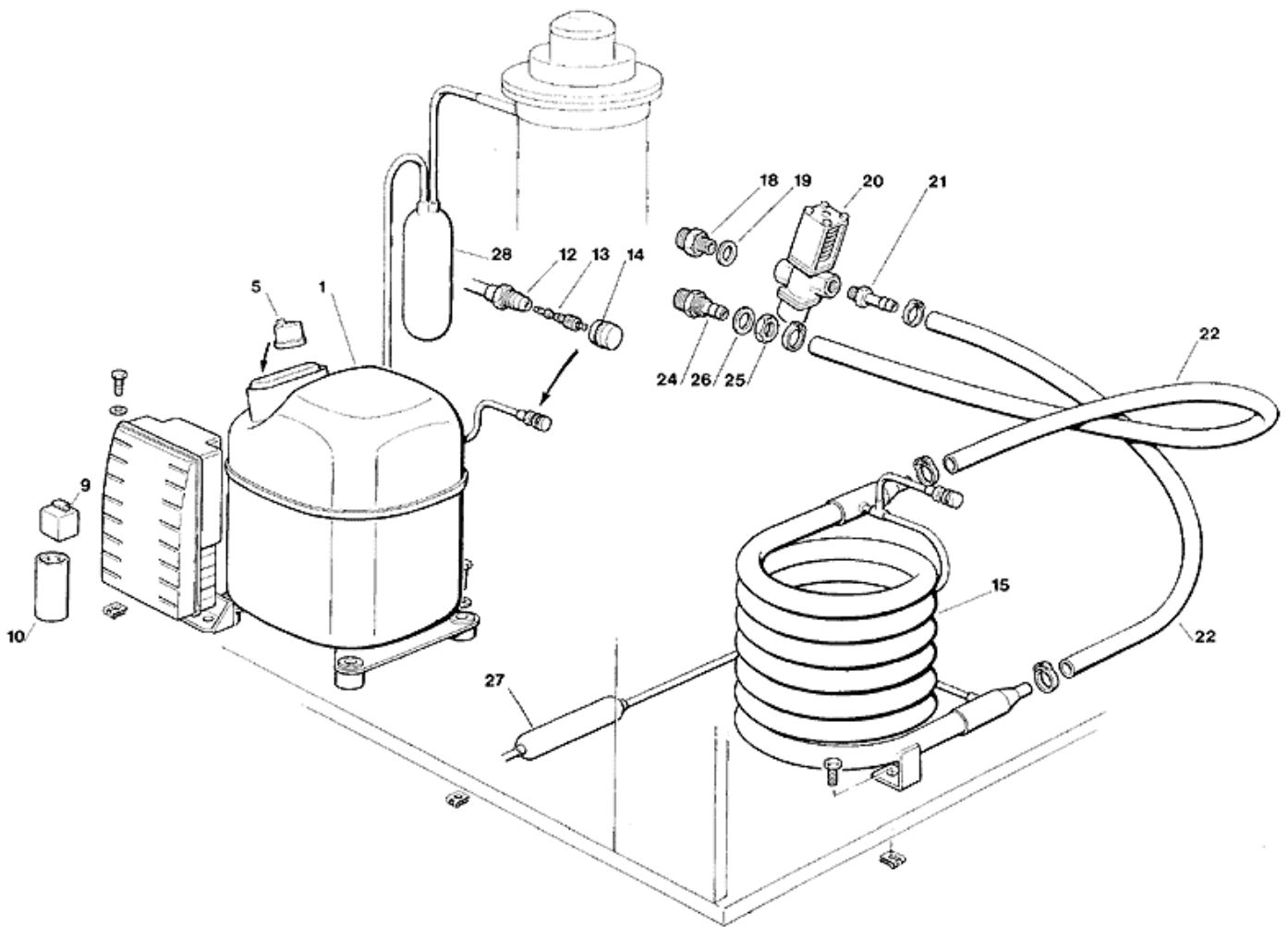
Pos	Code	Description
0001	SC670100 01	COMPRESSOR 230/50/1
0001	SC670105 12	COMPRESSOR
0005	SCCUB 102190	PROTECTOR
0009	SCCUB 405177	RELAY
0010	SCCUB 102661	START CAPACITOR
0012	SC650109 00	VALVE BODY
0013	SC670012 00	VALVE CORE
0014	SC650106 00	CAP
0015	SC620455 00	AIR COOLED CONDENSER
0019	SC620419 02	FAN MOTOR ATEX
0019	SC620419 03	FAN MOTOR ATEX
0019	SC620419 63	BRACKET
0020	SC620419 33	BLADE
0025	SC630003 05	DRIER
0026	SC784878 09R	SUCTION LINE ASSY AF-103L



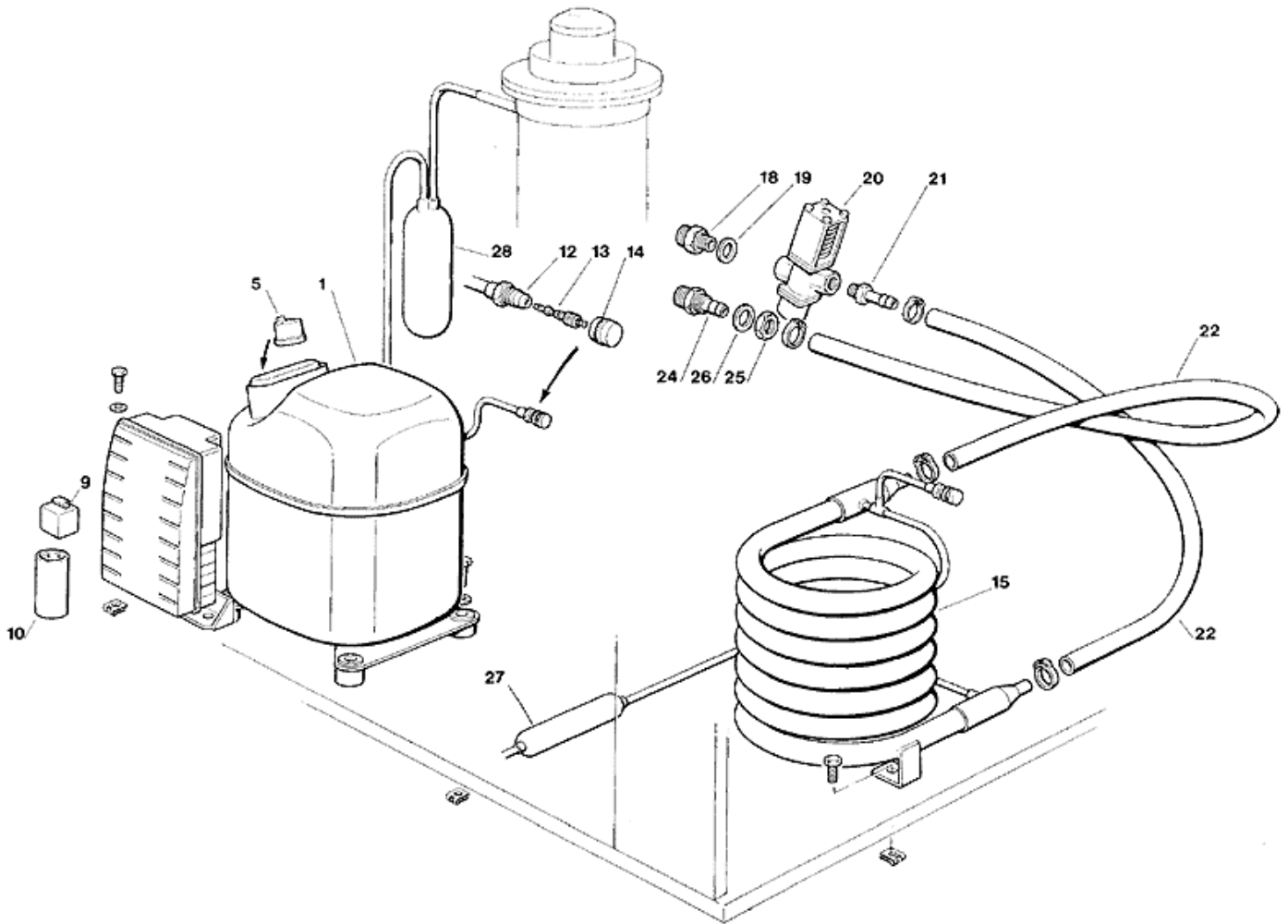
Pos	Code	Description
0001	SC670105 10	COMPRESSOR - 220-240/50/1
0009	SCCUB 405174	RELAY
0010	SCCUB 102661	START CAPACITOR
0012	SC650109 00	VALVE BODY
0013	SC670012 00	VALVE CORE
0014	SC650106 00	CAP
0015	SC620389 00	WATER COOLED CONDENSER
0018	SC733204 00	WATER INLET FITTING
0019	SC400031 01	WASHER
0020	SC620111 00	WATER REGUL. VALVE
0021	SC650754 00	WATER FITTING
0024	SC660291 00	TEE TUBE (D13)
0025	SC400053 00	NUT
0026	SC400052 00	WASHER
0027	SC630003 05	DRIER
0028	SC784878 03R	SUCTION LINE ASSY



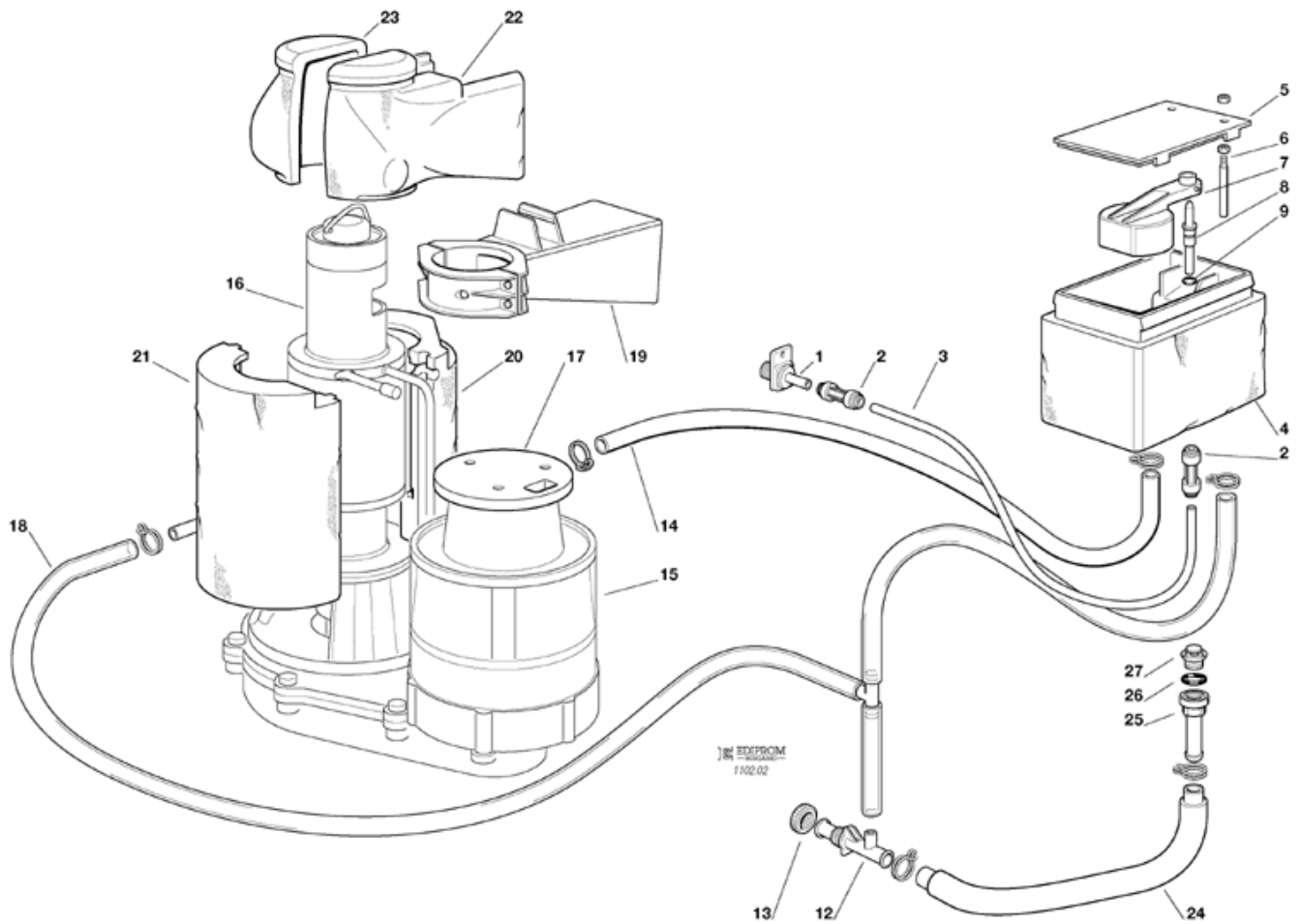
Pos	Code	Description
0001	SC670105 10	COMPRESSOR - 220-240/50/1
0001	SC670105 12	COMPRESSOR
0005	SCEMB 2319095	PROTECTOR 230/50
0009	SCEMB 2334122	RELAY
0010	SCCUB 102661	START CAPACITOR
0012	SC650109 00	VALVE BODY
0013	SC670012 00	VALVE CORE
0014	SC650106 00	CAP
0015	SC620389 00	WATER COOLED CONDENSER
0018	SC733204 00	WATER INLET FITTING
0019	SC400031 01	WASHER
0020	SC620111 00	WATER REGUL. VALVE
0021	SC650754 00	WATER FITTING
0024	SC660291 00	TEE TUBE (D13)
0025	SC400053 00	NUT
0026	SC400052 00	WASHER
0027	SC630003 05	DRIER
0028	SC784878 03R	SUCTION LINE ASSY



Pos	Code	Description
0001	SC670105 10	COMPRESSOR - 220-240/50/1
0001	SC670105 12	COMPRESSOR
0005	SCEMB 2319095	PROTECTOR 230/50
0009	SCEMB 2334122	RELAY
0010	SCCUB 102661	START CAPACITOR
0012	SC650109 00	VALVE BODY
0013	SC670012 00	VALVE CORE
0014	SC650106 00	CAP
0015	SC620389 00	WATER COOLED CONDENSER
0018	SC733204 00	WATER INLET FITTING
0019	SC400031 01	WASHER
0020	SC620111 00	WATER REGUL. VALVE
0021	SC650754 00	WATER FITTING
0024	SC660291 00	TEE TUBE (D13)
0025	SC400053 00	NUT
0026	SC400052 00	WASHER
0027	SC630003 05	DRIER
0028	SC784878 03R	SUCTION LINE ASSY

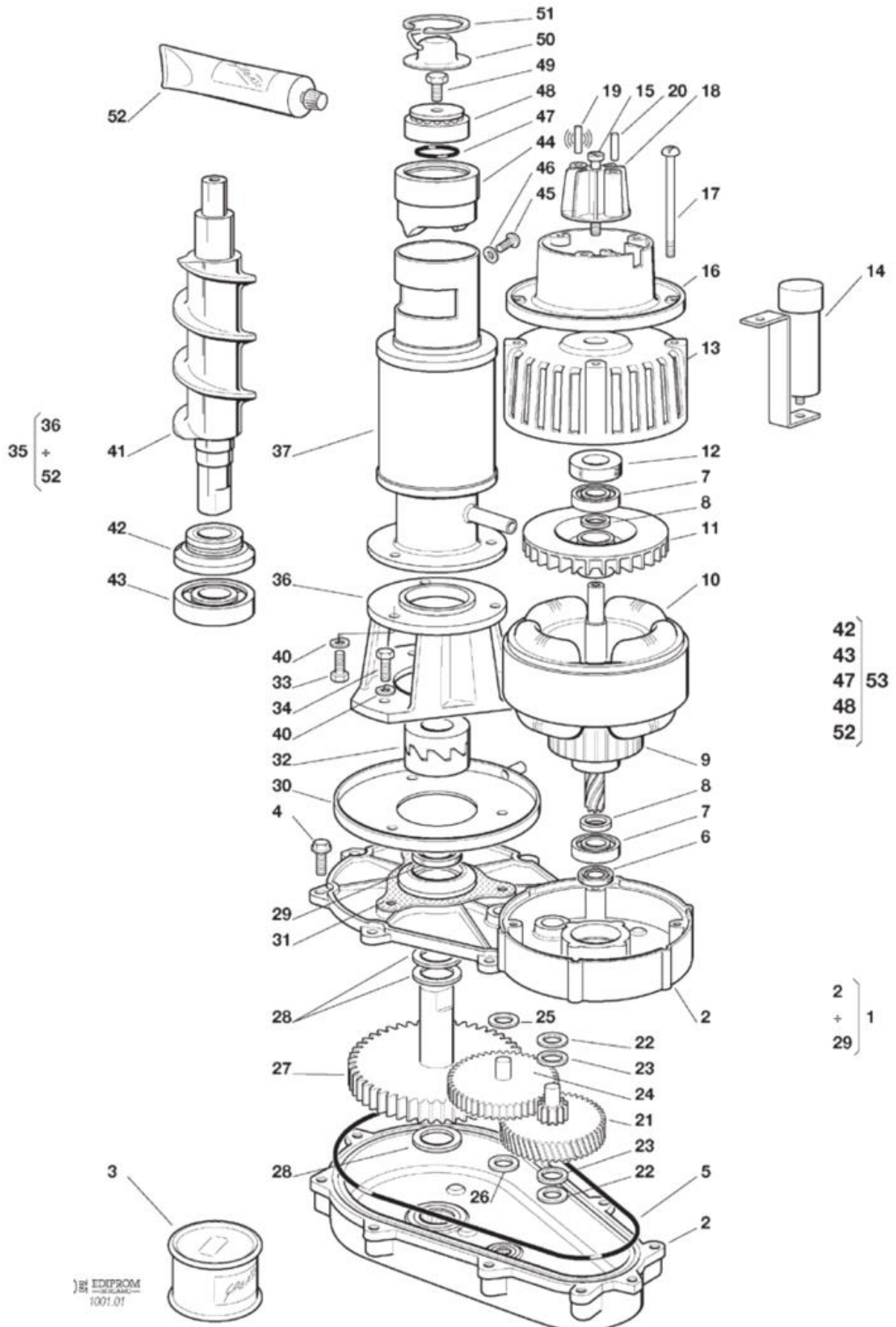


Pos	Code	Description
0001	SC670100 01	COMPRESSOR 230/50/1
0001	SC670105 12	COMPRESSOR
0005	SCCUB 102190	PROTECTOR
0009	SCCUB 405177	RELAY
0010	SCCUB 102661	START CAPACITOR
0012	SC650109 00	VALVE BODY
0013	SC670012 00	VALVE CORE
0014	SC650106 00	CAP
0015	SC620389 00	WATER COOLED CONDENSER
0018	SC733204 00	WATER INLET FITTING
0019	SC400031 01	WASHER
0020	SC620111 00	WATER REGUL. VALVE
0021	SC650754 00	WATER FITTING
0024	SC660291 00	TEE TUBE (D13)
0025	SC400053 00	NUT
0026	SC400052 00	WASHER
0027	SC630003 05	DRIER
0028	SC784878 09R	SUCTION LINE ASSY AF-103L



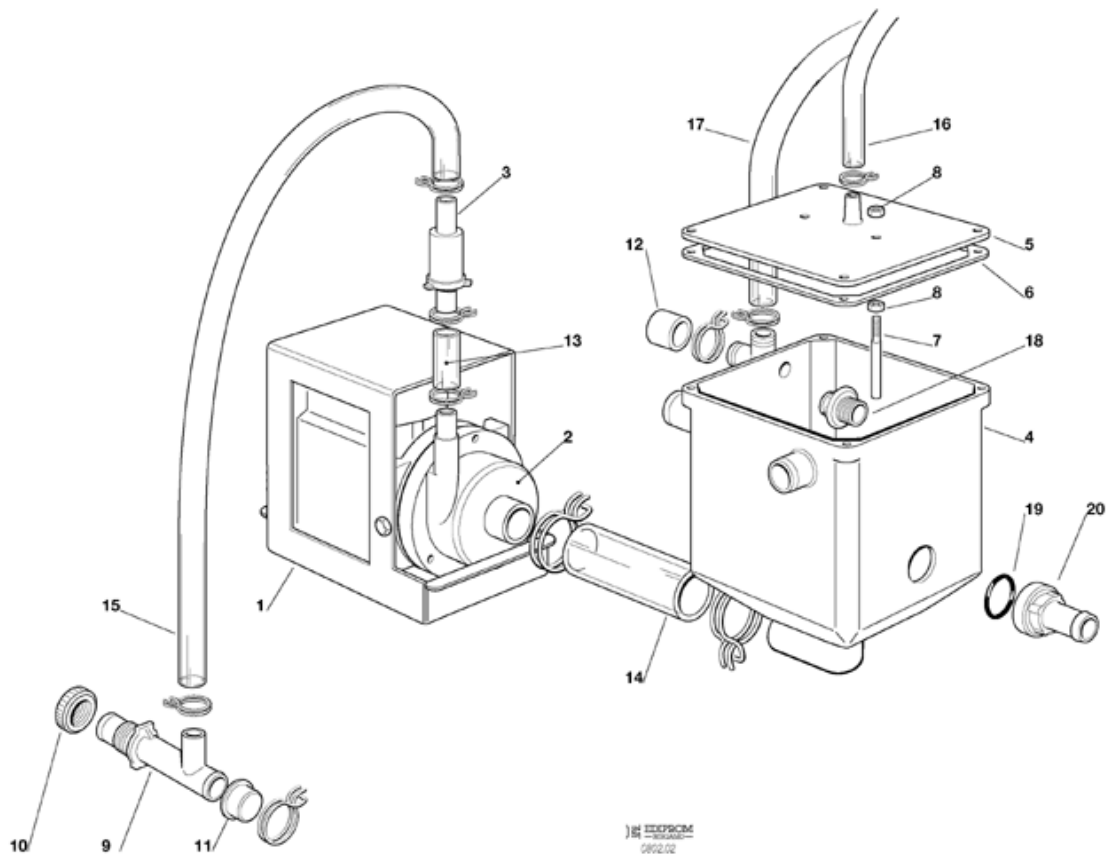
10/25/2021 7:10:50 PM

Pos	Code	Description
0001	SC650104 00	FILTER
0001	SC660956 00	WATER IN PLASTIC FITTING
0002	SC651224 04	1/4 F-5/16F CONNECTOR
0003	SC651206 02	1/4 OD NYLON TUBE
0004	SC660352 00	INSULATION
0004	SC660459 00	WATER RESERVOIR
0005	SC660363 00	COVER
0006	SC724215 06	WATER LEVEL METAL PIN
0007	SC660585 00	FLOAT VALVE
0008	SC660957 00	PLASTIC NOZZLE
0009	SC640100 00	O RING OR 2025 (WRAS-FDA)
0012	SC660224 00	TEE TUBE
0013	SC660535 00	PLASTIC NUT
0014	SC610171 03	PLASTIC HOSE (#)
0015	SC794225 13R	GEAR REDUCER ASSY - 230/50-60
0015	SC794225 14R	GEAR REDUCER ASSY - 115/60
0016	SC794236 08RR	FREEZER ASSY N SPOUT
0017	SC650515 02	PLASTIC COVER
0018	SC610182 08	TUBO SCARICO ASSIEMATO
0019	SC660676 00	ICE SPOUT
0020	SC060551 03	KIT INSULATION, FREEZER
0021	SC060551 03	KIT INSULATION, FREEZER
0022	SC650887 00	SPOUT INSULATION
0023	SC650887 00	SPOUT INSULATION
0024	SC610148 10	TUBE
0025	SC660219 01	BIN DRAIN
0026	SC640134 00	O RING
0027	SC660211 01	DRAIN FILTER



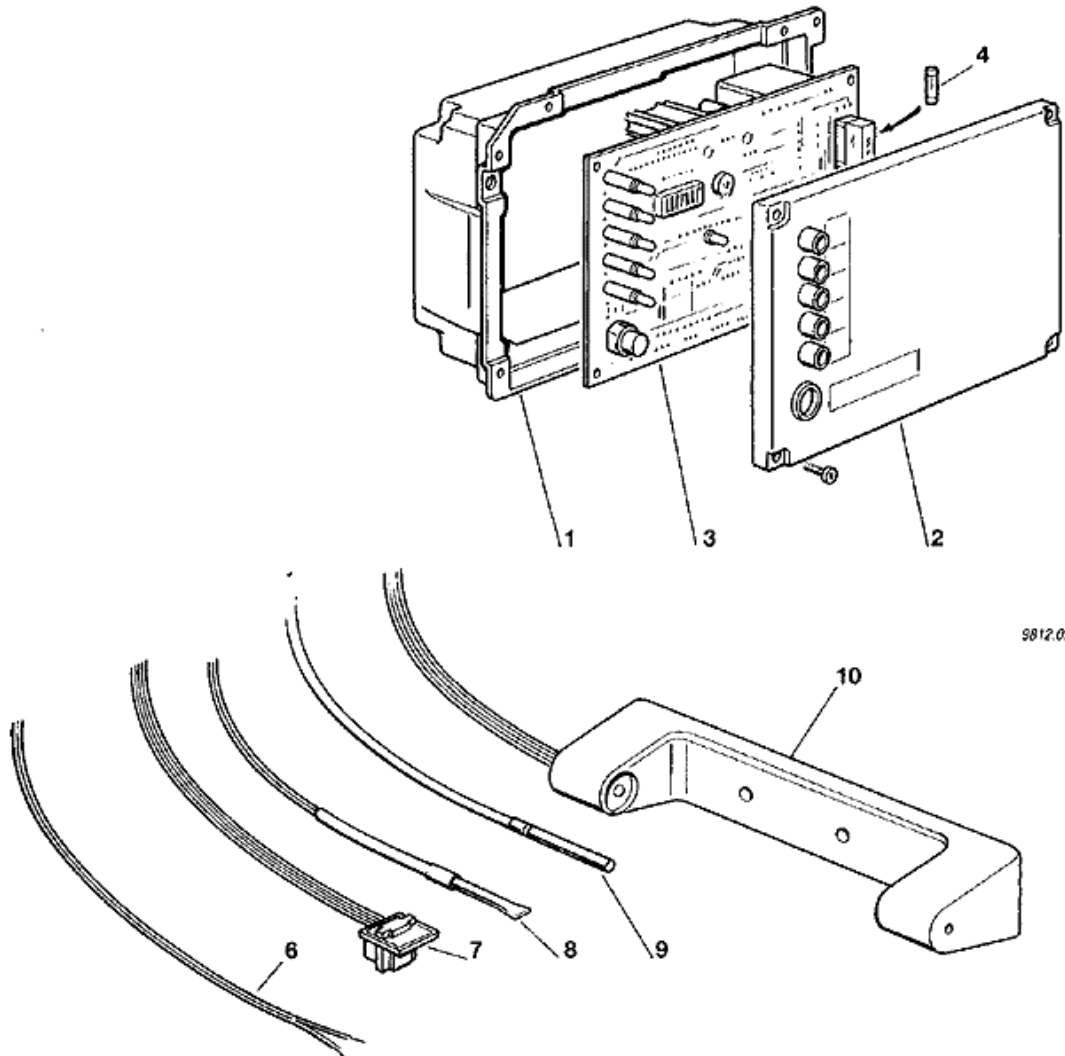
Pos	Code	Description
0001	SC794225 13R	GEAR REDUCER ASSY - 230/50-60
0001	SC794225 14R	GEAR REDUCER ASSY - 115/60
0002	SC001015 01	GEAR CASE KIT
0003	SC060294 04	GEAR REDUCER GREASE 0,5KG
0004	SC03001251 00	OBSOLETE
0004	SC429852 00	SCREW
0005	SC640084 00	O RING
0006	SC640083 00	GREASE SEAL
0007	SC651056 00	BEARING
0008	SC441800 09	SPECIAL WASHER
0009	SC794123 03R	ROTOR ASSY
0010	SC620521 00	STATOR 230V
0010	SC620521 01	STATOR 115V
0011	SC764001 01	BLADE
0012	SC640095 00	RUBBER INSERT
0013	SC794226 01R	MOTOR HOUSING
0014	SC620520 00	CAPACITOR 12,5 MFD
0014	SC620520 03	CAPACITOR 4 MFD
0015	SC03001403 77	PANHEAD MACHINE SCREW
0016	SC650515 01	MOTOR COVER
0017	SC423872 02	SCREW
0018	SC784476 01	MGT BRACKET ASSY
0019	SC784476 01	MGT BRACKET ASSY
0020	SC784476 01	MGT BRACKET ASSY
0021	SC651160 00	GEAR
0022	SC441800 05	WASHER
0023	SC441800 06	WASHER
0024	SC651161 00	GEAR AND PINION
0025	SC441800 08	WASHER
0026	SC441800 07	WASHER
0027	SC651162 01	3RD GEAR & PINION
0028	SC03001408 04	SPECIAL WASHER
0028	SC441808 00	WASHER
0029	SC640019 01	GASKET SMIM 2232/5.5
0030	SC660756 00	WATER DRIP TRAY
0031	SC640041 36	O RING OR 6200 (WRAS-FDA)
0032	SC060359 00	KIT COUPLING AF
0033	SC420019 00	SCREW
0034	SC420019 00	SCREW
0035	SC794236 08RR	FREEZER ASSY N SPOUT
0036	SC764010 00	FREEZER BRACKET
0037	SC060705 01R	KIT WORM TUBE N SPOUT
0041	SC640041 40	O RING OR 3068 (WRAS-FDA)
0041	SC724052 07	AUGER AF 20
0042	SC640040 00	WATER SEAL
0043	SC670011 01	BEARING
0044	SC060720 00	ICE BREAKER ASSY
0045	SC420285 05	SCREW
0047	SC640041 01	O RING
0048	SC060720 00	ICE BREAKER ASSY

Pos	Code	Description
0049	SC420030 00	SCREW
0050	SC734105 00	CAP WORM
0051	SC650297 00	SNAP RING
0052	SC263612 00	GREASE FOODLUBE UNIVERSAL 2,0 & 000
0053	SC001028 07	KIT BEARING N SEAL-AF



Pos	Code	Description
0001	SC620471 01	WATER PUMP
0001	SC702445 00	PUMP BRACKET
0002	SC620471 00	PUMP
0003	SC793230 00R	WATER DRAIN N CHECK VALVE
0004	SC660710 01R	USE SC060831 00
0005	SC060602 00	COVER ASSY, PWD
0006	SC640140 00	GASKET - NLA
0007	SC724215 06	WATER LEVEL METAL PIN
0008	SC430031 00	NUT
0009	SC660224 00	TEE TUBE
0010	SC660535 00	PLASTIC NUT
0011	SC650173 01	PLASTIC CAP
0012	SC660570 00	CAP
0013	SC281900 01	TUBE 16X10
0014	SC610148 10	TUBE
0015	SC610171 02	PLASTIC HOSE
0016	SC281830 06	TUBE PVC
0017	SC610213 00	HOSE
0018	SC660211 01	DRAIN FILTER
0019	SC640134 00	O RING
0020	SC660219 02	DRAIN FITTING

Pos	Code	Description
0001	SC702342 00	BRACKET PUMP
0002	SC620471 04R	PUMP 230/50/1 ATEX
0002	SC651682 00	PWD PUMP CONNECTION ISOLATION
0003	SC640041 44	O RING OR 3081
0004	SC661104 02	BUSHING
0005	SC651681 00	PWD TANK INSULATION RIGHT
0005	SC651681 01	PWD TANK INSULATION LEFT
0005	SC661103 00	TANK
0006	SC661102 05	SUMP COVER ASSY
0007	SC661102 05	SUMP COVER ASSY
0012	SC610148 10	TUBE
0013	SC610182 08	TUBO SCARICO ASSIEMATO
0014	SC281830 06	TUBE PVC
0015	SC281900 04	TUBE
0016	SC661104 00	WATER DRAIN FITTING-ELBOW
0017	SC661104 01	WATER INLET FITTING
0018	SC640041 43	O RING OR 2087 (WRAS-FDA)
0019	SC651444 00	NON RETURN VALVE
0020	SC660535 00	PLASTIC NUT
0021	SC620519 05	WATER LEVEL HARNESS



Pos	Code	Description
0003	SC620462 23	PC BOARD 230V
0003	SC630015 15	FUSE T6,3A - 250V
0006	SC620519 02	WATER SENSOR HARNESS-NTC
0007	SC620404 03	HALL SENSOR
0008	SC620519 04	CONDENSER SENSOR NTC
0009	SC620519 01	EVAPORATOR SENSOR NTC
0010	SC650674 02	ICE LEVEL CTRL-3 MTRS