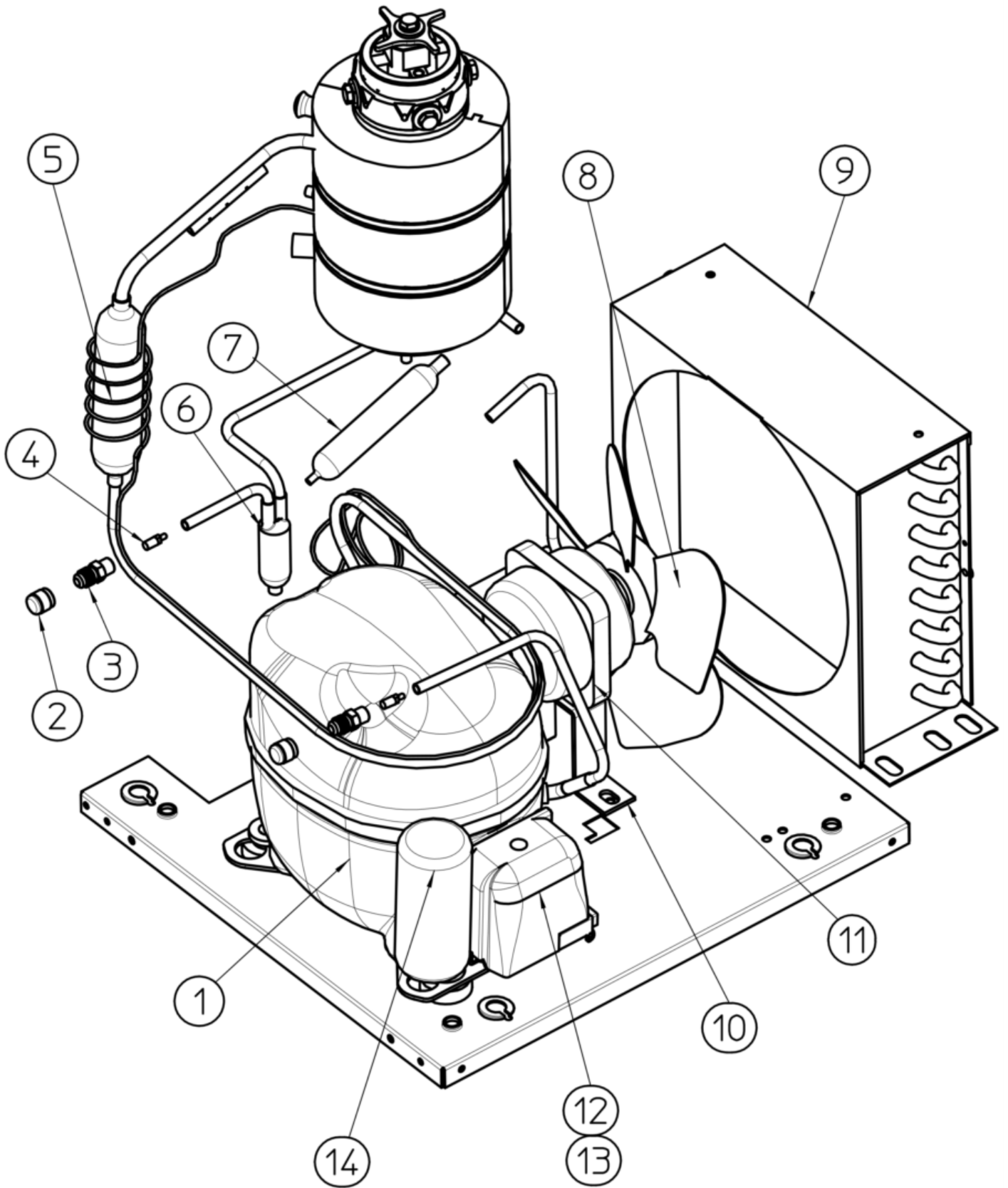
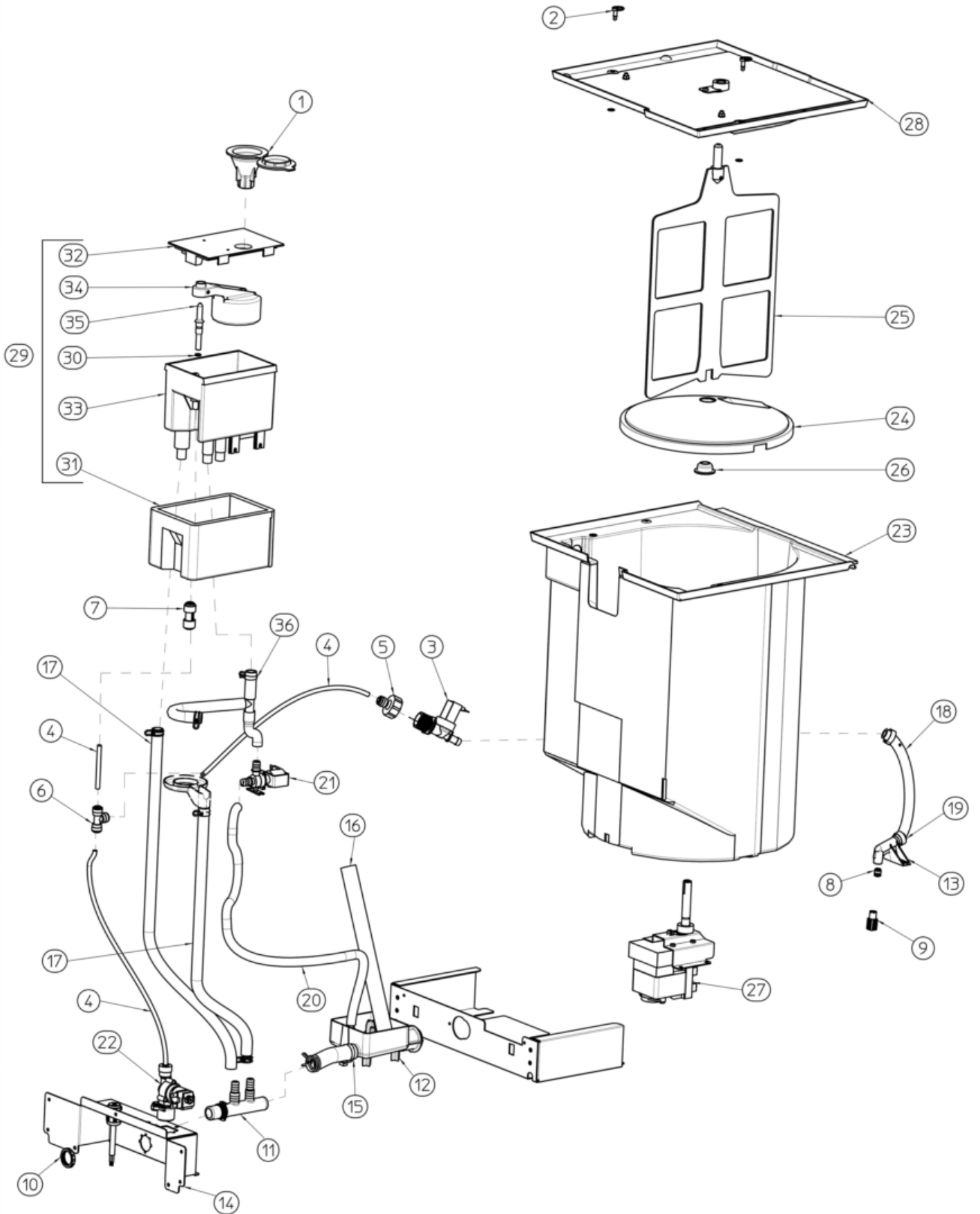


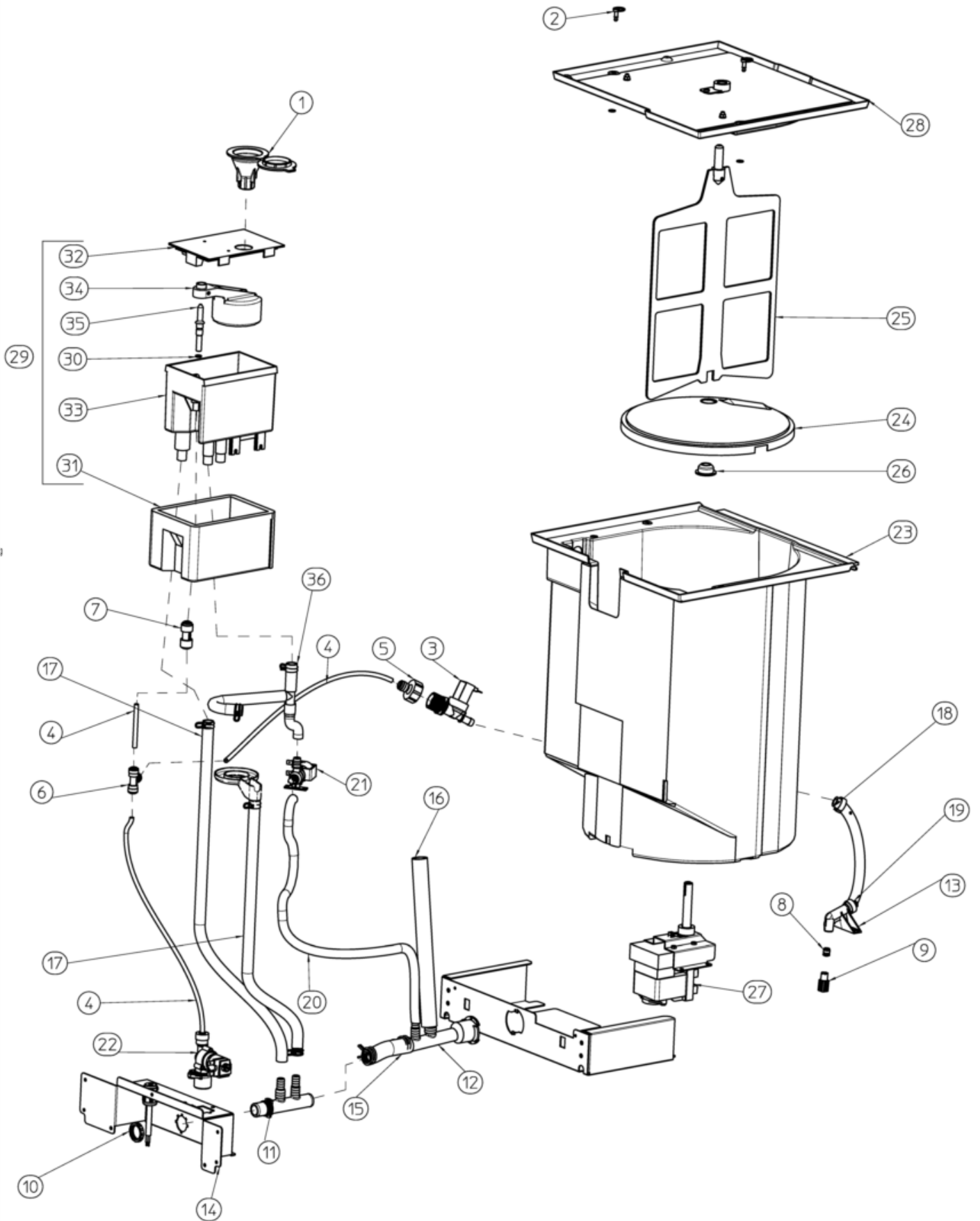
Pos	Code	Description
0001	SC651668 00	RECEPTACLE
0002	SC661168 00	LOWER TRIM STRIP
0003	SC661169 00	TOP TRIM STRIP
0004	SC661170 00	ICE CHUTE
0005	SC661180 00	RIGHT TRIM STRIP
0006	SC661181 00	USE SC661180 01
0007	SC661187 00	WATER CHUTE
0009	SC793251 00R	DRIP TRAY ASSY
0010	SC640041 88	O-RING
0011	SC661182 00	GRID ICE/WATER
0012	SC661182 01	GRID ICE ONLY
0013	SC660885 00	AIR FILTER
0014	SC660886 00	FRAME, AIR FILTER
0015	SC660887 00	GUIDE
0016	SC724422 00	BRACKET
0017	SC722894 00	TOP PANEL
0018	SC722895 01	UPPER LEFT SIDE PANEL
0019	SC722896 00	LOWER LEFT SIDE PANEL
0020	SC722897 01	UPPER RIGHT SIDE PANEL
0021	SC722898 00	LOWER RIGHT SIDE PANEL
0022	SC722899 00	LOWER FRONT PANEL - TOUCH
0023	SC722899 01	LOWER FRONT PANEL- TOUCH FREE
0024	SC722900 01	UPPER FRONT PANEL
0025	SC722902 01	REAR PANEL
0026	SC722938 00	REAR COVER
0027	SC661187 01	WATER CHUTE CLOSING PLUG
0028	SC620486 00	MICROSWITCH
0029	SC620487 05	BLACK SWITCH
0030	SC650382 01	LEG
0031	SC651668 01	PIVOT



Pos	Code	Description
0001	SC670105 23	COMPRESSOR 230/50/1
0001	SC670113 00	COMPRES. NEK6181GK 208-230/60
0002	SC650106 00	CAP
0003	SC650109 00	VALVE BODY
0004	SC670012 00	VALVE CORE
0005	SC784871 00	SUCTION LINE ASSY
0006	SC630020 01	STRAINER
0007	SC630003 05	DRIER
0008	SC620419 32	BLADE
0009	SC620595 00	AIR CONDENSER
0010	SC620419 62	BRACKET
0011	SC620419 02	FAN MOTOR ATEX
0012	SCEMB 2334105	RELAY
0013	SCEMB 2319140	PROTECTOR - 230/50
0014	SCEMB 2252346	CONDENSATORE 2252346

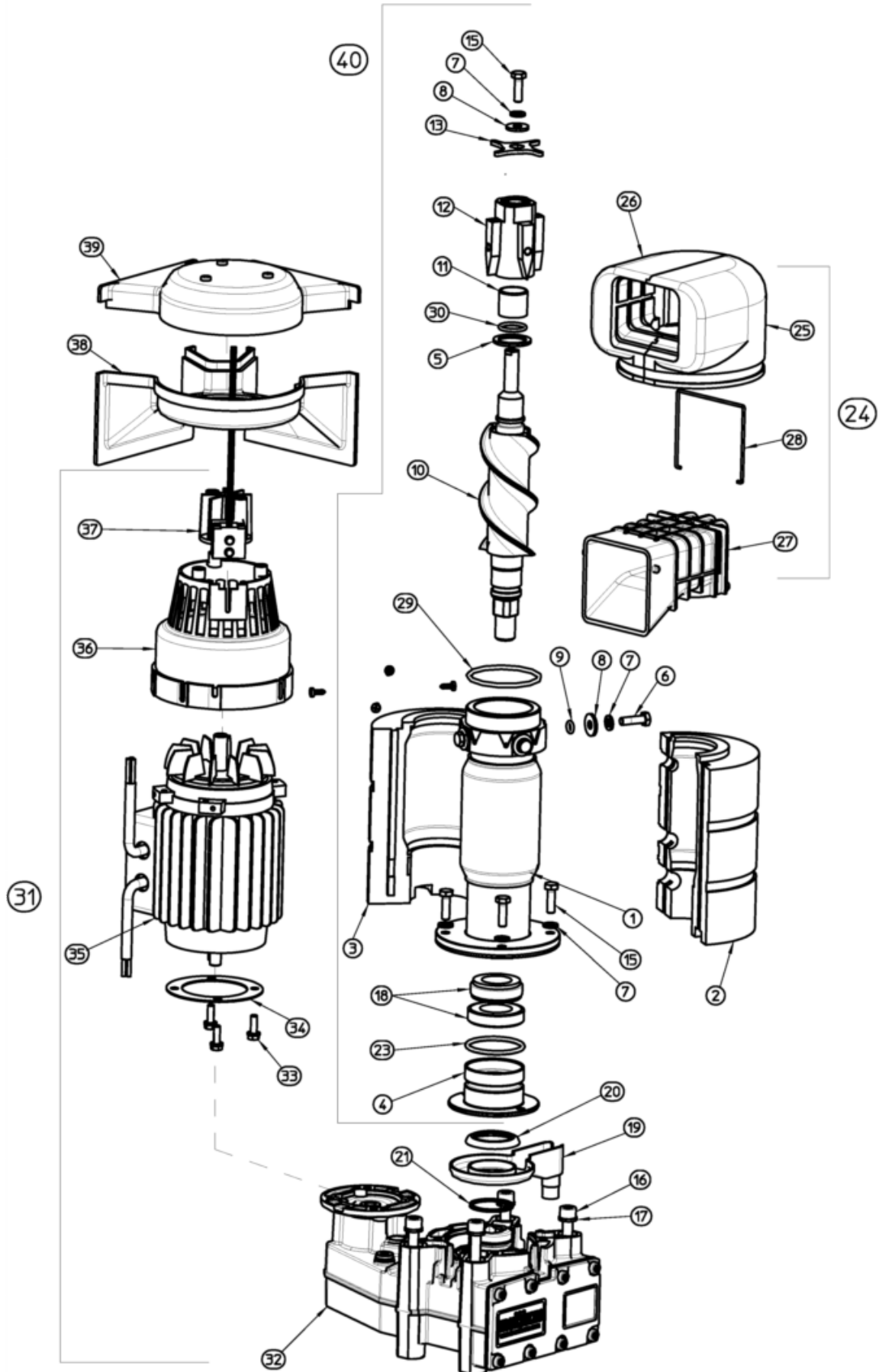


Pos	Code	Description
0001	SC661188 00	FUNNEL
0002	SC651668 01	PIVOT
0003	SC650105 66	WATER INLET VALVE ASSY
0004	SC651206 02	1/4 OD NYLON TUBE
0005	SC651224 01	WATER INLET FITTING
0006	SC651224 02	T FITTING
0007	SC651224 04	1/4 F-5/16F CONNECTOR
0008	SC651647 00	SNORKEL
0010	SC660535 00	PLASTIC NUT
0011	SC660993 00	FITTING
0012	SC661171 00	WATER DISCH COLLECTOR - USE SC661240 00
0013	SC661218 00	WATER DISPENSING TUBE
0014	SC704372 00	METAL BRACKET FOR FITTING
0015	SC281830 00	PLASTIC HOSE
0017	SC281830 12	TUBE D.17X13
0018	SC281900 01	TUBE 16X10
0018	SC651444 01	DW10 NON RETURN VALVE
0019	SC460046 00	CLAMP
0020	SC610251 00	DRAIN HOSE
0021	SC620460 00	WATER DRAIN VALVE
0022	SC620527 00	WATER IN. VALVE NORM. OPEN - 230V
0024	SC781486 00	BIN BOTTOM ASSY
0025	SC781576 01R	DISPENSING VANE DXN-200
0026	SC661183 00	GEAR MOTOR SHAFT GASKET
0027	SC620583 00	DISPENSING GEAR MOTOR 230/50-60/1
0029	SC793256 00R	WATER RESERVOIR ASSY
0030	SC640100 00	O RING OR 2025 (WRAS-FDA)
0031	SC660352 00	INSULATION
0032	SC660363 01	COVER
0033	SC660459 00	WATER RESERVOIR
0034	SC660585 00	FLOAT VALVE
0035	SC660957 00	PLASTIC NOZZLE
0036	SC610250 00	PVC TUBE

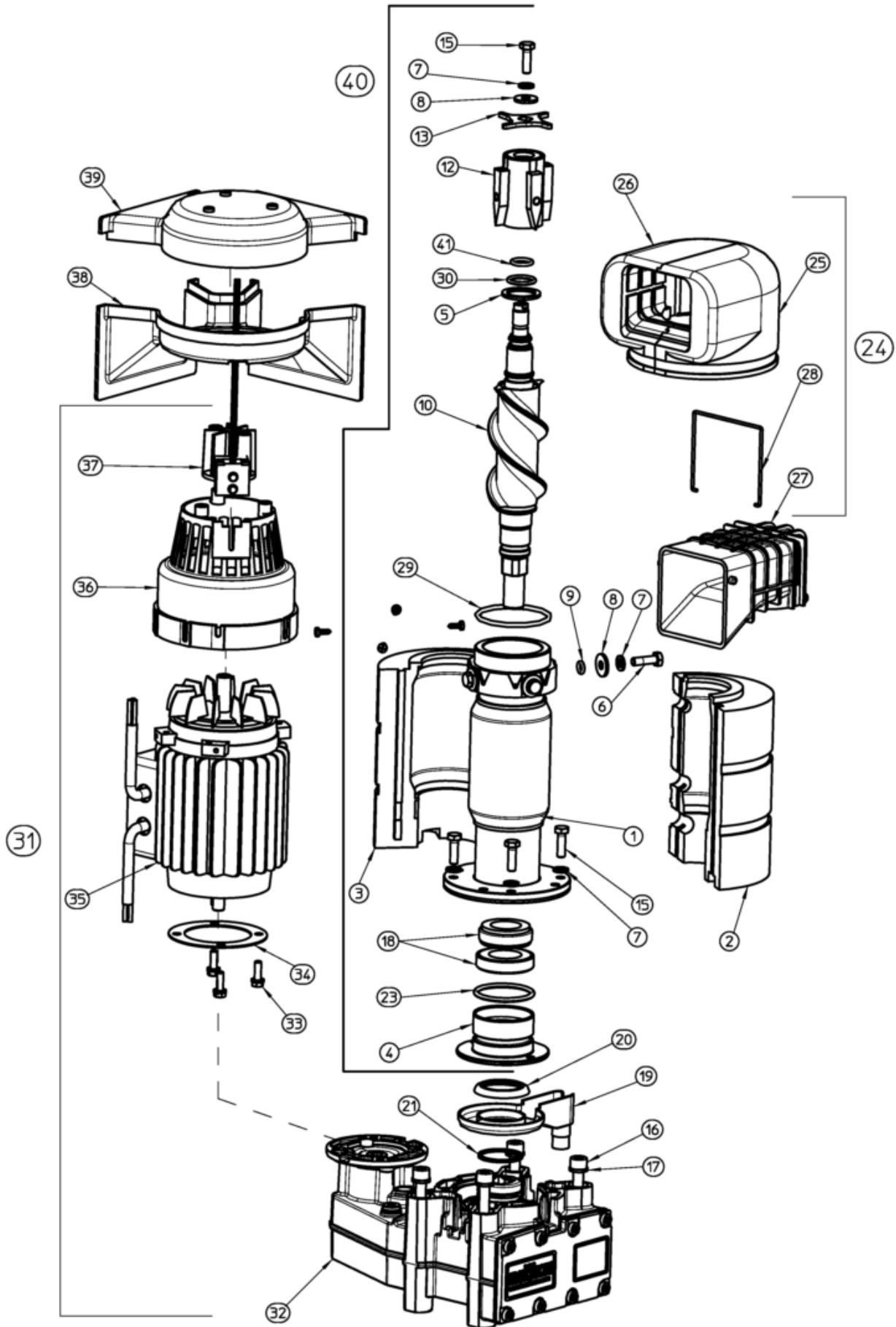


Pos	Code	Description
0001	SC661188 00	FUNNEL
0002	SC651668 01	PIVOT
0003	SC650105 66	WATER INLET VALVE ASSY
0004	SC651206 02	1/4 OD NYLON TUBE
0005	SC651224 01	WATER INLET FITTING
0006	SC651224 02	T FITTING
0007	SC651224 04	1/4 F-5/16F CONNECTOR
0008	SC651647 00	SNORKEL
0010	SC660535 00	PLASTIC NUT
0011	SC660993 00	FITTING
0012	SC661240 00	WATER DISCHARGE COLLECTOR
0013	SC661218 00	WATER DISPENSING TUBE
0014	SC704372 00	METAL BRACKET FOR FITTING
0015	SC281830 00	PLASTIC HOSE
0017	SC281830 12	TUBE D.17X13
0018	SC281900 01	TUBE 16X10
0018	SC651444 01	DW10 NON RETURN VALVE
0019	SC460046 00	CLAMP
0020	SC610251 00	DRAIN HOSE
0021	SC620460 00	WATER DRAIN VALVE
0022	SC620527 00	WATER IN. VALVE NORM. OPEN - 230V
0024	SC781486 00	BIN BOTTOM ASSY
0025	SC781576 01R	DISPENSING VANE DXN-200
0026	SC661183 00	GEAR MOTOR SHAFT GASKET
0027	SC620583 00	DISPENSING GEAR MOTOR 230/50-60/1
0029	SC793256 00R	WATER RESERVOIR ASSY
0030	SC640100 00	O RING OR 2025 (WRAS-FDA)
0031	SC660352 00	INSULATION
0032	SC660363 01	COVER
0033	SC660459 00	WATER RESERVOIR
0034	SC660585 00	FLOAT VALVE
0035	SC660957 00	PLASTIC NOZZLE
0036	SC610250 00	PVC TUBE

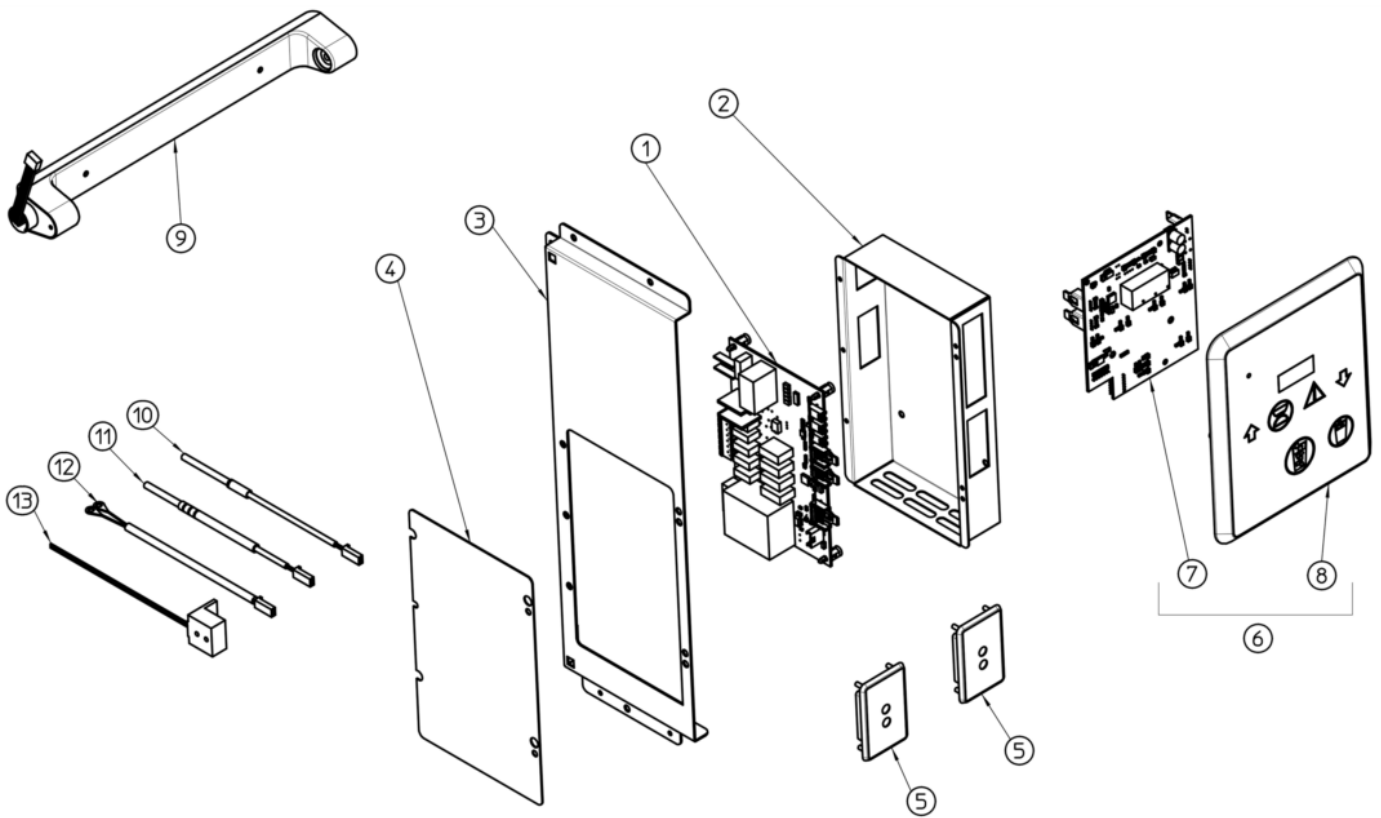




Pos	Code	Description
0001	SC794340 04R	FREEZER ASSY
0002	SC060814 01	FREEZER INSULATION KIT DXN-100/200
0003	SC060814 01	FREEZER INSULATION KIT DXN-100/200
0004	SC651589 00	WATER SEAL BRACKET
0005	SC661221 00	WASHER
0006	SC423915 04	SCREW
0007	SC440015 05	WASHER
0008	SC440050 02	S.S. WASHER
0009	SC640041 63	O-RING OR3021 (WRAS-FDA)
0010	SC060821 00	SCREW+ICEBREAKER DXN KIT
0011	SC060821 00	SCREW+ICEBREAKER DXN KIT
0012	SC060821 00	SCREW+ICEBREAKER DXN KIT
0013	SC723337 00	ICE SWEEP
0015	SC420000 13	SCREW
0017	SC440015 04	WASHER
0018	SC640113 02	WATER SEAL
0019	SC661166 00	WATER DRIP TRAY
0020	SC661112 01	DRIP PAN COVER
0021	SC640109 03	X RING (XR-026)
0023	SC640041 55	O-RING
0024	SC793257 00R	ICE SPOUT ASSY
0025	SC060814 02	NOZZLE INSULATION KIT DXN-100/200
0026	SC060814 02	NOZZLE INSULATION KIT DXN-100/200
0027	SC661163 02	ICE SPOUT
0028	SC460051 00	ICE SPOUT SPRING
0029	SC640041 50	O-RING
0030	SC640041 62	O-RING
0031	SC794341 01R	GEAR REDUCER ASSY
0032	SC620619 00	GEAR REDUCER ONLY, NO MOTOR
0033	SC420000 08	SCREW
0034	SC651634 00	SPACER
0035	SC620520 00	CAPACITOR 12,5 MFD
0035	SC620584 02	GEAR MOTOR RM56 230/50
0036	SC661186 01	MOTOR COVER
0037	SC784476 01	MGT BRACKET ASSY
0038	SC661214 00	UPPER AIR CONVEYOR
0039	SC661215 00	LOWER AIR CONVEYOR
0040	SC794340 04R	FREEZER ASSY



Pos	Code	Description
0001	SC784879 05	ASSY EVAP. WORKED DXN-100/200
0002	SC060814 01	FREEZER INSULATION KIT DXN-100/200
0003	SC060814 01	FREEZER INSULATION KIT DXN-100/200
0004	SC651589 00	WATER SEAL BRACKET
0005	SC661221 00	WASHER
0006	SC423915 04	SCREW
0007	SC440015 05	WASHER
0008	SC440050 02	S.S. WASHER
0009	SC640041 63	O-RING OR3021 (WRAS-FDA)
0010	SC651687 01R	SCREW DXN/MXF-322 SET
0011	SC060821 00	SCREW+ICEBREAKER DXN KIT
0012	SC060825 00	SET ICEBREAKER DXN KIT
0013	SC723337 00	ICE SWEEP
0015	SC420000 13	SCREW
0017	SC440015 04	WASHER
0018	SC640113 02	WATER SEAL
0019	SC661166 00	WATER DRIP TRAY
0020	SC661112 01	DRIP PAN COVER
0021	SC640109 03	X RING (XR-026)
0023	SC640041 55	O-RING
0024	SC793257 00R	ICE SPOUT ASSY
0025	SC060814 02	NOZZLE INSULATION KIT DXN-100/200
0026	SC060814 02	NOZZLE INSULATION KIT DXN-100/200
0027	SC661163 02	ICE SPOUT
0028	SC460051 00	ICE SPOUT SPRING
0029	SC640041 50	O-RING
0030	SC640041 62	O-RING
0031	SC794341 01R	GEAR REDUCER ASSY
0032	SC620619 00	GEAR REDUCER ONLY, NO MOTOR
0033	SC420000 08	SCREW
0034	SC651634 00	SPACER
0035	SC620520 00	CAPACITOR 12,5 MFD
0035	SC620584 02	GEAR MOTOR RM56 230/50
0036	SC661186 01	MOTOR COVER
0037	SC784476 01	MGT BRACKET ASSY
0038	SC661214 00	UPPER AIR CONVEYOR
0039	SC661215 00	LOWER AIR CONVEYOR
0040	SC794340 04R	FREEZER ASSY
0041	SC640041 32	O RING



Pos	Code	Description
0001	SC620620 01	POWER PCB DXN ATEX
0002	SC705264 01	CONTROL BOX
0003	SC705289 01	CONTROL BOX BRACKET
0004	SC705308 00	COPER.INVOL.SCHEDA EL.DXN
0005	SC620630 00	OPTICAL SENSOR CABLE
0005	SC795398 00	DISPENSING SENSOR
0006	SC795382 00	DISPLAY ASSY
0009	SC650674 05	OPTICAL ICE LEVEL CTRL
0010	SC620519 04	CONDENSER SENSOR NTC
0011	SC620519 01	EVAPORATOR SENSOR NTC
0012	SC620519 02	WATER SENSOR HARNESS-NTC
0013	SC620404 03	HALL SENSOR