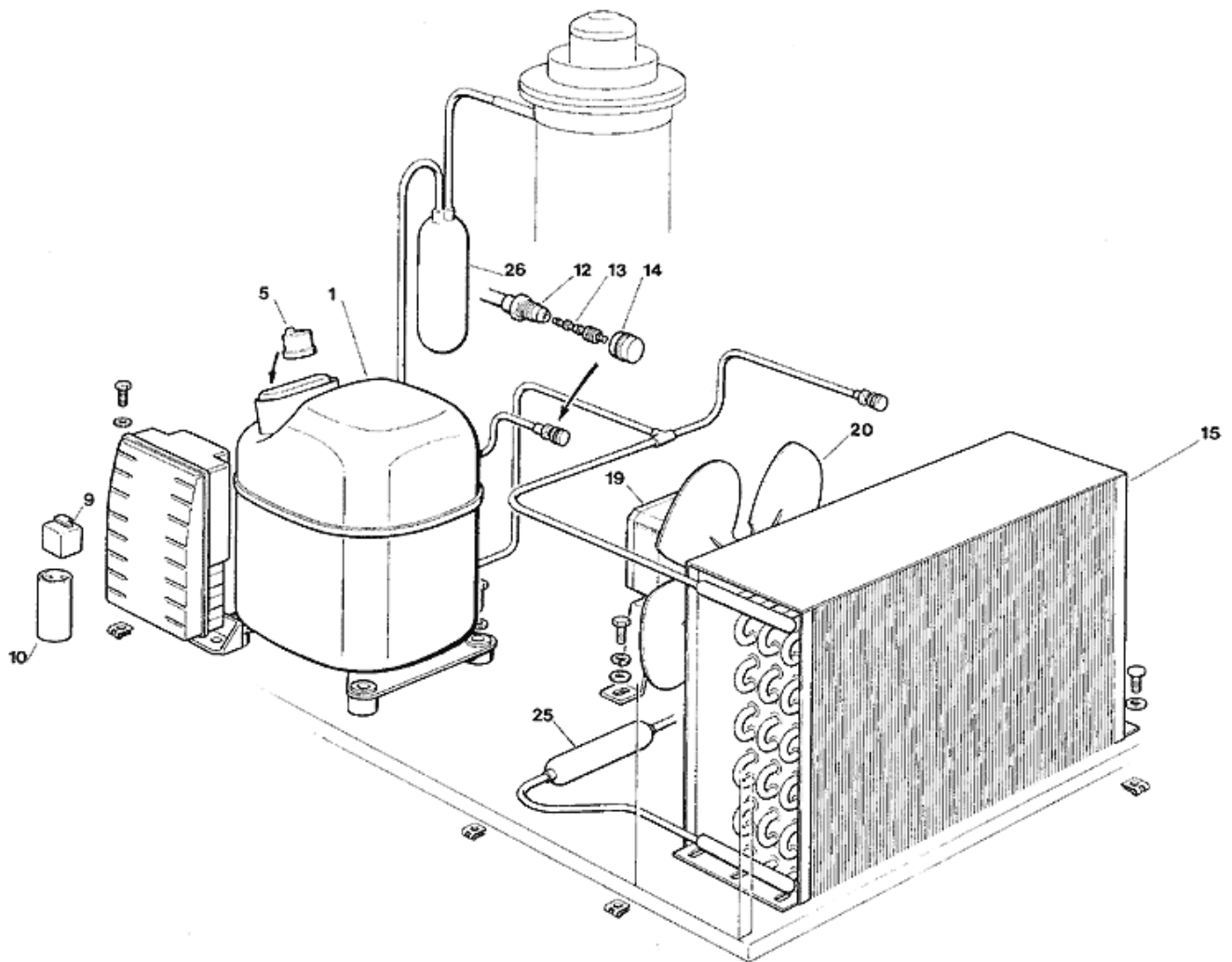
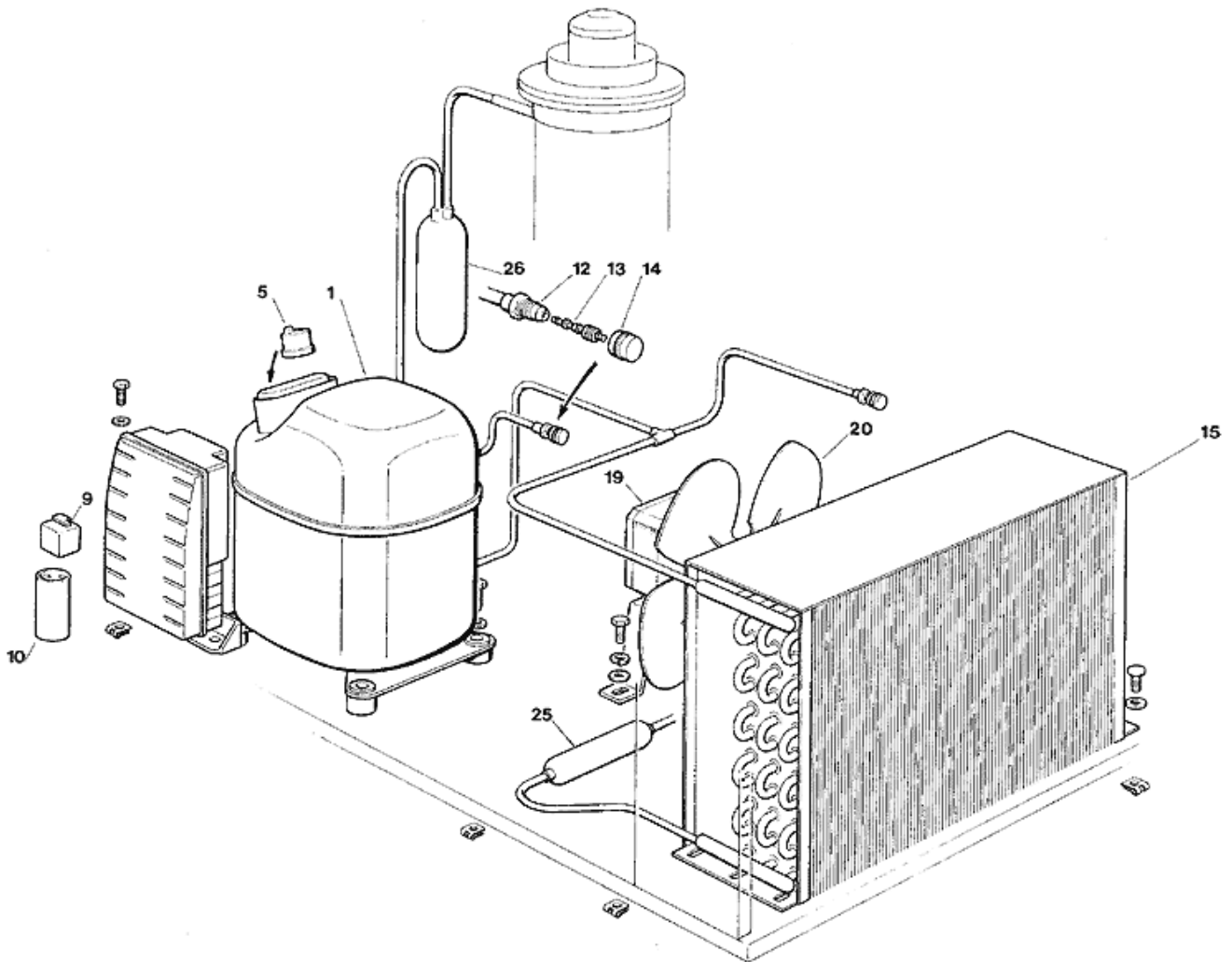


EDIPROM
1503.01

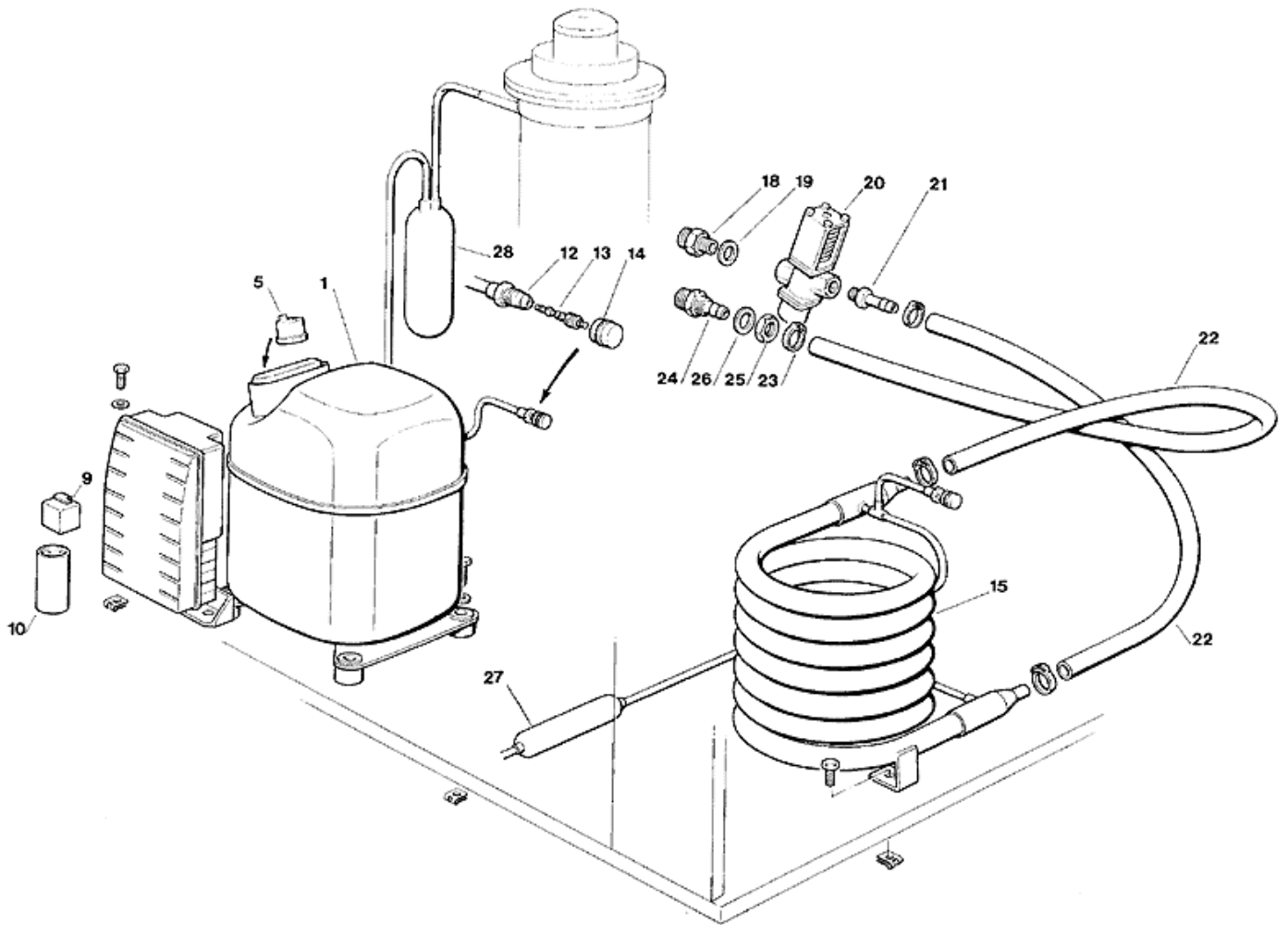
Pos	Code	Description
0001	SC782123 00R	STORAGE BIN ASSY AFC-80
0002	SC721712 01	LEFT SIDE PANEL
0002	SC721713 01	RIGHT SIDE PANEL
0002	SC791061 05	UNIT BASE ASSY
0004	SC794301 01R	TOP PANEL INSULATION
0005	SC722807 00	TOP PANEL
0006	SC660668 02	BACK SIDE PANEL
0007	SC702248 00	BRACKET
0008	SC660641 00	BIN DOOR FRAME ONLY
0008	SC721669 02	FRONT STRIPE
0010	SC660523 00	RIGHT SIDE GUIDE
0011	SC660523 01	LEFT SIDE GUIDE
0012	SC660642 00	BIN DOOR
0013	SC660286 00	BUSHING
0014	SC651469 00	LEG
0015	SC650624 13	LABEL
0016	SC650850 00	SCOTSMAN EMBLEM
0019	SC721714 03	FRONT PANEL



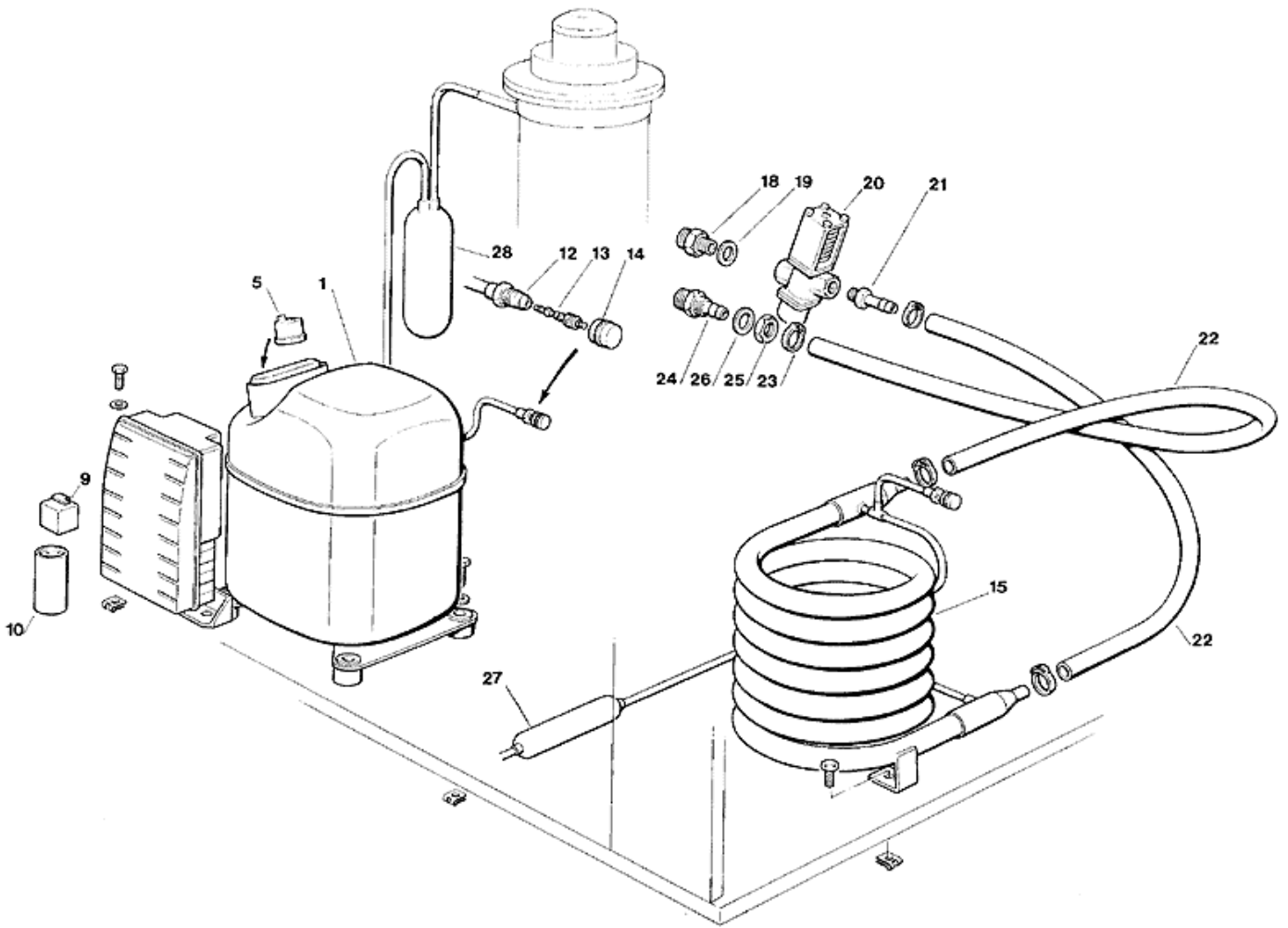
Pos	Code	Description
0001	SC670105 10	COMPRESSOR - 220-240/50/1
0005	SCEMB 2319079	PROTECTOR
0009	SCEMB 2334112	RELAY
0010	SCEMB 2252345	CAPACITOR
0012	SC650109 00	VALVE BODY
0013	SC670012 00	VALVE CORE
0014	SC650106 00	CAP
0015	SC620420 00	AIR COOLED CONDENSER
0019	SC620419 02	FAN MOTOR ATEX
0019	SC620419 03	FAN MOTOR ATEX
0019	SC620419 61	BRACKET, MOTOR - USE SC620419 69
0020	SC620419 32	BLADE
0025	SC630003 03	FILTER
0026	SC784878 01R	SUCTION LINE



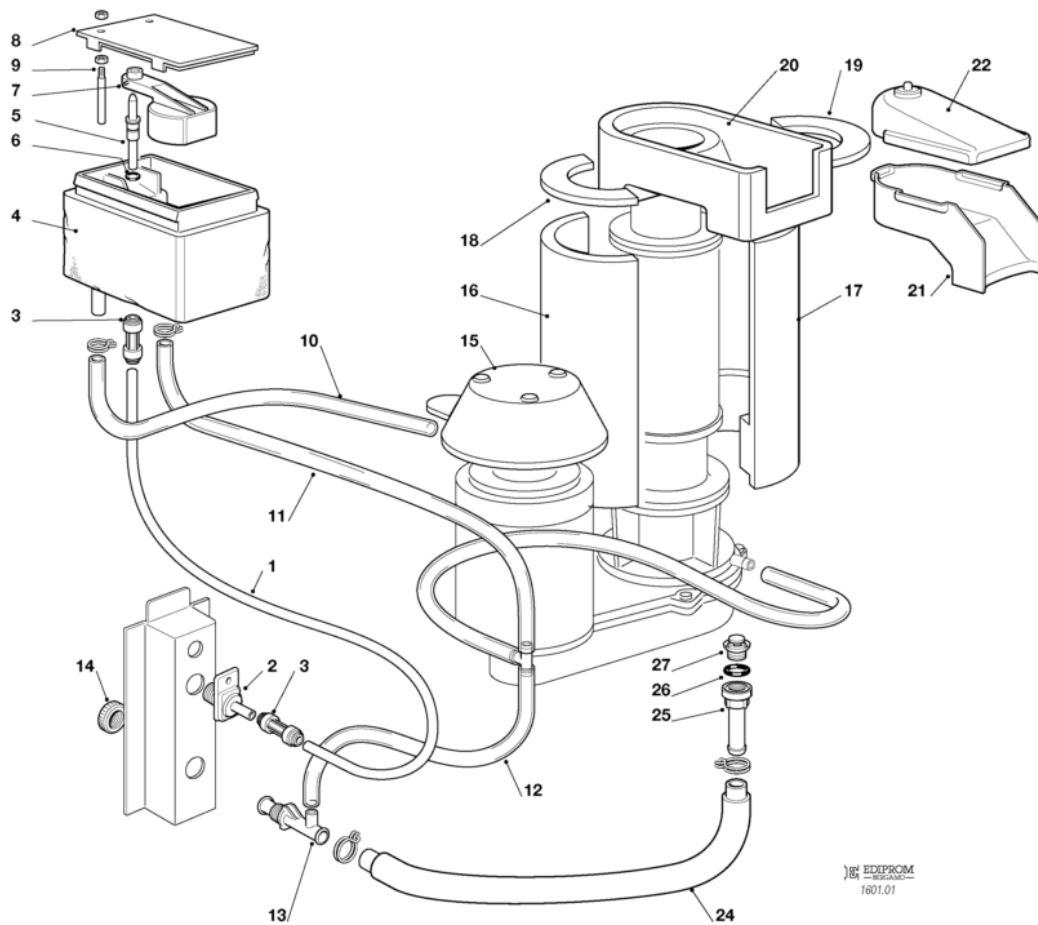
Pos	Code	Description
0001	SC670100 19	COMPRESSOR 230/50/1
0005	SCCUB 102201	PROTECTOR - 230/50/1
0009	SCCUB 405151	RELAY - 230/50/1
0010	SC620167 01	START.CAP. - 8640161
0010	SCCUB 102655	RUN CAPACITOR - 230/50/1
0012	SC650109 00	VALVE BODY
0013	SC670012 00	VALVE CORE
0014	SC650106 00	CAP
0015	SC620420 00	AIR COOLED CONDENSER
0019	SC620419 02	FAN MOTOR ATEX
0019	SC620419 03	FAN MOTOR ATEX
0019	SC620419 61	BRACKET, MOTOR - USE SC620419 69
0020	SC620419 32	BLADE
0025	SC630003 03	FILTER
0026	SC784878 15R	SUCTION LINE ASSY



Pos	Code	Description
0001	SC670105 10	COMPRESSOR - 220-240/50/1
0005	SCEMB 2319079	PROTECTOR
0009	SCEMB 2334112	RELAY
0010	SCEMB 2252345	CAPACITOR
0012	SC650109 00	VALVE BODY
0013	SC670012 00	VALVE CORE
0014	SC650106 00	CAP
0015	SC620389 00	WATER COOLED CONDENSER
0018	SC733204 00	WATER INLET FITTING
0019	SC400031 01	WASHER
0020	SC620111 00	WATER REGUL. VALVE
0021	SC733173 02	OBSOLETE
0022	SC281900 05	TUBO PVC DN13 (13X19)90°
0024	SC733174 00	FITTING
0025	SC400076 00	NUT
0026	SC400031 00	WASHER
0027	SC630003 03	FILTER
0028	SC784878 01R	SUCTION LINE

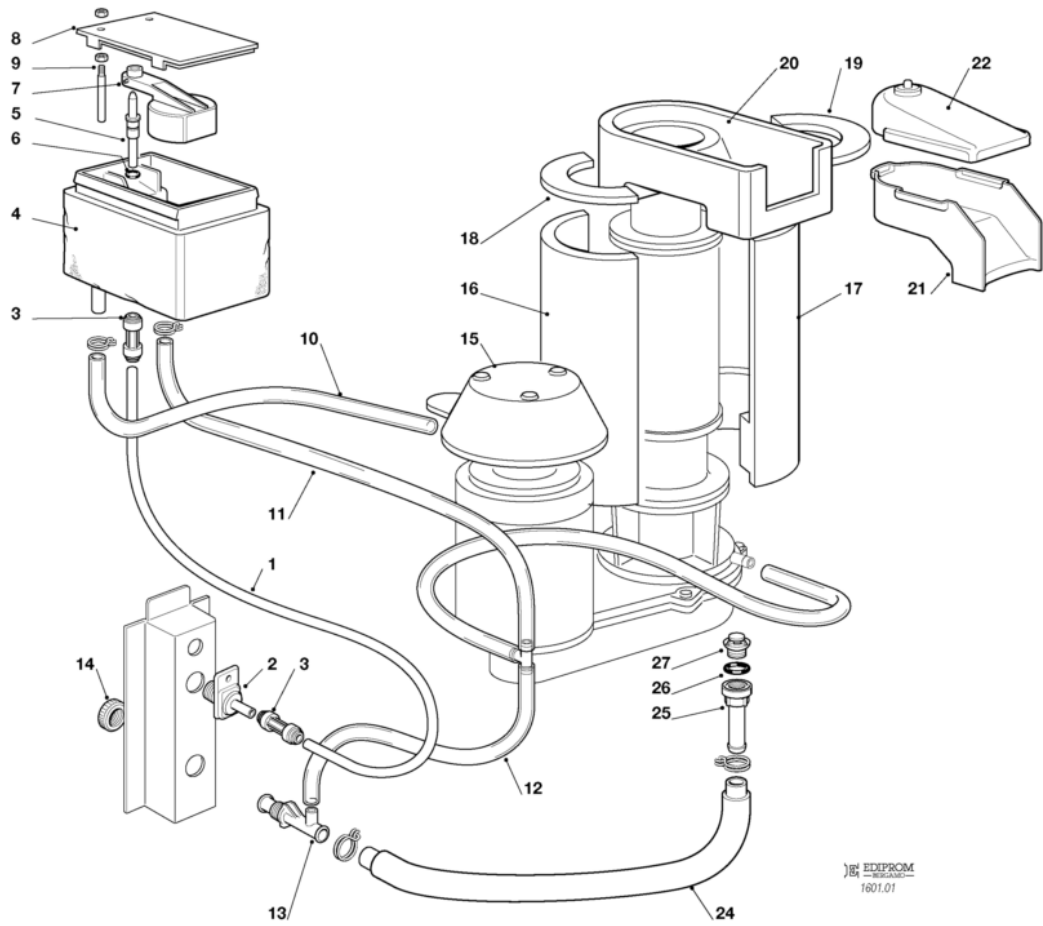


Pos	Code	Description
0001	SC670100 19	COMPRESSOR 230/50/1
0005	SCCUB 102201	PROTECTOR - 230/50/1
0009	SCCUB 405151	RELAY - 230/50/1
0010	SC620167 01	START.CAP. - 8640161
0010	SCCUB 102655	RUN CAPACITOR - 230/50/1
0012	SC650109 00	VALVE BODY
0013	SC670012 00	VALVE CORE
0014	SC650106 00	CAP
0015	SC620389 00	WATER COOLED CONDENSER
0018	SC733204 00	WATER INLET FITTING
0019	SC400031 01	WASHER
0020	SC620111 00	WATER REGUL. VALVE
0021	SC733173 02	OBSOLETE
0022	SC281900 05	TUBO PVC DN13 (13X19)90°
0024	SC733174 00	FITTING
0025	SC400076 00	NUT
0026	SC400031 00	WASHER
0027	SC630003 03	FILTER
0028	SC784878 15R	SUCTION LINE ASSY

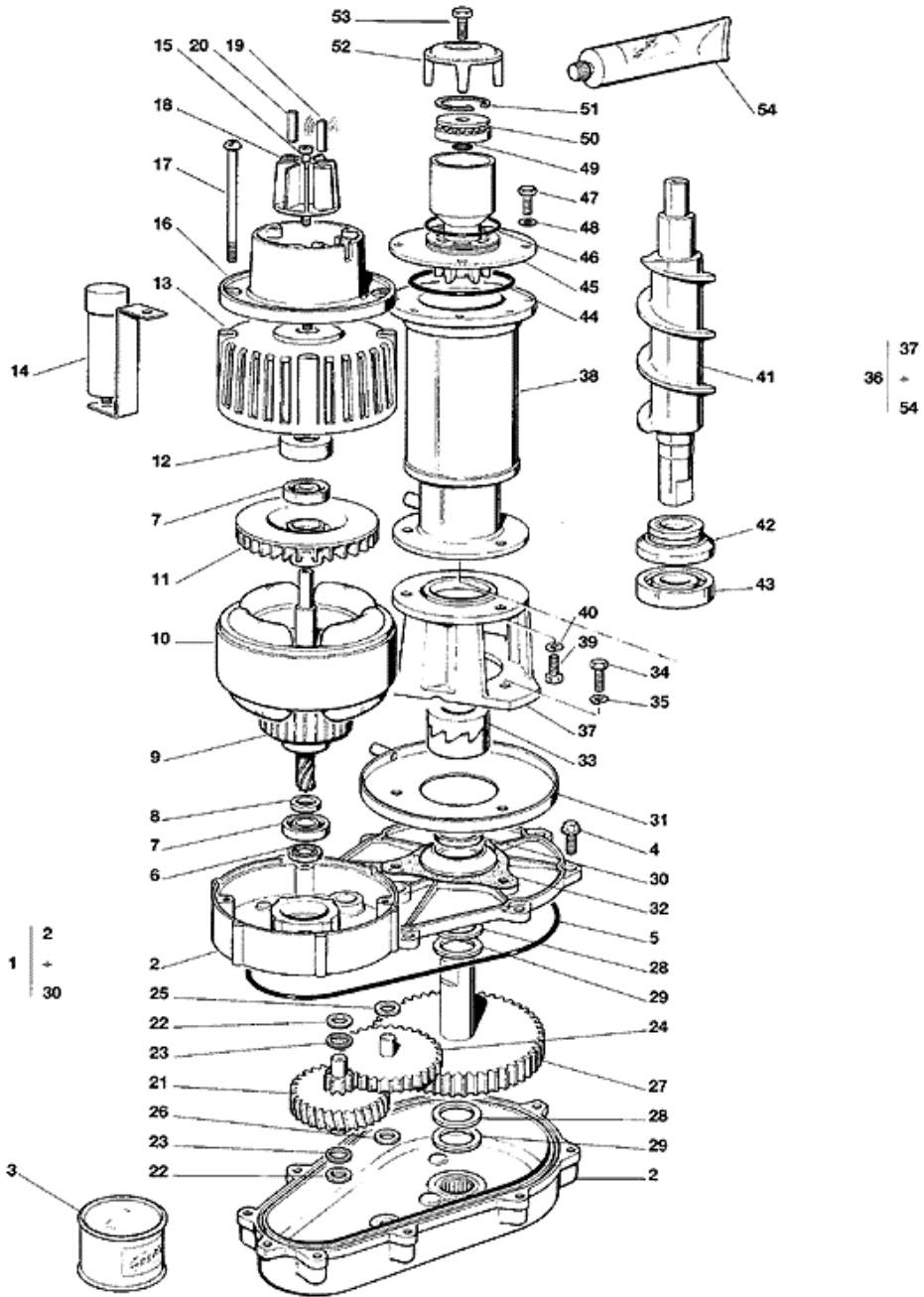


EDIPROM
1801.01

Pos	Code	Description
0001	SC651206 02	1/4 OD NYLON TUBE
0002	SC660956 00	WATER IN PLASTIC FITTING
0003	SC651224 04	1/4 F-5/16F CONNECTOR
0004	SC660352 00	INSULATION
0004	SC660459 00	WATER RESERVOIR
0005	SC660957 00	PLASTIC NOZZLE
0006	SC640100 00	O RING OR 2025 (WRAS-FDA)
0007	SC660585 00	FLOAT VALVE
0008	SC660363 00	COVER
0009	SC724215 06	WATER LEVEL METAL PIN
0010	SC610171 02	PLASTIC HOSE
0011	SC610182 09	PLASTIC HOSE
0012	SC610171 02	PLASTIC HOSE
0013	SC660224 00	TEE TUBE
0014	SC660535 00	PLASTIC NUT
0015	SC660670 01	ROTOR PROTECTION
0016	SC060551 04	KIT INSULATION, FREEZER
0017	SC060551 04	KIT INSULATION, FREEZER
0018	SC650723 01	INSULATION
0019	SC650723 01	INSULATION
0020	SC650827 00	ISOLAMENTO BOCCA USC.GHI.
0021	SC660695 01	ICE SPOUT
0022	SC661133 00	SPOUT COVER
0024	SC610148 10	TUBE
0026	SC640134 00	O RING
0027	SC660211 01	DRAIN FILTER

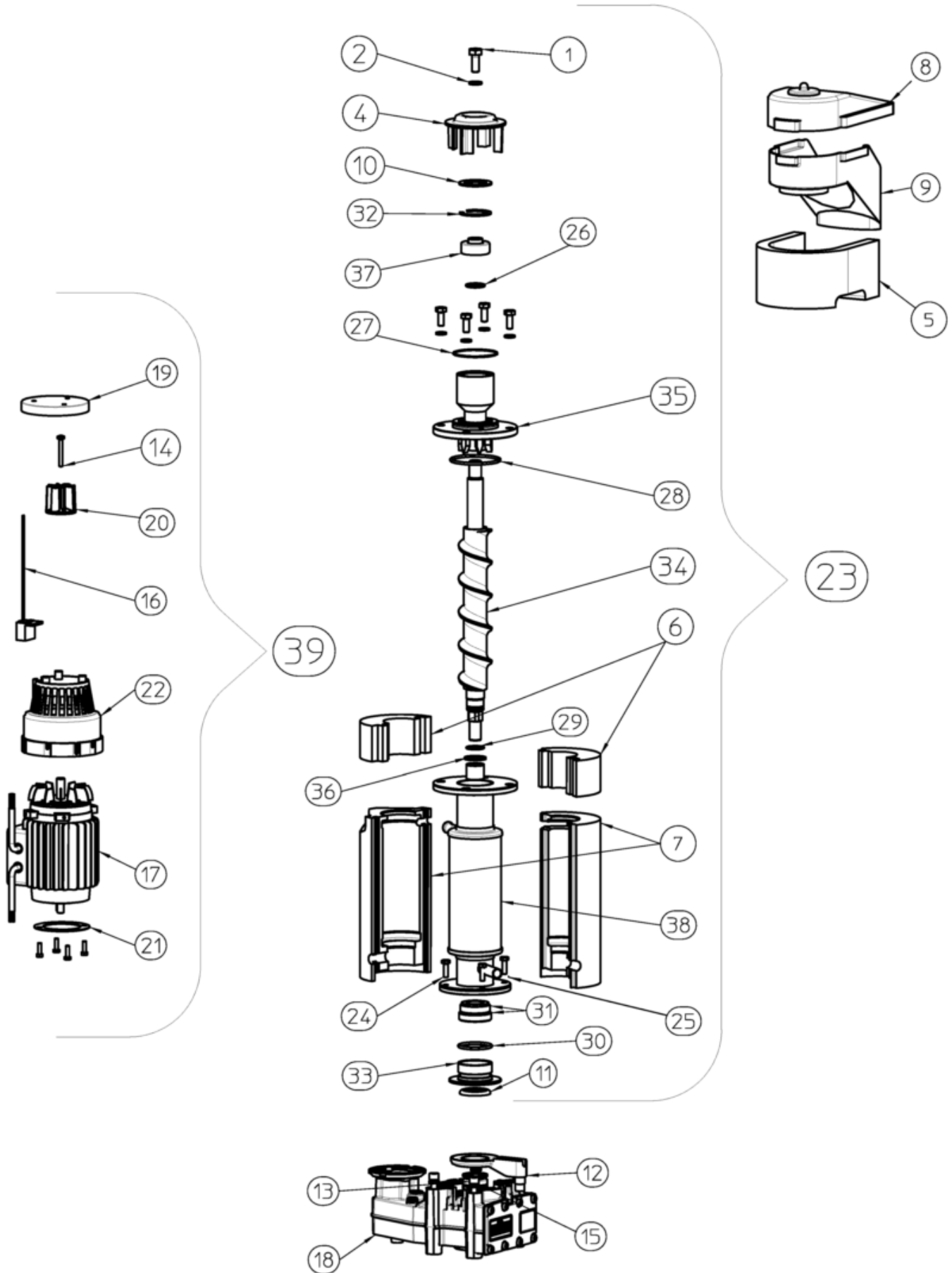


Pos	Code	Description
0001	SC651206 02	1/4 OD NYLON TUBE
0002	SC660956 00	WATER IN PLASTIC FITTING
0003	SC651224 04	1/4 F-5/16F CONNECTOR
0004	SC660352 00	INSULATION
0004	SC660459 00	WATER RESERVOIR
0005	SC660957 00	PLASTIC NOZZLE
0006	SC640100 00	O RING OR 2025 (WRAS-FDA)
0007	SC660585 00	FLOAT VALVE
0008	SC660363 00	COVER
0009	SC724215 06	WATER LEVEL METAL PIN
0010	SC610171 02	PLASTIC HOSE
0011	SC610182 09	PLASTIC HOSE
0012	SC610171 02	PLASTIC HOSE
0013	SC660224 00	TEE TUBE
0014	SC660535 00	PLASTIC NUT
0015	SC660670 01	ROTOR PROTECTION
0016	SC060551 04	KIT INSULATION, FREEZER
0017	SC060551 04	KIT INSULATION, FREEZER
0020	SC650827 00	ISOLAMENTO BOCCA USC.GHI.
0021	SC660695 01	ICE SPOUT
0022	SC661133 00	SPOUT COVER
0024	SC610148 10	TUBE
0026	SC640134 00	O RING
0027	SC660211 01	DRAIN FILTER

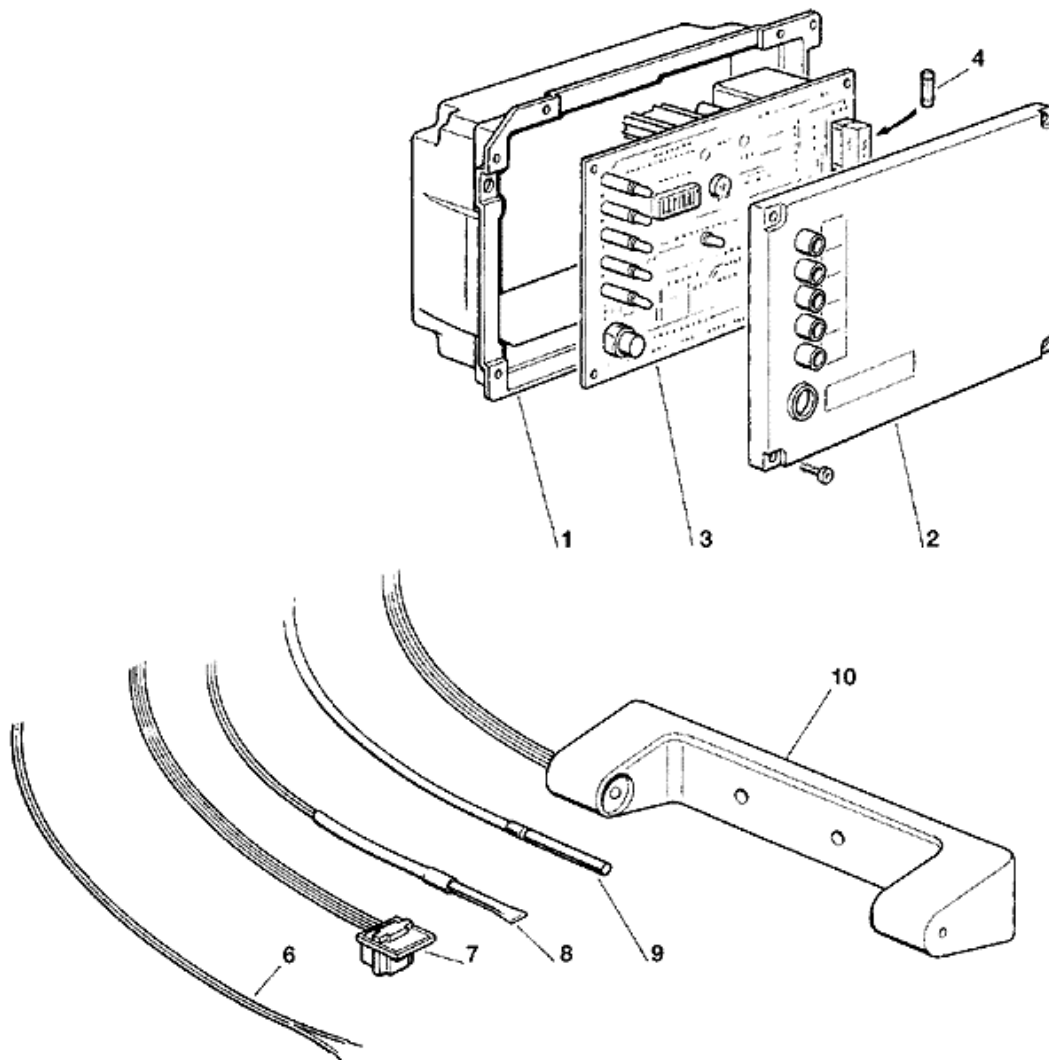


Pos	Code	Description
0001	SC794225 13R	GEAR REDUCER ASSY - 230/50-60
0002	SC001015 01	GEAR CASE KIT
0003	SC060294 04	GEAR REDUCER GREASE 0,5KG
0004	SC429852 00	SCREW
0005	SC640084 00	O RING
0006	SC640083 00	GREASE SEAL
0007	SC651056 00	BEARING
0008	SC441800 09	SPECIAL WASHER
0009	SC794123 03R	ROTOR ASSY
0010	SC620521 00	STATOR 230V
0010	SC620521 01	STATOR 115V
0011	SC764001 01	BLADE
0012	SC640095 00	RUBBER INSERT
0013	SC794226 01R	MOTOR HOUSING
0014	SC620520 00	CAPACITOR 12,5 MFD
0014	SC620520 03	CAPACITOR 4 MFD
0015	SC03001403 77	PANHEAD MACHINE SCREW
0016	SC650515 01	MOTOR COVER
0017	SC423872 02	SCREW
0018	SC784476 01	MGT BRACKET ASSY
0019	SC784476 01	MGT BRACKET ASSY
0020	SC784476 01	MGT BRACKET ASSY
0021	SC651160 00	GEAR
0022	SC441800 06	WASHER
0023	SC441800 05	WASHER
0024	SC651161 00	GEAR AND PINION
0025	SC441800 08	WASHER
0026	SC441800 07	WASHER
0027	SC651162 01	3RD GEAR & PINION
0028	SC441808 00	WASHER
0029	SC441808 00	WASHER
0030	SC640019 01	GASKET SMIM 2232/5.5
0031	SC660756 00	WATER DRIP TRAY
0032	SC640041 36	O RING OR 6200 (WRAS-FDA)
0033	SC060359 00	KIT COUPLING AF
0034	SC03001405 38	SCREW
0034	SC420019 00	SCREW
0036	SC794300 03R	FREEZER ASSY AFC-80
0037	SC764010 00	FREEZER BRACKET
0038	SC784810 01	WORM TUBE - USE 784810 02
0039	SC03001405 38	SCREW
0039	SC420019 00	SCREW
0041	SC640041 40	O RING OR 3068 (WRAS-FDA)
0041	SC650727 01	AUGER
0042	SC640040 00	WATER SEAL
0043	SC670011 01	BEARING
0044	SC640041 28	O RING OR 168 (WRAS-FDA)
0045	SC060661 00	ICE BREAKER KIT
0046	SC640041 27	O RING OR 2237 (WRAS-FDA)
0047	SC420019 00	SCREW

Pos	Code	Description
0049	SC640041 25	O RING OR 3087 (WRAS-FDA)
0050	SC060661 00	ICE BREAKER KIT
0051	SC650297 00	SNAP RING
0052	SC650725 01	ICE SWEEP - SOFT PLASTIC
0052	SC660980 00	PLASTIC RING
0053	SC420030 00	SCREW
0054	SC263612 00	GREASE FOODLUBE UNIVERSAL 2,0 & 000



Pos	Code	Description
0001	SC420030 00	SCREW
0002	SC440015 06	WASHER
0004	SC650725 01	ICE SWEEP - SOFT PLASTIC
0005	SC650827 00	ISOLAMENTO BOCCA USC.GHI.
0007	SC060551 04	KIT INSULATION, FREEZER
0008	SC661133 00	SPOUT COVER
0009	SC660695 01	ICE SPOUT
0010	SC660980 00	PLASTIC RING
0011	SC661112 01	DRIP PAN COVER
0012	SC661166 00	WATER DRIP TRAY
0013	SC420285 07	SCREW
0014	SC422285 01	SCREW
0015	SC440015 04	WASHER
0016	SC620404 03	HALL SENSOR
0017	SC620520 03	CAPACITOR 4 MFD
0017	SC620584 06	DRIVE MOTOR ONLY 230/50/1
0018	SC620619 00	GEAR REDUCER ONLY, NO MOTOR
0019	SC650515 02	PLASTIC COVER
0020	SC784476 01	MGT BRACKET ASSY
0021	SC651634 00	SPACER
0022	SC661186 01	MOTOR COVER
0023	SC794358 00R	FREEZER ASSY
0024	SC420000 13	SCREW
0025	SC440015 05	WASHER
0026	SC640041 25	O RING OR 3087 (WRAS-FDA)
0027	SC640041 27	O RING OR 2237 (WRAS-FDA)
0028	SC640041 28	O RING OR 168 (WRAS-FDA)
0029	SC640041 43	O RING OR 2087 (WRAS-FDA)
0030	SC640041 55	O-RING
0031	SC640113 02	WATER SEAL
0032	SC650297 02	CLIP RING
0033	SC651657 00	WATER SEAL RETAINER
0034	SC651678 00	AUGER
0035	SC651680 00	ICEBREAKER FLANGE
0036	SC661221 00	WASHER
0037	SC670041 02	TOP RADIAL BEARING - USE SC060720 01
0039	SC060819 00	DRIVE MOTOR ASSY - 230/50/1



Pos	Code	Description
0001	SCCM 29070021	NLA
0002	SCCM 29015057	PLASTIC COVER
0003	SC620462 16	PC BOARD - 115 V
0003	SC620462 23	PC BOARD 230V
0004	SC630015 15	FUSE T6,3A - 250V
0006	SC620519 02	WATER SENSOR HARNESS-NTC
0007	SC620404 03	HALL SENSOR
0008	SC620519 04	CONDENSER SENSOR NTC
0009	SC620519 01	EVAPORATOR SENSOR NTC
0010	SC650674 08	OPTICAL ICE LEVEL CTRL