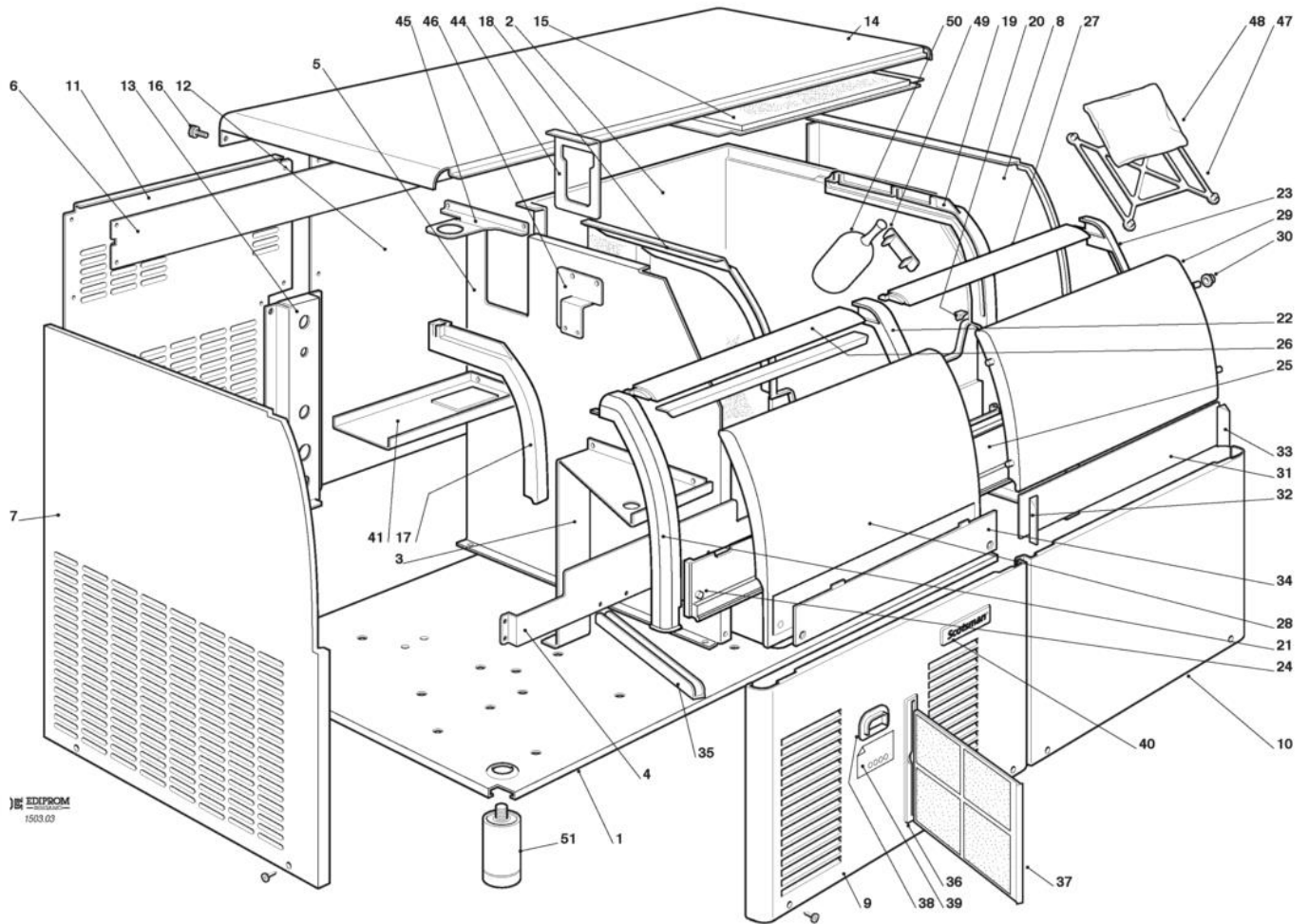
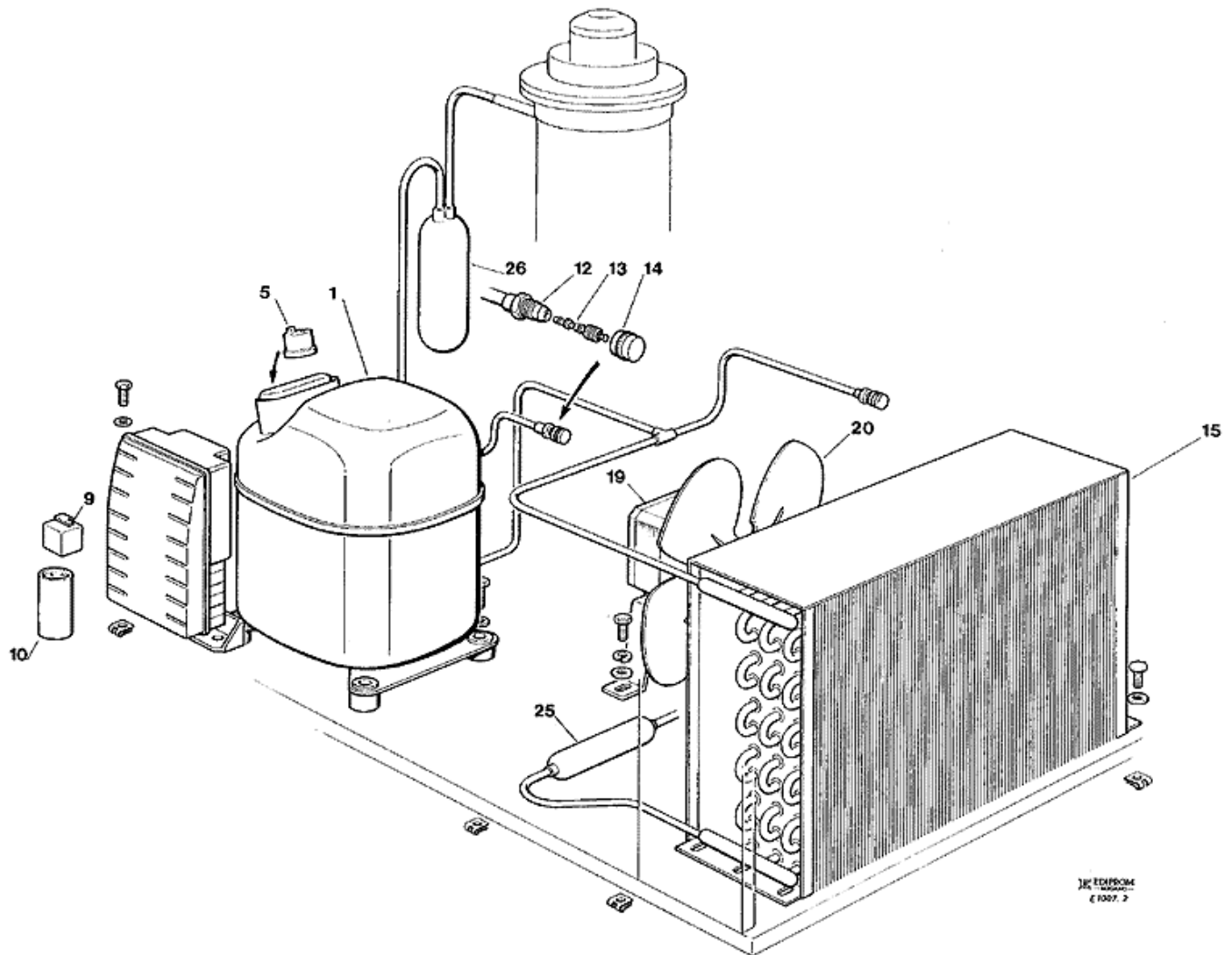


Pos	Code	Description
0002	SC782113 00R	STORAGE BIN ASSY - AFC134
0003	SC702617 00	SEPARATORE CONDEN. AFC134
0004	SC702615 00	BRACKET
0005	SC702616 00	PANN. INTERNO AFC-134
0006	SC702614 00	METAL BRACKET
0007	SC722457 00	LEFT SIDE PANEL
0008	SC722456 00	RIGHT SIDE PANEL
0009	SC722459 00	LEFT FRONT PANEL
0009	SC722459 01	PANN.ANT.SX W AFC-134
0010	SC722458 00	FRONT RIGHT PANEL
0011	SC702613 00	LEFT SIDE REAR PANEL
0012	SC702612 00	PANN. POSTER. DX AFC-134
0013	SC702622 00	FITTINGS BRACKET
0014	SC722460 00	TOP PANEL
0015	SC650904 00	ISOLATION PANEL
0015	SC660828 00	BIN COVER
0016	SC470030 52	SCREW
0017	SC660784 02	GUIDE LEFT SIDE
0018	SC660784 01	LEFT SIDE TRACK
0019	SC660784 00	RIGHT SIDE TRACK
0020	SC660816 00	SHOCK ABSORBER
0021	SC660832 00	LEFT SIDE DOOR FRAME
0022	SC660845 00	DOOR FRAME, LEFT SIDE
0023	SC660832 01	RIGHT SIDE DOOR FRAME
0024	SC660992 00	PLASTIC BRACKET
0025	SC660833 00	BOTTOM DOOR FRAME
0026	SC660785 03	UPPER DOOR FRAME
0027	SC660785 00	UPPER DOOR FRAME
0028	SC660992 01	SERVICE DOOR
0029	SC660786 00	BIN DOOR
0030	SC660286 00	BUSHING
0031	SC721938 00	S.S.FRONT LINER
0032	SC660837 01	LEFT PLASTIC INSERT
0033	SC660837 00	RIGHT PLASTIC INSERT
0034	SC722467 00	PLATE
0035	SC660817 00	SLIDE AIR FILTER
0036	SC660804 01	AIR FILTER SEAT
0037	SC660805 01	AIR FILTER
0038	SC660829 00	FRONT SWITCH PLASTIC PROT
0039	SC650624 13	LABEL
0040	SC650850 00	SCOTSMAN EMBLEM
0041	SC701830 01	GEAR RED. BASE
0044	SC723186 00	CORNICE BOCCHET. AFC-134
0045	SC723187 00	PLATE
0046	SC724444 00	METAL BRACKET
0047	SC660831 00	ANTIBACTERIAS GRILL BAG - NLA
0048	SC650909 00	NO LONGER AVAILABLE
0049	SC660767 01	HOLDER ICE SCOOP
0050	SC650923 00	ICE SCOOP
0051	SC650670 01	LET SET

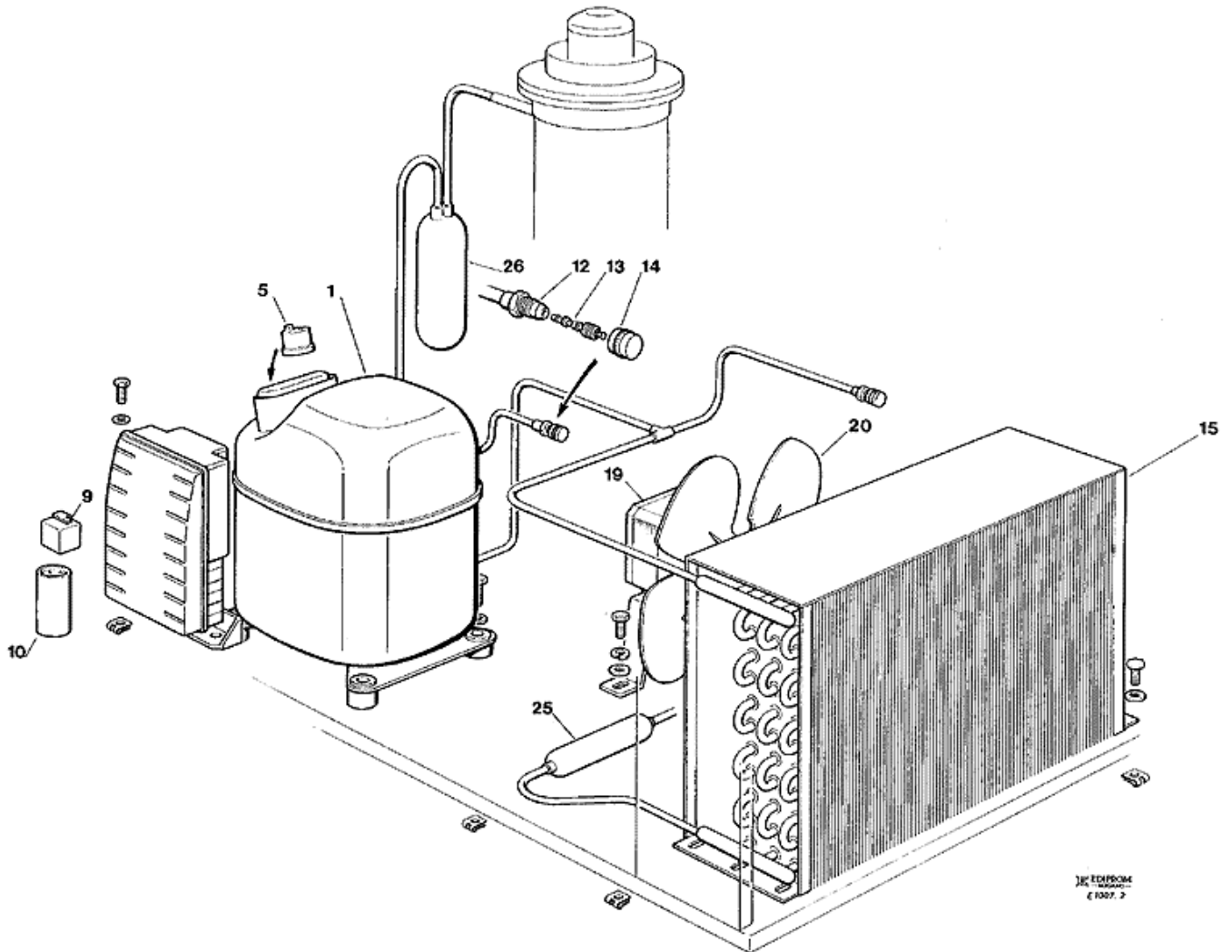


EDIPROM  
1503.03

Pos	Code	Description
0002	SC782113 00R	STORAGE BIN ASSY - AFC134
0003	SC702617 00	SEPARATORE CONDEN. AFC134
0004	SC702615 00	BRACKET
0005	SC702616 00	PANN. INTERNO AFC-134
0006	SC702614 00	METAL BRACKET
0007	SC722457 00	LEFT SIDE PANEL
0008	SC722456 00	RIGHT SIDE PANEL
0009	SC722459 00	LEFT FRONT PANEL
0009	SC722459 01	PANN.ANT.SX W AFC-134
0010	SC722458 00	FRONT RIGHT PANEL
0011	SC702613 00	LEFT SIDE REAR PANEL
0012	SC702612 00	PANN. POSTER. DX AFC-134
0013	SC702622 00	FITTINGS BRACKET
0014	SC722460 00	TOP PANEL
0015	SC650904 00	ISOLATION PANEL
0015	SC660828 00	BIN COVER
0016	SC470030 52	SCREW
0017	SC660784 02	GUIDE LEFT SIDE
0018	SC660784 01	LEFT SIDE TRACK
0019	SC660784 00	RIGHT SIDE TRACK
0020	SC660816 00	SHOCK ABSORBER
0021	SC660832 00	LEFT SIDE DOOR FRAME
0022	SC660845 00	DOOR FRAME, LEFT SIDE
0023	SC660832 01	RIGHT SIDE DOOR FRAME
0024	SC660992 00	PLASTIC BRACKET
0025	SC660833 00	BOTTOM DOOR FRAME
0026	SC660785 03	UPPER DOOR FRAME
0027	SC660785 00	UPPER DOOR FRAME
0028	SC660992 01	SERVICE DOOR
0029	SC660786 00	BIN DOOR
0030	SC660286 00	BUSHING
0031	SC721938 00	S.S.FRONT LINER
0032	SC660837 01	LEFT PLASTIC INSERT
0033	SC660837 00	RIGHT PLASTIC INSERT
0034	SC722467 00	PLATE
0035	SC660817 00	SLIDE AIR FILTER
0036	SC660804 01	AIR FILTER SEAT
0037	SC660805 01	AIR FILTER
0038	SC660829 00	FRONT SWITCH PLASTIC PROT
0039	SC650624 13	LABEL
0040	SC650850 00	SCOTSMAN EMBLEM
0041	SC701830 01	GEAR RED. BASE
0044	SC723186 00	CORNICE BOCCHET. AFC-134
0045	SC723187 00	PLATE
0046	SC724444 00	METAL BRACKET
0047	SC660831 00	ANTIBACTERIAS GRILL BAG - NLA
0048	SC650909 00	NO LONGER AVAILABLE
0049	SC660767 01	HOLDER ICE SCOOP
0050	SC650923 00	ICE SCOOP
0051	SC651469 00	LEG



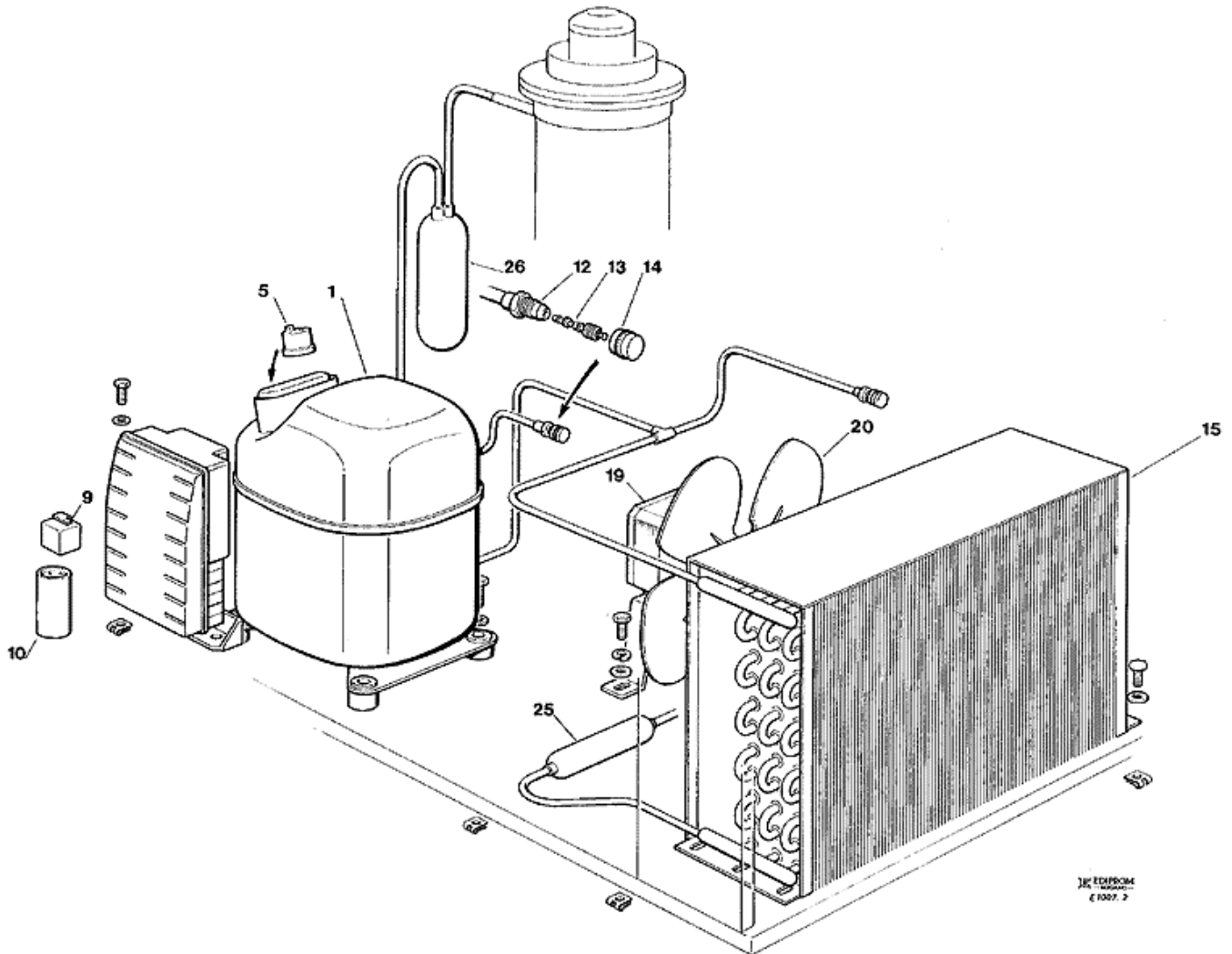
Pos	Code	Description
0001	SC670105 11	USE SC670105 23
0005	SCCUB 102197	PROTECTOR
0009	SCCUB 100477	RELAY
0010	SC620167 21	CAPACITOR - 8685302
0010	SCCUB 102661	START CAPACITOR
0012	SC650109 00	VALVE BODY
0013	SC670012 00	VALVE CORE
0014	SC650106 00	CAP
0015	SC620455 00	AIR COOLED CONDENSER
0019	SC620419 02	FAN MOTOR ATEX
0019	SC620419 03	FAN MOTOR ATEX
0020	SC620419 33	BLADE
0025	SC630003 03	FILTER
0026	SC784714 01R	SECTION LINE



JK EDIPROM  
E 1007.2

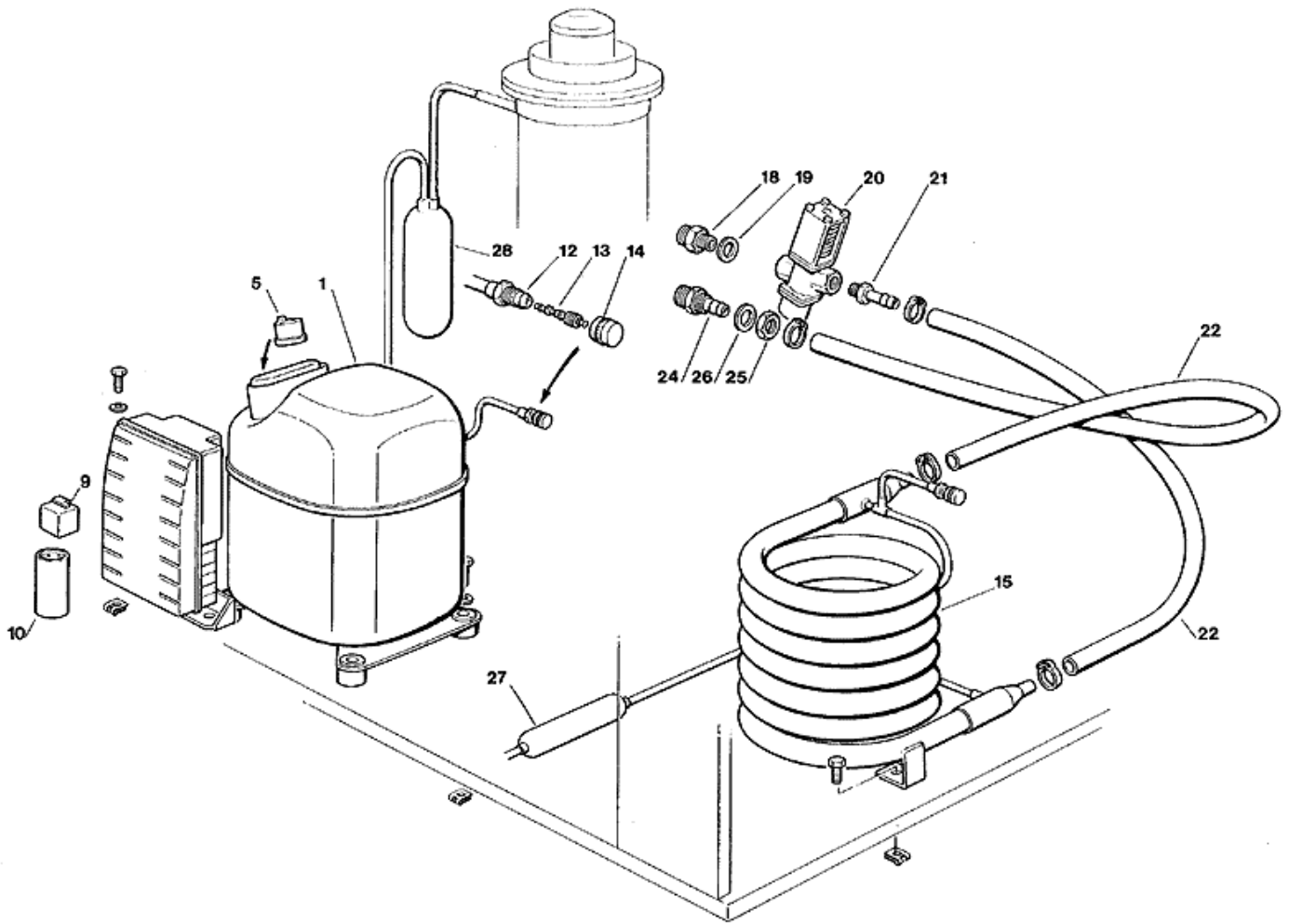
Pos	Code	Description
0001	SC670105 11	USE SC670105 23
0001	SC670105 15	COMP.NEK6210GK 208-230/60
0005	SCSEMB 2319095	PROTECTOR 230/50
0009	SCSEMB 2334105	RELAY
0010	SCCUB 102661	START CAPACITOR
0010	SCSEMB 2252346	CONDENSATORE 2252346
0012	SC650109 00	VALVE BODY
0013	SC670012 00	VALVE CORE
0014	SC650106 00	CAP
0015	SC620455 00	AIR COOLED CONDENSER
0019	SC620419 02	FAN MOTOR ATEX
0019	SC620419 03	FAN MOTOR ATEX
0020	SC620419 33	BLADE
0025	SC630003 03	FILTER
0026	SC784714 01R	SECTION LINE



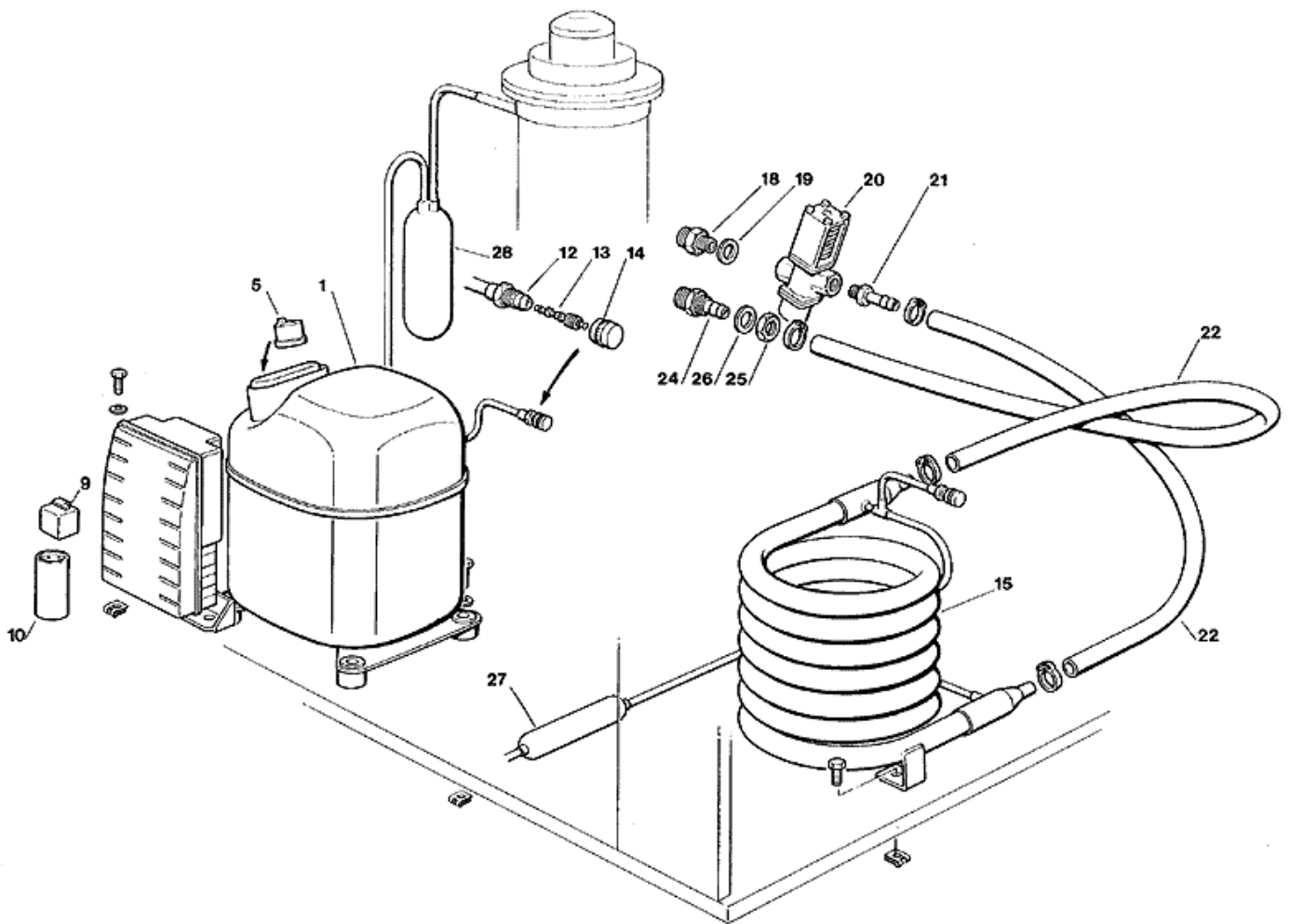


JK EDISON  
E 1007.2

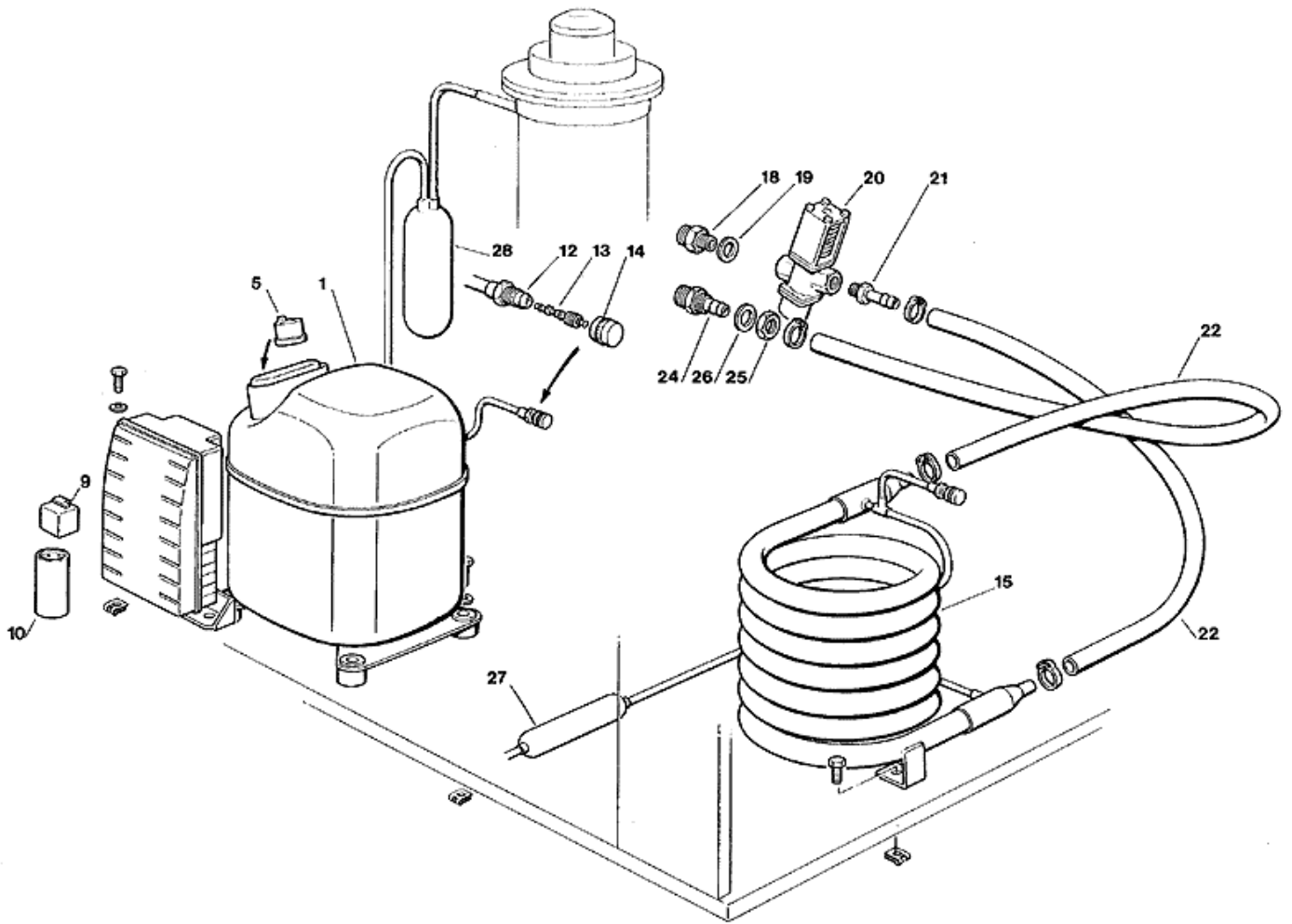
Pos	Code	Description
0001	SC670100 19	COMPRESSOR 230/50/1
0001	SC670105 15	COMP.NEK6210GK 208-230/60
0005	SCCUB 102201	PROTECTOR - 230/50/1
0009	SCCUB 405151	RELAY - 230/50/1
0010	SC620167 01	START.CAP. - 8640161
0010	SCCUB 102655	RUN CAPACITOR - 230/50/1
0010	SCEMB 2252346	CONDENSATORE 2252346
0012	SC650109 00	VALVE BODY
0013	SC670012 00	VALVE CORE
0014	SC650106 00	CAP
0015	SC620455 00	AIR COOLED CONDENSER
0019	SC620419 02	FAN MOTOR ATEX
0019	SC620419 03	FAN MOTOR ATEX
0020	SC620419 33	BLADE
0025	SC630003 03	FILTER



Pos	Code	Description
0001	SC670105 11	USE SC670105 23
0005	SCCUB 102197	PROTECTOR
0009	SCCUB 100477	RELAY
0010	SC620167 21	CAPACITOR - 8685302
0010	SCCUB 102661	START CAPACITOR
0012	SC650109 00	VALVE BODY
0013	SC670012 00	VALVE CORE
0014	SC650106 00	CAP
0015	SC620389 00	WATER COOLED CONDENSER
0018	SC733204 00	WATER INLET FITTING
0019	SC400031 01	WASHER
0020	SC620111 00	WATER REGUL. VALVE
0021	SC733173 02	OBSOLETE
0022	SC281900 05	TUBO PVC DN13 (13X19)90°
0024	SC733174 00	FITTING
0025	SC400076 00	NUT
0026	SC400031 00	WASHER
0027	SC630003 03	FILTER
0028	SC784714 01R	SECTION LINE

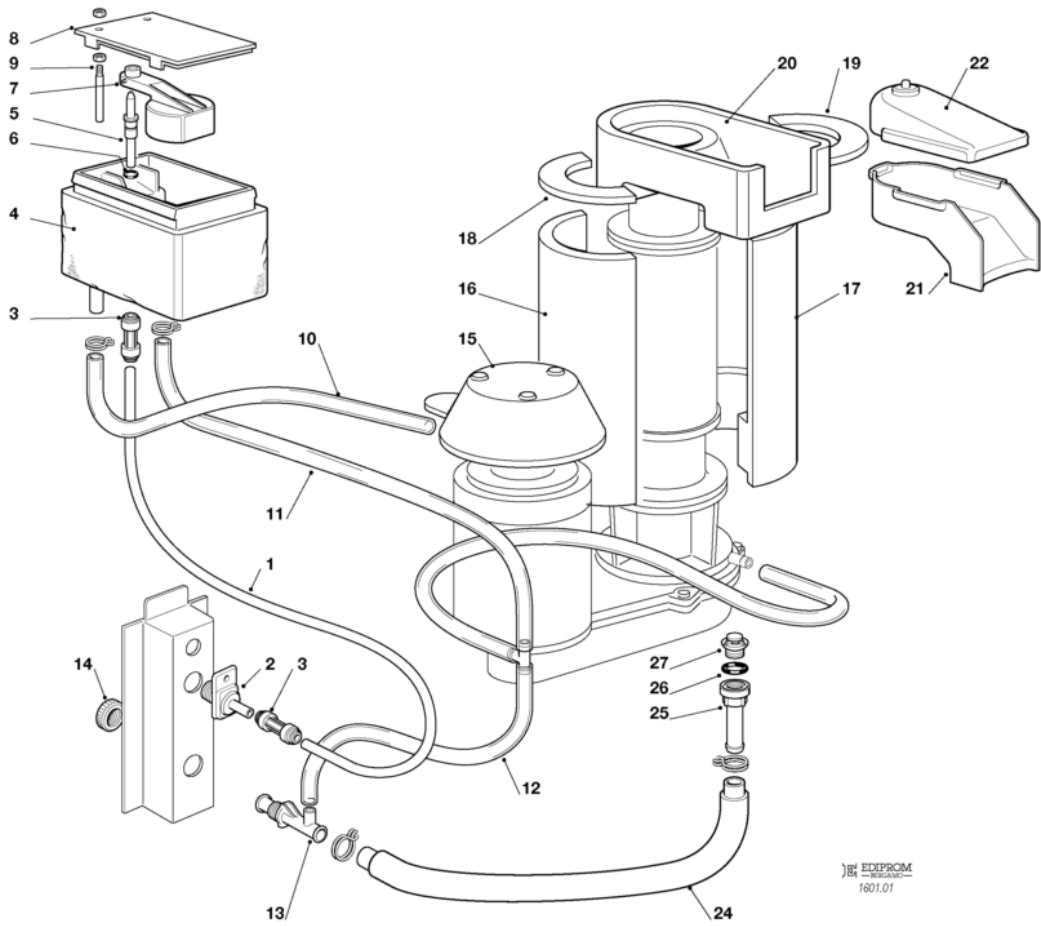


Pos	Code	Description
0001	SC670105 11	USE SC670105 23
0001	SC670105 15	COMP.NEK6210GK 208-230/60
0005	SCSEMB 2319095	PROTECTOR 230/50
0009	SCSEMB 2334105	RELAY
0010	SCCUB 102661	START CAPACITOR
0010	SCSEMB 2252346	CONDENSATORE 2252346
0012	SC650109 00	VALVE BODY
0013	SC670012 00	VALVE CORE
0014	SC650106 00	CAP
0015	SC620389 00	WATER COOLED CONDENSER
0018	SC733204 00	WATER INLET FITTING
0019	SC400031 01	WASHER
0020	SC620111 00	WATER REGUL. VALVE
0021	SC733173 02	OBSOLETE
0022	SC281900 05	TUBO PVC DN13 (13X19)90°
0024	SC733174 00	FITTING
0025	SC400076 00	NUT
0026	SC400031 00	WASHER
0027	SC630003 03	FILTER
0028	SC784714 01R	SECTION LINE



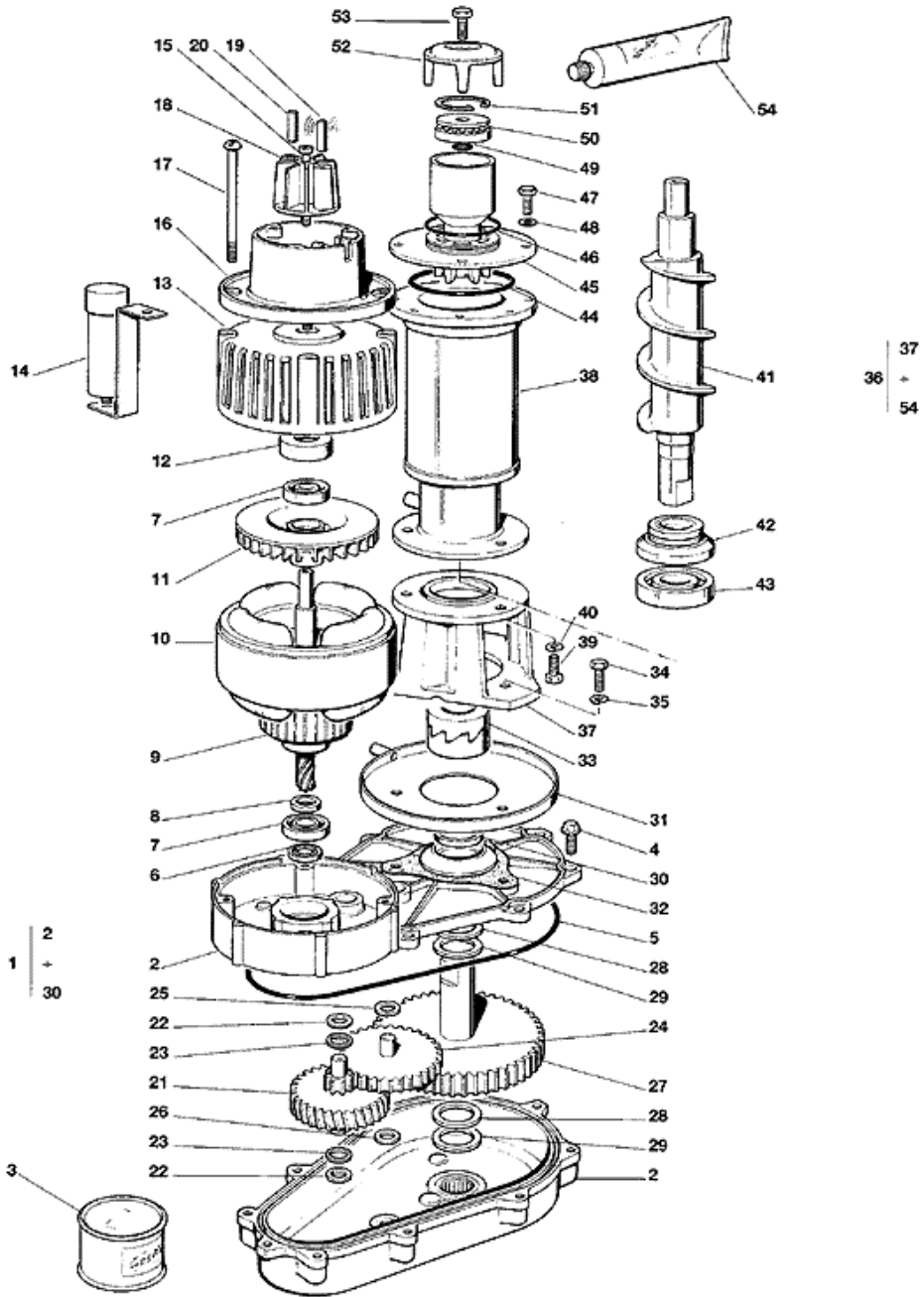
Pos	Code	Description
0001	SC670100 19	COMPRESSOR 230/50/1
0001	SC670105 15	COMP.NEK6210GK 208-230/60
0005	SCCUB 102201	PROTECTOR - 230/50/1
0009	SCCUB 405151	RELAY - 230/50/1
0010	SC620167 01	START.CAP. - 8640161
0010	SCCUB 102655	RUN CAPACITOR - 230/50/1
0010	SCEMB 2252346	CONDENSATORE 2252346
0012	SC650109 00	VALVE BODY
0013	SC670012 00	VALVE CORE
0014	SC650106 00	CAP
0015	SC620389 00	WATER COOLED CONDENSER
0018	SC733204 00	WATER INLET FITTING
0019	SC400031 01	WASHER
0020	SC620111 00	WATER REGUL. VALVE
0021	SC733173 02	OBSOLETE
0022	SC281900 05	TUBO PVC DN13 (13X19)90°
0024	SC733174 00	FITTING
0025	SC400076 00	NUT
0026	SC400031 00	WASHER
0027	SC630003 03	FILTER





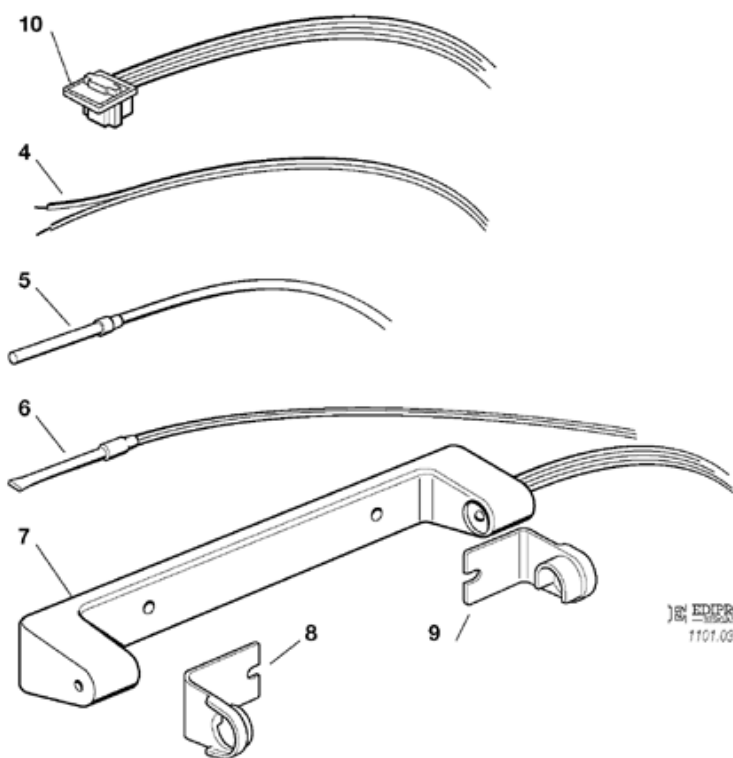
EDIPROM  
1801.01

Pos	Code	Description
0001	SC651206 02	1/4 OD NYLON TUBE
0002	SC660956 00	WATER IN PLASTIC FITTING
0003	SC651224 04	1/4 F-5/16F CONNECTOR
0004	SC660352 00	INSULATION
0004	SC660459 00	WATER RESERVOIR
0005	SC660957 00	PLASTIC NOZZLE
0006	SC640100 00	O RING OR 2025 (WRAS-FDA)
0007	SC660585 00	FLOAT VALVE
0008	SC660363 00	COVER
0009	SC724215 06	WATER LEVEL METAL PIN
0010	SC281822 00	PLASTIC HOSE - PER METER
0011	SC281832 00	TUBE
0012	SC281832 00	TUBE
0013	SC660224 00	TEE TUBE
0014	SC660535 00	PLASTIC NUT
0015	SC660670 01	ROTOR PROTECTION
0016	SC060551 04	KIT INSULATION, FREEZER
0017	SC060551 04	KIT INSULATION, FREEZER
0018	SC650723 01	INSULATION
0019	SC650723 01	INSULATION
0020	SC650827 00	ISOLAMENTO BOCCA USC.GHI.
0021	SC660695 00	ICE SPOUT
0022	SC660694 00	ICE SPOUT COVER
0024	SC610148 10	TUBE
0025	SC660213 01	FITTING
0026	SC640134 00	O RING
0027	SC660211 01	DRAIN FILTER

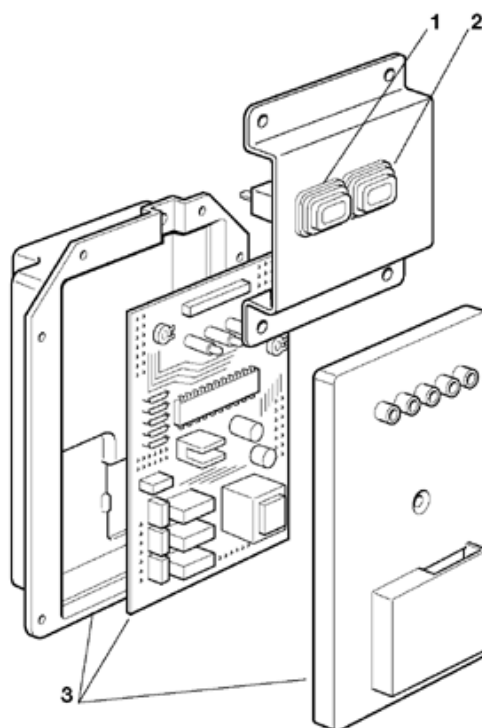


Pos	Code	Description
0001	SC794225 13R	GEAR REDUCER ASSY - 230/50-60
0002	SC001015 01	GEAR CASE KIT
0003	SC060294 04	GEAR REDUCER GREASE 0,5KG
0004	SC429852 00	SCREW
0005	SC640084 00	O RING
0006	SC640083 00	GREASE SEAL
0007	SC651056 00	BEARING
0008	SC441800 09	SPECIAL WASHER
0009	SC794123 03R	ROTOR ASSY
0010	SC620521 00	STATOR 230V
0010	SC620521 01	STATOR 115V
0011	SC764001 01	BLADE
0012	SC640095 00	RUBBER INSERT
0013	SC794226 01R	MOTOR HOUSING
0014	SC620520 00	CAPACITOR 12,5 MFD
0014	SC620520 03	CAPACITOR 4 MFD
0015	SC03001403 77	PANHEAD MACHINE SCREW
0016	SC650515 01	MOTOR COVER
0017	SC423872 02	SCREW
0018	SC784476 01	MGT BRACKET ASSY
0019	SC784476 01	MGT BRACKET ASSY
0020	SC784476 01	MGT BRACKET ASSY
0021	SC651160 00	GEAR
0022	SC441800 06	WASHER
0023	SC441800 05	WASHER
0024	SC651161 00	GEAR AND PINION
0025	SC441800 08	WASHER
0026	SC441800 07	WASHER
0027	SC651162 01	3RD GEAR & PINION
0028	SC441808 00	WASHER
0029	SC441808 00	WASHER
0030	SC640019 01	GASKET SMIM 2232/5.5
0031	SC660756 00	WATER DRIP TRAY
0032	SC640041 36	O RING OR 6200 (WRAS-FDA)
0033	SC060359 00	KIT COUPLING AF
0034	SC03001405 38	SCREW
0034	SC420019 00	SCREW
0036	SC794300 00R	FREEZER ASSY
0037	SC764010 00	FREEZER BRACKET
0038	SC784541 05	ASSY EV.TORN.AFC134/TC180
0039	SC03001405 38	SCREW
0039	SC420019 00	SCREW
0041	SC640041 40	O RING OR 3068 (WRAS-FDA)
0041	SC650727 00	AUGER
0042	SC640040 00	WATER SEAL
0043	SC670011 01	BEARING
0044	SC640041 28	O RING OR 168 (WRAS-FDA)
0045	SC060661 00	ICE BREAKER KIT
0046	SC640041 27	O RING OR 2237 (WRAS-FDA)
0047	SC420019 00	SCREW

Pos	Code	Description
0049	SC640041 25	O RING OR 3087 (WRAS-FDA)
0050	SC060661 00	ICE BREAKER KIT
0051	SC650297 00	SNAP RING
0052	SC650725 01	ICE SWEEP - SOFT PLASTIC
0052	SC660980 00	PLASTIC RING
0053	SC420030 00	SCREW
0054	SC263612 00	GREASE FOODLUBE UNIVERSAL 2,0 & 000



EDIPROM  
1101.02



Pos	Code	Description
0001	SC620487 01	SWITCH
0002	SC620487 00	GREEN SWITCH
0003	SC620462 23	PC BOARD 230V
0003	SC630015 15	FUSE T6,3A - 250V
0004	SC620519 02	WATER SENSOR HARNESS-NTC
0005	SC620519 01	EVAPORATOR SENSOR NTC
0006	SC620519 04	CONDENSER SENSOR NTC
0007	SC650674 02	ICE LEVEL CTRL-3 MTRS
0008	SC660720 00	PLASTIC PROTECTION LEFT
0009	SC660720 01	PLASTIC PROTECTION RIGHT
0010	SC620404 03	HALL SENSOR