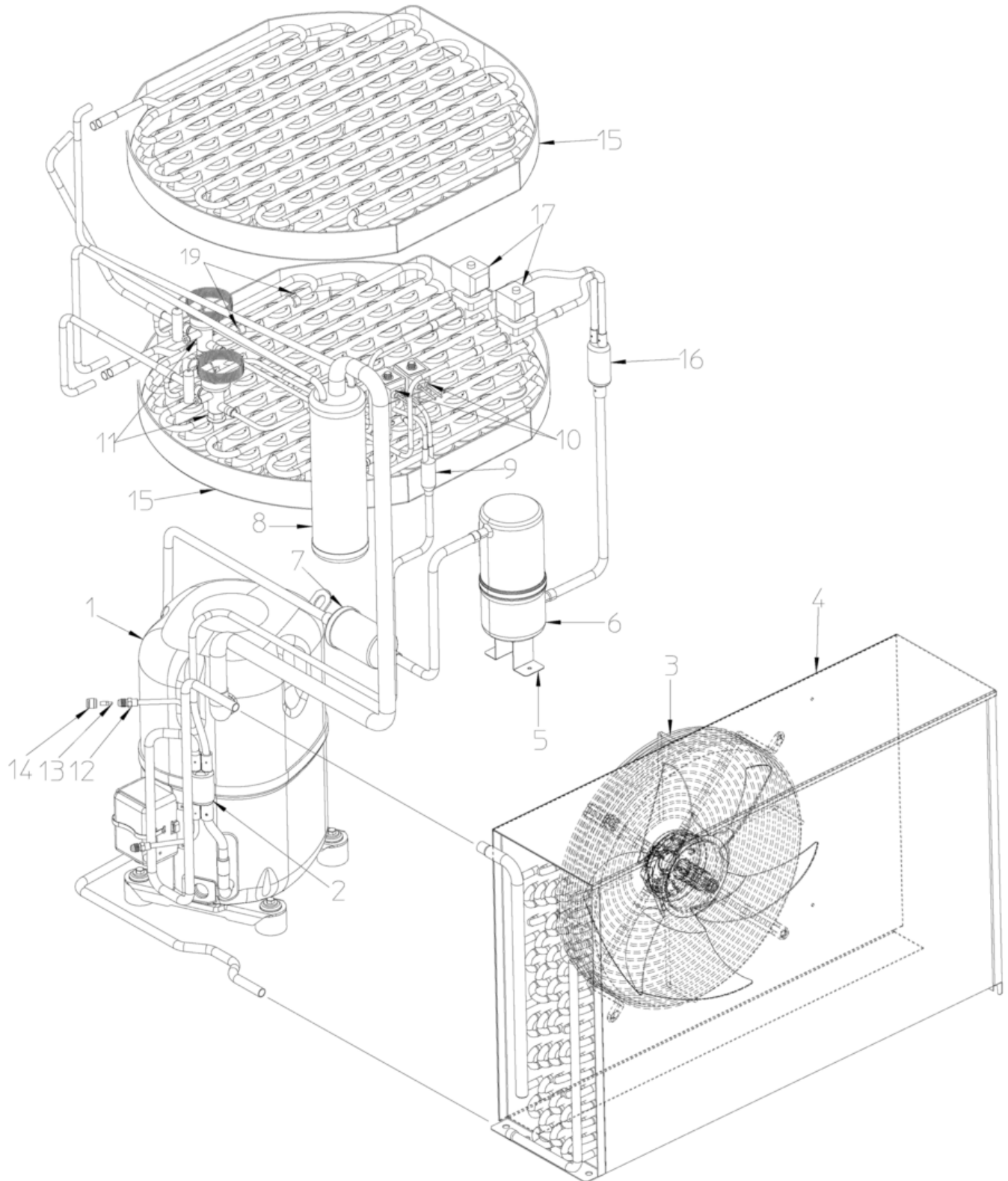
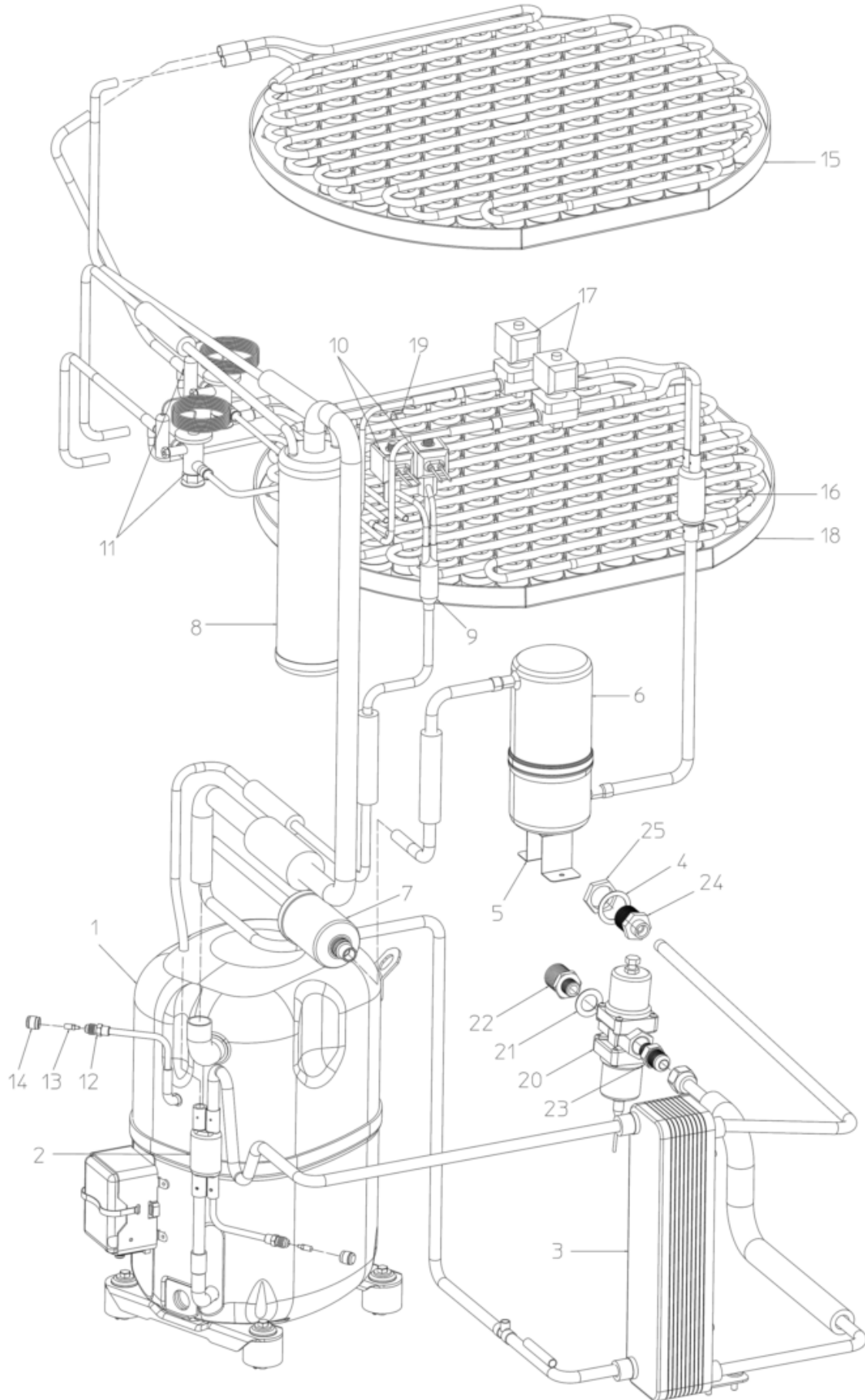


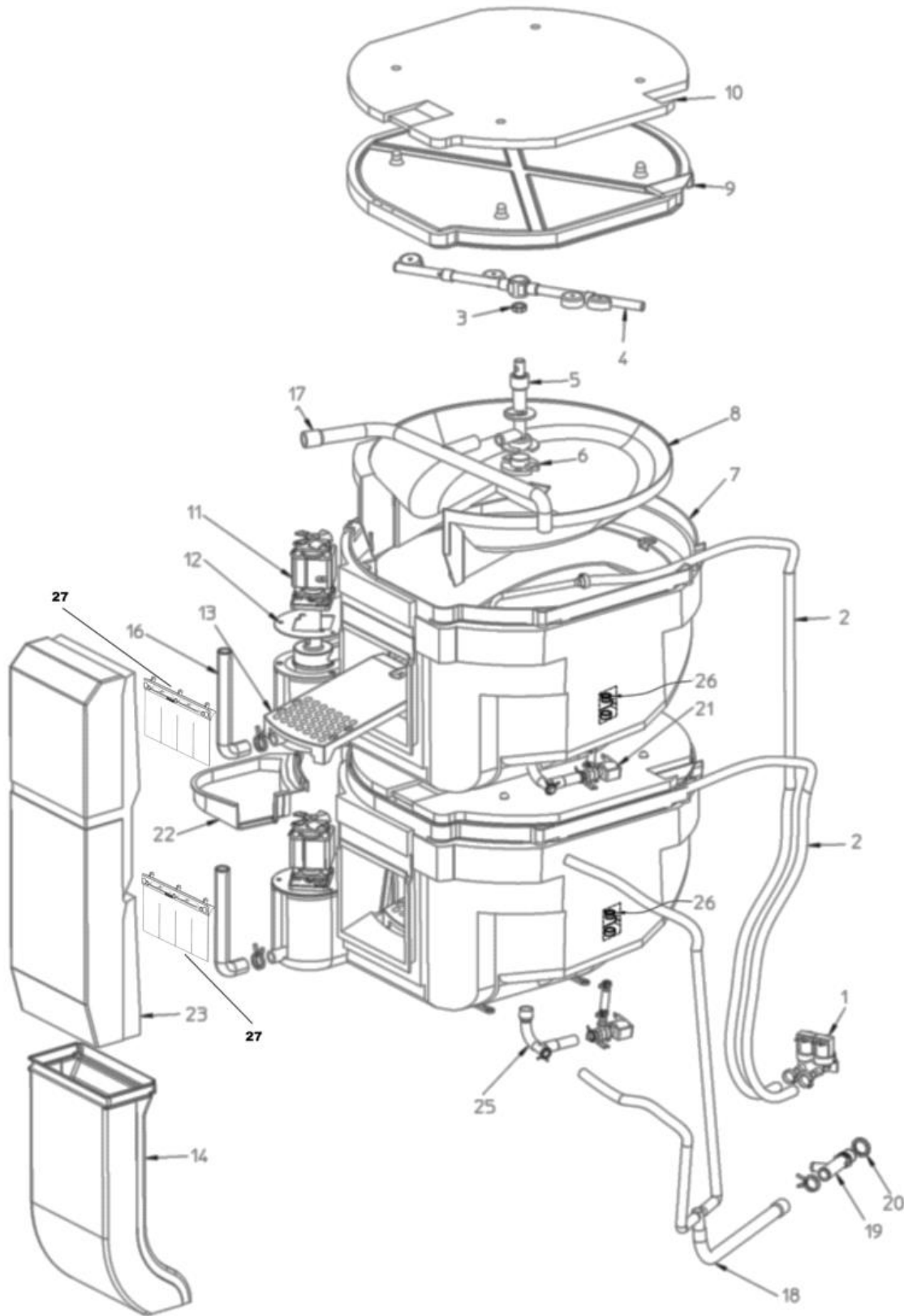
| Pos  | Code         | Description               |
|------|--------------|---------------------------|
| 0001 | SC722851 00  | PANNELLO LATER.SX MXG-938 |
| 0002 | SC722852 00  | PANNEL.LATER.DXA MXG938   |
| 0002 | SC722852 01  | PANNEL.LATER.DXW MXG938   |
| 0004 | SC722853 00  | PANNELLO POST.INF.MXG-938 |
| 0005 | SC722845 00  | REAR UPPER PANEL          |
| 0006 | SC722847 00  | TOP PANEL                 |
| 0007 | SC704355 00  | SUPPORTO EVAPORAT.MXG-938 |
| 0008 | SC702804 00  | PANNELLO DI CHIUS.MXG-938 |
| 0009 | SC724549 00  | SUPP.SCAT.SCH.ELET.MXG638 |
| 0010 | SC705275 00  | SUPPORTO TELERUTT.MXG-638 |
| 0011 | SC722850 00  | FRONT PANEL               |
| 0012 | SC651513 04  | LABEL MXG-938             |
| 0013 | SC620487 00  | GREEN SWITCH              |
| 0013 | SC661121 00  | PLASTIC PROTECTION        |
| 0014 | SC661142 01  | TOP PLASTIC TRIM          |
| 0015 | SC661150 01  | MASCH.X FILTR.COND.MXG938 |
| 0016 | SC793242 01R | AIR FILTER                |
| 0017 | SC702803 00  | SEPAR.CONDENS/CONV.MXG938 |



| Pos  | Code          | Description                            |
|------|---------------|--|
| 0001 | SC630144 00   | CRANCKASE HEATER - 8583035             |
| 0001 | SC670099 21   | COMPR.TAG4561Z 400/50/3 (2856030105-M) |
| 0002 | SC630137 00   | FILTER                                 |
| 0003 | SC620570 00   | FAN MOTOR ASSY                         |
| 0004 | SC620569 00   | AIR CONDENSER                          |
| 0005 | SC724423 00   | SUPPORTO TIMER/RICEV.LIQ.              |
| 0006 | SCCM 19635339 | LIQUID RECEIVER                        |
| 0007 | SC670049 00   | DRIER                                  |
| 0008 | SC650379 04   | SUCTION LINE                           |
| 0009 | SC630020 02   | MECHANICAL FILTER                      |
| 0010 | SC620306 46   | HOT GAS VALVE BODY                     |
| 0010 | SC620306 48   | HOT GAS VALVE COIL                     |
| 0011 | SC620492 00   | TXV                                    |
| 0011 | SC620492 03   | TXV NOZZLE                             |
| 0012 | SC650109 00   | VALVE BODY                             |
| 0013 | SC670012 00   | VALVE CORE                             |
| 0014 | SC650106 00   | CAP                                    |
| 0015 | SC784434 05   | EVAPORATOR ASSY - LARGE                |
| 0015 | SC784435 05   | EVAPORATOR ASSY-MEDIUM                 |
| 0015 | SC784436 01   | EVAPORATOR ASSY                        |
| 0016 | SC630137 06   | FILTRO 3 VIE                           |
| 0017 | SC620306 07   | HOT GAS VALVE BODY                     |
| 0017 | SC620306 48   | HOT GAS VALVE COIL                     |

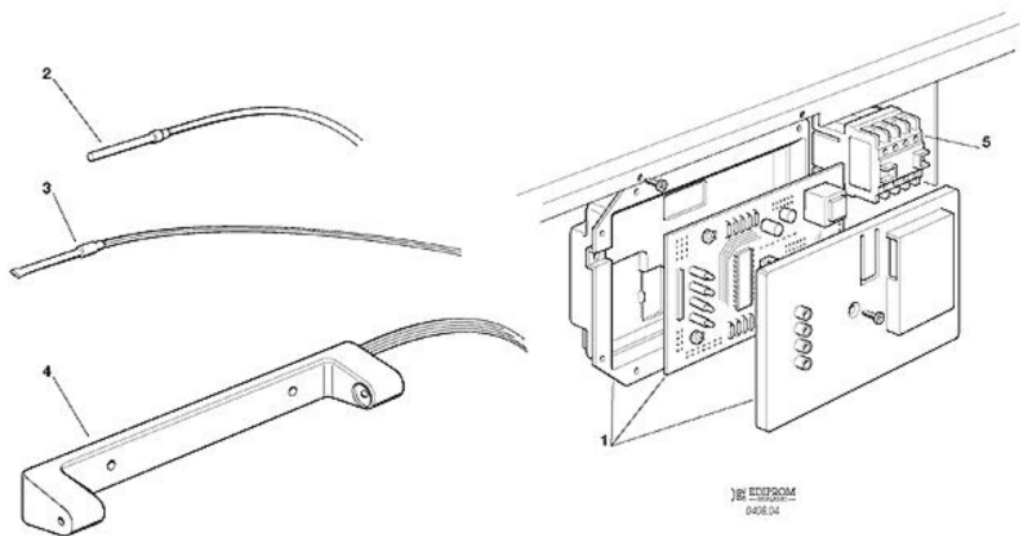


| Pos  | Code          | Description                            |
|------|---------------|--|
| 0001 | SC630144 00   | CRANCKASE HEATER - 8583035             |
| 0001 | SC670099 21   | COMPR.TAG4561Z 400/50/3 (2856030105-M) |
| 0002 | SC630137 00   | FILTER                                 |
| 0003 | SC620592 00   | WATER COOLED CONDENSER                 |
| 0004 | SC400052 00   | WASHER                                 |
| 0005 | SC724423 00   | SUPPORTO TIMER/RICEV.LIQ.              |
| 0006 | SCCM 19635339 | LIQUID RECEIVER                        |
| 0007 | SC670049 00   | DRIER                                  |
| 0008 | SC650379 04   | SUCTION LINE                           |
| 0009 | SC630020 02   | MECHANICAL FILTER                      |
| 0010 | SC620306 46   | HOT GAS VALVE BODY                     |
| 0010 | SC620306 48   | HOT GAS VALVE COIL                     |
| 0011 | SC620492 00   | TXV                                    |
| 0011 | SC620492 03   | TXV NOZZLE                             |
| 0012 | SC650109 00   | VALVE BODY                             |
| 0013 | SC670012 00   | VALVE CORE                             |
| 0014 | SC650106 00   | CAP                                    |
| 0015 | SC784434 05   | EVAPORATOR ASSY - LARGE                |
| 0015 | SC784435 05   | EVAPORATOR ASSY-MEDIUM                 |
| 0015 | SC784436 01   | EVAPORATOR ASSY                        |
| 0016 | SC630137 06   | FILTRO 3 VIE                           |
| 0017 | SC620306 07   | HOT GAS VALVE BODY                     |
| 0017 | SC620306 48   | HOT GAS VALVE COIL                     |
| 0018 | SC784434 05   | EVAPORATOR ASSY - LARGE                |
| 0018 | SC784435 05   | EVAPORATOR ASSY-MEDIUM                 |
| 0018 | SC784436 01   | EVAPORATOR ASSY                        |
| 0020 | SC620111 00   | WATER REGUL. VALVE                     |
| 0021 | SC400031 01   | WASHER                                 |
| 0022 | SC733204 00   | WATER INLET FITTING                    |
| 0023 | SC733208 02   | COUPLING                               |
| 0024 | SC733205 04   | WATER INLET FITTING                    |
| 0025 | SC400053 00   | NUT                                    |



| Pos  | Code         | Description                   |
|------|--------------|-------------------------------|
| 0001 | SC650105 53  | WATER SOL. VALVE              |
| 0002 | SC281900 01  | TUBE 16X10                    |
| 0003 | SC440013 08  | TRUST WASHER                  |
| 0004 | SC793127 03  | SPRAY BAR                     |
| 0005 | SC660475 00  | WATER JET BEARING             |
| 0006 | SC660483 00  | PLASTIC FLANGE                |
| 0007 | SC784344 00R | EVAPORATOR ASSY               |
| 0008 | SC660487 01  | INNER BOTTOM                  |
| 0009 | SC660491 00  | EVAPORATOR COVER              |
| 0010 | SC650538 00  | INSULATION                    |
| 0011 | SC620430 09R | WATER PUMP 230V/50HZ/1PH ATEX |
| 0012 | SC723132 05  | PUMP BRACKET                  |
| 0013 | SC660488 01  | MOBILE INNER BOTTOM           |
| 0014 | SC661135 01  | LOWER ICE CHUTE               |
| 0016 | SC610148 10  | TUBE                          |
| 0017 | SC610188 00  | TUBE                          |
| 0018 | SC610239 00  | TUBO PVC SCARICO INF. MXG-938 |
| 0019 | SC660993 00  | FITTING                       |
| 0020 | SC660535 00  | PLASTIC NUT                   |
| 0021 | SC620460 00  | WATER DRAIN VALVE             |
| 0022 | SC660538 01  | WATER DRIP SHIELD             |
| 0023 | SC660477 05  | USE SC660477 06               |
| 0025 | SC610240 00  | TUBO PVC SCARICO SUP. MXG-938 |
| 0026 | SC651738 00  | FILTER                        |
| 0027 | SC661237 00  | MEMBRANE CURTAIN              |





| Pos  | Code        | Description                    |
|------|-------------|--------------------------------|
| 0001 | SC620462 24 | PC BOARD 230V INNOTECH ATEX    |
| 0002 | SC620519 01 | EVAPORATOR SENSOR NTC          |
| 0003 | SC620519 04 | CONDENSER SENSOR NTC           |
| 0004 | SC060840 00 | KIT OPTICAL READER SUPPORT MXG |
| 0004 | SC650674 07 | OPTICAL ICE LEVEL CTRL         |
| 0005 | SC620513 01 | THERMAL RELAY                  |
| 0005 | SC620581 00 | RELAY                          |
| 0005 | SC630148 00 | CONTACTOR                      |