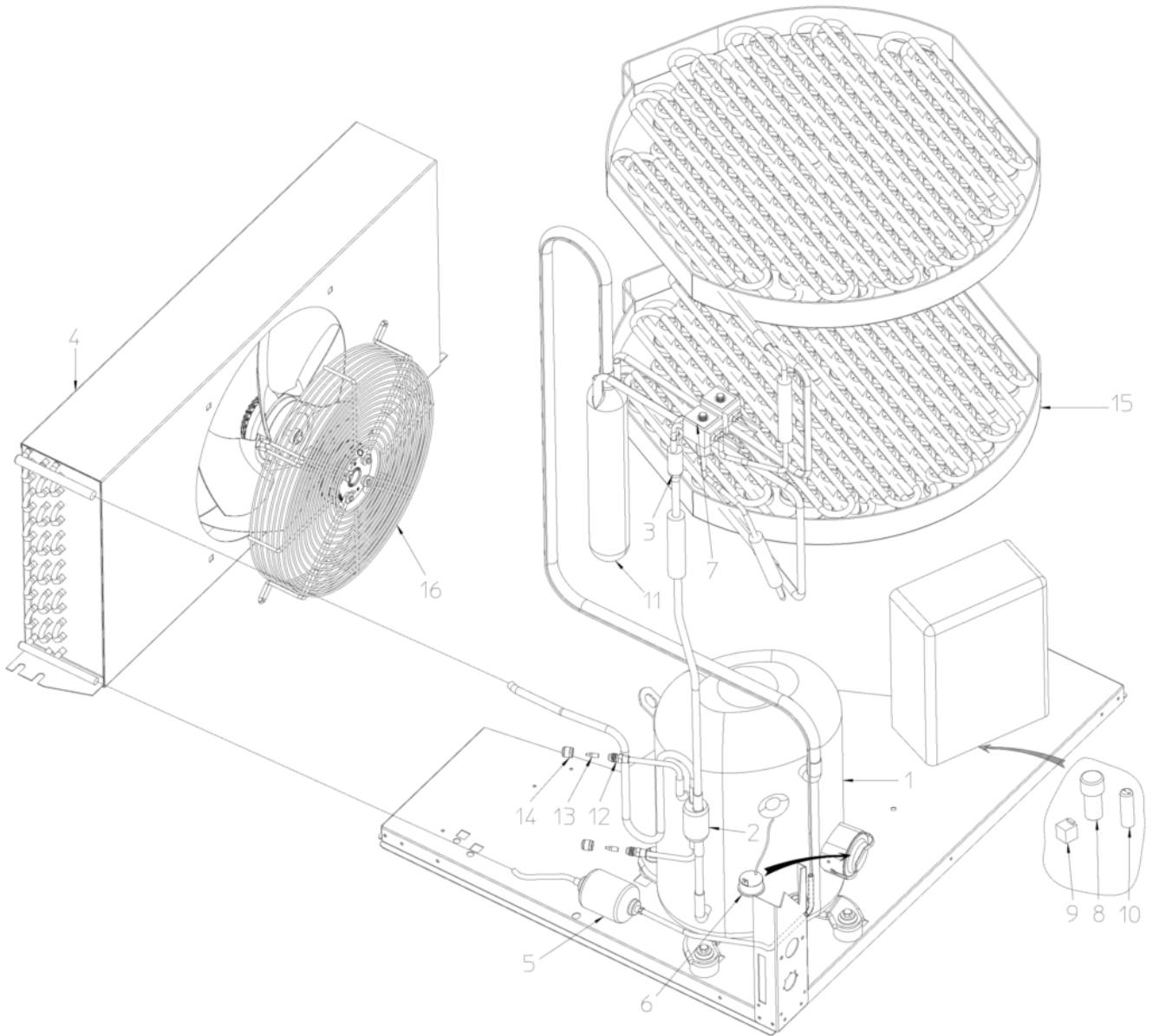
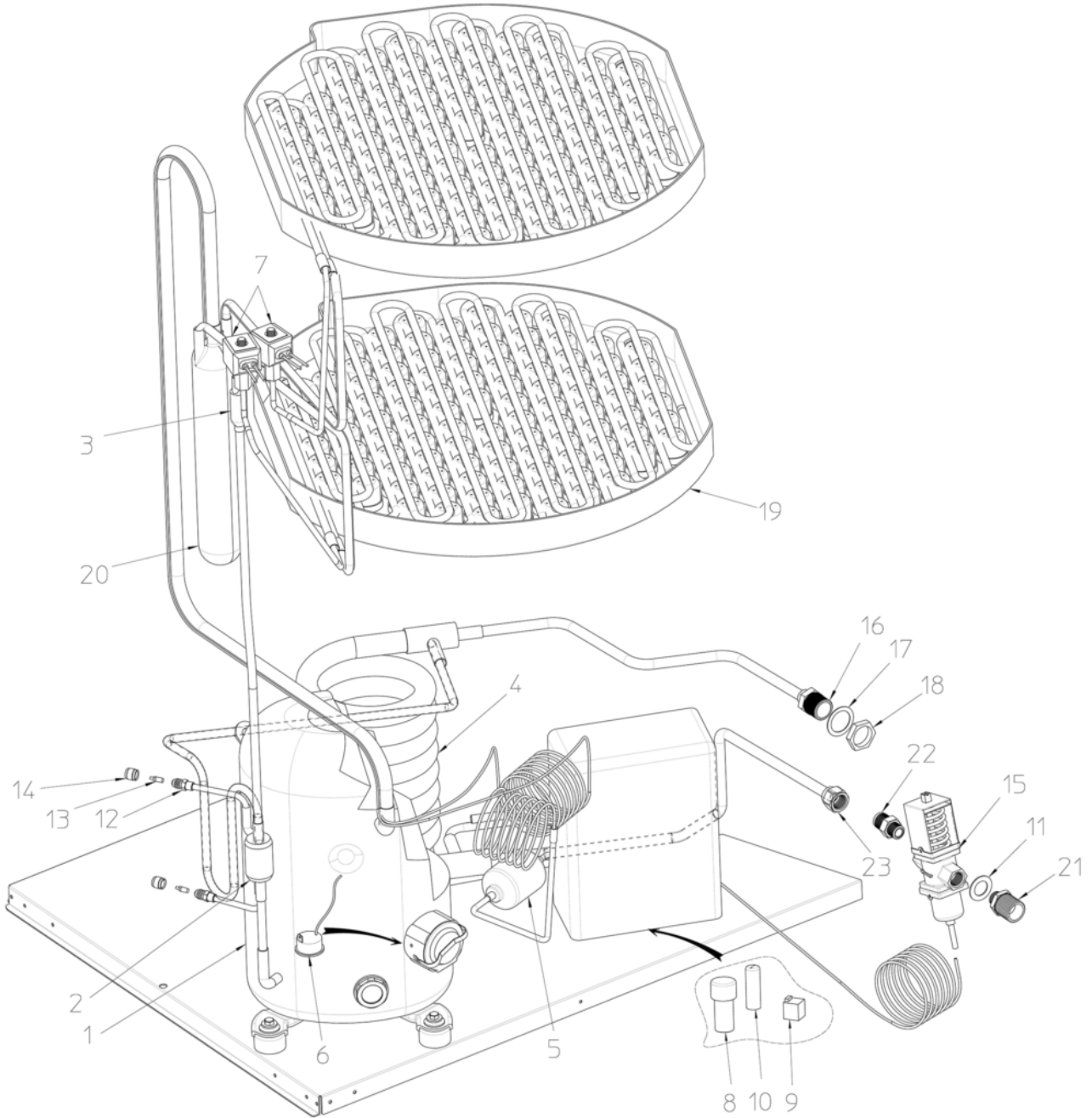


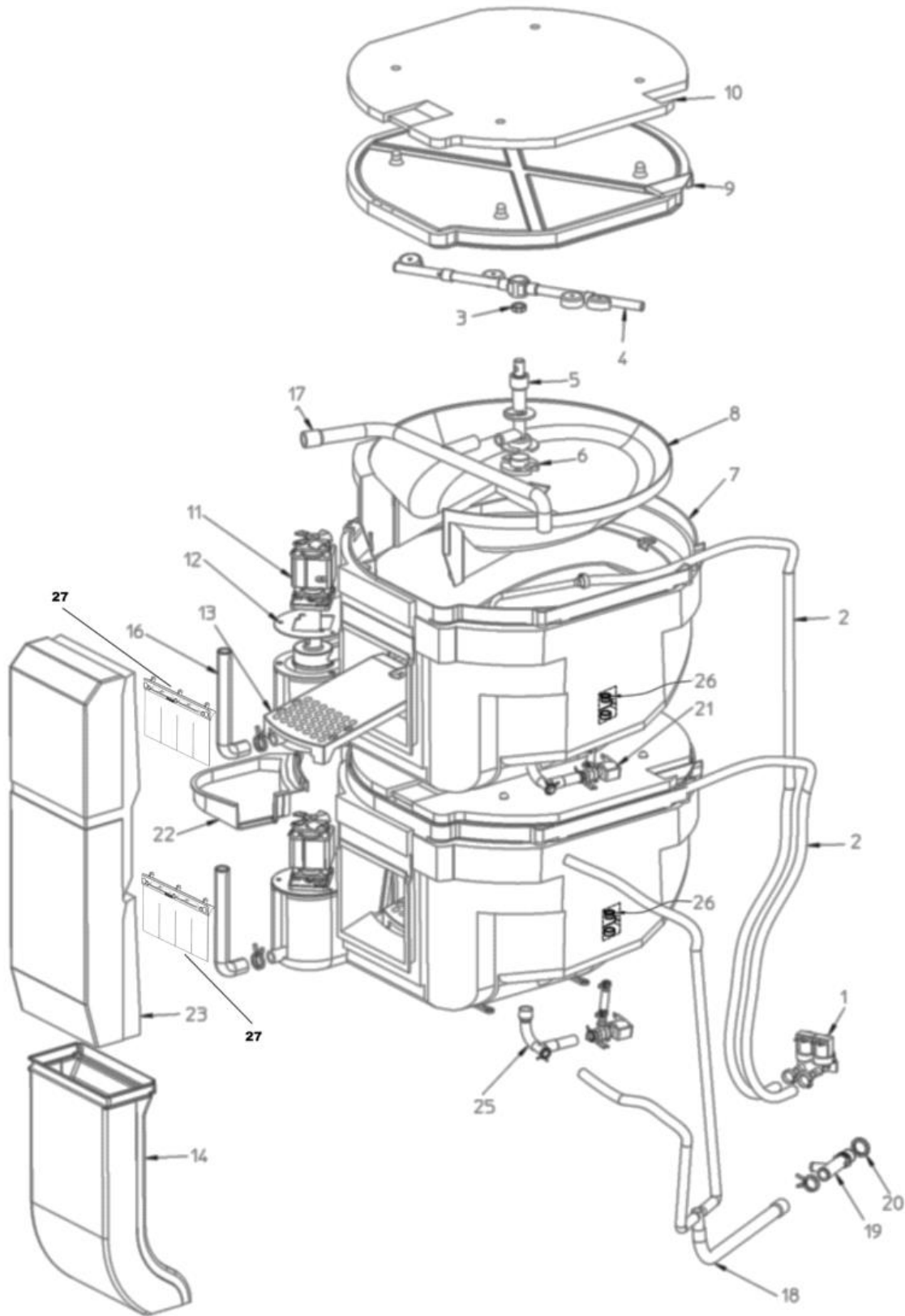
Pos	Code	Description
0001	SC722843 00	LEFT SIDE PANEL
0002	SC722844 00	RIGHT SIDE PANEL
0004	SC722846 00	REAR LOWER PANEL
0005	SC722845 00	REAR UPPER PANEL
0006	SC722847 00	TOP PANEL
0007	SC704346 00	SUPPORTO EVAPORAT.MXG-638
0008	SC705273 00	COPERCHIO COMPRESS.MXG638
0009	SC724549 00	SUPP.SCAT.SCH.ELET.MXG638
0010	SC705275 00	SUPPORTO TELERUTT.MXG-638
0011	SC722842 00	FRONT PANEL MXG 638
0012	SC620487 00	GREEN SWITCH
0012	SC661121 00	PLASTIC PROTECTION
0013	SC651513 03	LABEL MXG-638
0014	SC661142 01	TOP PLASTIC TRIM
0015	SC793242 00R	AIR FILTER
0016	SC661150 00	MASCH.XFILTRO COND.MXG638



Pos	Code	Description
0001	SC670098 01	COMP.FH4531Z 220-240/50/1 (WX2505430123)
0001	SC670115 00	COMPR. FH4532Z-XG1A 400/50-60/3
0002	SC630137 02	MECHANICAL FILTER - HUB
0003	SC630020 02	MECHANICAL FILTER
0004	SC620567 00	AIR CONDENSER
0005	SC670006 01	FILTER
0007	SC620306 46	HOT GAS VALVE BODY
0007	SC620306 48	HOT GAS VALVE COIL
0008	SC620167 48	START CAPACITOR 330V
0009	SC620057 43	RELAY - 8565103
0010	SC620167 54	RUN CAPACITOR 450V
0011	SC784822 01R	SUCTION LINE ASSY
0012	SC650109 00	VALVE BODY
0013	SC670012 00	VALVE CORE
0014	SC650106 00	CAP
0015	SC784434 05	EVAPORATOR ASSY - LARGE
0015	SC784435 05	EVAPORATOR ASSY-MEDIUM
0015	SC784436 01	EVAPORATOR ASSY
0016	SC620568 00	FAN MOTOR ASSY

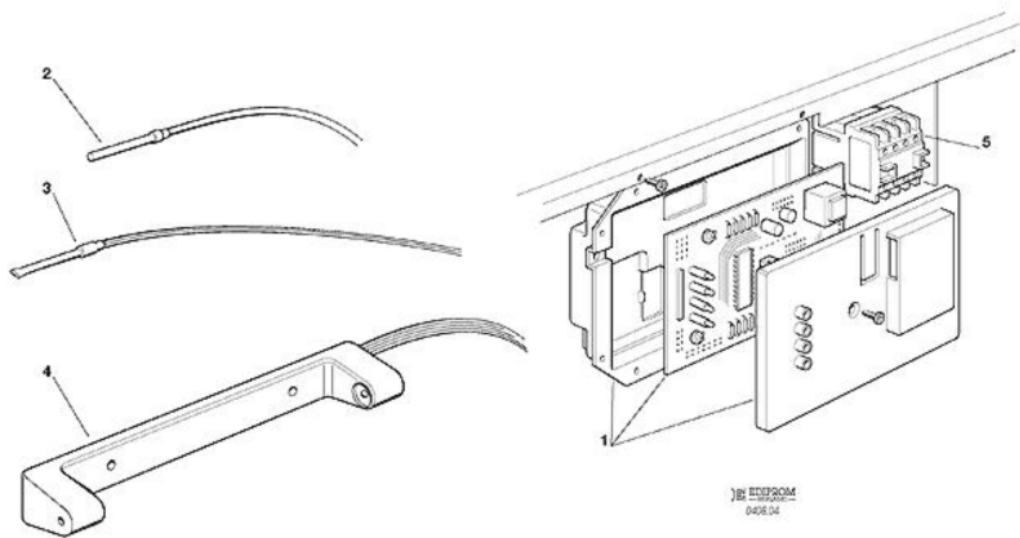


Pos	Code	Description
0001	SC670098 01	COMP.FH4531Z 220-240/50/1 (WX2505430123)
0001	SC670115 00	COMPR. FH4532Z-XG1A 400/50-60/3
0002	SC630137 02	MECHANICAL FILTER - HUB
0003	SC630020 02	MECHANICAL FILTER
0004	SC620495 01	CONDENSER, WATER
0005	SC670006 01	FILTER
0007	SC620306 46	HOT GAS VALVE BODY
0007	SC620306 48	HOT GAS VALVE COIL
0008	SC620167 48	START CAPACITOR 330V
0009	SC620057 43	RELAY - 8565103
0010	SC620167 54	RUN CAPACITOR 450V
0011	SC400031 01	WASHER
0012	SC650109 00	VALVE BODY
0013	SC670012 00	VALVE CORE
0014	SC650106 00	CAP
0015	SC620111 00	WATER REGUL. VALVE
0016	SC733205 04	WATER INLET FITTING
0017	SC400052 00	WASHER
0018	SC400053 00	NUT
0019	SC784434 05	EVAPORATOR ASSY - LARGE
0019	SC784435 05	EVAPORATOR ASSY-MEDIUM
0019	SC784436 01	EVAPORATOR ASSY
0020	SC784822 01R	SUCTION LINE ASSY
0021	SC733204 00	WATER INLET FITTING
0022	SC733208 02	COUPLING
0023	SC400085 02	FITTING 1/2



Pos	Code	Description
0001	SC650105 53	WATER SOL. VALVE
0002	SC281900 01	TUBE 16X10
0003	SC440013 08	TRUST WASHER
0004	SC793127 03	SPRAY BAR
0005	SC660475 00	WATER JET BEARING
0006	SC660483 00	PLASTIC FLANGE
0007	SC784344 00R	EVAPORATOR ASSY
0008	SC660487 01	INNER BOTTOM
0009	SC660491 00	EVAPORATOR COVER
0010	SC650538 00	INSULATION
0011	SC620430 09R	WATER PUMP 230V/50HZ/1PH ATEX
0012	SC723132 05	PUMP BRACKET
0013	SC660488 01	MOBILE INNER BOTTOM
0014	SC661135 02	CONVOGLIATOR.GHIAC.MXG638
0016	SC610148 10	TUBE
0017	SC610188 00	TUBE
0018	SC281830 12	TUBE D.17X13
0018	SC610184 00	RACCORDO Y PVC 6.29.14
0018	SC610252 00	TUBO SCAR.X RACC.T MXG638
0018	SC610252 01	TUBO SCAR.ELETTROV.KWD
0019	SC660224 02	WATER DRAIN FITTING - ONE INLET
0020	SC660535 00	PLASTIC NUT
0021	SC620460 00	WATER DRAIN VALVE
0022	SC660538 01	WATER DRIP SHIELD
0023	SC660477 06	ICE CHUTE MXG-638/-938
0025	SC610238 00	TUBO PVC ELETTROVALV.SCAR
0026	SC651738 00	FILTER
0027	SC661237 00	MEMBRANE CURTAIN





Pos	Code	Description
0001	SC620462 24	PC BOARD 230V INNOTECH ATEX
0002	SC620519 01	EVAPORATOR SENSOR NTC
0003	SC620519 04	CONDENSER SENSOR NTC
0004	SC650674 07	OPTICAL ICE LEVEL CTRL
0005	SC630148 00	CONTACTOR