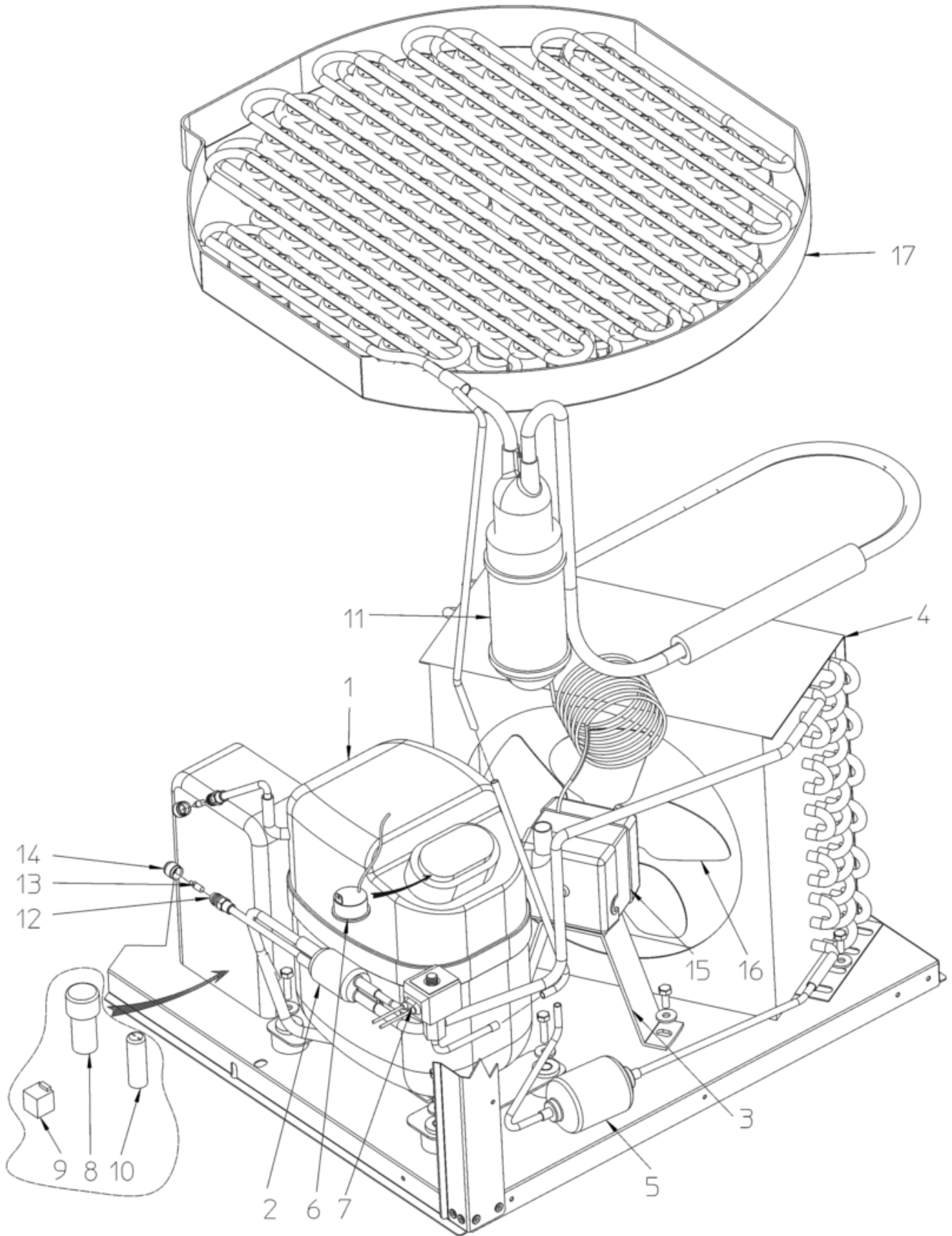
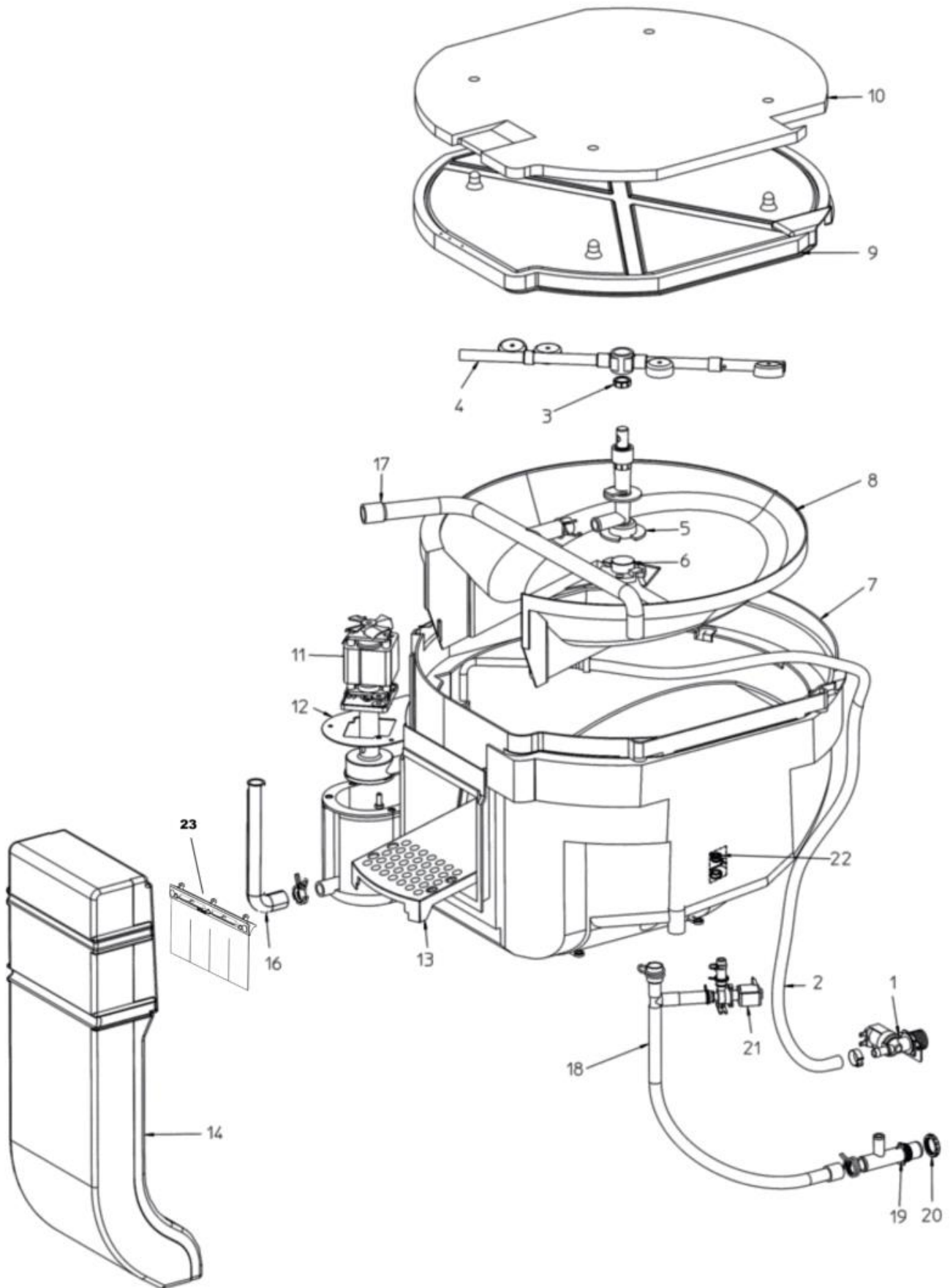


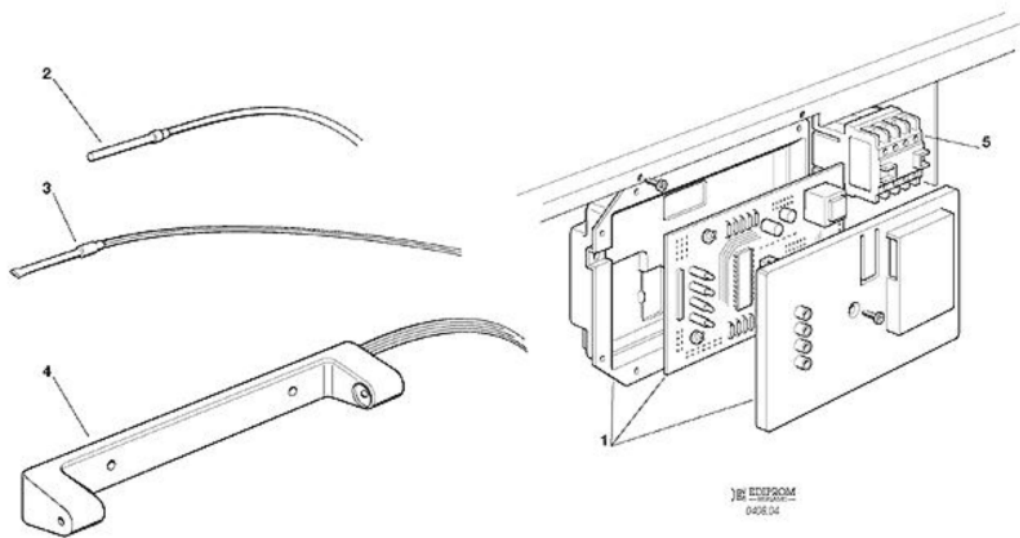
| Pos | Code | Description |
|------|-------------|-----------------------------------------|
| 0002 | SC722835 02 | FRONT PANEL A MXG-437 |
| 0003 | SC722833 00 | UPPER REAR PANEL |
| 0004 | SC722815 00 | PANNELLO LATER.SX MXG-328 |
| 0005 | SC722814 00 | RIGHT PANEL |
| 0006 | SC722847 00 | TOP PANEL |
| 0007 | SC722837 00 | LOWER REAR PANEL |
| 0008 | SC705277 00 | SEPAR.FILTRO/COND.MXG-438 |
| 0010 | SC724545 00 | SUPPORTO SCATOLA SCHEDA ELETTR. MXG-328 |
| 0011 | SC661142 01 | TOP PLASTIC TRIM |
| 0012 | SC702802 00 | EVAPORATOR SUPPORT MXG-438 |
| 0013 | SC651670 02 | LABEL MXG-437 |
| 0015 | SC661144 00 | AIR FILTER |
| 0016 | SC661143 00 | FILTER TRIM |



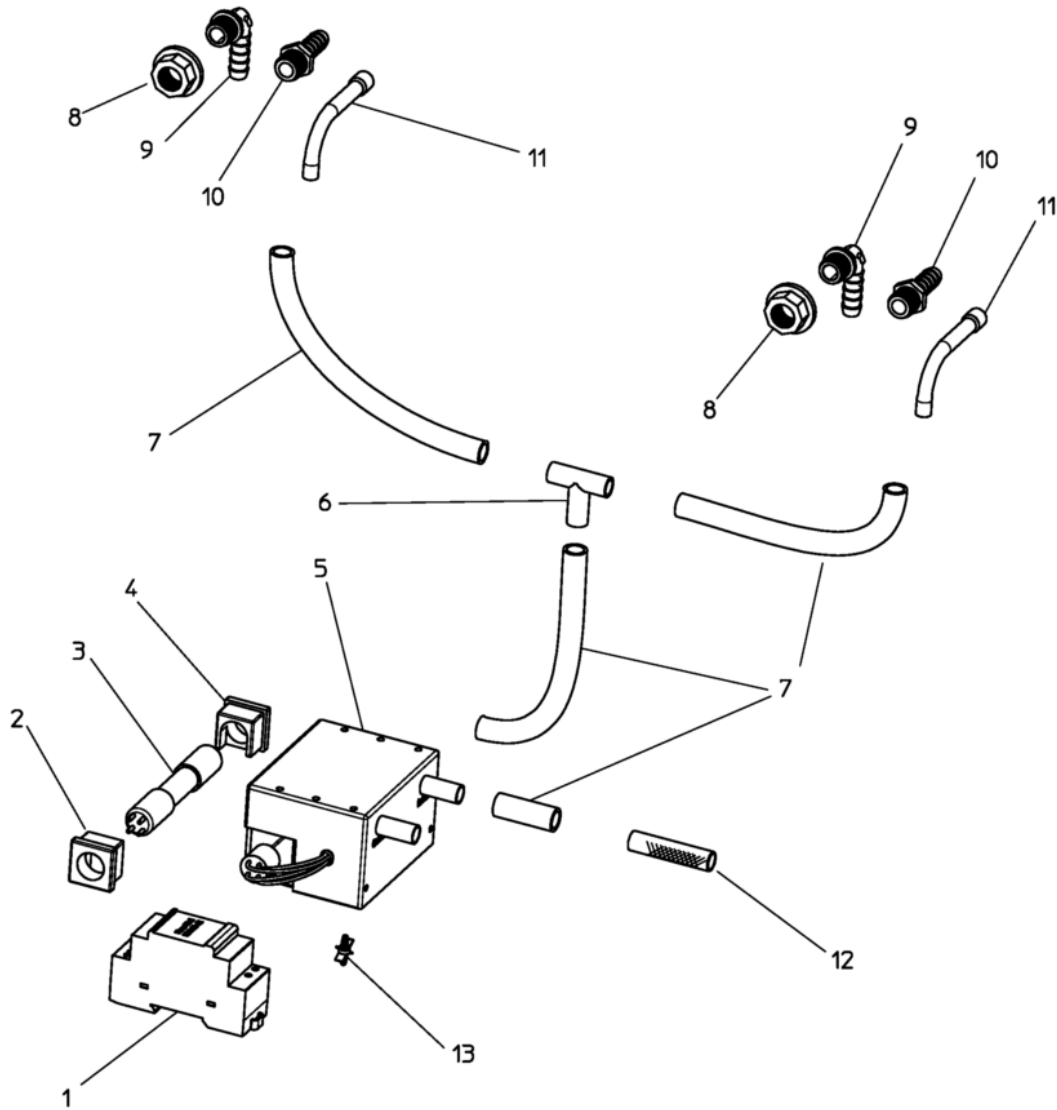
| Pos | Code | Description |
|------|-------------|----------------------------------|
| 0001 | SC670108 03 | COMPRESSOR NT 6230U 220-240/50/1 |
| 0002 | SC630137 01 | MECHANICAL FILTER |
| 0003 | SC620419 65 | BRACKET |
| 0005 | SC630003 11 | FILTER |
| 0007 | SC620306 46 | HOT GAS VALVE BODY |
| 0007 | SC620306 48 | HOT GAS VALVE COIL |
| 0012 | SC650109 00 | VALVE BODY |
| 0013 | SC670012 00 | VALVE CORE |
| 0014 | SC650106 00 | CAP |
| 0015 | SC620419 04 | FAN MOTOR ATEX |
| 0016 | SC620419 34 | BLADE |
| 0016 | SC620419 35 | BLADE |
| 0017 | SC784434 05 | EVAPORATOR ASSY - LARGE |
| 0017 | SC784435 05 | EVAPORATOR ASSY-MEDIUM |
| 0017 | SC784436 01 | EVAPORATOR ASSY |



| Pos | Code | Description |
|------|--------------|---------------------------------|
| 0001 | SC650105 54 | WATER INLET VALVE |
| 0002 | SC281900 01 | TUBE 16X10 |
| 0003 | SC440013 08 | TRUST WASHER |
| 0004 | SC793127 03 | SPRAY BAR |
| 0005 | SC660475 00 | WATER JET BEARING |
| 0006 | SC660483 00 | PLASTIC FLANGE |
| 0007 | SC784344 00R | EVAPORATOR ASSY |
| 0008 | SC660487 01 | INNER BOTTOM |
| 0009 | SC660491 00 | EVAPORATOR COVER |
| 0010 | SC650538 00 | INSULATION |
| 0011 | SC620430 09 | USE SC620430 09R |
| 0012 | SC723132 05 | PUMP BRACKET |
| 0013 | SC660488 01 | MOBILE INNER BOTTOM |
| 0014 | SC661135 03 | ICE CHUTE MXG-328/-428/-438 |
| 0016 | SC610148 10 | TUBE |
| 0017 | SC610188 00 | TUBE |
| 0018 | SC610236 00 | TUBO PVC SCAR.ASS.MXG-328 |
| 0019 | SC660224 02 | WATER DRAIN FITTING - ONE INLET |
| 0020 | SC660535 00 | PLASTIC NUT |
| 0021 | SC620460 00 | WATER DRAIN VALVE |
| 0022 | SC651738 00 | FILTER |
| 0023 | SC661237 00 | MEMBRANE CURTAIN |



| Pos | Code | Description |
|------|-------------|--------------------------------|
| 0001 | SC620462 24 | PC BOARD 230V INNOTECH ATEX |
| 0002 | SC620519 01 | EVAPORATOR SENSOR NTC |
| 0003 | SC620519 04 | CONDENSER SENSOR NTC |
| 0004 | SC060840 00 | KIT OPTICAL READER SUPPORT MXG |
| 0004 | SC650674 07 | OPTICAL ICE LEVEL CTRL |



| Pos | Code | Description |
|------|-------------------|------------------------------|
| 0001 | SC620648 00 | POWER SUPPLY 12Vcc HDR-30-12 |
| 0002 | SCR450-06603-1300 | OPEN LAMP RUBBER CAP |
| 0003 | SC630102 00 | BULB FOR XSAFE X-20 |
| 0004 | SCR450-06603-1200 | LAMP RUBBER CUP |
| 0005 | SC620649 00 | OZONIZER XSAFE X-20 |
| 0006 | SC660555 00 | TEE FITTING |
| 0007 | SC281822 02 | PLASTIC HOSE - PER METER |
| 0008 | SC651757 01 | FERRULE 3/8 |
| 0009 | SC651757 00 | ELBOW FITTING 3/8 |
| 0010 | SC651757 02 | STRAIGHT FITTING 3/8 |
| 0011 | SC734737 00R | OZONE INLET TUBE (COPPER) |
| 0012 | SC651760 00 | OZONIZER FILTER |
| 0013 | SC651758 00 | SPACER |