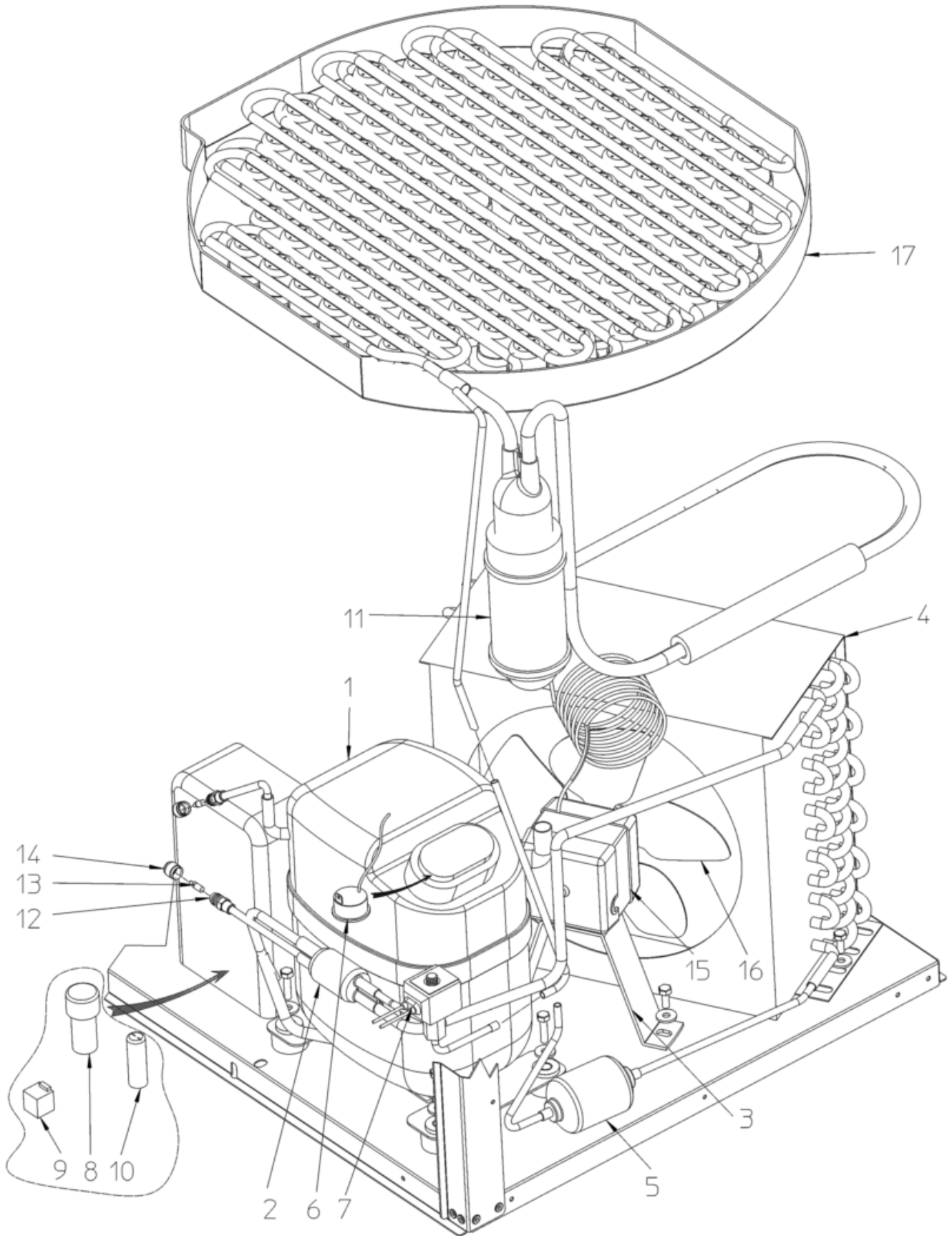
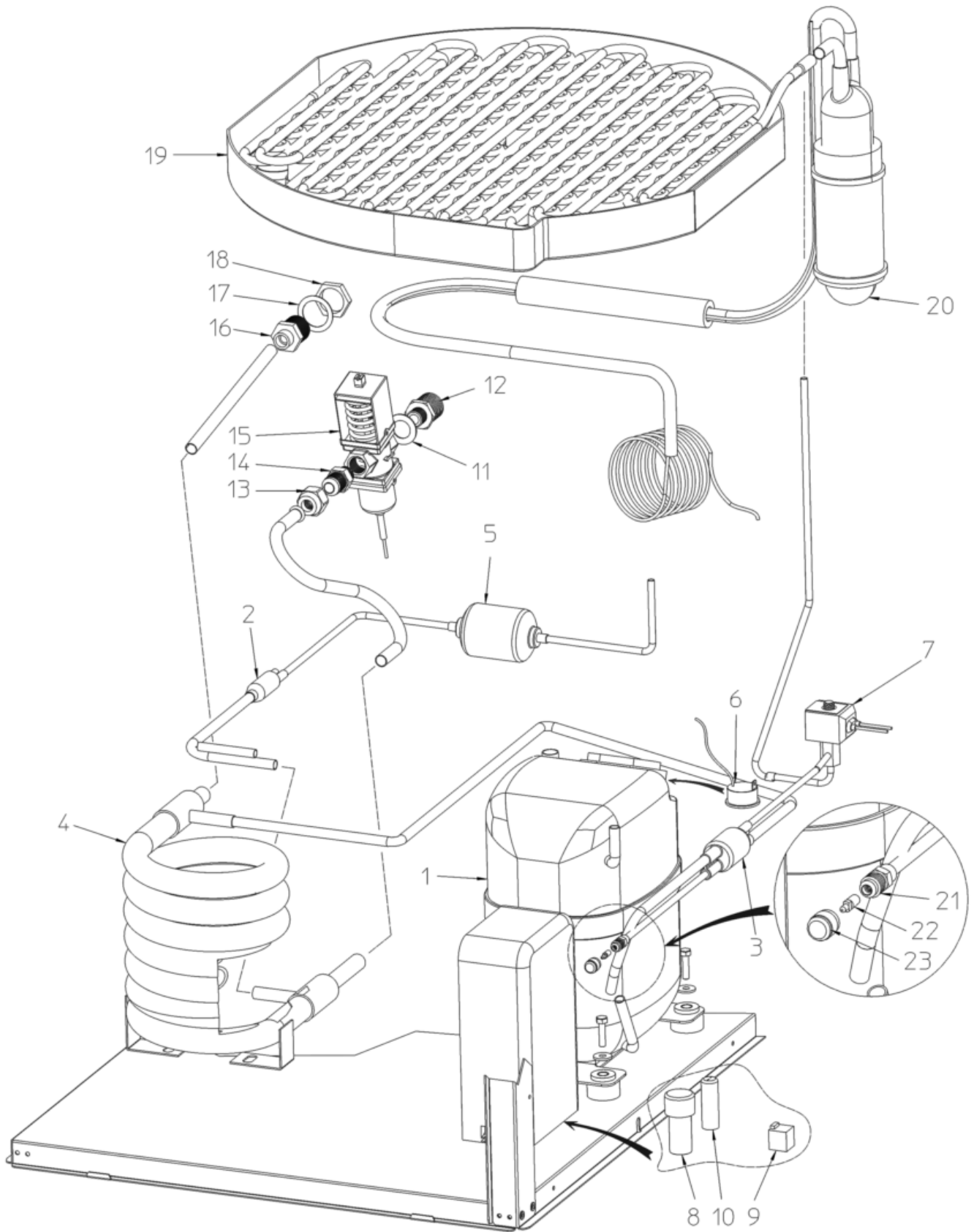


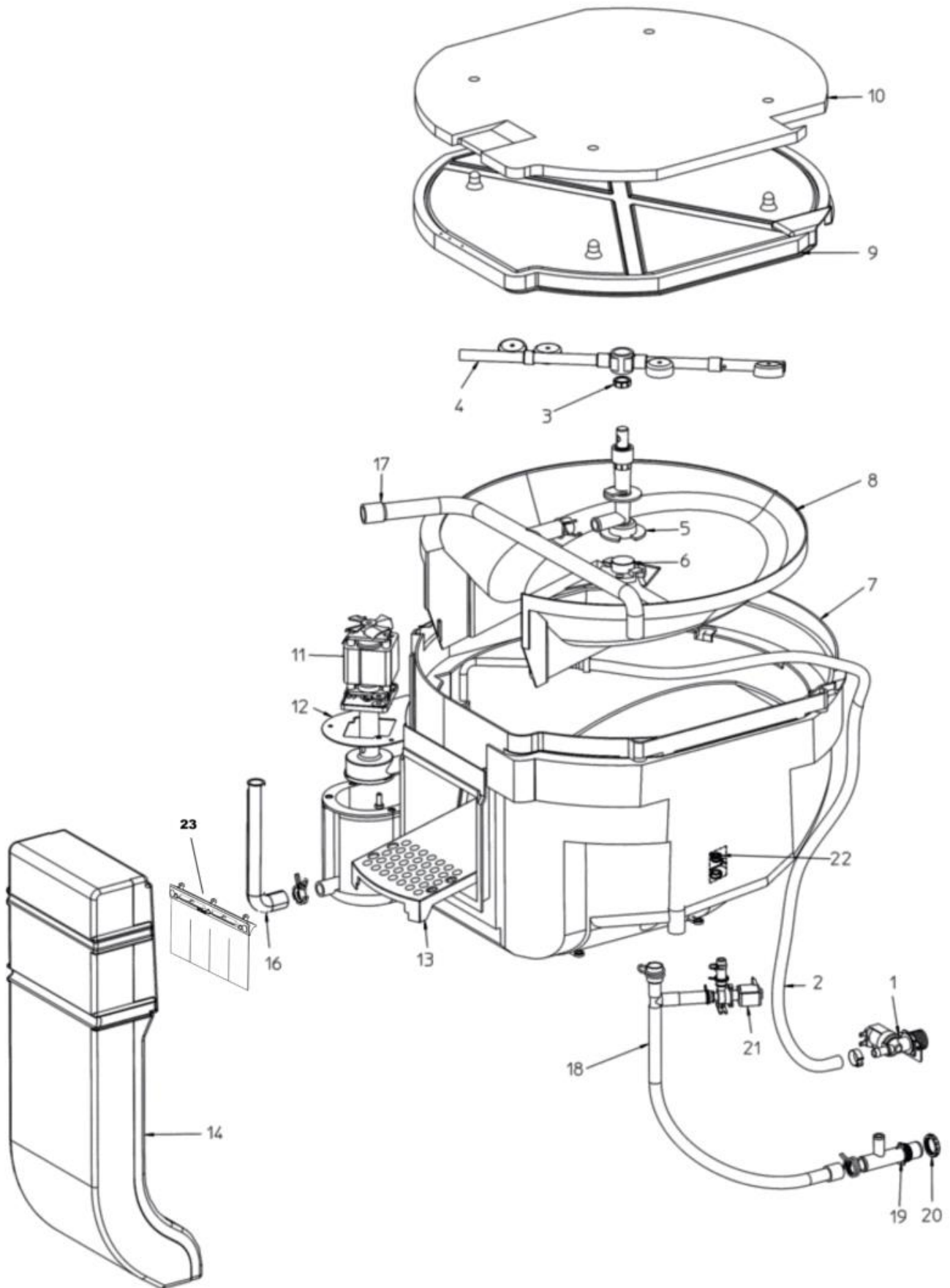
Pos	Code	Description
0002	SC722816 00	FRONT PANEL A MXG-328/-428
0003	SC722819 00	UPPER REAR PANEL MXG-328
0004	SC722815 00	PANNELLO LATER.SX MXG-328
0005	SC722814 00	RIGHT PANEL
0006	SC722817 00	TOP PANEL
0007	SC722818 00	PANNELLO POST.INF.MXG-328
0008	SC705272 00	SEPARAT.FILTR/COND.MXG328
0010	SC724545 00	SUPPORTO SCATOLA SCHEDA ELETTR. MXG-328
0011	SC661142 00	FRONT TRIM
0012	SC702786 00	EVAPORATOR SUPPORT MXG-328
0013	SC651513 01	LABEL MXG-428
0014	SC620487 00	GREEN SWITCH
0014	SC661121 01	SWITCH PROTECTION
0015	SC661144 00	AIR FILTER
0016	SC661143 00	FILTER TRIM



Pos	Code	Description
0001	SC670099 24	COM.CAJ4519Z 220-240/50(AJ4ZR1JF606A06-M)
0001	SC670099 25	C.CAJ4519ZF1208-220/60(AJ4ZR1HF606A06-M)
0002	SC630137 02	MECHANICAL FILTER - HUB
0003	SC620419 65	BRACKET
0004	SC620434 00	AIR COOLED CONDENSER
0005	SC670006 01	FILTER
0006	SC620058 57	PROTECTOR - 8571651
0007	SC620306 46	HOT GAS VALVE BODY
0007	SC620306 48	HOT GAS VALVE COIL
0008	SC620167 54	RUN CAPACITOR 450V
0009	SC620057 47	RELAY - 8565400
0010	SC620167 00	START.CAP. - 8640162
0011	SC784816 03R	SUCTION LINE ASSY
0012	SC650109 00	VALVE BODY
0013	SC670012 00	VALVE CORE
0014	SC650106 00	CAP
0015	SC620419 04	FAN MOTOR ATEX
0016	SC620419 34	BLADE
0017	SC784434 05	EVAPORATOR ASSY - LARGE
0017	SC784435 05	EVAPORATOR ASSY-MEDIUM
0017	SC784436 01	EVAPORATOR ASSY

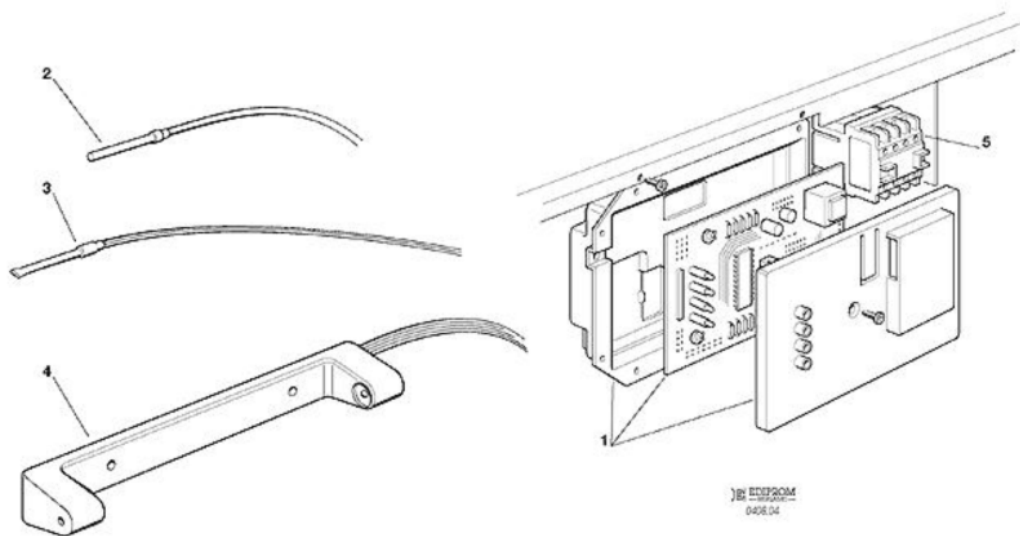


Pos	Code	Description
0001	SC670099 24	COM.CAJ4519Z 220-240/50(AJ4ZR1JF606A06-M)
0001	SC670099 25	C.CAJ4519ZF1208-220/60(AJ4ZR1HF606A06-M)
0002	SC630020 02	MECHANICAL FILTER
0003	SC630137 02	MECHANICAL FILTER - HUB
0004	SC620495 00	CONDENSER, WATER
0005	SC670006 01	FILTER
0006	SC620058 57	PROTECTOR - 8571651
0007	SC620306 46	HOT GAS VALVE BODY
0007	SC620306 48	HOT GAS VALVE COIL
0008	SC620167 54	RUN CAPACITOR 450V
0009	SC620057 47	RELAY - 8565400
0010	SC620167 00	START.CAP. - 8640162
0011	SC400031 01	WASHER
0012	SC733204 00	WATER INLET FITTING
0013	SC400085 02	FITTING 1/2
0014	SC733208 02	COUPLING
0015	SC620111 00	WATER REGUL. VALVE
0016	SC733205 04	WATER INLET FITTING
0017	SC400052 00	WASHER
0018	SC400053 00	NUT
0019	SC784434 05	EVAPORATOR ASSY - LARGE
0019	SC784435 05	EVAPORATOR ASSY-MEDIUM
0019	SC784436 01	EVAPORATOR ASSY
0020	SC784816 03R	SUCTION LINE ASSY
0021	SC650109 00	VALVE BODY
0022	SC670012 00	VALVE CORE
0023	SC650106 00	CAP



Pos	Code	Description
0001	SC650105 54	WATER INLET VALVE
0002	SC281900 01	TUBE 16X10
0003	SC440013 08	TRUST WASHER
0004	SC793127 03	SPRAY BAR
0005	SC660475 00	WATER JET BEARING
0006	SC660483 00	PLASTIC FLANGE
0007	SC784344 00R	EVAPORATOR ASSY
0008	SC660487 01	INNER BOTTOM
0009	SC660491 00	EVAPORATOR COVER
0010	SC650538 00	INSULATION
0011	SC620430 09R	WATER PUMP 230V/50HZ/1PH ATEX
0012	SC723132 05	PUMP BRACKET
0013	SC660488 01	MOBILE INNER BOTTOM
0014	SC661135 03	ICE CHUTE MXG-328/-428/-438
0016	SC610148 10	TUBE
0017	SC610188 00	TUBE
0018	SC610236 00	TUBO PVC SCAR.ASS.MXG-328
0019	SC660224 02	WATER DRAIN FITTING - ONE INLET
0020	SC660535 00	PLASTIC NUT
0021	SC620460 00	WATER DRAIN VALVE
0022	SC651738 00	FILTER
0023	SC661237 00	MEMBRANE CURTAIN





Pos	Code	Description
0001	SC620462 24	PC BOARD 230V INNOTECH ATEX
0002	SC620519 01	EVAPORATOR SENSOR NTC
0003	SC620519 04	CONDENSER SENSOR NTC
0004	SC060840 00	KIT OPTICAL READER SUPPORT MXG
0004	SC650674 07	OPTICAL ICE LEVEL CTRL