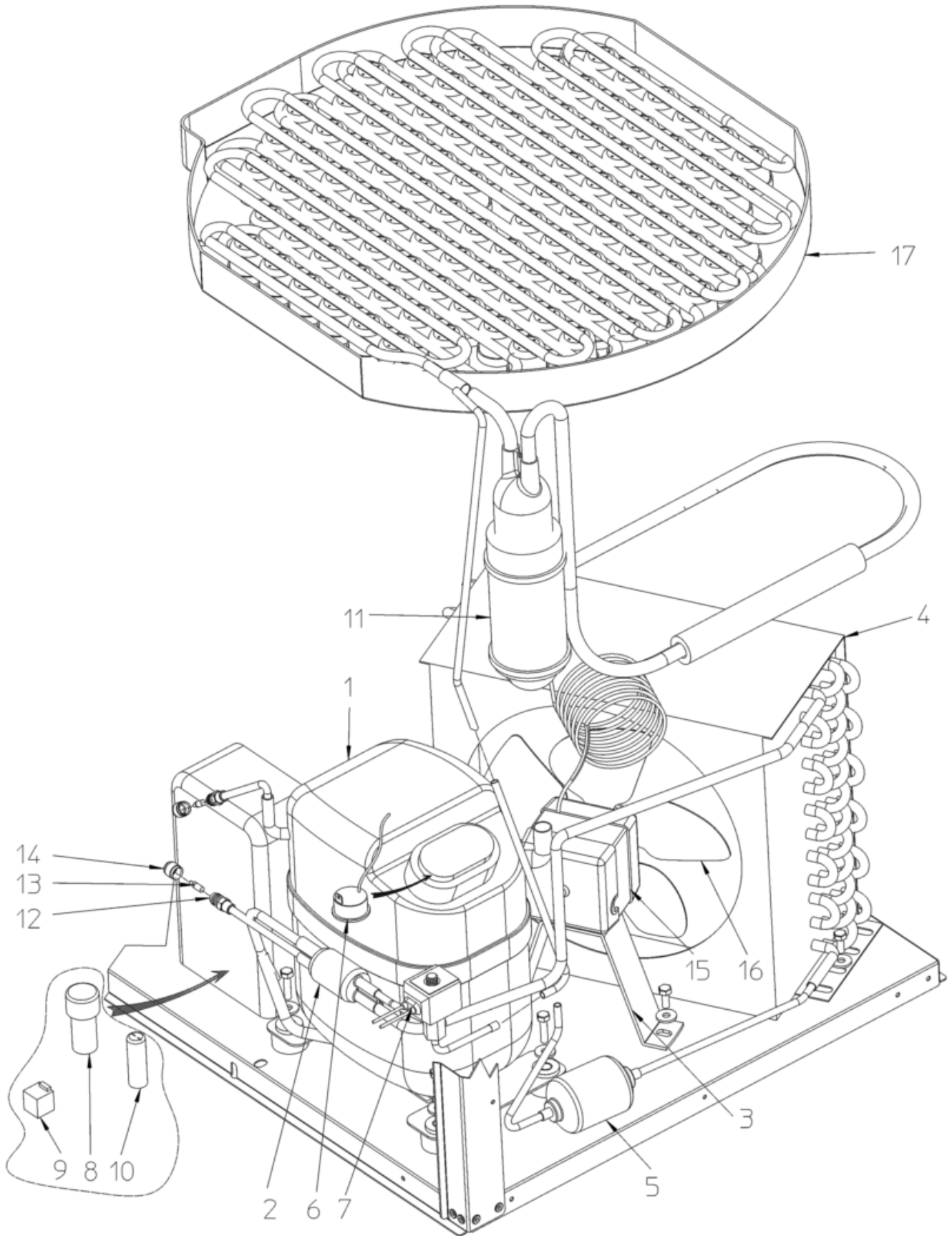
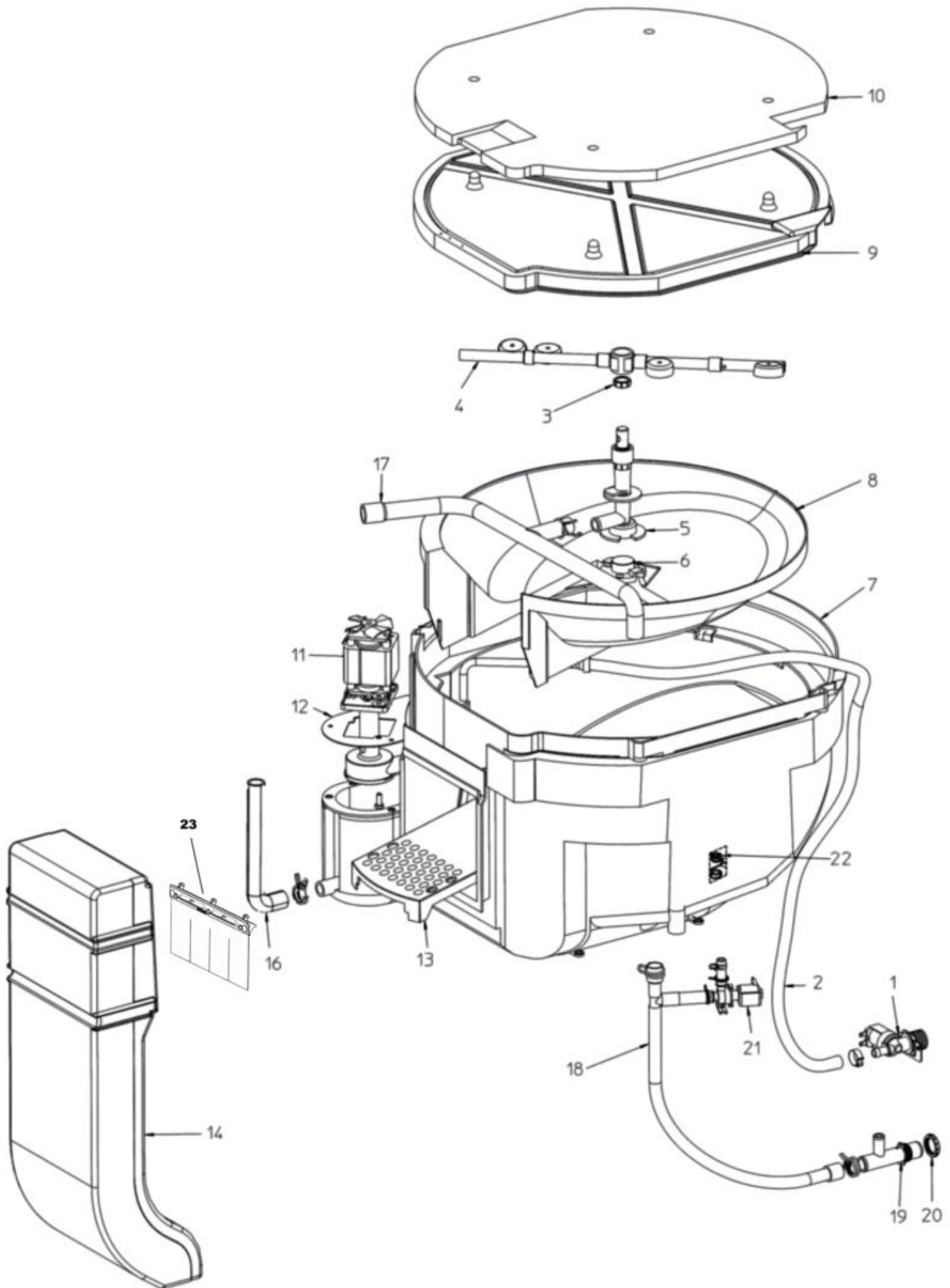


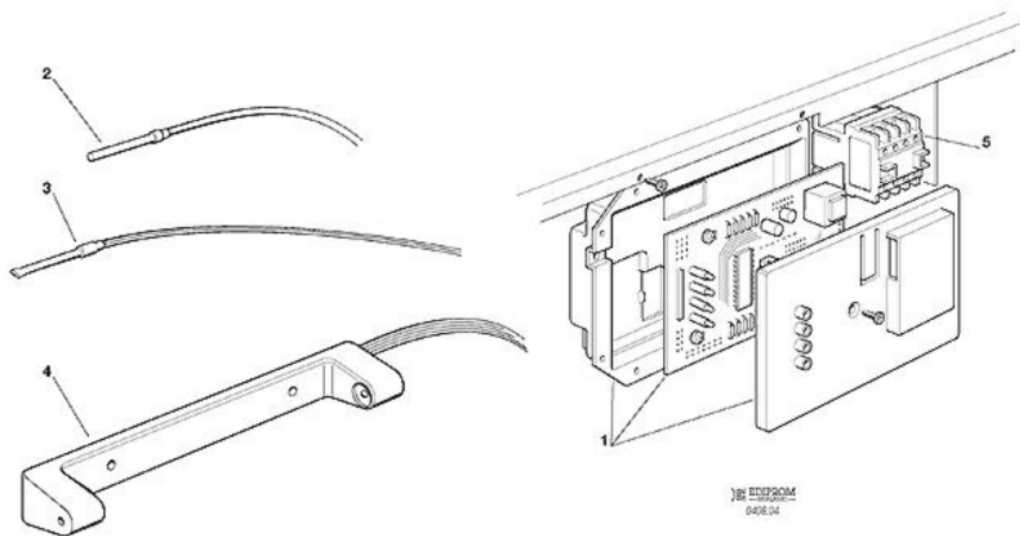
Pos	Code	Description
0003	SC722819 00	UPPER REAR PANEL MXG-328
0004	SC722815 00	PANNELLO LATER.SX MXG-328
0005	SC722814 00	RIGHT PANEL
0006	SC722817 00	TOP PANEL
0007	SC722818 00	PANNELLO POST.INF.MXG-328
0008	SC705272 00	SEPARAT.FILTR/COND.MXG328
0010	SC724545 00	SUPPORTO SCATOLA SCHEDA ELETTR. MXG-328
0011	SC661142 00	FRONT TRIM
0012	SC702786 00	EVAPORATOR SUPPORT MXG-328
0015	SC661144 00	AIR FILTER
0016	SC661143 00	FILTER TRIM



Pos	Code	Description
0001	SC670108 03	COMPRESSOR NT 6230U 220-240/50/1
0002	SC630137 01	MECHANICAL FILTER
0003	SC620419 65	BRACKET
0005	SC630003 11	FILTER
0007	SC620306 46	HOT GAS VALVE BODY
0007	SC620306 48	HOT GAS VALVE COIL
0012	SC650109 00	VALVE BODY
0013	SC670012 00	VALVE CORE
0014	SC650106 00	CAP
0015	SC620419 04	FAN MOTOR ATEX
0016	SC620419 34	BLADE
0017	SC784434 05	EVAPORATOR ASSY - LARGE
0017	SC784435 05	EVAPORATOR ASSY-MEDIUM
0017	SC784436 01	EVAPORATOR ASSY

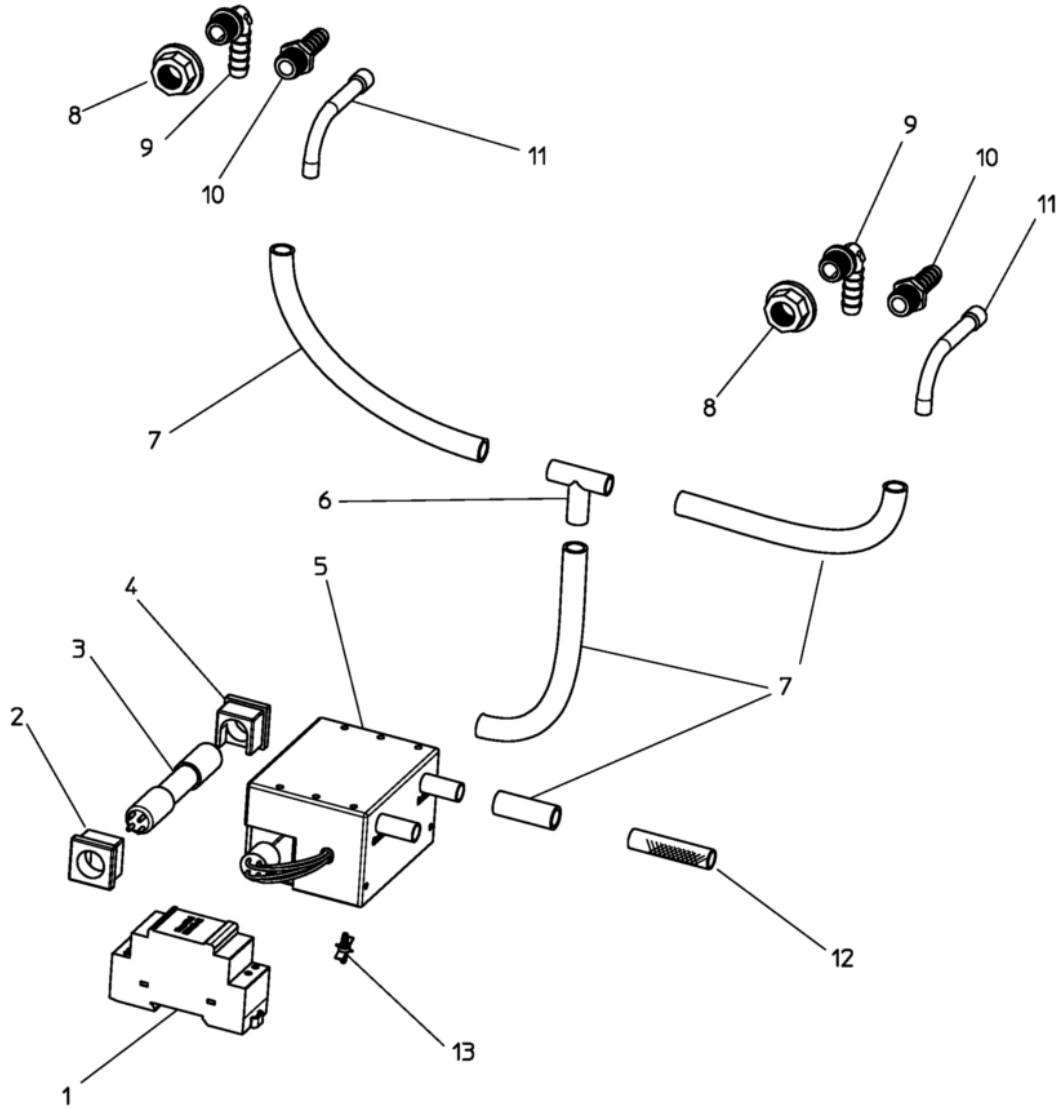


Pos	Code	Description
0001	SC650105 54	WATER INLET VALVE
0002	SC281900 01	TUBE 16X10
0003	SC440013 08	TRUST WASHER
0004	SC793127 03	SPRAY BAR
0005	SC660475 00	WATER JET BEARING
0006	SC660483 00	PLASTIC FLANGE
0007	SC784344 00R	EVAPORATOR ASSY
0008	SC660487 01	INNER BOTTOM
0009	SC660491 00	EVAPORATOR COVER
0010	SC650538 00	INSULATION
0011	SC620430 09	USE SC620430 09R
0012	SC723132 05	PUMP BRACKET
0013	SC660488 01	MOBILE INNER BOTTOM
0014	SC661135 03	ICE CHUTE MXG-328/-428/-438
0016	SC610148 10	TUBE
0017	SC610188 00	TUBE
0018	SC610236 00	TUBO PVC SCAR.ASS.MXG-328
0019	SC660224 02	WATER DRAIN FITTING - ONE INLET
0020	SC660535 00	PLASTIC NUT
0021	SC620460 00	WATER DRAIN VALVE
0022	SC651738 00	FILTER
0023	SC661237 00	MEMBRANE CURTAIN



Pos	Code	Description
0001	SC620462 24	PC BOARD 230V INNOTECH ATEX
0002	SC620519 01	EVAPORATOR SENSOR NTC
0003	SC620519 04	CONDENSER SENSOR NTC
0004	SC060840 00	KIT OPTICAL READER SUPPORT MXG
0004	SC650674 07	OPTICAL ICE LEVEL CTRL





Pos	Code	Description
0001	SC620648 00	POWER SUPPLY 12Vcc HDR-30-12
0002	SCR450-06603-1300	OPEN LAMP RUBBER CAP
0003	SC630102 00	BULB FOR XSAFE X-20
0004	SCR450-06603-1200	LAMP RUBBER CUP
0005	SC620649 00	OZONIZER XSAFE X-20
0006	SC660555 00	TEE FITTING
0007	SC281822 02	PLASTIC HOSE - PER METER
0008	SC651757 01	FERRULE 3/8
0009	SC651757 00	ELBOW FITTING 3/8
0010	SC651757 02	STRAIGHT FITTING 3/8
0011	SC734737 00R	OZONE INLET TUBE (COPPER)
0012	SC651760 00	OZONIZER FILTER
0013	SC651758 00	SPACER