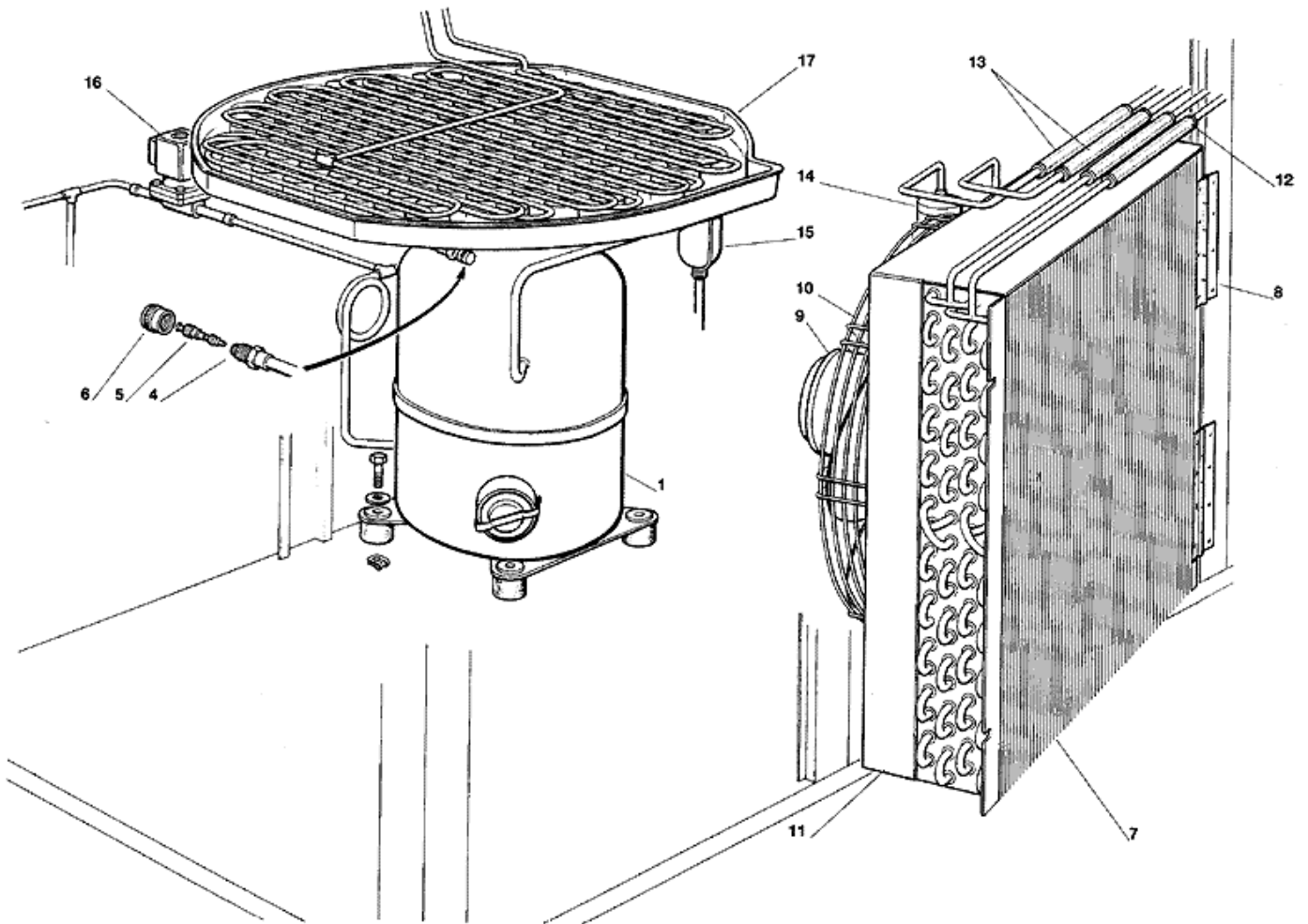
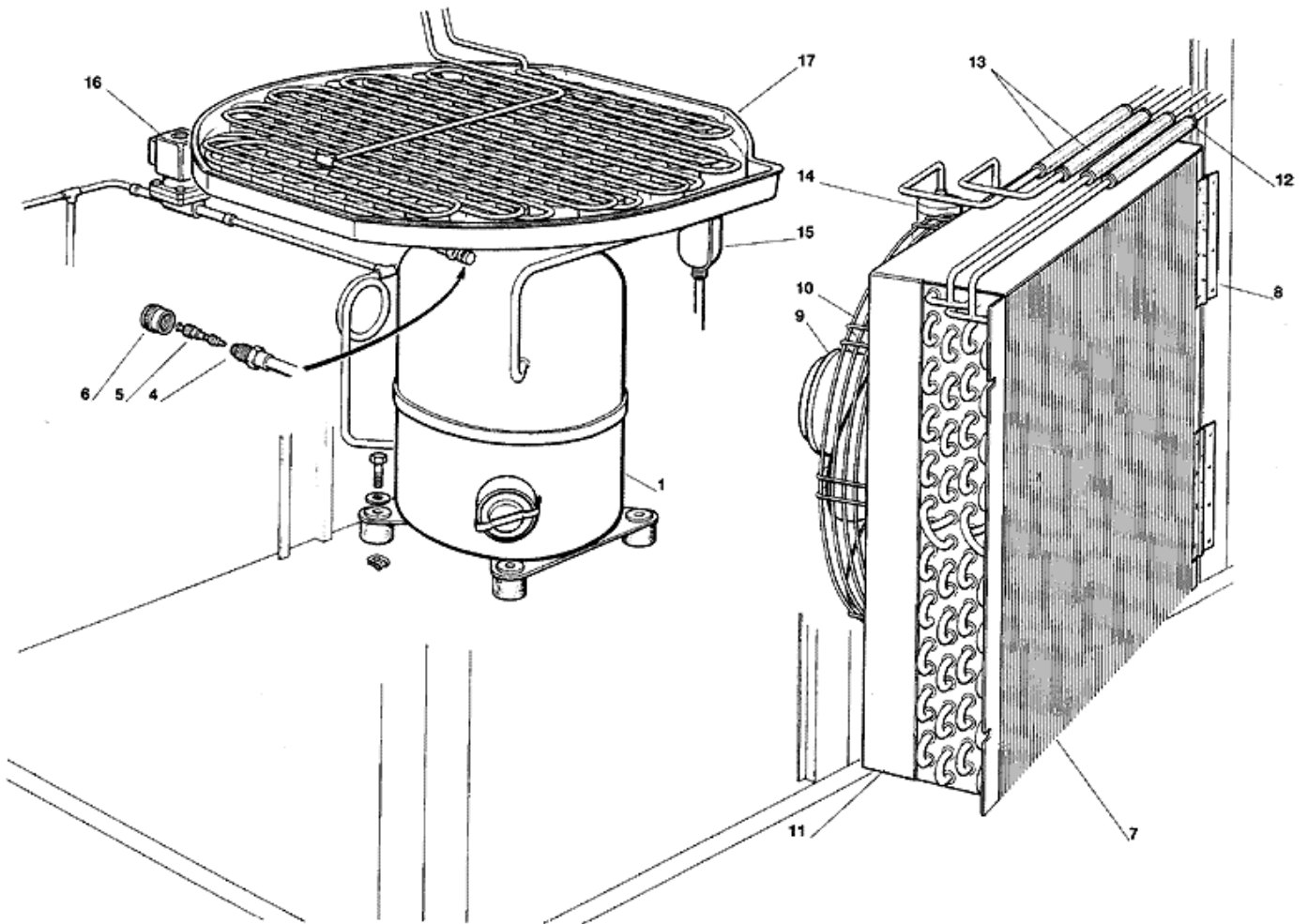


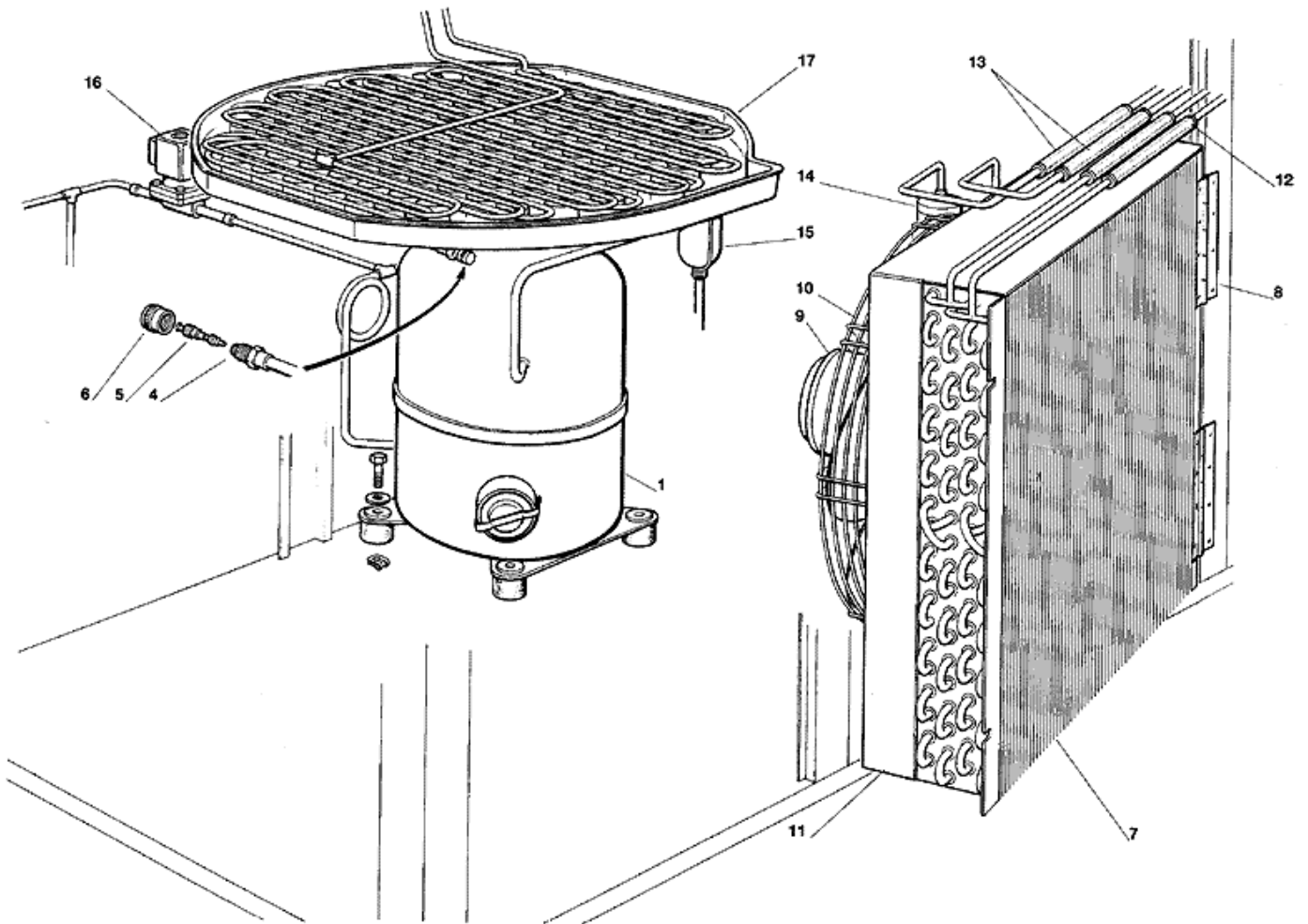
Pos	Code	Description
0001	SC784360 02R	UNIT FRAME
0002	SC702104 01	FRONT SIDE PANEL
0003	SC721664 01	CENTRAL FRONT PANEL
0005	SC702041 01	SIDE PANEL S.S.
0006	SC702102 01	TOP SIDE PANEL
0007	SC702102 03	TOP CENTRAL PANEL S.S.
0008	SC721665 00	REAR SIDE PANEL
0009	SC721666 00	REAR CENTRAL PANEL



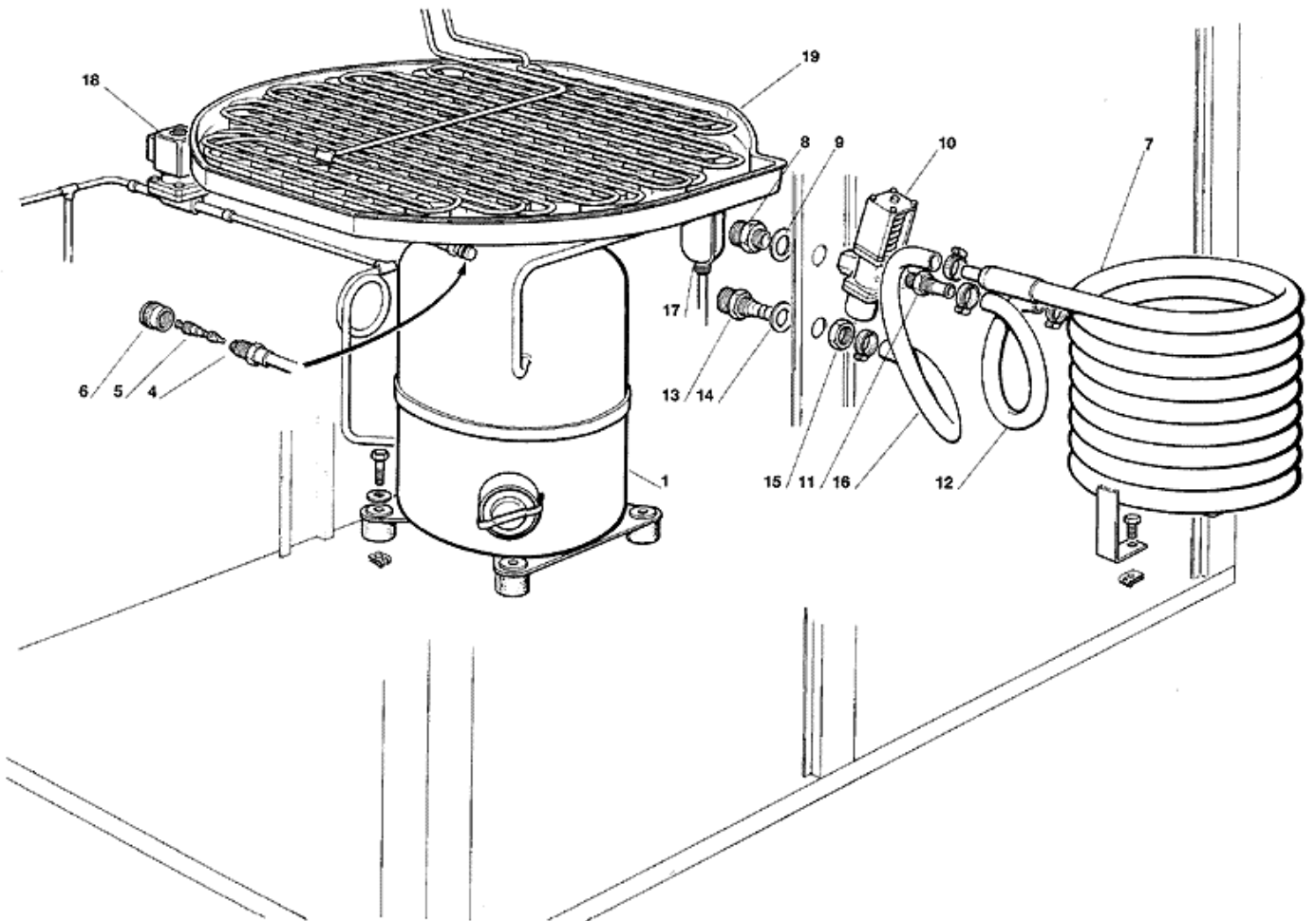
Pos	Code	Description
0001	SC670098 00	COMPR.TFH4531Z (2545430115-M)
0001	SC670098 03	COMP.TFH4531Z 220/50-60/3 (WX2545490115)
0004	SC650109 00	VALVE BODY
0005	SC670012 00	VALVE CORE
0006	SC650106 00	CAP
0007	SC620432 00	AIR COOLED CONDENSER
0008	SC650163 01	CLASP
0009	SC620274 00	BLADE
0009	SC620580 00	FAN MOTOR N GRID ASSY 230/50-60
0010	SC620338 00	GRID
0011	SC702063 01	SHROUD
0012	SC650313 03	VIBRATION ABSORBER
0013	SC650313 03	VIBRATION ABSORBER
0014	SC670006 01	FILTER
0015	SC784440 00R	SUCTION LINE - RIGHT SIDE
0015	SC784440 02R	NO LONGER AVAILABLE
0016	SC620306 07	HOT GAS VALVE BODY
0016	SC620306 48	HOT GAS VALVE COIL
0017	SC784434 05	EVAPORATOR ASSY - LARGE
0017	SC784435 05	EVAPORATOR ASSY-MEDIUM



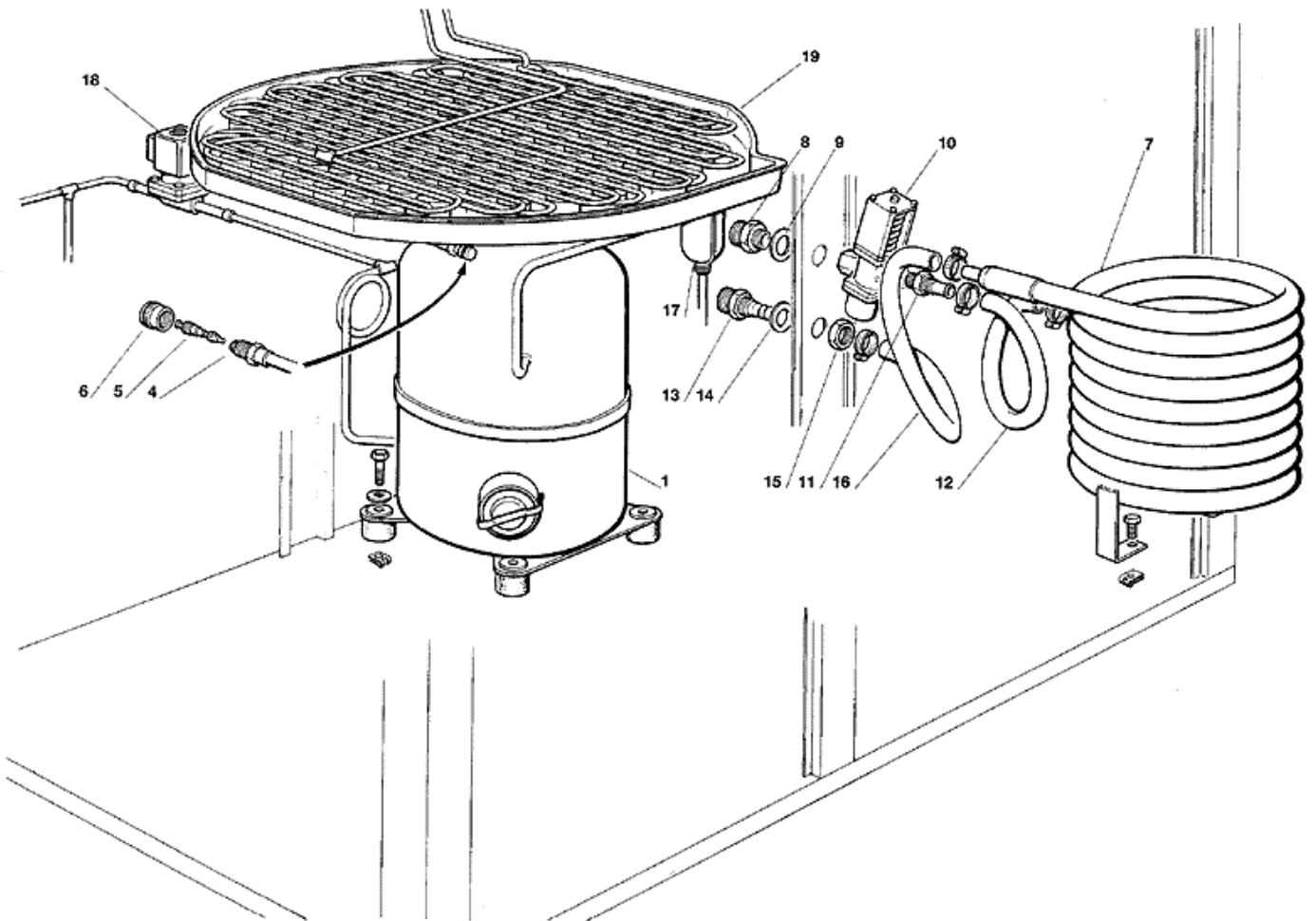
Pos	Code	Description
0001	SC18008749 24	COMPRESSOR
0001	SC670098 00	COMPR.TFH4531Z (2545430115-M)
0004	SC650109 00	VALVE BODY
0005	SC670012 00	VALVE CORE
0006	SC650106 00	CAP
0007	SC620432 00	AIR COOLED CONDENSER
0008	SC650163 01	CLASP
0009	SC620274 00	BLADE
0009	SC620580 00	FAN MOTOR N GRID ASSY 230/50-60
0010	SC620338 00	GRID
0011	SC702063 01	SHROUD
0012	SC650313 03	VIBRATION ABSORBER
0013	SC650313 03	VIBRATION ABSORBER
0014	SC670006 01	FILTER
0015	SC784440 00R	SUCTION LINE - RIGHT SIDE
0015	SC784440 02R	NO LONGER AVAILABLE
0016	SC620306 07	HOT GAS VALVE BODY
0016	SC620306 48	HOT GAS VALVE COIL
0017	SC784434 05	EVAPORATOR ASSY - LARGE
0017	SC784435 05	EVAPORATOR ASSY-MEDIUM



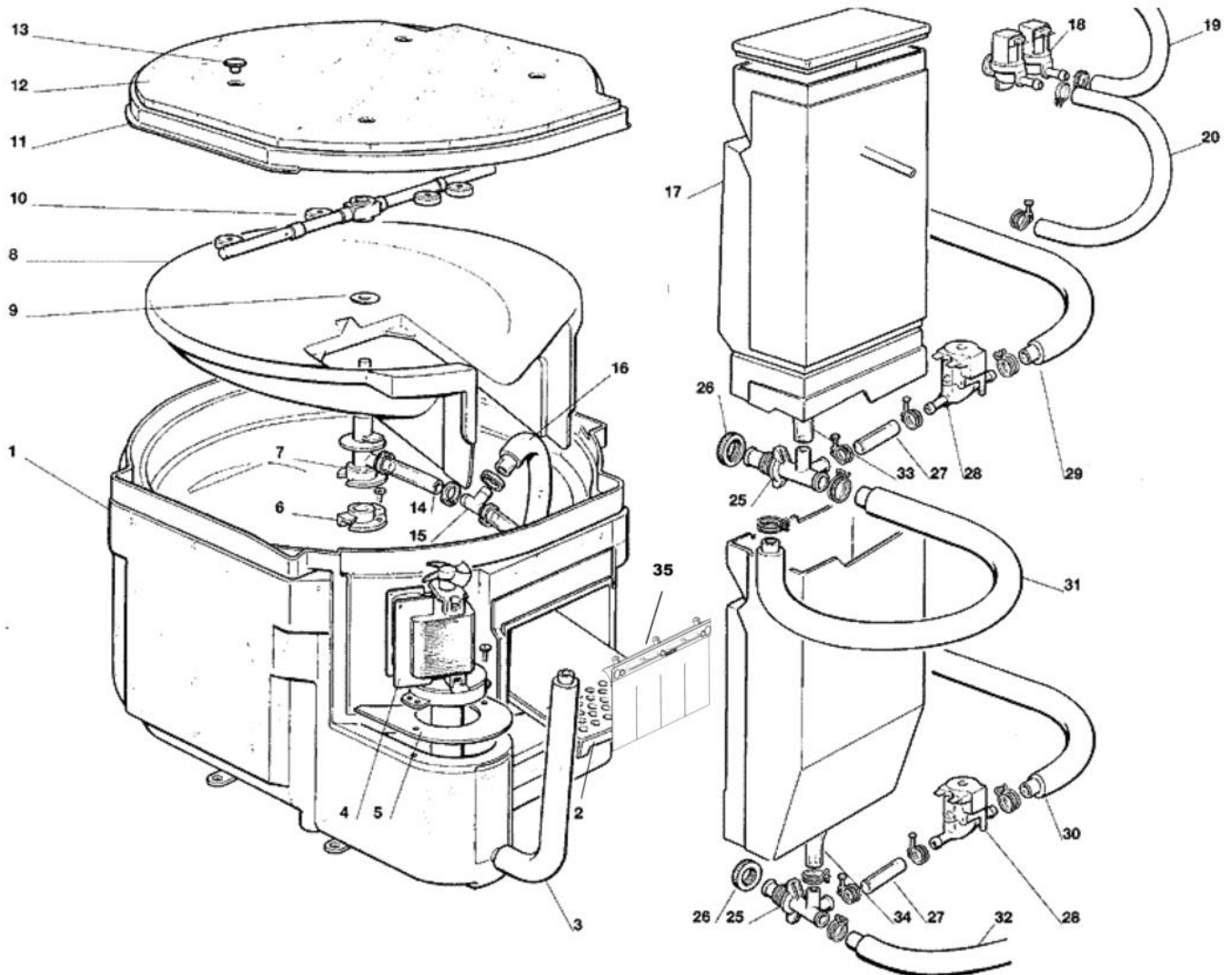
Pos	Code	Description
0001	SC18008749 24	COMPRESSOR
0001	SC670115 00	COMPR. FH4532Z-XG1A 400/50-60/3
0004	SC650109 00	VALVE BODY
0005	SC670012 00	VALVE CORE
0006	SC650106 00	CAP
0007	SC620432 00	AIR COOLED CONDENSER
0008	SC650163 01	CLASP
0009	SC620580 00	FAN MOTOR N GRID ASSY 230/50-60
0010	SC620520 05	CAPACITOR
0011	SC702063 01	SHROUD
0012	SC650313 03	VIBRATION ABSORBER
0013	SC650313 03	VIBRATION ABSORBER
0014	SC670006 01	FILTER
0015	SC784440 00R	SUCTION LINE - RIGHT SIDE
0015	SC784440 02R	NO LONGER AVAILABLE
0016	SC620306 07	HOT GAS VALVE BODY
0016	SC620306 48	HOT GAS VALVE COIL
0017	SC784434 05	EVAPORATOR ASSY - LARGE
0017	SC784435 05	EVAPORATOR ASSY-MEDIUM



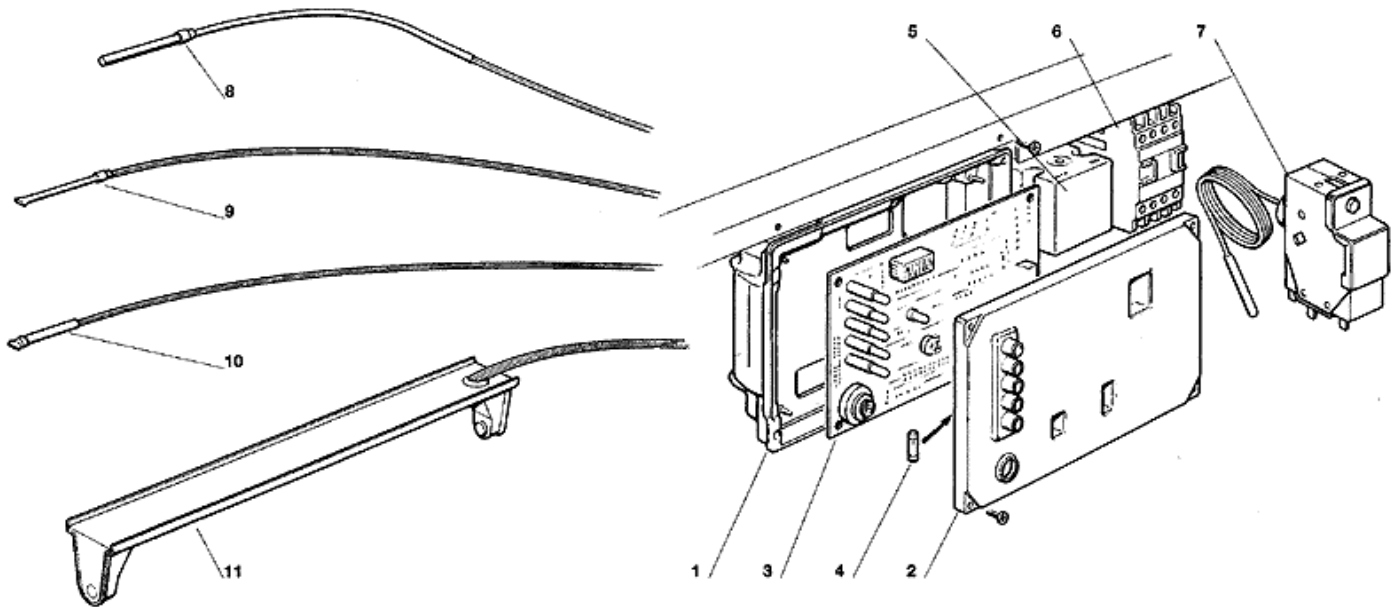
Pos	Code	Description
0001	SC670098 00	COMPR.TFH4531Z (2545430115-M)
0001	SC670098 03	COMP.TFH4531Z 220/50-60/3 (WX2545490115)
0004	SC650109 00	VALVE BODY
0005	SC670012 00	VALVE CORE
0006	SC650106 00	CAP
0007	SC620495 01	CONDENSER, WATER
0008	SC733204 00	WATER INLET FITTING
0009	SC400031 01	WASHER
0010	SC620111 00	WATER REGUL. VALVE
0011	SC733173 02	OBSOLETE
0012	SC281900 05	TUBO PVC DN13 (13X19)90°
0013	SC733174 00	FITTING
0014	SC400031 01	WASHER
0015	SC400076 00	NUT
0017	SC784440 00R	SUCTION LINE - RIGHT SIDE
0017	SC784440 02R	NO LONGER AVAILABLE
0018	SC620306 07	HOT GAS VALVE BODY
0018	SC620306 48	HOT GAS VALVE COIL
0019	SC784434 05	EVAPORATOR ASSY - LARGE
0019	SC784435 05	EVAPORATOR ASSY-MEDIUM



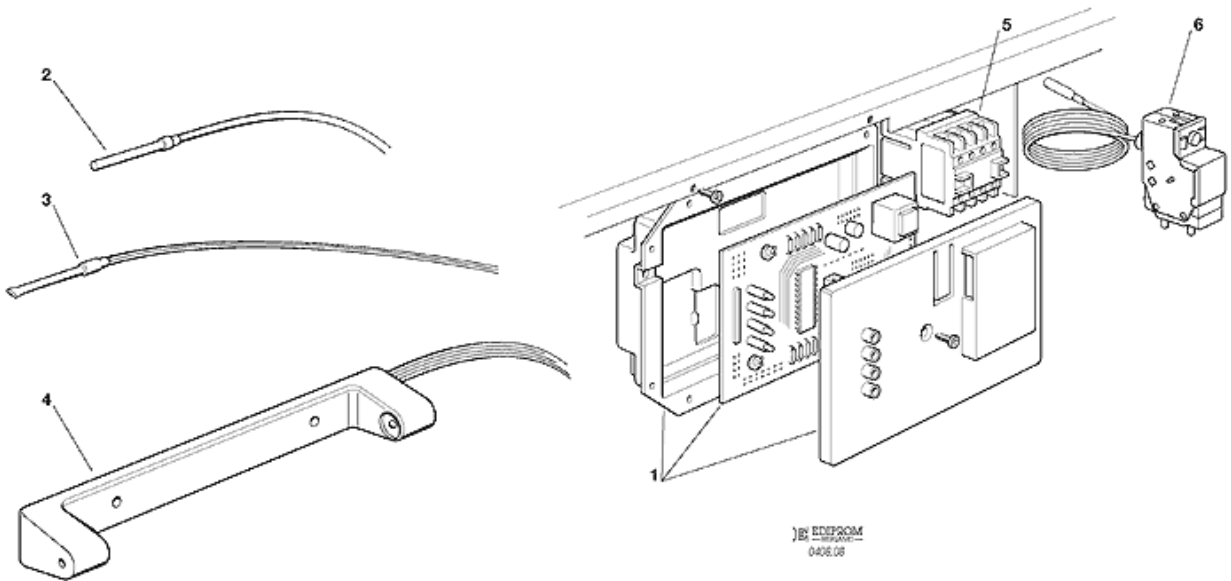
Pos	Code	Description
0001	SC18008749 24	COMPRESSOR
0001	SC670115 00	COMPR. FH4532Z-XG1A 400/50-60/3
0004	SC650109 00	VALVE BODY
0005	SC670012 00	VALVE CORE
0006	SC650106 00	CAP
0007	SC620495 01	CONDENSER, WATER
0008	SC733204 00	WATER INLET FITTING
0009	SC400031 01	WASHER
0010	SC620111 00	WATER REGUL. VALVE
0011	SC733173 02	OBSOLETE
0012	SC281900 05	TUBO PVC DN13 (13X19)90°
0013	SC733174 00	FITTING
0014	SC400031 01	WASHER
0015	SC400076 00	NUT
0017	SC784440 00R	SUCTION LINE - RIGHT SIDE
0017	SC784440 02R	NO LONGER AVAILABLE
0018	SC620306 07	HOT GAS VALVE BODY
0018	SC620306 48	HOT GAS VALVE COIL
0019	SC784434 05	EVAPORATOR ASSY - LARGE
0019	SC784435 05	EVAPORATOR ASSY-MEDIUM



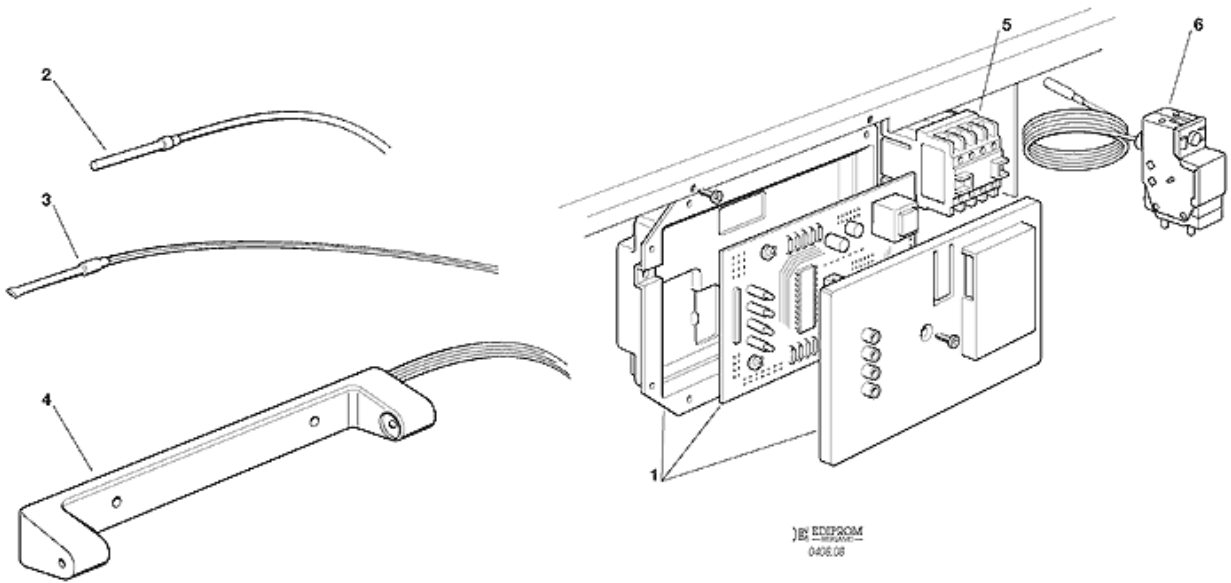
Pos	Code	Description
0001	SC784344 00R	EVAPORATOR ASSY
0002	SC660488 01	MOBILE INNER BOTTOM
0003	SC610148 10	TUBE
0004	SC620430 02	WATER PUMP 230V/60HZ/1PH
0004	SC620430 09R	WATER PUMP 230V/50HZ/1PH ATEX
0005	SC723132 05	PUMP BRACKET
0006	SC660483 00	PLASTIC FLANGE
0007	SC660475 00	WATER JET BEARING
0008	SC660487 01	INNER BOTTOM
0009	SC440013 08	TRUST WASHER
0010	SC793127 03	SPRAY BAR
0011	SC660491 00	EVAPORATOR COVER
0012	SC650538 00	INSULATION
0014	SC610188 00	TUBE
0015	SC610188 00	TUBE
0016	SC610148 10	TUBE
0017	SC660477 01	ICE CHUTE
0018	SC650105 53	WATER SOL. VALVE
0019	SC281900 01	TUBE 16X10
0020	SC281900 01	TUBE 16X10
0025	SC660224 00	TEE TUBE
0026	SC660535 00	PLASTIC NUT
0027	SC281830 06	TUBE PVC
0028	SC620460 00	WATER DRAIN VALVE
0029	SC281830 06	TUBE PVC
0030	SC281830 06	TUBE PVC
0031	SC610148 10	TUBE
0032	SC610148 10	TUBE
0035	SC661237 00	MEMBRANE CURTAIN



Pos	Code	Description
0001	SCCM 29070021	NLA
0002	SCCM 29015057	PLASTIC COVER
0003	SC060711 00	PC BOARD KIT - 230V
0004	SC630015 09	NO LONGER AVAILABLE
0004	SC630015 10	FUSE 16A/250V
0005	SC620387 05	OBSOLETE
0006	SC620513 01	THERMAL RELAY
0006	SC630148 00	CONTACTOR
0007	SC620075 02	PRESSURE CONTROL-R404A
0008	SC620404 10	EVAPORATOR SENSOR - NLA
0009	SC620404 11	CONDENSER SENSOR
0010	SC620404 02	AMBIENT SENSOR - NLA
0011	SC650674 07	OPTICAL ICE LEVEL CTRL



Pos	Code	Description
0001	SC060711 00	PC BOARD KIT - 230V
0002	SC620404 10	EVAPORATOR SENSOR - NLA
0003	SC620404 11	CONDENSER SENSOR
0004	SC650674 07	OPTICAL ICE LEVEL CTRL
0005	SC620513 01	THERMAL RELAY
0005	SC630148 00	CONTACTOR
0006	SC620075 02	PRESSURE CONTROL-R404A



Pos	Code	Description
0001	SC620462 12	PC BOARD - NTC 115V
0001	SC620462 24	PC BOARD 230V INNOTECH ATEX
0001	SC630015 15	FUSE T6,3A - 250V
0002	SC620519 01	EVAPORATOR SENSOR NTC
0003	SC620519 04	CONDENSER SENSOR NTC
0004	SC650674 07	OPTICAL ICE LEVEL CTRL
0005	SC620513 01	THERMAL RELAY
0005	SC630148 00	CONTACTOR
0006	SC620075 02	PRESSURE CONTROL-R404A