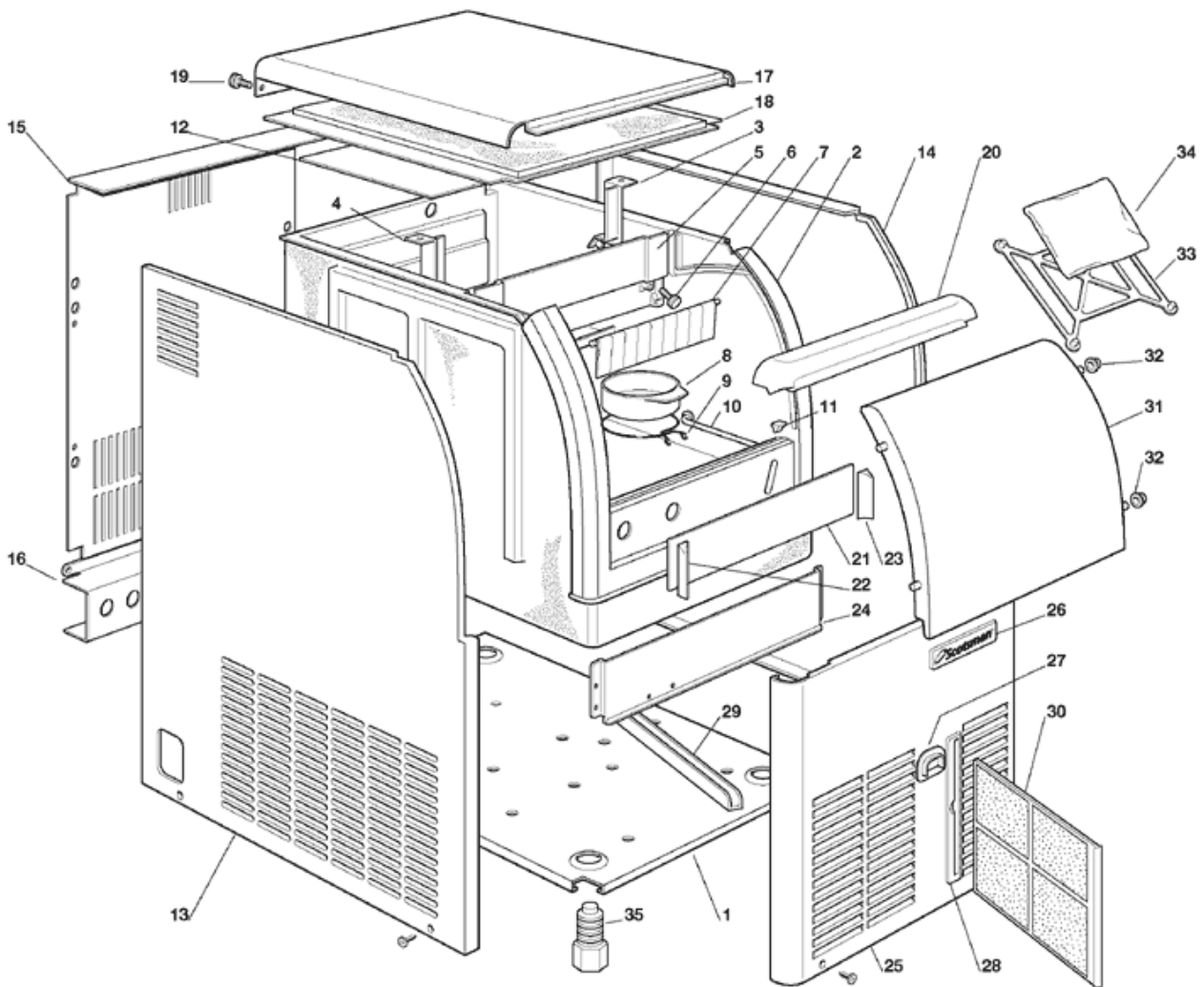
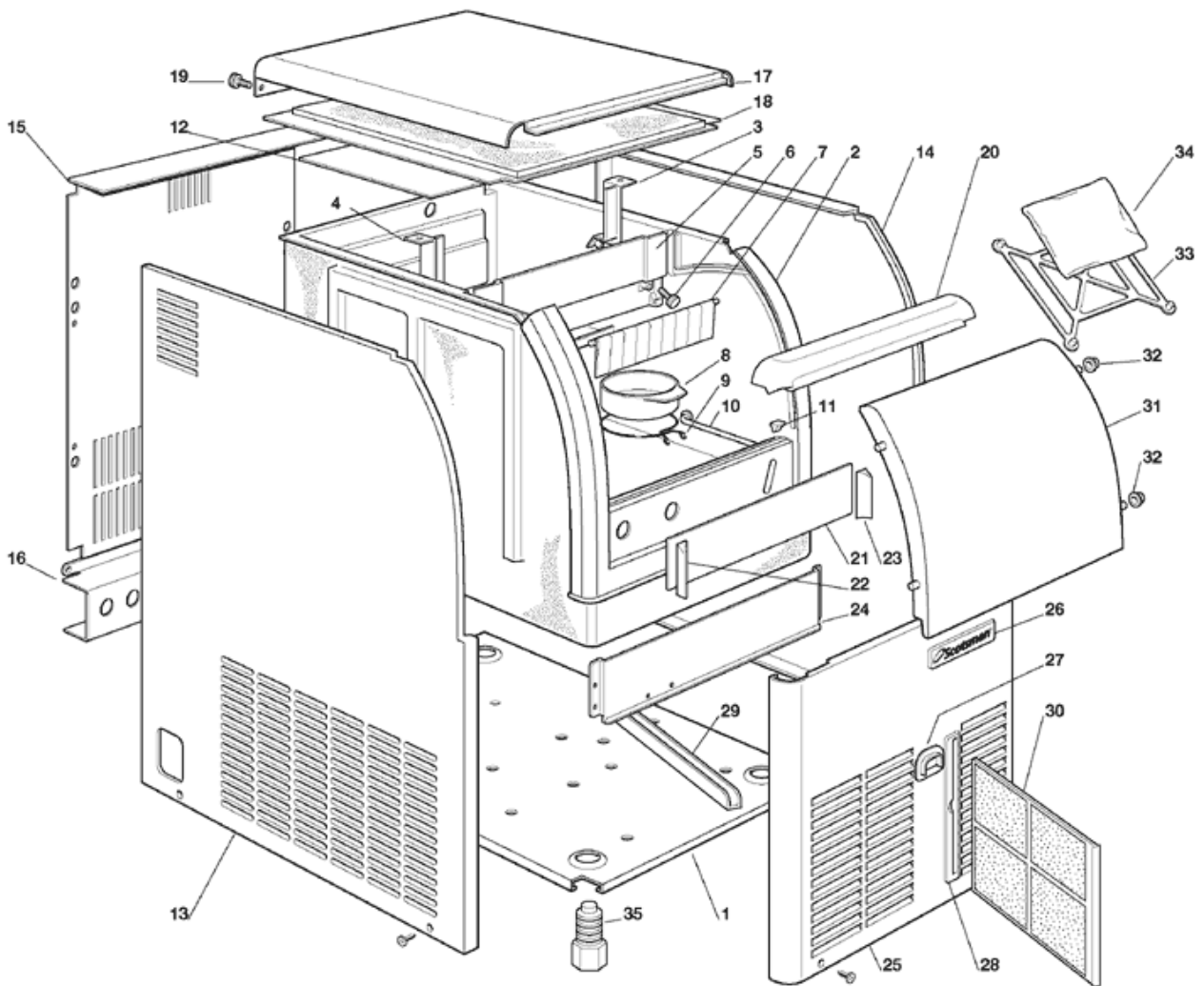


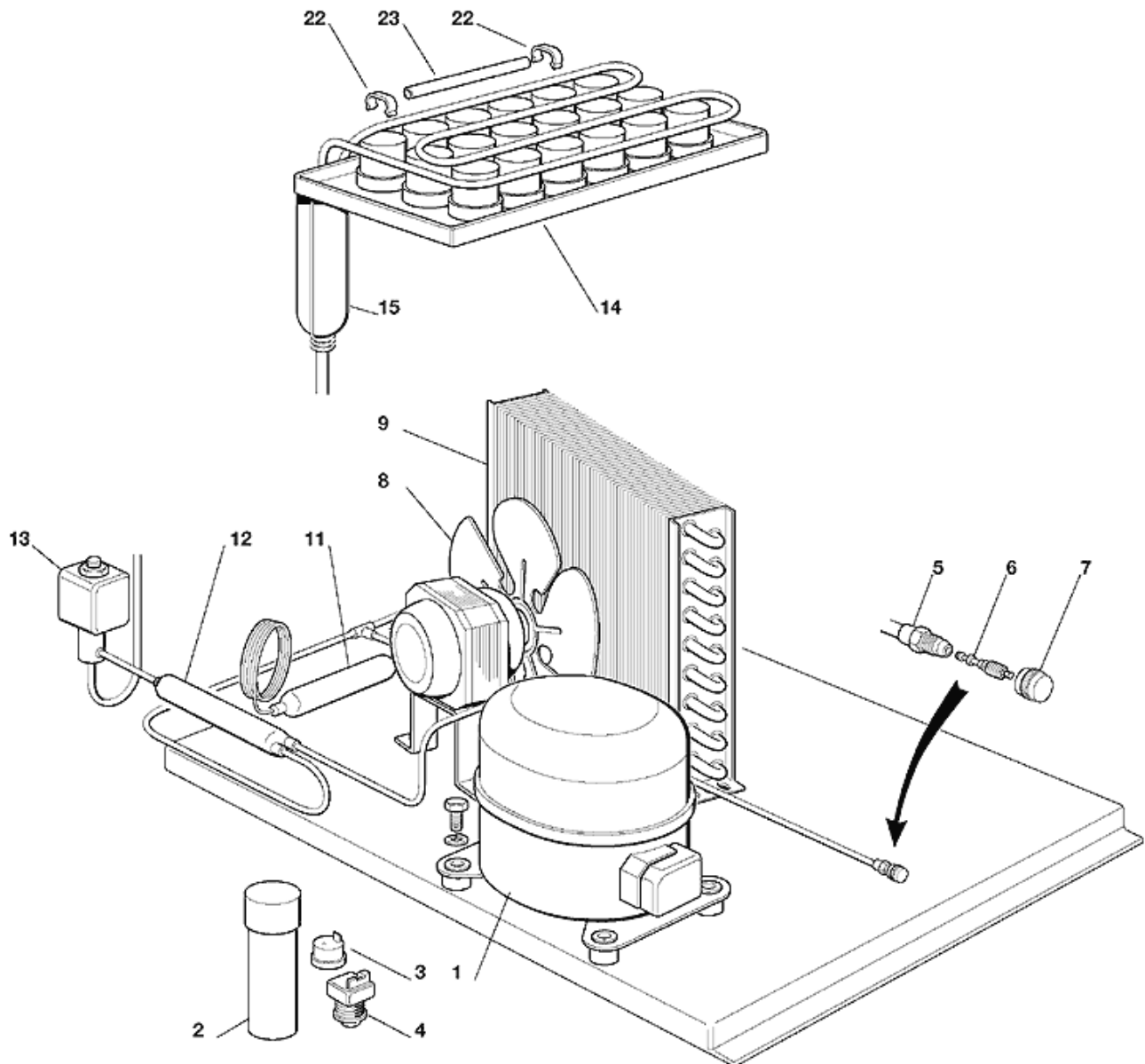
Pos	Code	Description
0001	SC702386 00	UNIT BASE
0002	SC782101 01R	STORAGE BIN ASSY
0003	SC660778 00	USE SC660778 02
0004	SC660778 01	USE SC660778 03
0005	SC660775 00	USE SC660775 01
0006	SC650806 05	THUMB SCREW
0007	SC784457 07R	CURTAIN ASSY
0007	SC784457 10R	CURTAIN ASSY - SMALL CUBE
0008	SC660741 00	PLASTIC PLUG
0009	SC460047 00	SPRING
0010	SC732017 00	BULB HOLDER
0011	SC660816 00	SHOCK ABSORBER
0012	SC742033 04	EVAPORATOR COVER
0013	SC721972 01	LEFT SIDE PANEL
0014	SC721971 01	RIGHT SIDE PANEL
0015	SC702427 00	REAR PANEL
0016	SC702388 00	BRACKET
0017	SC721949 00	TOP PANEL
0018	SC650900 00	INSULATION
0018	SC660822 00	BIN COVER
0019	SC650806 00	PIVOT
0020	SC660776 00	FRONT LINER
0021	SC721970 00	S.S.FRONT LINER
0022	SC660830 01	CORNER PROTECTION LEFT
0023	SC660830 00	CORNER PROTECTION RIGHT
0024	SC702413 00	BRACKET FRONT
0025	SC721973 00	FRONT PANEL
0025	SC721973 01	FRONT PANEL
0026	SC650850 00	SCOTSMAN EMBLEM
0027	SC660829 00	FRONT SWITCH PLASTIC PROT
0028	SC660804 00	AIR FILTER SEAT
0029	SC660817 00	SLIDE AIR FILTER
0030	SC660805 00	AIR FILTER
0031	SC660814 00	BIN DOOR
0032	SC660286 00	BUSHING
0033	SC660831 00	ANTIBACTERIAS GRILL BAG - NLA
0034	SC650909 00	NO LONGER AVAILABLE
0035	SC650382 01	LEG
0035	SC650670 05	LEGS KIT



Pos	Code	Description
0001	SC702458 00	UNIT BASE
0002	SC782101 01R	STORAGE BIN ASSY
0003	SC660778 00	USE SC660778 02
0004	SC660778 01	USE SC660778 03
0005	SC660775 00	USE SC660775 01
0006	SC650806 05	THUMB SCREW
0007	SC784457 07R	CURTAIN ASSY
0007	SC784457 10R	CURTAIN ASSY - SMALL CUBE
0008	SC660741 00	PLASTIC PLUG
0009	SC460047 00	SPRING
0010	SC732017 00	BULB HOLDER
0011	SC660816 00	SHOCK ABSORBER
0012	SC742033 04	EVAPORATOR COVER
0013	SC721972 01	LEFT SIDE PANEL
0014	SC721971 01	RIGHT SIDE PANEL
0015	SC702427 00	REAR PANEL
0016	SC702462 00	METAL BRACKET
0017	SC721949 00	TOP PANEL
0018	SC650900 00	INSULATION
0018	SC660822 00	BIN COVER
0019	SC650806 00	PIVOT
0020	SC660776 00	FRONT LINER
0021	SC721970 00	S.S.FRONT LINER
0022	SC660830 01	CORNER PROTECTION LEFT
0023	SC660830 00	CORNER PROTECTION RIGHT
0024	SC702413 00	BRACKET FRONT
0025	SC721973 00	FRONT PANEL
0025	SC721973 01	FRONT PANEL
0026	SC650850 00	SCOTSMAN EMBLEM
0027	SC660829 00	FRONT SWITCH PLASTIC PROT
0028	SC660804 00	AIR FILTER SEAT
0029	SC660817 00	SLIDE AIR FILTER
0030	SC660805 00	AIR FILTER
0031	SC660814 00	BIN DOOR
0032	SC660286 00	BUSHING
0033	SC660831 00	ANTIBACTERIAS GRILL BAG - NLA
0034	SC650909 00	NO LONGER AVAILABLE
0035	SC650382 01	LEG
0035	SC650670 05	LEGS KIT

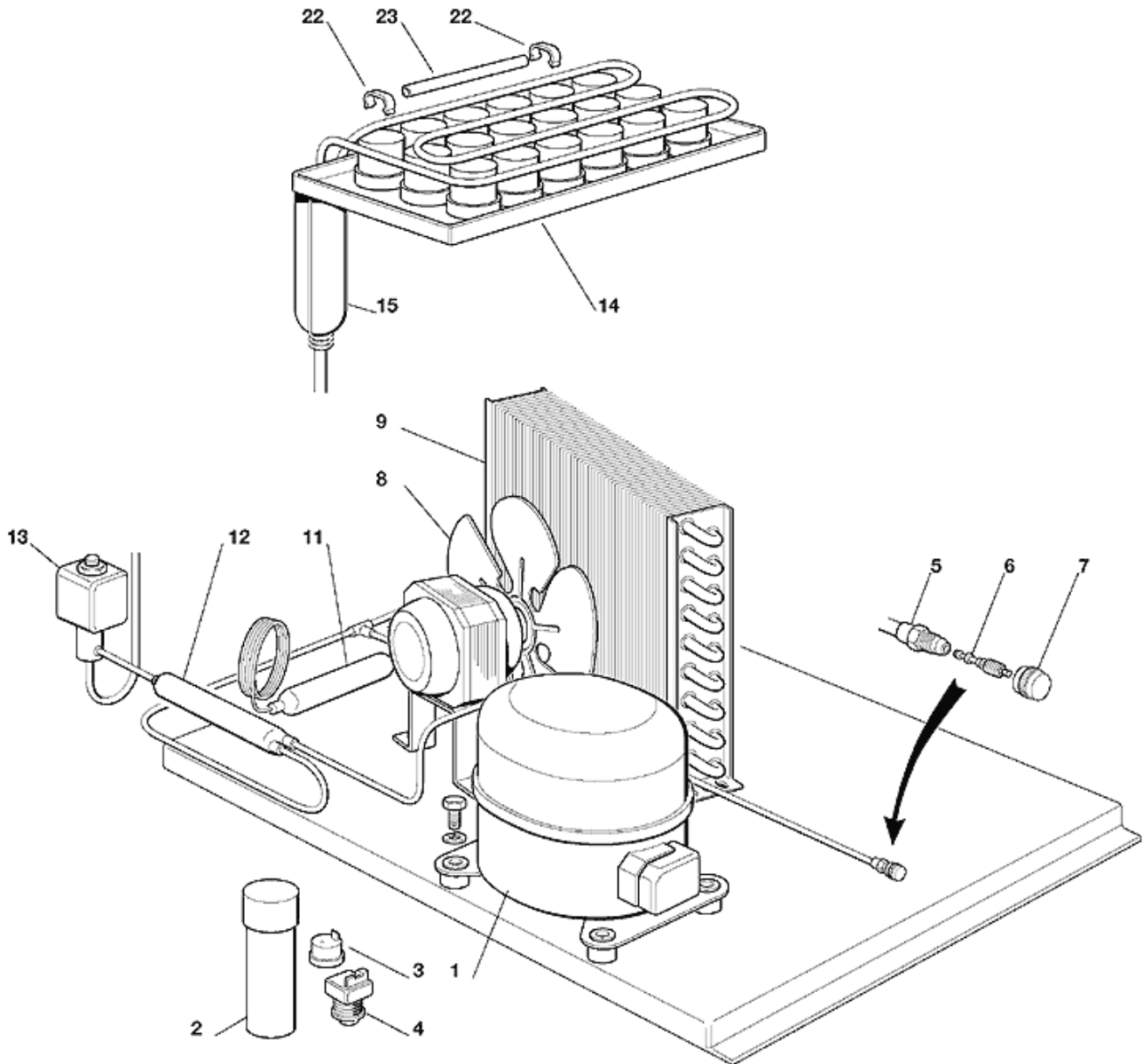


Pos	Code	Description
0001	SC704329 00	BASAMENTO ZINC.EC-46/-56
0002	SC782101 05R	STORAGE BIN ASSY AC 56
0003	SC660778 00	USE SC660778 02
0004	SC660778 01	USE SC660778 03
0005	SC660775 00	USE SC660775 01
0006	SC650806 05	THUMB SCREW
0007	SC784457 07R	CURTAIN ASSY
0007	SC784457 10R	CURTAIN ASSY - SMALL CUBE
0008	SC660741 00	PLASTIC PLUG
0009	SC460047 00	SPRING
0010	SC732017 00	BULB HOLDER
0011	SC660816 00	SHOCK ABSORBER
0012	SC742033 04	EVAPORATOR COVER
0013	SC721972 01	LEFT SIDE PANEL
0014	SC721971 01	RIGHT SIDE PANEL
0015	SC702427 00	REAR PANEL
0016	SC702462 00	METAL BRACKET
0017	SC721949 00	TOP PANEL
0018	SC650900 00	INSULATION
0018	SC660822 00	BIN COVER
0019	SC650806 00	PIVOT
0020	SC660776 00	FRONT LINER
0021	SC721970 00	S.S.FRONT LINER
0022	SC660830 01	CORNER PROTECTION LEFT
0023	SC660830 00	CORNER PROTECTION RIGHT
0024	SC702413 00	BRACKET FRONT
0025	SC722794 00	FRONT PANEL A EC 56
0025	SC722794 01	PANN. FRONT.W EC-56
0026	SC650850 00	SCOTSMAN EMBLEM
0027	SC660829 00	FRONT SWITCH PLASTIC PROT
0028	SC660804 00	AIR FILTER SEAT
0029	SC660817 00	SLIDE AIR FILTER
0030	SC660805 00	AIR FILTER
0031	SC660814 00	BIN DOOR
0032	SC660286 00	BUSHING
0033	SC660831 00	ANTIBACTERIAS GRILL BAG - NLA
0034	SC650909 00	NO LONGER AVAILABLE
0035	SC650382 01	LEG
0035	SC650670 05	LEGS KIT

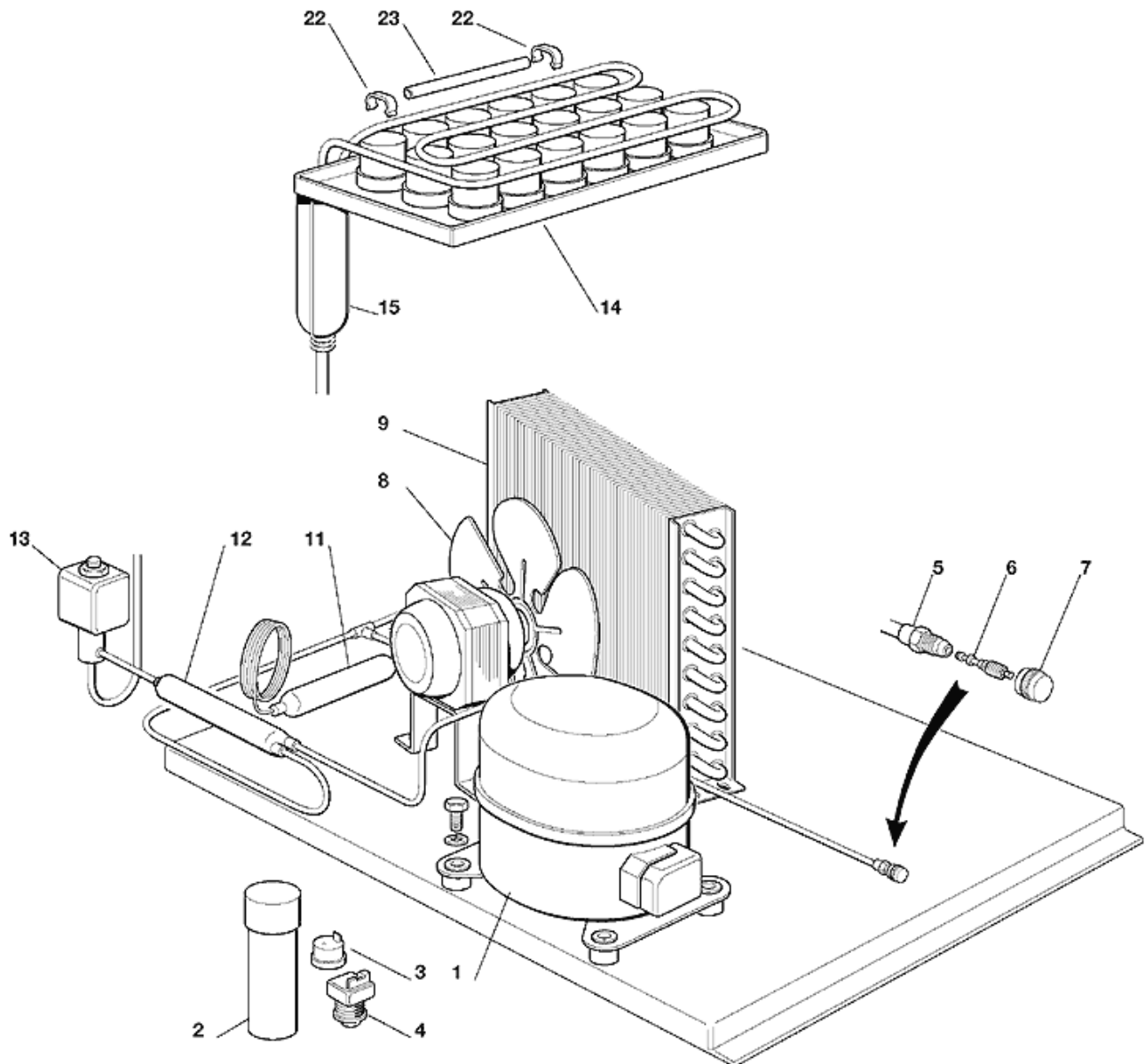


Pos	Code	Description
0001	SC670100 00	COMPRESSOR GL90TB 230/50
0001	SC670100 07	COMPRESSOR 230/60/1
0002	SC620167 01	START.CAP. - 8640161
0002	SCCUB 102661	START CAPACITOR
0003	SC620058 77	PROTECTOR - 8670442
0003	SCCUB 102314	PROTECTOR
0004	SC620057 42	RELAY - 8662664
0004	SCCUB 405175	RELAY
0005	SC650109 00	VALVE BODY
0006	SC670012 00	VALVE CORE
0007	SC650106 00	CAP
0008	SC620419 02	FAN MOTOR ATEX
0008	SC620419 03	FAN MOTOR ATEX
0008	SC620419 32	BLADE
0009	SC620420 00	AIR COOLED CONDENSER
0011	SC630003 03	FILTER
0012	SC630137 00	FILTER
0013	SC620306 27	HOT GAS VALVE BODY
0013	SC620306 48	HOT GAS VALVE COIL
0014	SC784615 01	EVAPORATOR ASSY
0014	SC784622 00	EVAPORATOR ASSY -LARGE CU
0014	SC784645 00	EVAPORATOR ASSY SMALL CUBE
0015	SC784632 01	ACCUMULATOR
0022	SC650475 02	METAL CLIP
0022	SC660386 00	SPRING
0023	SC660465 01	PLUG
0023	SC741114 00R	BULB HOLDER
0023	SC741114 02R	BULB HOLDER

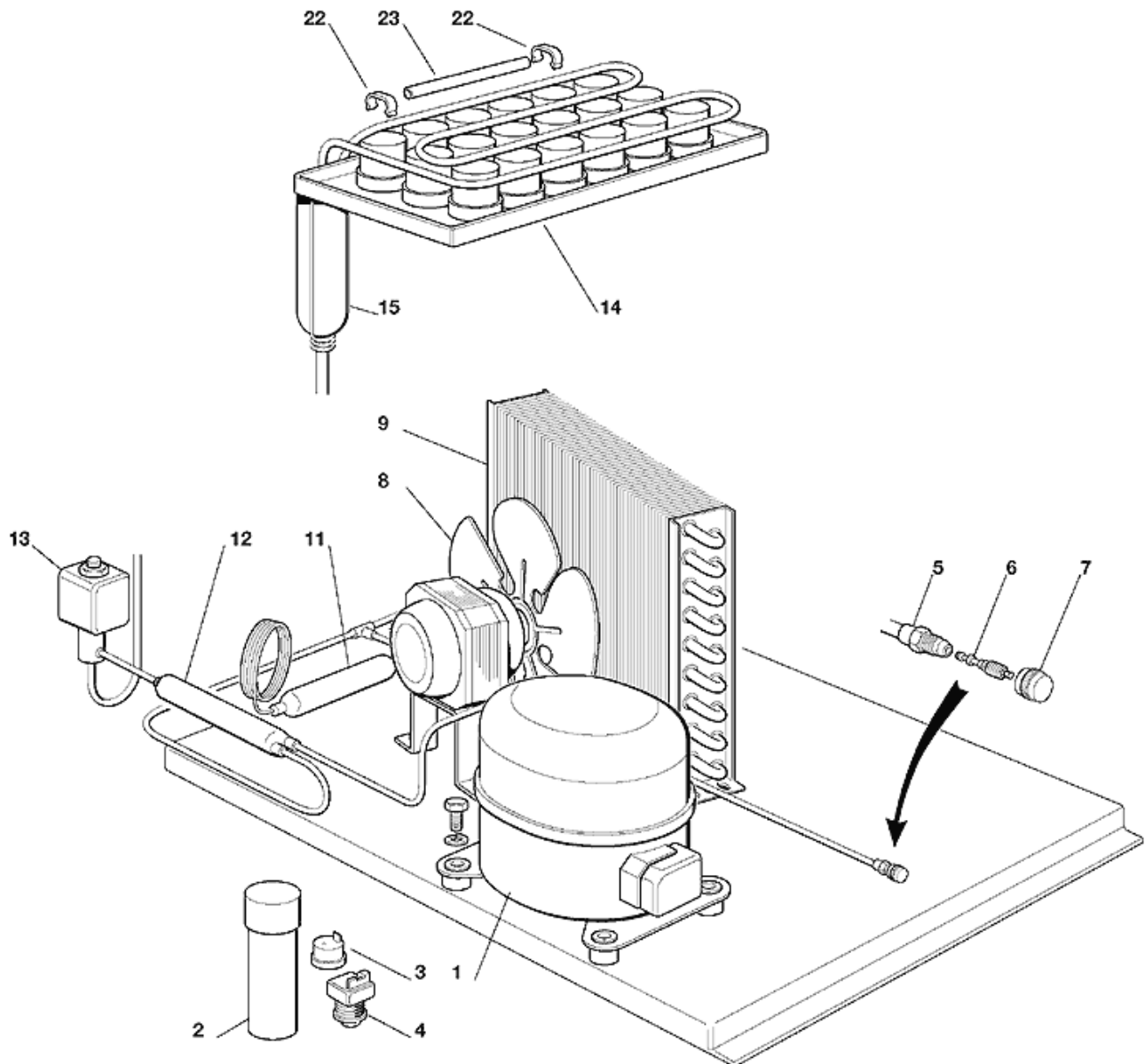




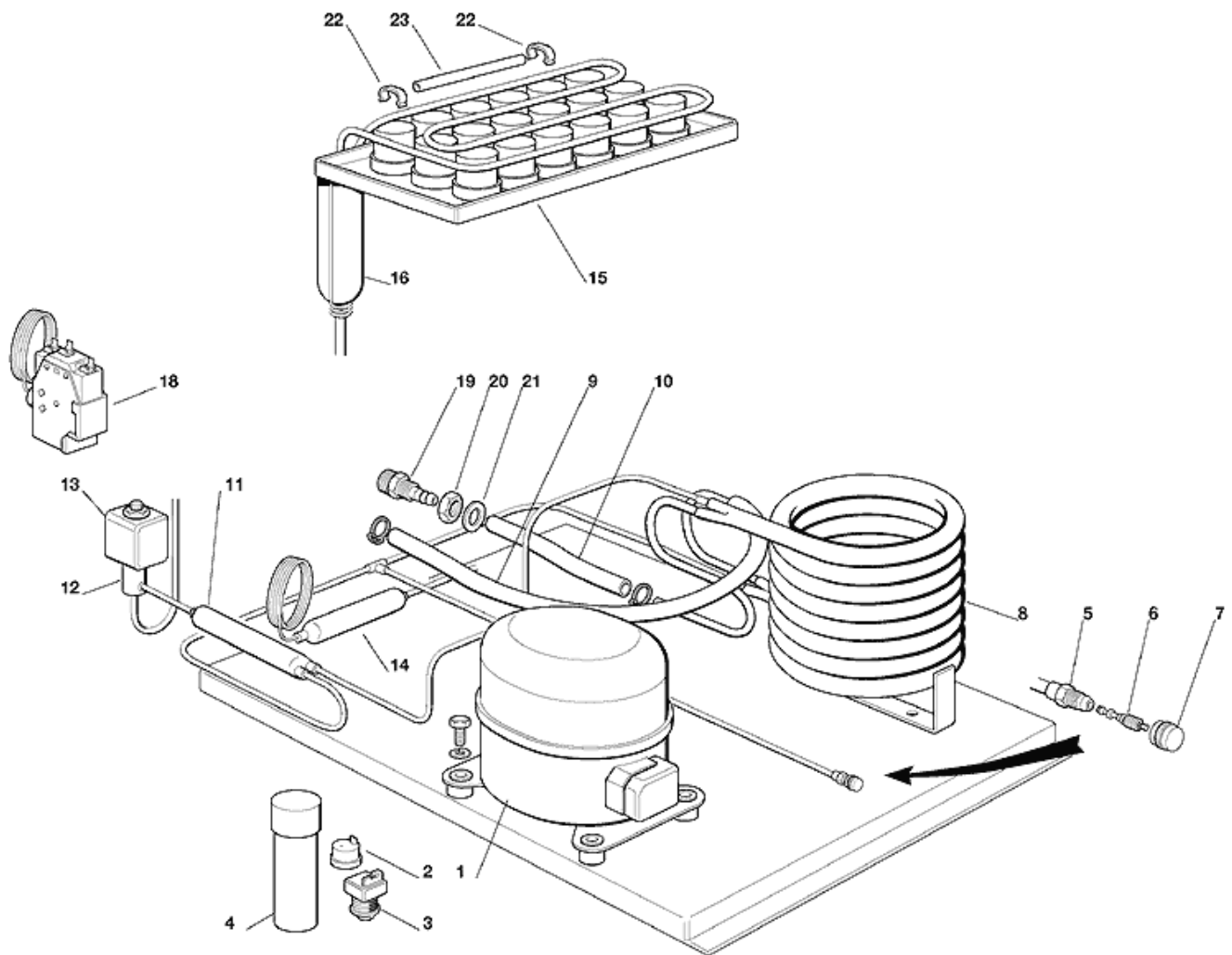
Pos	Code	Description
0001	SC670100 00	COMPRESSOR GL90TB 230/50
0001	SC670100 07	COMPRESSOR 230/60/1
0002	SC620167 01	START.CAP. - 8640161
0002	SCCUB 102661	START CAPACITOR
0003	SC620058 77	PROTECTOR - 8670442
0003	SC620478 05	PROTECTOR - 8570618
0004	SC620057 42	RELAY - 8662664
0004	SCCUB 405175	RELAY
0005	SC650109 00	VALVE BODY
0006	SC670012 00	VALVE CORE
0007	SC650106 00	CAP
0008	SC620419 02	FAN MOTOR ATEX
0008	SC620419 03	FAN MOTOR ATEX
0008	SC620419 32	BLADE
0009	SC620420 00	AIR COOLED CONDENSER
0011	SC630003 03	FILTER
0012	SC630137 00	FILTER
0013	SC620306 27	HOT GAS VALVE BODY
0013	SC620306 48	HOT GAS VALVE COIL
0014	SC784615 01	EVAPORATOR ASSY
0014	SC784622 00	EVAPORATOR ASSY -LARGE CU
0014	SC784645 00	EVAPORATOR ASSY SMALL CUBE
0015	SC784632 01	ACCUMULATOR
0022	SC650475 02	METAL CLIP
0022	SC660386 00	SPRING
0023	SC660465 01	PLUG
0023	SC741114 00R	BULB HOLDER
0023	SC741114 02R	BULB HOLDER



Pos	Code	Description
0001	SC670100 00	COMPRESSOR GL90TB 230/50
0001	SC670100 07	COMPRESSOR 230/60/1
0002	SC620167 01	START.CAP. - 8640161
0002	SCCUB 102661	START CAPACITOR
0003	SC620058 77	PROTECTOR - 8670442
0003	SC620478 11	PROTECTOR - 8570655
0004	SC620057 42	RELAY - 8662664
0004	SC620057 71	RELAY - 8562204
0005	SC650109 00	VALVE BODY
0006	SC670012 00	VALVE CORE
0007	SC650106 00	CAP
0008	SC620419 02	FAN MOTOR ATEX
0008	SC620419 03	FAN MOTOR ATEX
0008	SC620419 32	BLADE
0009	SC620420 00	AIR COOLED CONDENSER
0011	SC630003 03	FILTER
0012	SC630137 00	FILTER
0013	SC620306 27	HOT GAS VALVE BODY
0013	SC620306 48	HOT GAS VALVE COIL
0014	SC784615 01	EVAPORATOR ASSY
0014	SC784622 00	EVAPORATOR ASSY -LARGE CU
0014	SC784645 00	EVAPORATOR ASSY SMALL CUBE
0015	SC784632 01	ACCUMULATOR
0022	SC650475 02	METAL CLIP
0022	SC660386 00	SPRING
0023	SC660465 01	PLUG
0023	SC741114 00R	BULB HOLDER
0023	SC741114 02R	BULB HOLDER

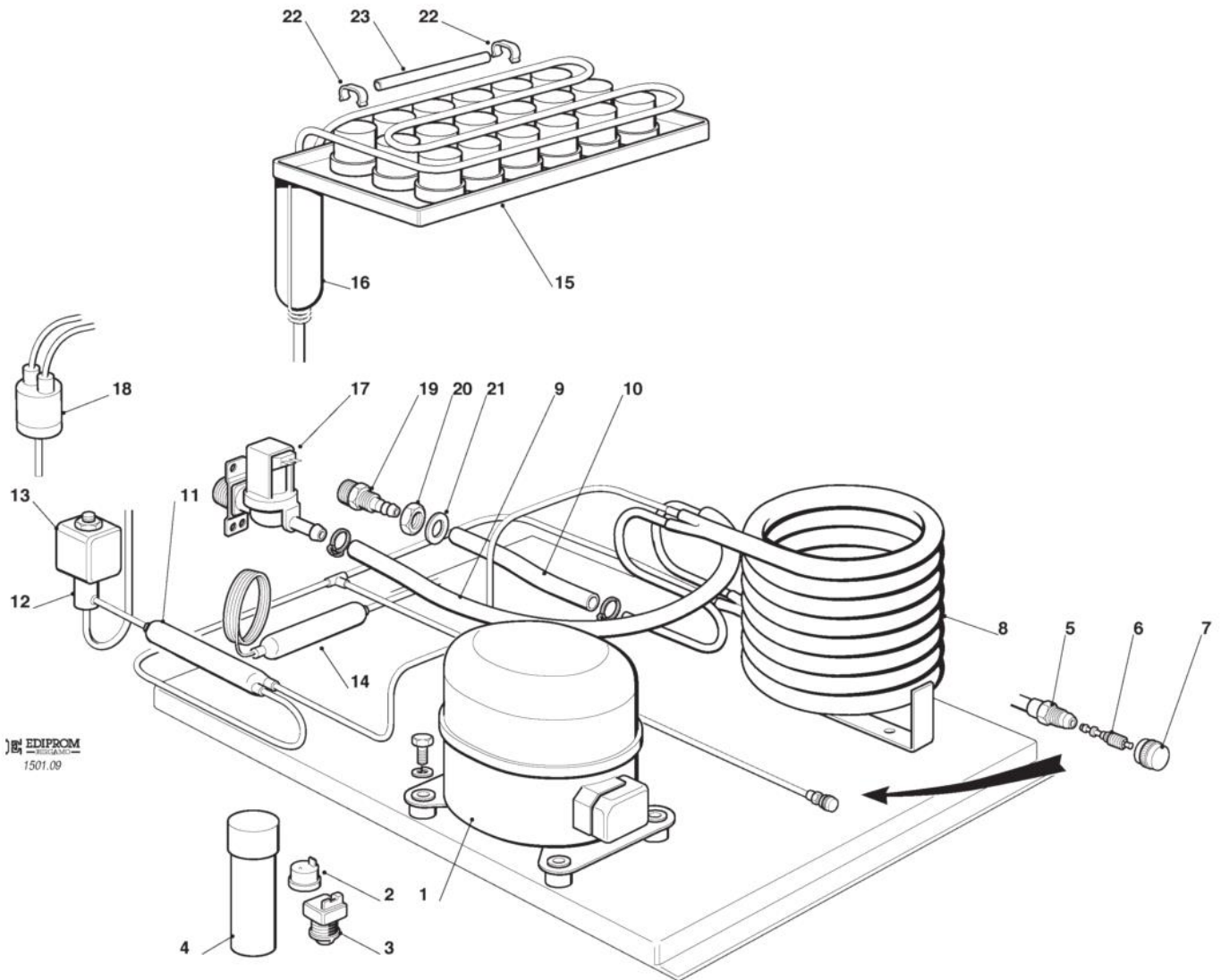


Pos	Code	Description
0001	SC670100 00	COMPRESSOR GL90TB 230/50
0001	SC670100 07	COMPRESSOR 230/60/1
0002	SC620167 01	START.CAP. - 8640161
0002	SCCUB 102661	START CAPACITOR
0003	SC620058 77	PROTECTOR - 8670442
0003	SCCUB 102314	PROTECTOR
0004	SC620057 42	RELAY - 8662664
0004	SCCUB 405175	RELAY
0005	SC650109 00	VALVE BODY
0006	SC670012 00	VALVE CORE
0007	SC650106 00	CAP
0008	SC620419 02	FAN MOTOR ATEX
0008	SC620419 03	FAN MOTOR ATEX
0008	SC620419 32	BLADE
0009	SC620420 00	AIR COOLED CONDENSER
0011	SC630003 03	FILTER
0012	SC630137 00	FILTER
0013	SC620306 27	HOT GAS VALVE BODY
0013	SC620306 48	HOT GAS VALVE COIL
0014	SC784615 01	EVAPORATOR ASSY
0014	SC784622 00	EVAPORATOR ASSY -LARGE CU
0014	SC784645 00	EVAPORATOR ASSY SMALL CUBE
0015	SC784632 01	ACCUMULATOR
0022	SC650475 02	METAL CLIP
0022	SC660386 00	SPRING
0023	SC660465 01	PLUG
0023	SC741114 00R	BULB HOLDER
0023	SC741114 02R	BULB HOLDER

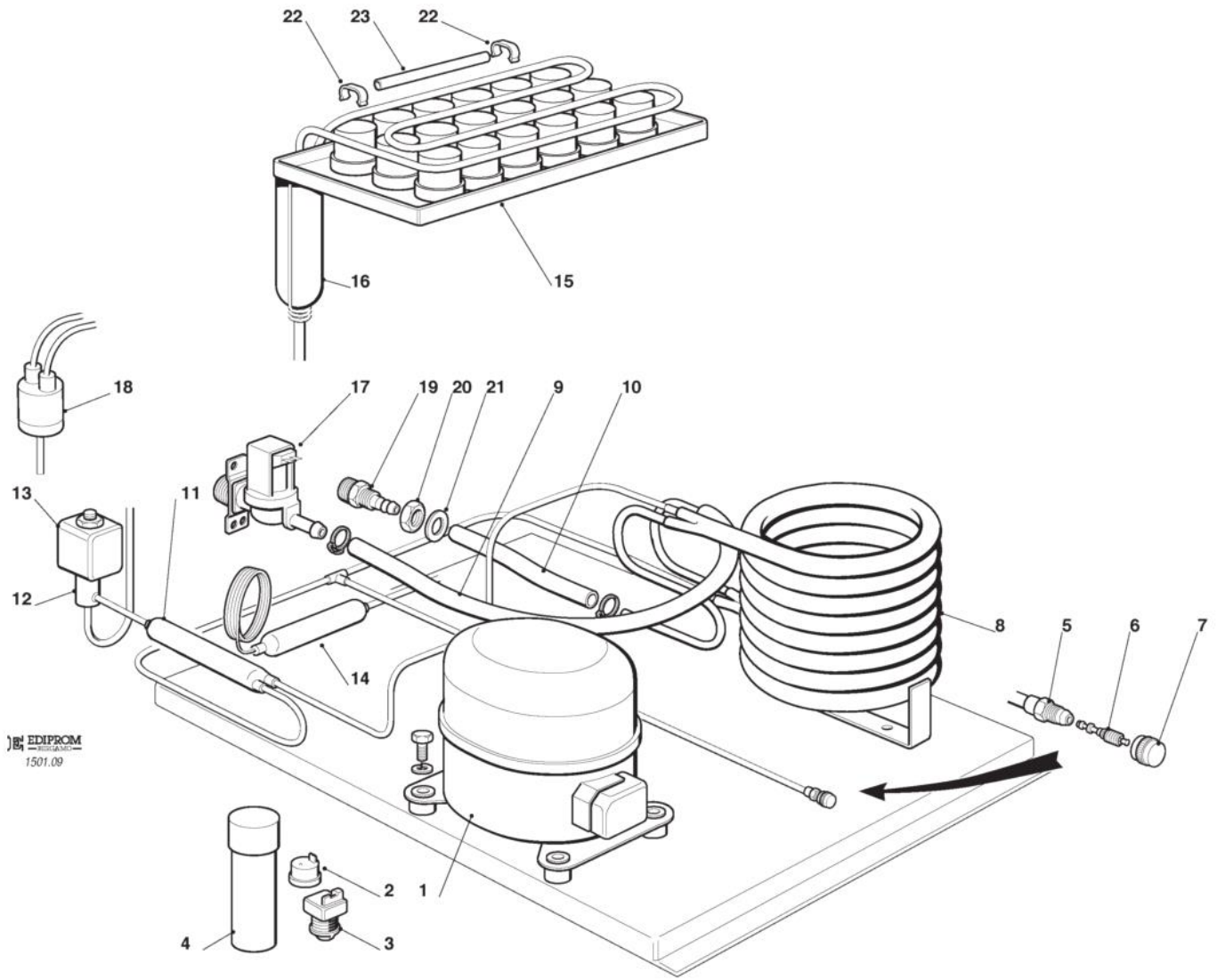


Pos	Code	Description
0001	SC670100 00	COMPRESSOR GL90TB 230/50
0001	SC670100 07	COMPRESSOR 230/60/1
0002	SC620058 77	PROTECTOR - 8670442
0002	SCCUB 102314	PROTECTOR
0003	SC620057 42	RELAY - 8662664
0003	SCCUB 405175	RELAY
0004	SC620167 01	START.CAP. - 8640161
0004	SCCUB 102661	START CAPACITOR
0005	SC650109 00	VALVE BODY
0006	SC670012 00	VALVE CORE
0007	SC650106 00	CAP
0008	SC620389 00	WATER COOLED CONDENSER
0009	SC281900 01	TUBE 16X10
0010	SC281900 01	TUBE 16X10
0011	SC630137 00	FILTER
0012	SC620306 27	HOT GAS VALVE BODY
0013	SC620306 48	HOT GAS VALVE COIL
0014	SC630003 03	FILTER
0015	SC784615 01	EVAPORATOR ASSY
0015	SC784622 00	EVAPORATOR ASSY -LARGE CU
0015	SC784645 00	EVAPORATOR ASSY SMALL CUBE
0016	SC784632 01	ACCUMULATOR
0018	SC620075 00	PRESSOSTAT
0019	SC660291 00	TEE TUBE (D13)
0020	SC400030 01	NUT
0021	SC400031 00	WASHER
0022	SC650475 02	METAL CLIP
0022	SC660386 00	SPRING
0023	SC660465 01	PLUG
0023	SC741114 00R	BULB HOLDER
0023	SC741114 02R	BULB HOLDER

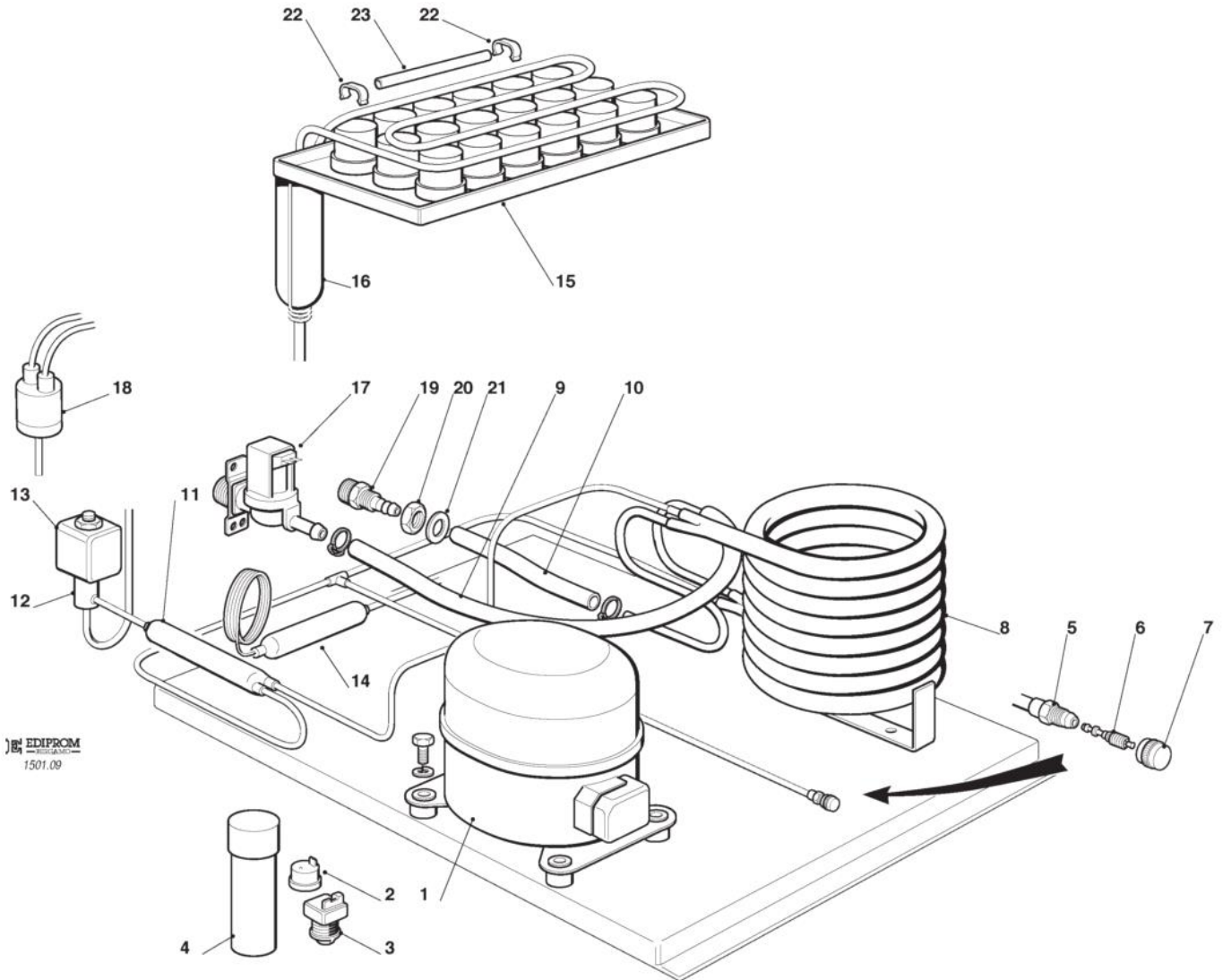




Pos	Code	Description
0001	SC670100 00	COMPRESSOR GL90TB 230/50
0001	SC670100 07	COMPRESSOR 230/60/1
0002	SC620058 77	PROTECTOR - 8670442
0002	SC620478 05	PROTECTOR - 8570618
0003	SC620057 42	RELAY - 8662664
0003	SCCUB 405175	RELAY
0004	SCCUB 102661	START CAPACITOR
0005	SC650109 00	VALVE BODY
0006	SC670012 00	VALVE CORE
0007	SC650106 00	CAP
0008	SC620389 00	WATER COOLED CONDENSER
0009	SC281900 01	TUBE 16X10
0010	SC281900 01	TUBE 16X10
0011	SC630137 00	FILTER
0012	SC620306 27	HOT GAS VALVE BODY
0013	SC620306 48	HOT GAS VALVE COIL
0014	SC630003 03	FILTER
0015	SC784615 01	EVAPORATOR ASSY
0015	SC784622 00	EVAPORATOR ASSY -LARGE CU
0015	SC784645 00	EVAPORATOR ASSY SMALL CUBE
0016	SC784632 01	ACCUMULATOR
0017	SC650105 74	WATER INLET VALVE
0018	SC620075 00	PRESSOSTAT
0019	SC660291 00	TEE TUBE (D13)
0020	SC400030 01	NUT
0021	SC400031 00	WASHER
0022	SC660386 00	SPRING
0023	SC660465 01	PLUG
0023	SC741114 00R	BULB HOLDER
0023	SC741114 02R	BULB HOLDER

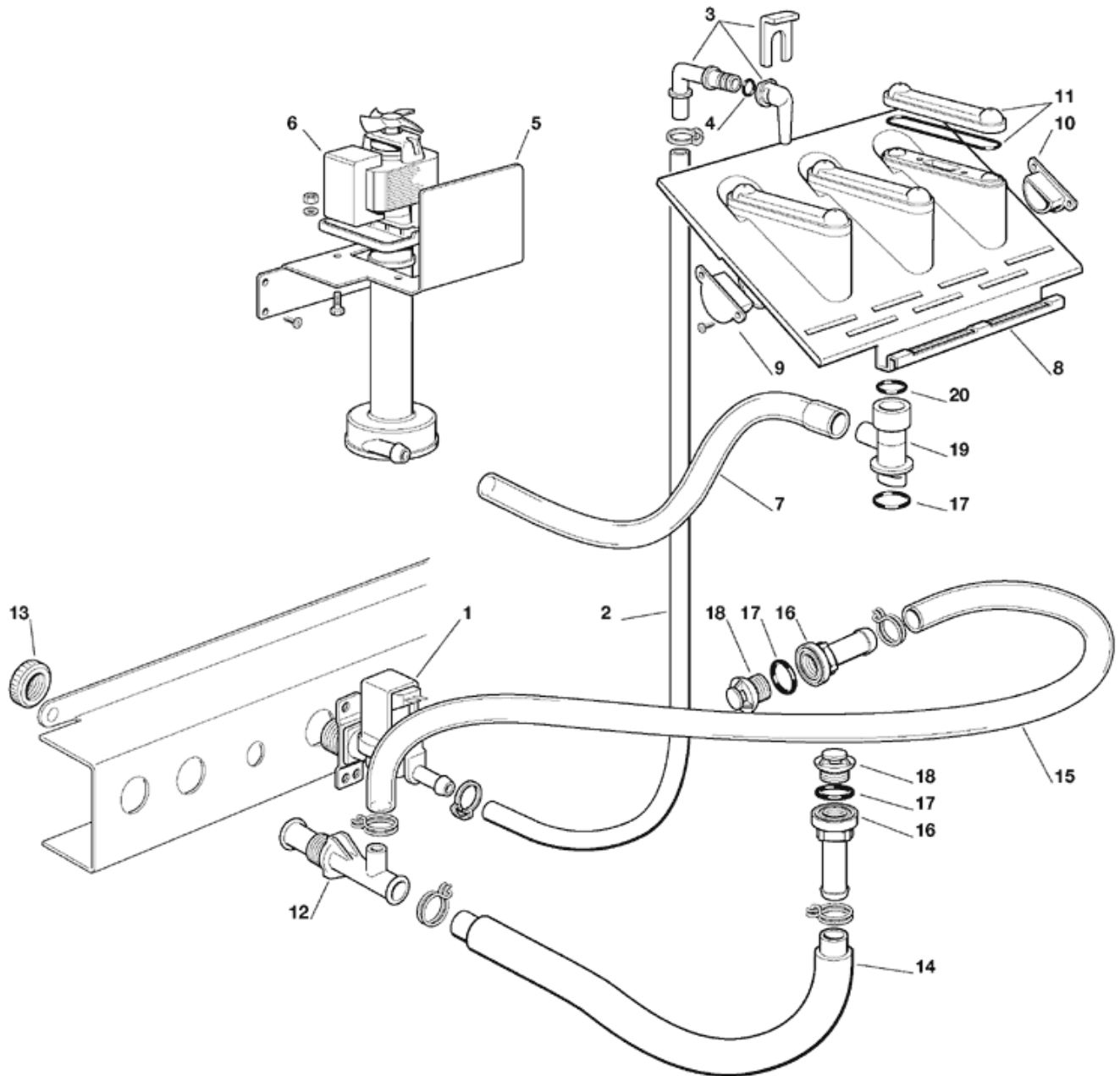


Pos	Code	Description
0001	SC670100 00	COMPRESSOR GL90TB 230/50
0001	SC670100 07	COMPRESSOR 230/60/1
0002	SC620058 77	PROTECTOR - 8670442
0002	SCCUB 102197	PROTECTOR
0003	SC620057 42	RELAY - 8662664
0003	SC620057 71	RELAY - 8562204
0004	SCCUB 102661	START CAPACITOR
0005	SC650109 00	VALVE BODY
0006	SC670012 00	VALVE CORE
0007	SC650106 00	CAP
0008	SC620389 00	WATER COOLED CONDENSER
0009	SC281900 01	TUBE 16X10
0010	SC281900 01	TUBE 16X10
0011	SC630137 00	FILTER
0012	SC620306 27	HOT GAS VALVE BODY
0013	SC620306 48	HOT GAS VALVE COIL
0014	SC630003 03	FILTER
0015	SC784615 01	EVAPORATOR ASSY
0015	SC784622 00	EVAPORATOR ASSY -LARGE CU
0015	SC784645 00	EVAPORATOR ASSY SMALL CUBE
0016	SC784632 01	ACCUMULATOR
0017	SC650105 74	WATER INLET VALVE
0018	SC620075 00	PRESSOSTAT
0019	SC660291 00	TEE TUBE (D13)
0020	SC400030 01	NUT
0021	SC400031 00	WASHER
0022	SC660386 00	SPRING
0023	SC660465 01	PLUG
0023	SC741114 00R	BULB HOLDER
0023	SC741114 02R	BULB HOLDER



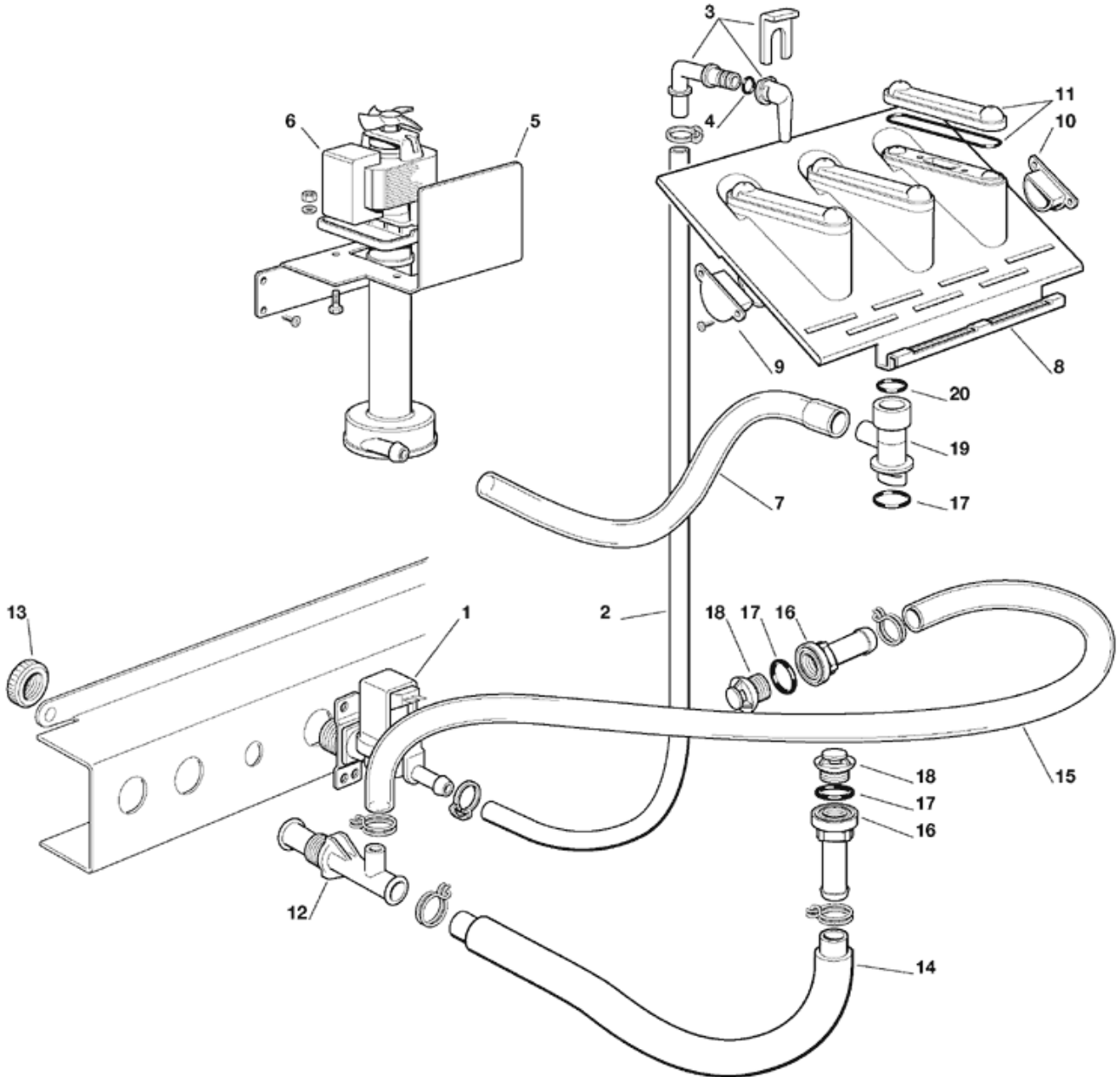
EDIPROM  
1501.09

Pos	Code	Description
0001	SC670100 00	COMPRESSOR GL90TB 230/50
0001	SC670100 07	COMPRESSOR 230/60/1
0002	SC620058 77	PROTECTOR - 8670442
0002	SCCUB 102314	PROTECTOR
0003	SC620057 42	RELAY - 8662664
0003	SCCUB 405175	RELAY
0004	SCCUB 102661	START CAPACITOR
0005	SC650109 00	VALVE BODY
0006	SC670012 00	VALVE CORE
0007	SC650106 00	CAP
0008	SC620389 00	WATER COOLED CONDENSER
0009	SC281900 01	TUBE 16X10
0010	SC281900 01	TUBE 16X10
0011	SC630137 00	FILTER
0012	SC620306 27	HOT GAS VALVE BODY
0013	SC620306 48	HOT GAS VALVE COIL
0014	SC630003 03	FILTER
0015	SC784615 01	EVAPORATOR ASSY
0015	SC784622 00	EVAPORATOR ASSY -LARGE CU
0015	SC784645 00	EVAPORATOR ASSY SMALL CUBE
0016	SC784632 01	ACCUMULATOR
0017	SC650105 74	WATER INLET VALVE
0018	SC620075 00	PRESSOSTAT
0019	SC660291 00	TEE TUBE (D13)
0020	SC400030 01	NUT
0021	SC400031 00	WASHER
0022	SC660386 00	SPRING
0023	SC660465 01	PLUG
0023	SC741114 00R	BULB HOLDER
0023	SC741114 02R	BULB HOLDER

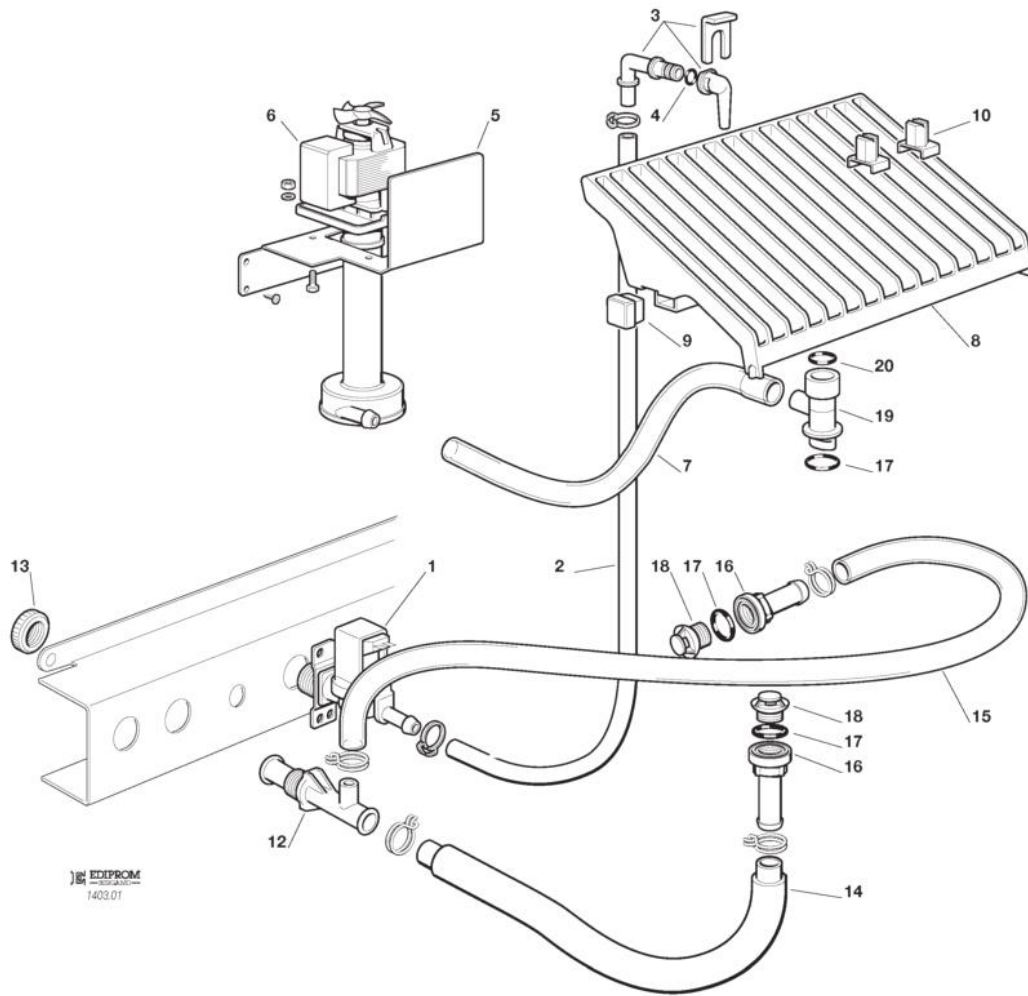


Pos	Code	Description
0001	SC650105 65	WATER INLET VALVE
0001	SC650105 70	WATER INLET VALVE
0002	SC281900 01	TUBE 16X10
0003	SC793172 00R	WATER INLET ASSY
0004	SC640041 31	O RING OR 2031 (WRAS-FDA)
0005	SC721986 00	PUMP BRACKET
0006	SC620423 01R	WATER PUMP ATEX
0006	SC620433 01	WATER PUMP 230V/60HZ/1PH
0007	SC610150 04	USE SC610150 08
0008	SC793129 09	USE SC793129 10
0009	SC660520 07	NO LONGER AVAILABLE
0010	SC660520 06	NO LONGER AVAILABLE
0011	SC060529 01	USE SC060529 00
0012	SC660224 00	TEE TUBE
0013	SC660535 00	PLASTIC NUT
0014	SC610148 10	TUBE
0015	SC610204 00	TUBE
0016	SC660219 01	BIN DRAIN
0017	SC640134 00	O RING
0018	SC660211 01	DRAIN FILTER
0019	SC660777 02	SPRAY PLATEN SEAT
0020	SC640041 32	O RING

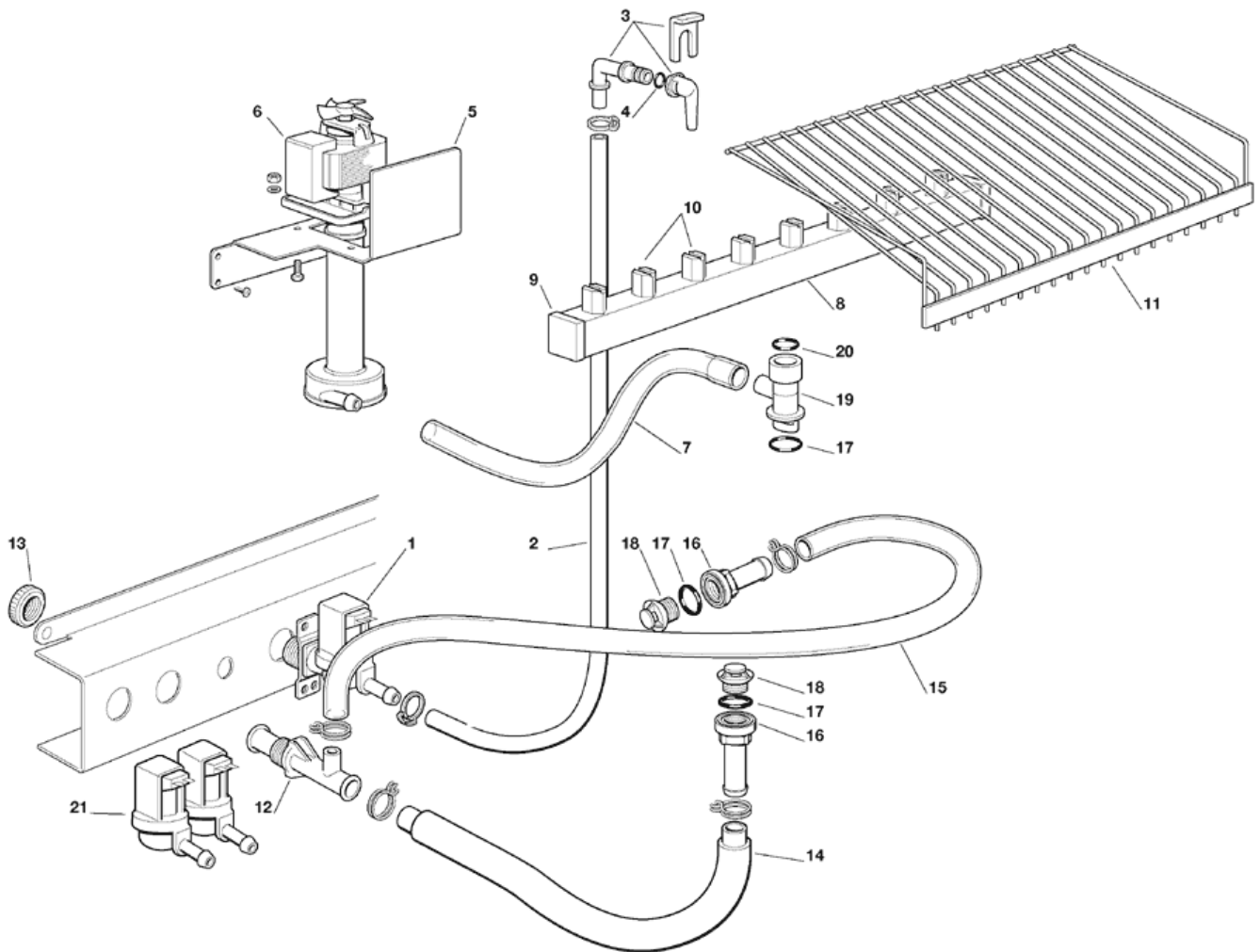




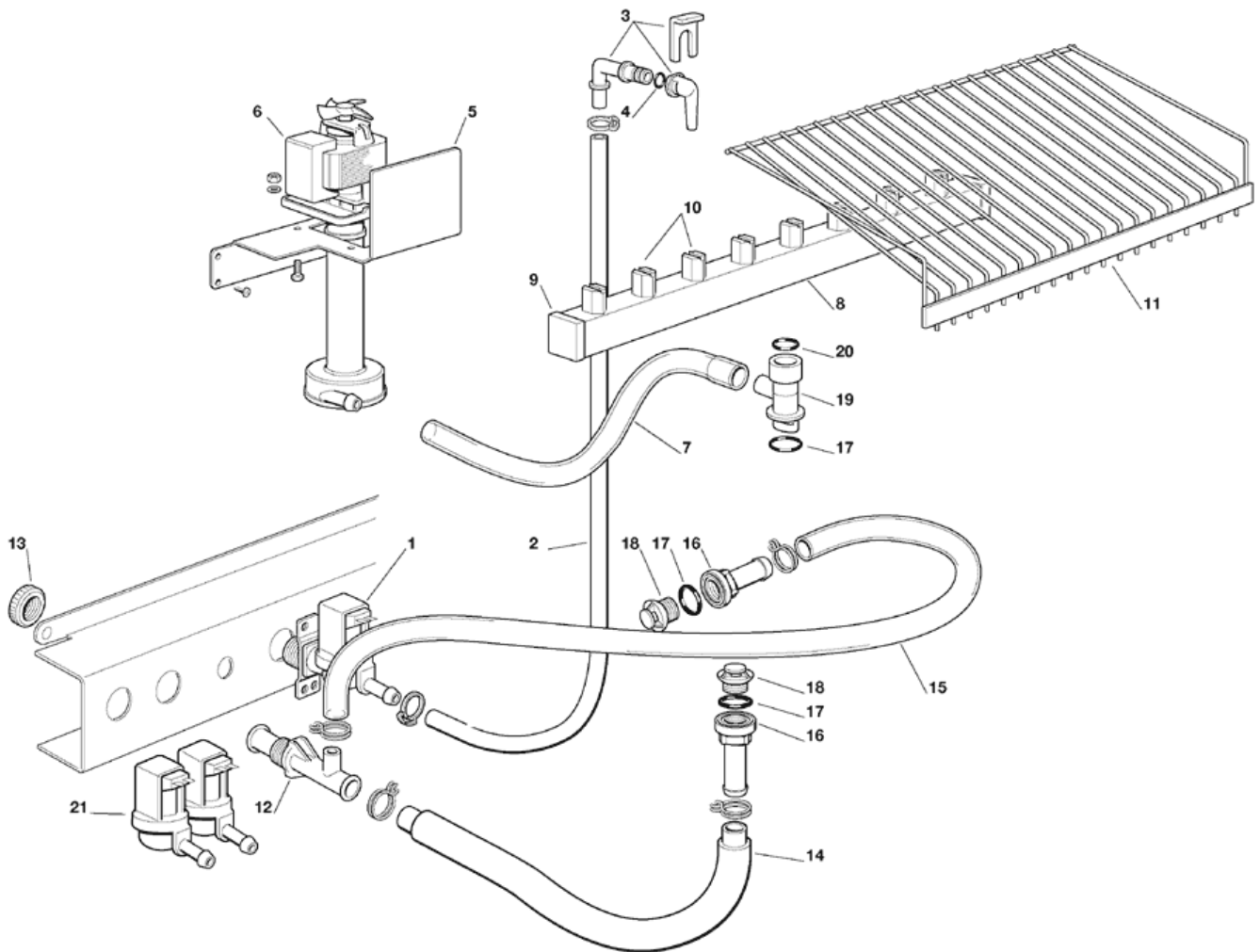
Pos	Code	Description
0001	SC650105 65	WATER INLET VALVE
0001	SC650105 74	WATER INLET VALVE
0002	SC281900 01	TUBE 16X10
0003	SC793172 00R	WATER INLET ASSY
0004	SC640041 31	O RING OR 2031 (WRAS-FDA)
0005	SC721986 00	PUMP BRACKET
0006	SC620423 01R	WATER PUMP ATEX
0006	SC620433 01	WATER PUMP 230V/60HZ/1PH
0007	SC610150 04	USE SC610150 08
0008	SC793129 09	USE SC793129 10
0009	SC660520 07	NO LONGER AVAILABLE
0010	SC660520 06	NO LONGER AVAILABLE
0011	SC060529 01	USE SC060529 00
0012	SC660224 00	TEE TUBE
0013	SC660535 00	PLASTIC NUT
0014	SC610148 10	TUBE
0015	SC610204 00	TUBE
0016	SC660219 01	BIN DRAIN
0017	SC640134 00	O RING
0018	SC660211 01	DRAIN FILTER
0019	SC660777 02	SPRAY PLATEN SEAT
0020	SC640041 32	O RING



Pos	Code	Description
0001	SC650105 65	WATER INLET VALVE
0001	SC650105 74	WATER INLET VALVE
0002	SC281900 01	TUBE 16X10
0003	SC793172 00R	WATER INLET ASSY
0004	SC640041 31	O RING OR 2031 (WRAS-FDA)
0005	SC721986 00	PUMP BRACKET
0006	SC620423 01R	WATER PUMP ATEX
0006	SC620433 01	WATER PUMP 230V/60HZ/1PH
0007	SC610150 04	USE SC610150 08
0008	SC661082 00	SPRAY BAR & CHUTE
0009	SC660557 00	SPRAY CUP
0010	SC660558 00R	SPRAY NOZZLE ( PACK OF 10 PCS)
0012	SC660224 00	TEE TUBE
0013	SC660535 00	PLASTIC NUT
0014	SC610148 10	TUBE
0015	SC610204 00	TUBE
0016	SC660219 01	BIN DRAIN
0017	SC640134 00	O RING
0018	SC660211 01	DRAIN FILTER
0019	SC660777 03	FITTING
0020	SC640041 32	O RING

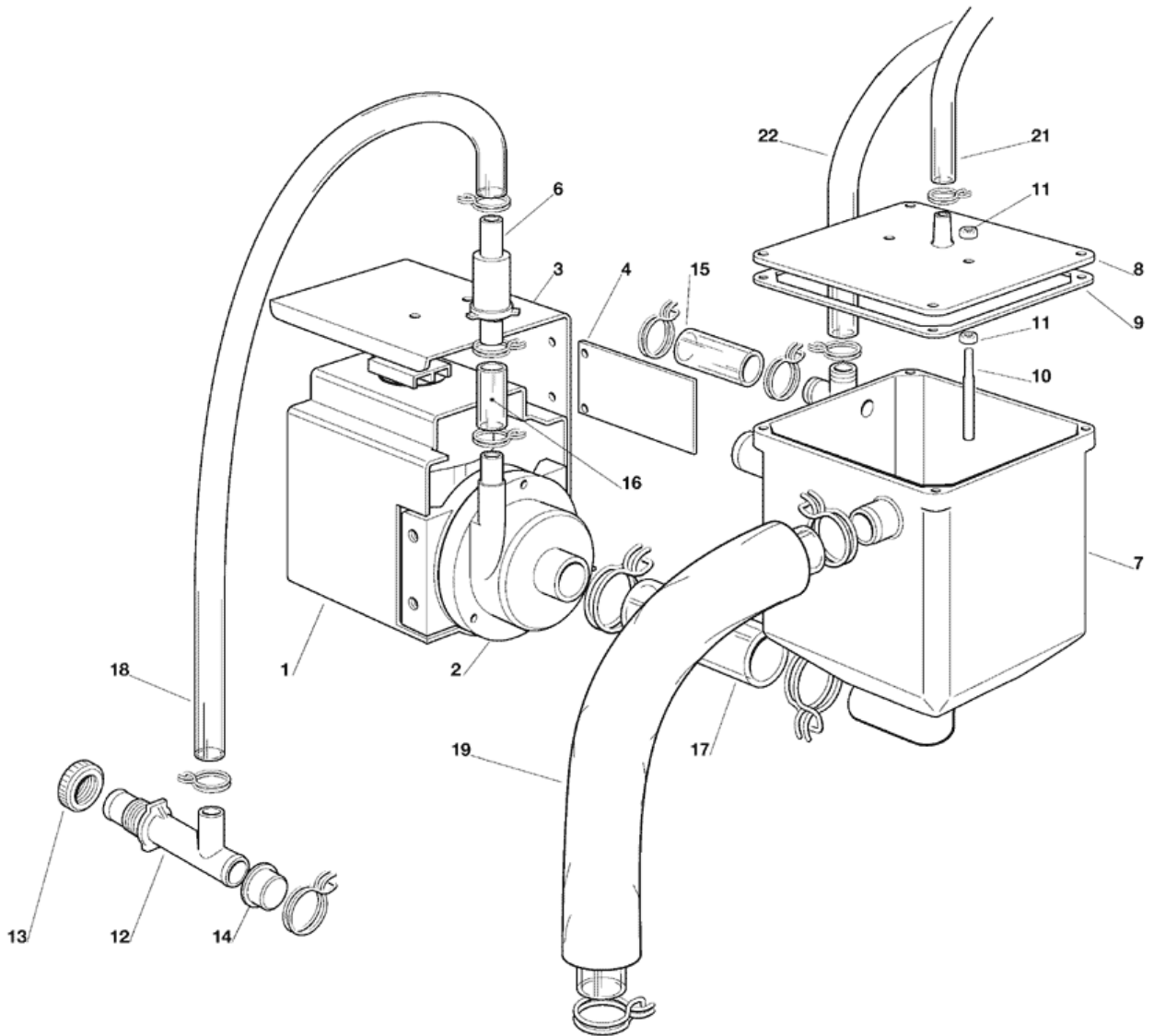


Pos	Code	Description
0001	SC650105 64	WATER INLET VALVE
0002	SC281900 01	TUBE 16X10
0003	SC793172 00R	WATER INLET ASSY
0004	SC640041 31	O RING OR 2031 (WRAS-FDA)
0005	SC721937 00	PUMP BRACKET
0006	SC620423 01R	WATER PUMP ATEX
0007	SC610150 04	USE SC610150 08
0008	SC650665 31	SPRAY TUBE
0008	SC650951 00	SPRAY BAR SMALL CUBES
0009	SC660557 00	SPRAY CUP
0010	SC660558 00R	SPRAY NOZZLE ( PACK OF 10 PCS)
0011	SC650859 00	ICE DEFLECTOR
0011	SC650937 00	CUBE DEFLECTOR SMALL
0012	SC660224 00	TEE TUBE
0013	SC660535 00	PLASTIC NUT
0014	SC610148 10	TUBE
0015	SC610204 00	TUBE
0016	SC660219 02	DRAIN FITTING
0017	SC640134 00	O RING
0018	SC660211 01	DRAIN FILTER
0019	SC660777 03	FITTING
0020	SC640041 32	O RING
0021	SC650105 70	WATER INLET VALVE

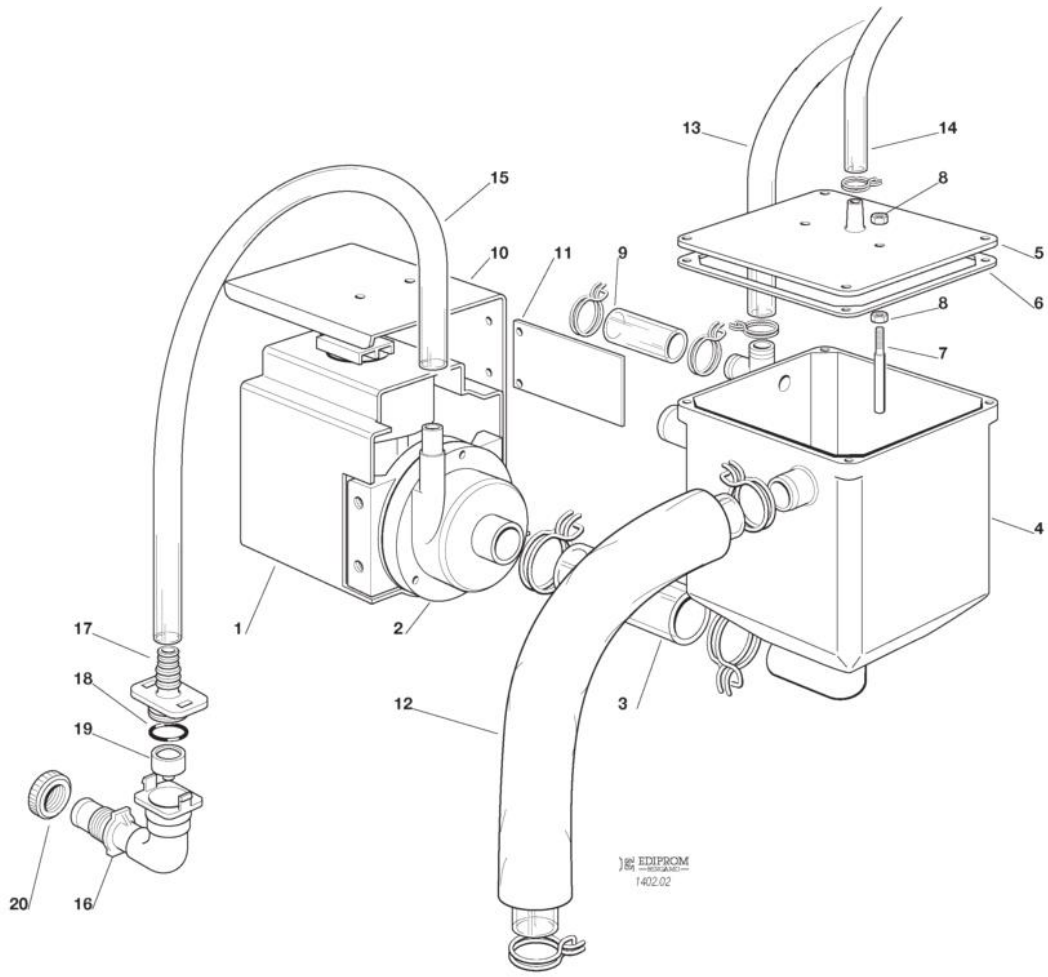


Pos	Code	Description
0001	SC650105 64	WATER INLET VALVE
0002	SC281900 01	TUBE 16X10
0003	SC793172 00R	WATER INLET ASSY
0004	SC640041 31	O RING OR 2031 (WRAS-FDA)
0005	SC721937 00	PUMP BRACKET
0006	SC620423 01R	WATER PUMP ATEX
0007	SC610150 04	USE SC610150 08
0008	SC650665 31	SPRAY TUBE
0008	SC650951 00	SPRAY BAR SMALL CUBES
0009	SC660557 00	SPRAY CUP
0010	SC660558 00R	SPRAY NOZZLE ( PACK OF 10 PCS)
0011	SC650859 00	ICE DEFLECTOR
0011	SC650937 00	CUBE DEFLECTOR SMALL
0012	SC660224 00	TEE TUBE
0013	SC660535 00	PLASTIC NUT
0014	SC610148 10	TUBE
0015	SC610204 00	TUBE
0016	SC660219 02	DRAIN FITTING
0017	SC640134 00	O RING
0018	SC660211 01	DRAIN FILTER
0019	SC660777 03	FITTING
0020	SC640041 32	O RING
0021	SC650105 74	WATER INLET VALVE

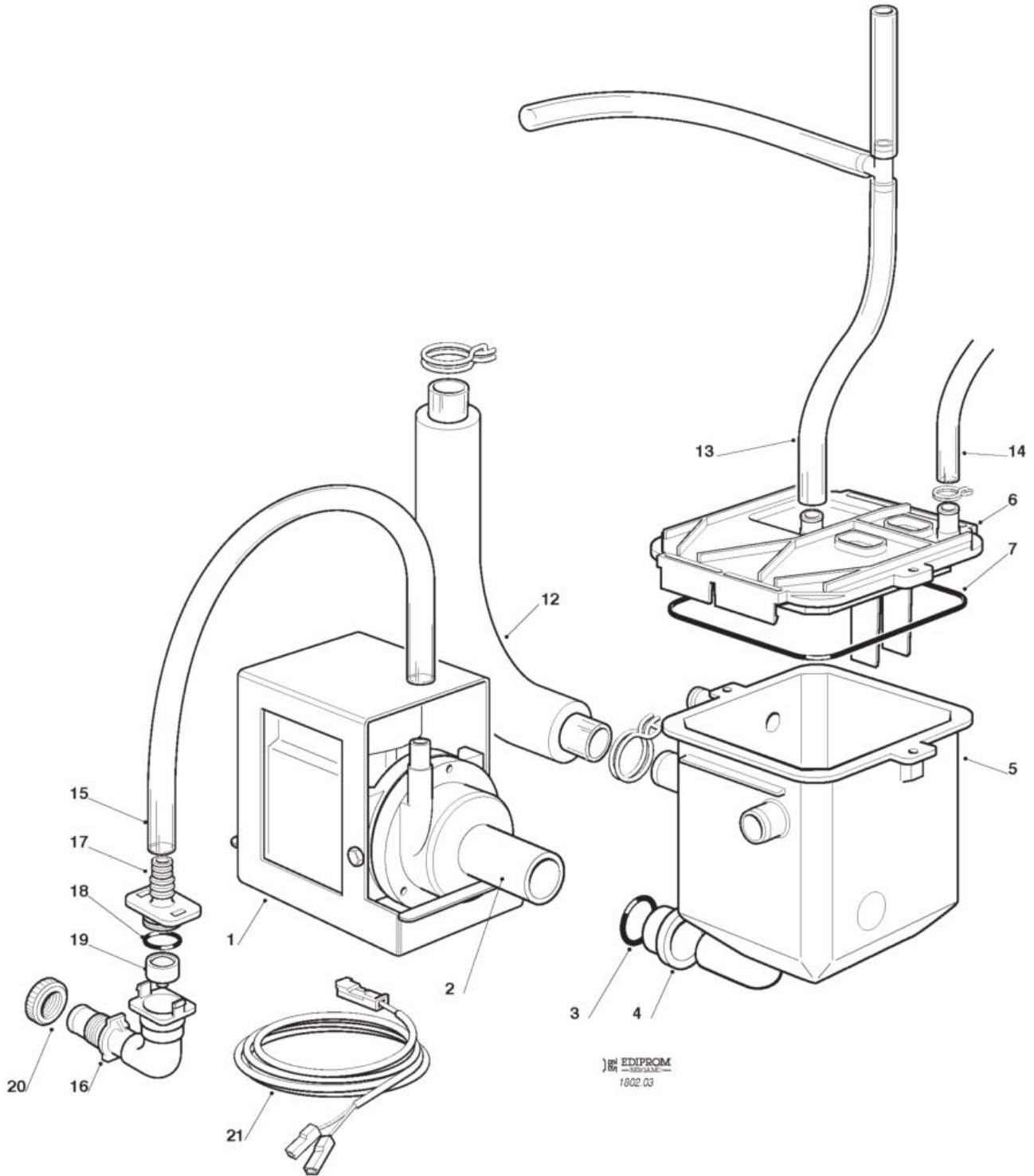




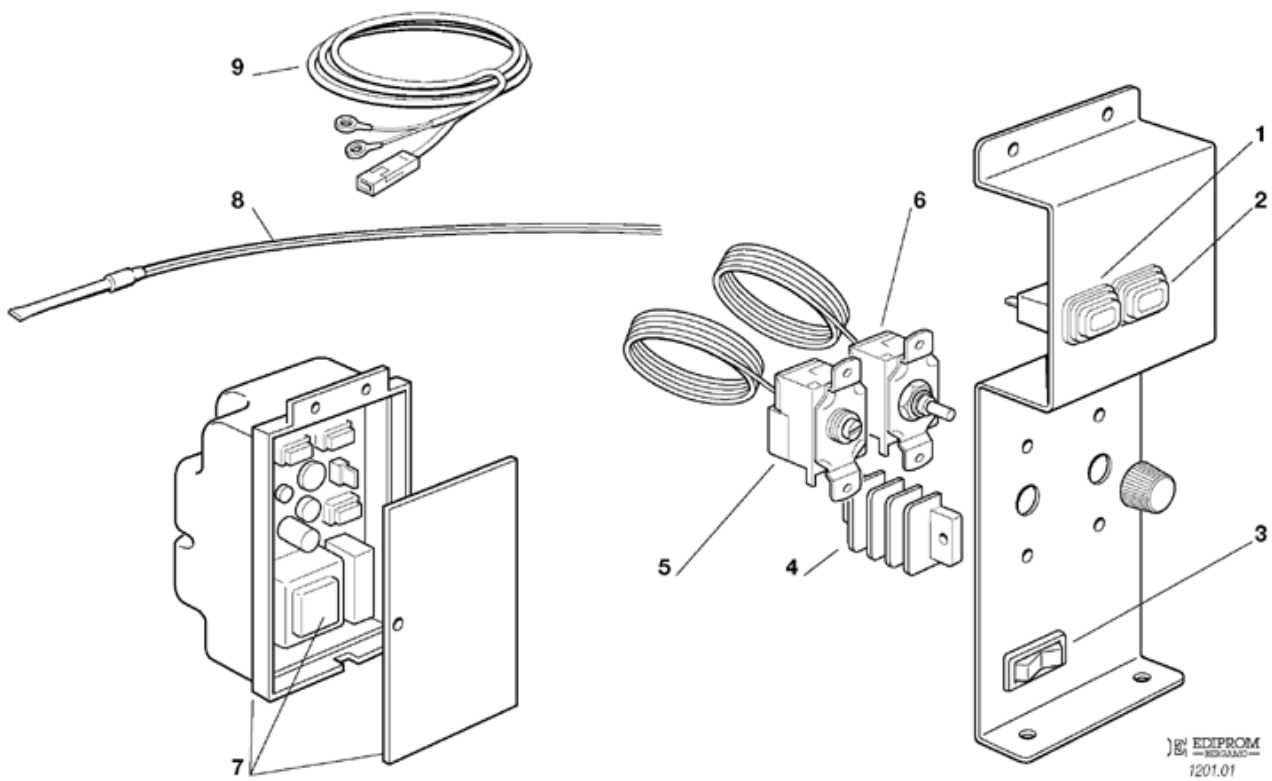
Pos	Code	Description
0001	SC620471 00	PUMP
0001	SC620471 01	WATER PUMP
0003	SC702317 00	BRACKET PUMP
0004	SC723163 00	BRACKET
0006	SC793230 00R	WATER DRAIN N CHECK VALVE
0007	SC660710 00	USE SC060831 00
0008	SC060602 00	COVER ASSY, PWD
0009	SC640140 00	GASKET - NLA
0010	SC724215 11	METAL PIN
0011	SC430031 00	NUT
0012	SC660224 00	TEE TUBE
0013	SC660535 00	PLASTIC NUT
0014	SC650173 02	NO LONGER AVAILABLE
0016	SC281900 01	TUBE 16X10
0017	SC610148 10	TUBE
0018	SC610171 02	PLASTIC HOSE
0019	SC610148 10	TUBE
0021	SC281830 06	TUBE PVC
0022	SC610204 00	TUBE



Pos	Code	Description
0001	SC620471 00	PUMP
0001	SC620471 01	WATER PUMP
0003	SC610148 10	TUBE
0004	SC660710 00	USE SC060831 00
0005	SC060602 00	COVER ASSY, PWD
0006	SC640140 00	GASKET - NLA
0007	SC724215 11	METAL PIN
0008	SC430031 00	NUT
0010	SC702317 00	BRACKET PUMP
0011	SC723163 00	BRACKET
0012	SC610148 10	TUBE
0013	SC610204 00	TUBE
0014	SC281830 06	TUBE PVC
0015	SC610171 02	PLASTIC HOSE
0016	SC661104 00	WATER DRAIN FITTING-ELBOW
0017	SC661104 01	WATER INLET FITTING
0018	SC640041 43	O RING OR 2087 (WRAS-FDA)
0019	SC651444 00	NON RETURN VALVE
0020	SC660535 00	PLASTIC NUT

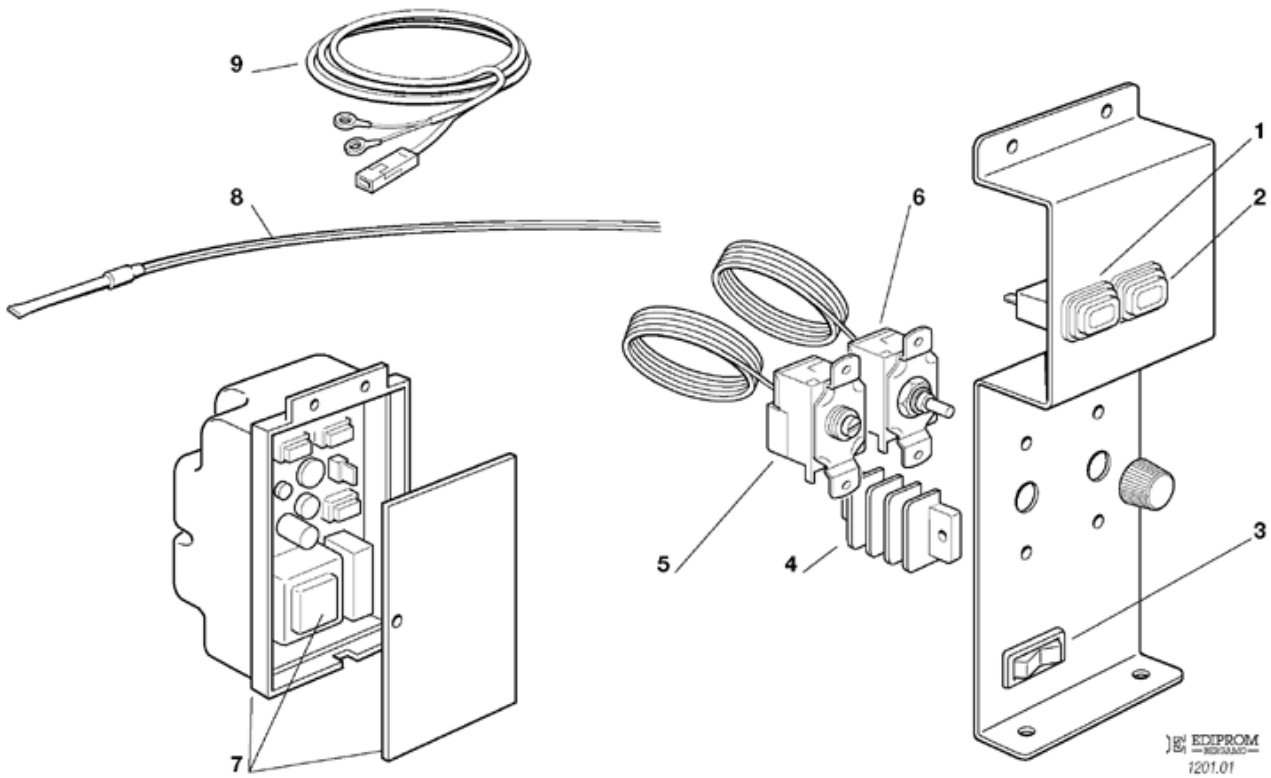


Pos	Code	Description
0001	SC702734 00	BRACKET
0002	SC620471 04R	PUMP 230/50/1 ATEX
0002	SC651682 00	PWD PUMP CONNECTION ISOLATION
0003	SC640041 44	O RING OR 3081
0004	SC661104 02	BUSHING
0005	SC651681 00	PWD TANK INSULATION RIGHT
0005	SC651681 01	PWD TANK INSULATION LEFT
0005	SC661103 00	TANK
0006	SC661102 05	SUMP COVER ASSY
0007	SC661102 05	SUMP COVER ASSY
0012	SC610148 10	TUBE
0013	SC610182 08	TUBO SCARICO ASSIEMATO
0014	SC281830 06	TUBE PVC
0015	SC281900 04	TUBE
0016	SC661104 00	WATER DRAIN FITTING-ELBOW
0017	SC661104 01	WATER INLET FITTING
0018	SC640041 43	O RING OR 2087 (WRAS-FDA)
0019	SC651444 00	NON RETURN VALVE
0020	SC660535 00	PLASTIC NUT
0021	SC620519 05	WATER LEVEL HARNESS

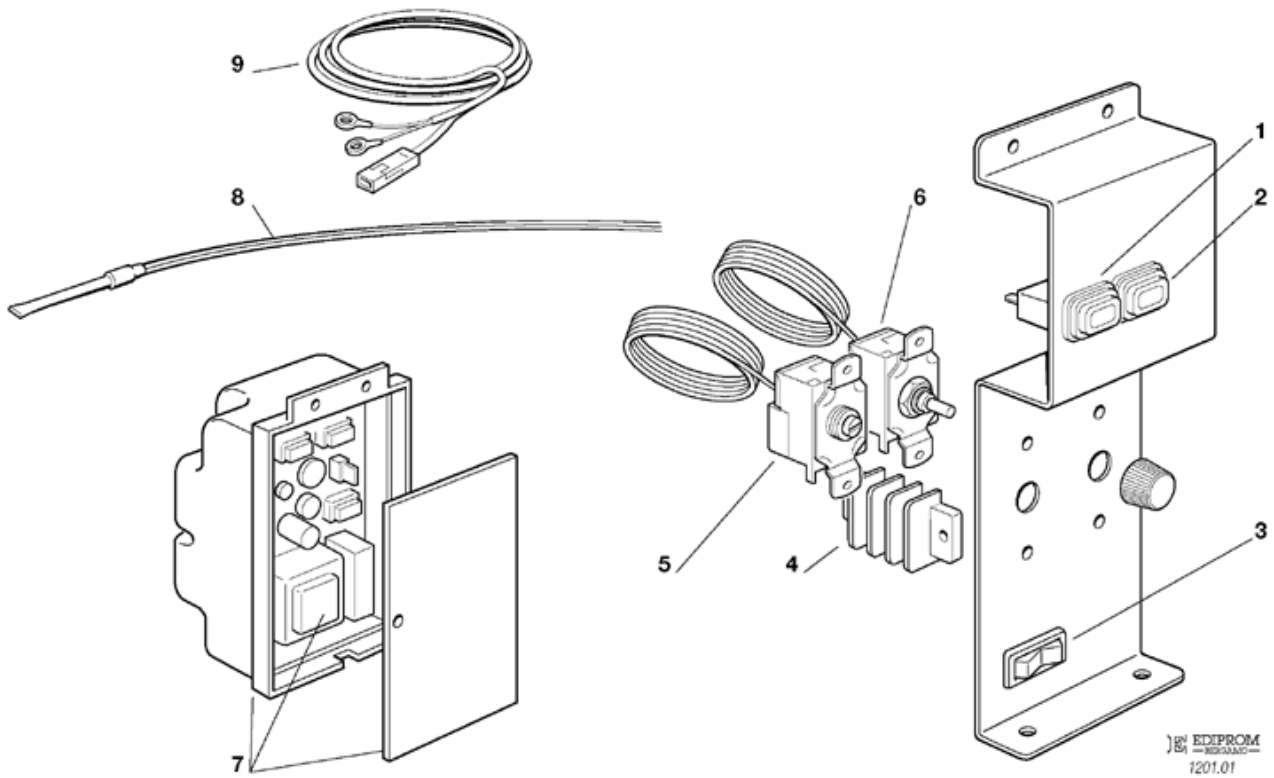


Pos	Code	Description
0001	SC060666 00	SWITCHES ASSY
0002	SC060666 00	SWITCHES ASSY
0003	SC620442 01	SWITCH
0004	SC630114 01	TERMINAL BOARD
0005	SC630005 00	BIN THERMOSTAT
0006	SC620264 06	KNOB
0006	SC620264 16	EVAPORATOR THERMOSTAT
0007	SC060711 30	PC BOARD KIT
0007	SC620489 01	THREE WIRES CABLE
0008	SC620404 11	CONDENSER SENSOR
0009	SC620404 13	WATER LEVEL PINS HERNESS

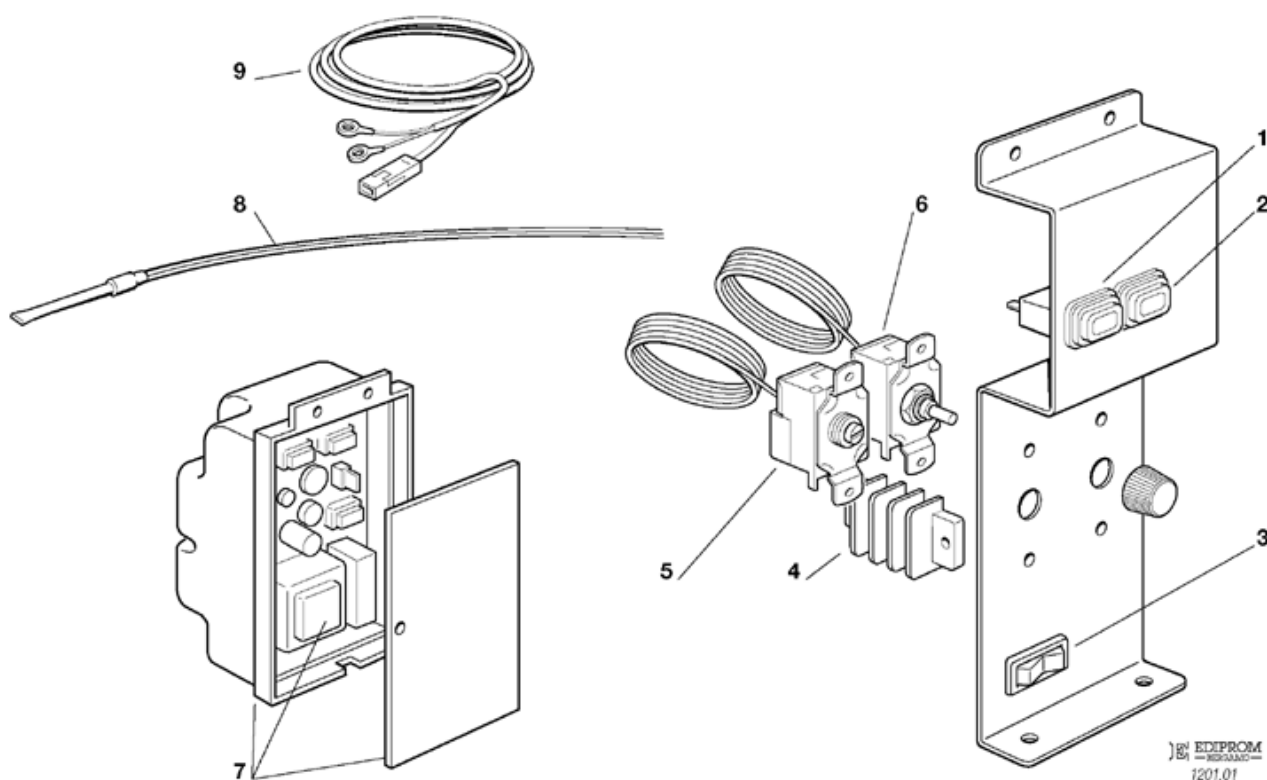




Pos	Code	Description
0001	SC620487 01	SWITCH
0001	SC620487 04	PLASTIC COVER
0001	SC620504 00	RED WARNING LIGHT
0002	SC620487 00	GREEN SWITCH
0002	SC620487 04	PLASTIC COVER
0003	SC620442 01	SWITCH
0004	SC630114 01	TERMINAL BOARD
0005	SC630005 00	BIN THERMOSTAT
0006	SC620264 06	KNOB
0006	SC620264 16	EVAPORATOR THERMOSTAT
0007	SC060711 30	PC BOARD KIT
0007	SC620489 01	THREE WIRES CABLE
0008	SC620404 11	CONDENSER SENSOR
0009	SC620404 13	WATER LEVEL PINS HERNESS



Pos	Code	Description
0001	SC620487 01	SWITCH
0002	SC620487 00	GREEN SWITCH
0003	SC620442 01	SWITCH
0004	SC630114 01	TERMINAL BOARD
0005	SC630005 00	BIN THERMOSTAT
0006	SC620264 06	KNOB
0006	SC620264 16	EVAPORATOR THERMOSTAT
0007	SC060711 30	PC BOARD KIT
0007	SC620489 01	THREE WIRES CABLE
0008	SC620404 11	CONDENSER SENSOR
0009	SC620404 13	WATER LEVEL PINS HERNESS



Pos	Code	Description
0001	SC620487 01	SWITCH
0002	SC620487 00	GREEN SWITCH
0003	SC620442 01	SWITCH
0004	SC630114 01	TERMINAL BOARD
0005	SC630005 00	BIN THERMOSTAT
0006	SC620264 06	KNOB
0006	SC620264 16	EVAPORATOR THERMOSTAT
0007	SC620489 01	THREE WIRES CABLE
0007	SC620489 03	PC BOARD
0008	SC620519 04	CONDENSER SENSOR NTC
0009	SC620519 05	WATER LEVEL HARNESS