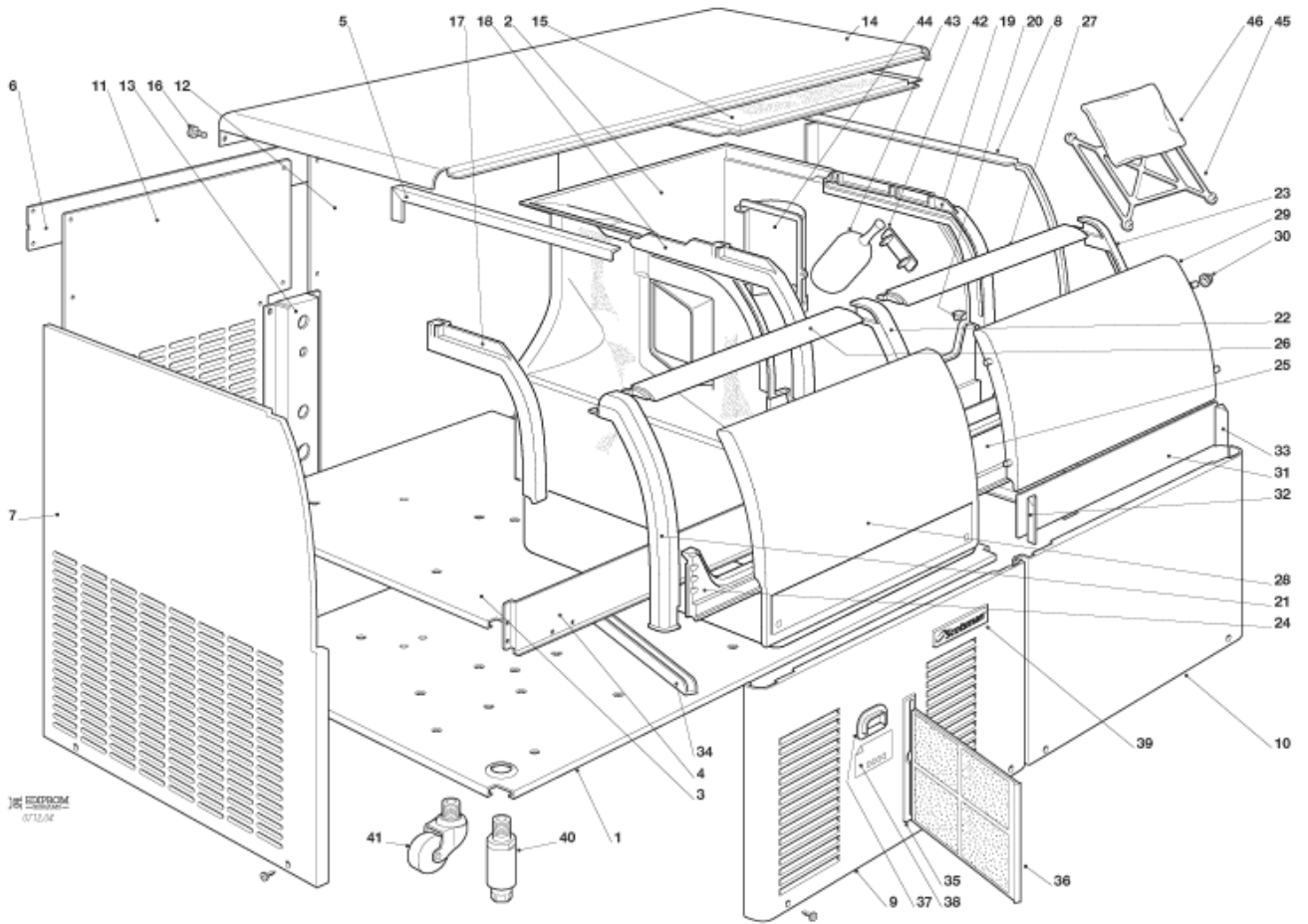
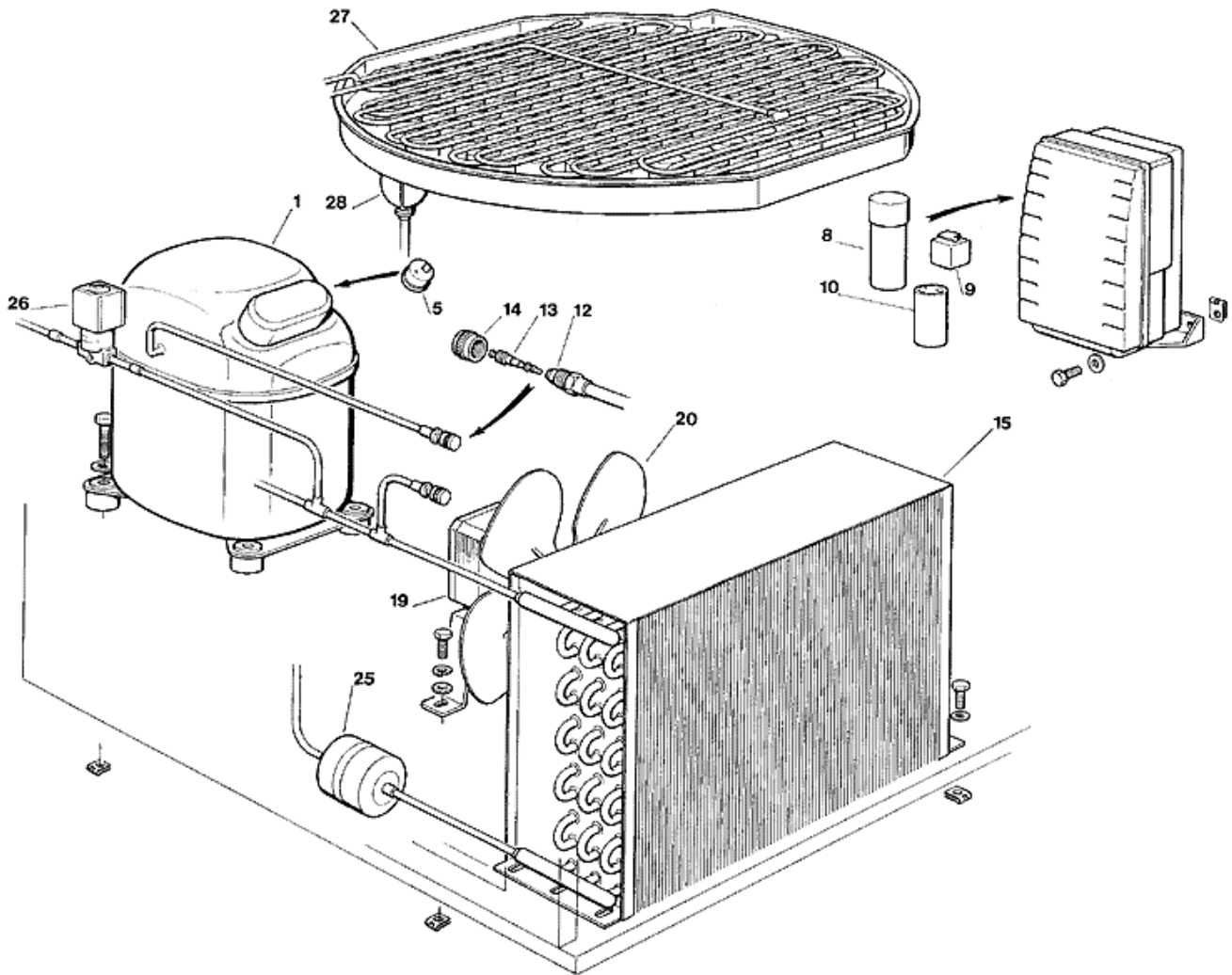


Pos	Code	Description
0001	SC781460 00	UNIT BASE-AC 206
0002	SC782107 00R	STORAGE BIN ASSY
0003	SC702480 00	SUPPORTO INVOL.EVAP.AC206
0005	SC702497 00	TRAVERSO SUP.CELLA AC-206
0006	SC702478 00	REAR BRACKET
0007	SC722257 00	LEFT SIDE PANEL
0008	SC722258 00	RIGHT SIDE PANEL - AC 206
0009	SC722260 00	FRONT LEFT SIDE PANEL-AIR
0009	SC722260 01	LEFT FRONT PANEL ( WATER)
0010	SC722261 00	RIGHT FRONT PANEL
0011	SC702474 00	REAR LEFT SIDE PANEL
0012	SC702475 00	REAR RIGHT SIDE PANEL
0013	SC702408 00	HOOK UP PANEL
0014	SC781465 00R	TOP PANEL ASSY
0015	SC650952 00	INSULATION
0015	SC660866 00	PLASTIC PROTECTION
0016	SC650806 00	PIVOT
0017	SC660784 01	LEFT SIDE TRACK
0018	SC660784 02	GUIDE LEFT SIDE
0019	SC660784 00	RIGHT SIDE TRACK
0020	SC660816 00	SHOCK ABSORBER
0021	SC660832 00	LEFT SIDE DOOR FRAME
0022	SC660845 00	DOOR FRAME, LEFT SIDE
0023	SC660832 01	RIGHT SIDE DOOR FRAME
0024	SC660857 01	SERVICE DOOR FRAME BOTTOM
0025	SC660833 01	BOTTOM DOOR FRAME
0026	SC660785 02	UPPER DOOR FRAME
0026	SC724428 00	U SHAPE BRKT
0027	SC660785 01	UPPER DOOR FRAME
0027	SC724428 02	U SHAPE BRKT
0028	SC660848 01	SERVICE PANEL
0028	SC722315 00	FRONT PLATE
0029	SC660786 01	BIN DOOR
0030	SC660286 00	BUSHING
0031	SC721938 01	S.S.FRONT LINER
0032	SC660837 01	LEFT PLASTIC INSERT
0033	SC660837 00	RIGHT PLASTIC INSERT
0034	SC660817 00	SLIDE AIR FILTER
0035	SC660804 02	AIR FILTER SEAT
0036	SC660805 02	AIR FILTER
0037	SC660829 00	FRONT SWITCH PLASTIC PROT
0038	SC650624 07	LABEL
0039	SC650850 00	SCOTSMAN EMBLEM
0040	SC650670 06	LEG KIT
0041	SC650975 00	WHEEL
0042	SC660767 01	HOLDER ICE SCOOP
0043	SC650923 00	ICE SCOOP
0044	SC660860 00	PLASTIC COVER
0045	SC660831 00	ANTIBACTERIAS GRILL BAG - NLA
0046	SC650909 00	NO LONGER AVAILABLE



1000000000  
3712.04

Pos	Code	Description
0001	SC781460 00	UNIT BASE-AC 206
0002	SC782107 00R	STORAGE BIN ASSY
0003	SC702480 00	SUPPORTO INVOL.EVAP.AC206
0005	SC702497 00	TRAVERSO SUP.CELLA AC-206
0006	SC702478 00	REAR BRACKET
0007	SC722257 00	LEFT SIDE PANEL
0008	SC722258 00	RIGHT SIDE PANEL - AC 206
0009	SC722260 00	FRONT LEFT SIDE PANEL-AIR
0009	SC722260 01	LEFT FRONT PANEL ( WATER)
0010	SC722261 00	RIGHT FRONT PANEL
0011	SC702474 00	REAR LEFT SIDE PANEL
0012	SC702475 00	REAR RIGHT SIDE PANEL
0013	SC702408 00	HOOK UP PANEL
0014	SC781465 00R	TOP PANEL ASSY
0015	SC650952 00	INSULATION
0015	SC660866 00	PLASTIC PROTECTION
0016	SC650806 00	PIVOT
0017	SC660784 01	LEFT SIDE TRACK
0018	SC660784 02	GUIDE LEFT SIDE
0019	SC660784 00	RIGHT SIDE TRACK
0020	SC660816 00	SHOCK ABSORBER
0021	SC660832 00	LEFT SIDE DOOR FRAME
0022	SC660845 00	DOOR FRAME, LEFT SIDE
0023	SC660832 01	RIGHT SIDE DOOR FRAME
0024	SC660857 01	SERVICE DOOR FRAME BOTTOM
0025	SC660833 01	BOTTOM DOOR FRAME
0026	SC660785 02	UPPER DOOR FRAME
0026	SC724428 00	U SHAPE BRKT
0027	SC660785 01	UPPER DOOR FRAME
0027	SC724428 02	U SHAPE BRKT
0028	SC660848 01	SERVICE PANEL
0028	SC722315 00	FRONT PLATE
0029	SC660786 01	BIN DOOR
0030	SC660286 00	BUSHING
0031	SC721938 01	S.S.FRONT LINER
0032	SC660837 01	LEFT PLASTIC INSERT
0033	SC660837 00	RIGHT PLASTIC INSERT
0034	SC660817 00	SLIDE AIR FILTER
0035	SC660804 02	AIR FILTER SEAT
0036	SC660805 02	AIR FILTER
0037	SC660829 00	FRONT SWITCH PLASTIC PROT
0038	SC650624 07	LABEL
0039	SC650850 00	SCOTSMAN EMBLEM
0040	SC651469 00	LEG
0040	SC651469 01	SHORT LEG
0042	SC660767 01	HOLDER ICE SCOOP
0043	SC650923 00	ICE SCOOP
0044	SC660860 00	PLASTIC COVER
0045	SC660831 00	ANTIBACTERIAS GRILL BAG - NLA
0046	SC650909 00	NO LONGER AVAILABLE



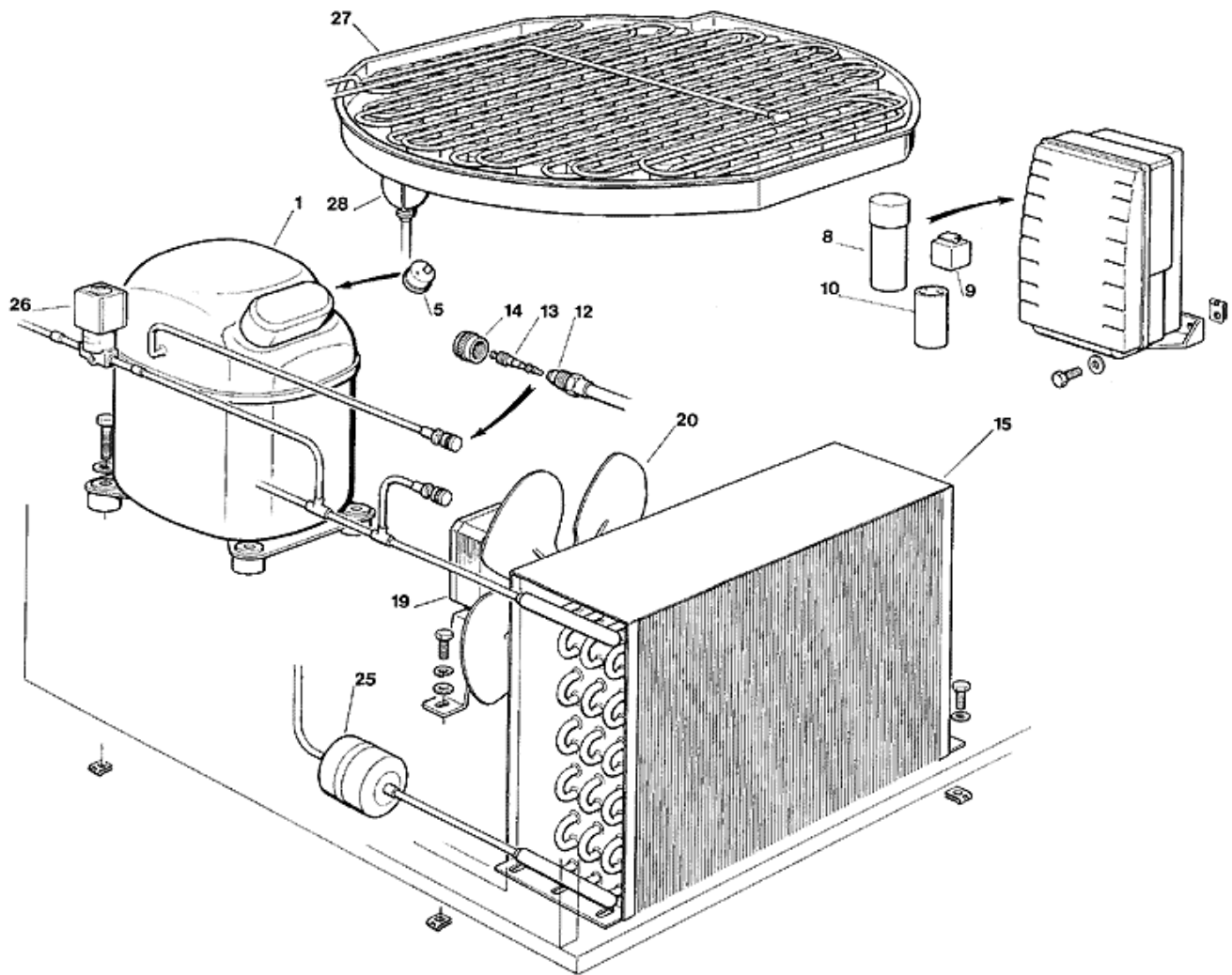
Pos	Code	Description
0001	SC670106 11	USE SC670106 22
0001	SC670106 23	COMP.AE4470Z-FZ3C 220-240 (AE-1150-BF-M)
0005	SCCUB 102197	PROTECTOR
0008	SC620167 21	CAPACITOR - 8685302
0008	SC620520 01	CAPACITOR 10 MFD
0009	SC620057 54	RELAY 8565105
0009	SCCUB 100477	RELAY
0010	SCCUB 102661	START CAPACITOR
0012	SC650109 00	VALVE BODY
0013	SC670012 00	VALVE CORE
0014	SC650106 00	CAP
0015	SC620436 00	AIR COOLED CONDENSER
0019	SC620419 04	FAN MOTOR ATEX
0019	SC620419 05	FAN MOTOR
0020	SC620419 34	BLADE
0025	SC670006 01	FILTER
0026	SC620306 17	HOT GAS VALVE COIL
0026	SC620306 46	HOT GAS VALVE BODY
0026	SC620306 48	HOT GAS VALVE COIL
0027	SC784434 05	EVAPORATOR ASSY - LARGE
0027	SC784435 05	EVAPORATOR ASSY-MEDIUM
0027	SC784436 01	EVAPORATOR ASSY
0028	SC784665 01R	SECTION LINE ASSY



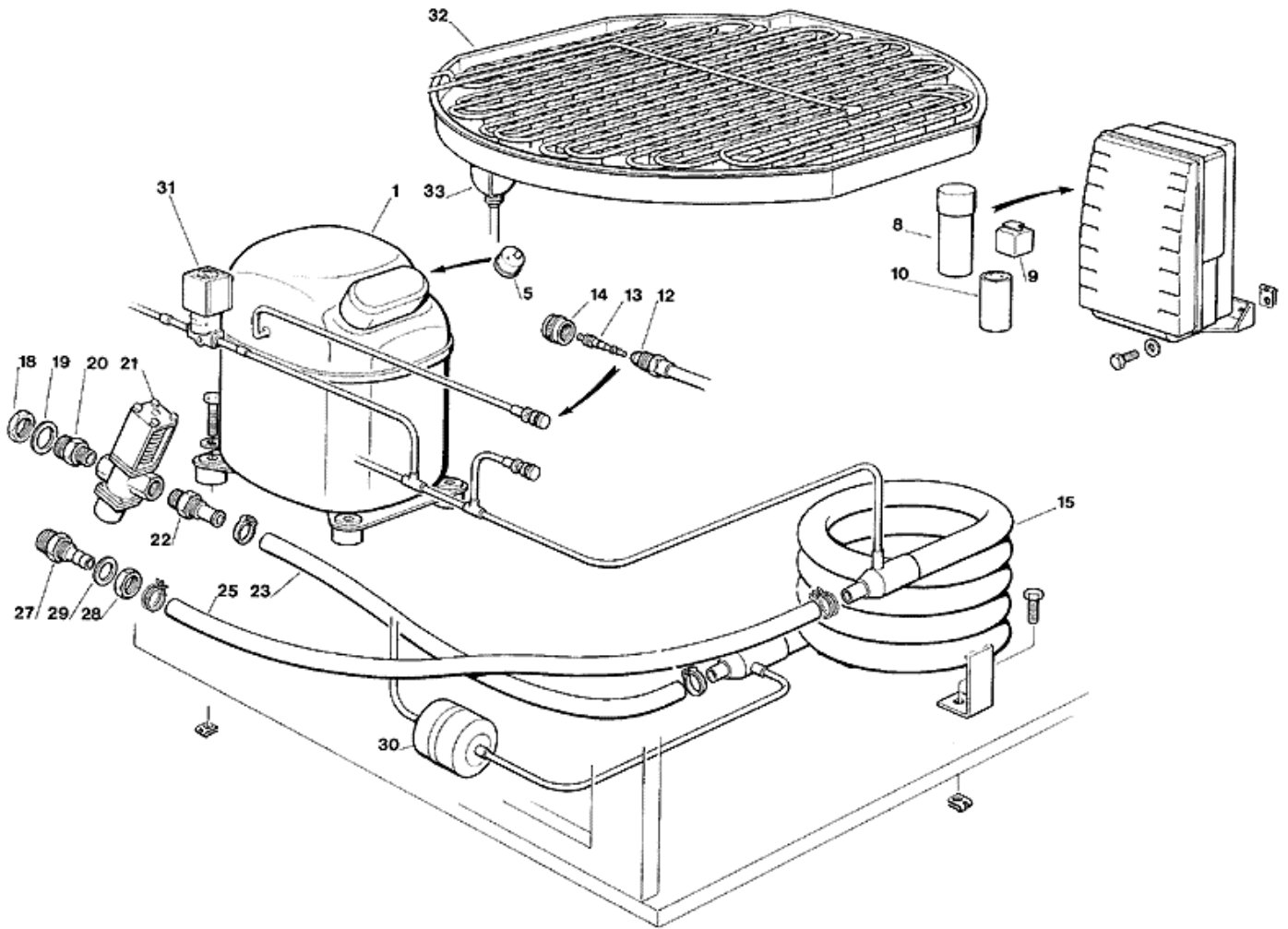


Pos	Code	Description
0001	SC670106 11	USE SC670106 22
0001	SC670106 23	COMP.AE4470Z-FZ3C 220-240 (AE-1150-BF-M)
0005	SC620058 51	PROTECTOR - 8670503
0005	SC620478 23	PROTECTOR - 8571328
0008	SC620167 21	CAPACITOR - 8685302
0008	SC620520 01	CAPACITOR 10 MFD
0009	SC620168 22	RELAY - 8565102
0009	SC620168 25	RELAY - 8565402
0010	SC620167 00	START.CAP. - 8640162
0010	SC620167 01	START.CAP. - 8640161
0010	SCCUB 102661	START CAPACITOR
0012	SC650109 00	VALVE BODY
0013	SC670012 00	VALVE CORE
0014	SC650106 00	CAP
0015	SC620436 00	AIR COOLED CONDENSER
0019	SC620419 04	FAN MOTOR ATEX
0019	SC620419 05	FAN MOTOR
0020	SC620419 34	BLADE
0025	SC670006 01	FILTER
0026	SC620306 17	HOT GAS VALVE COIL
0026	SC620306 46	HOT GAS VALVE BODY
0026	SC620306 48	HOT GAS VALVE COIL
0027	SC784434 05	EVAPORATOR ASSY - LARGE
0027	SC784435 05	EVAPORATOR ASSY-MEDIUM
0027	SC784436 01	EVAPORATOR ASSY
0028	SC784665 01R	SECTION LINE ASSY

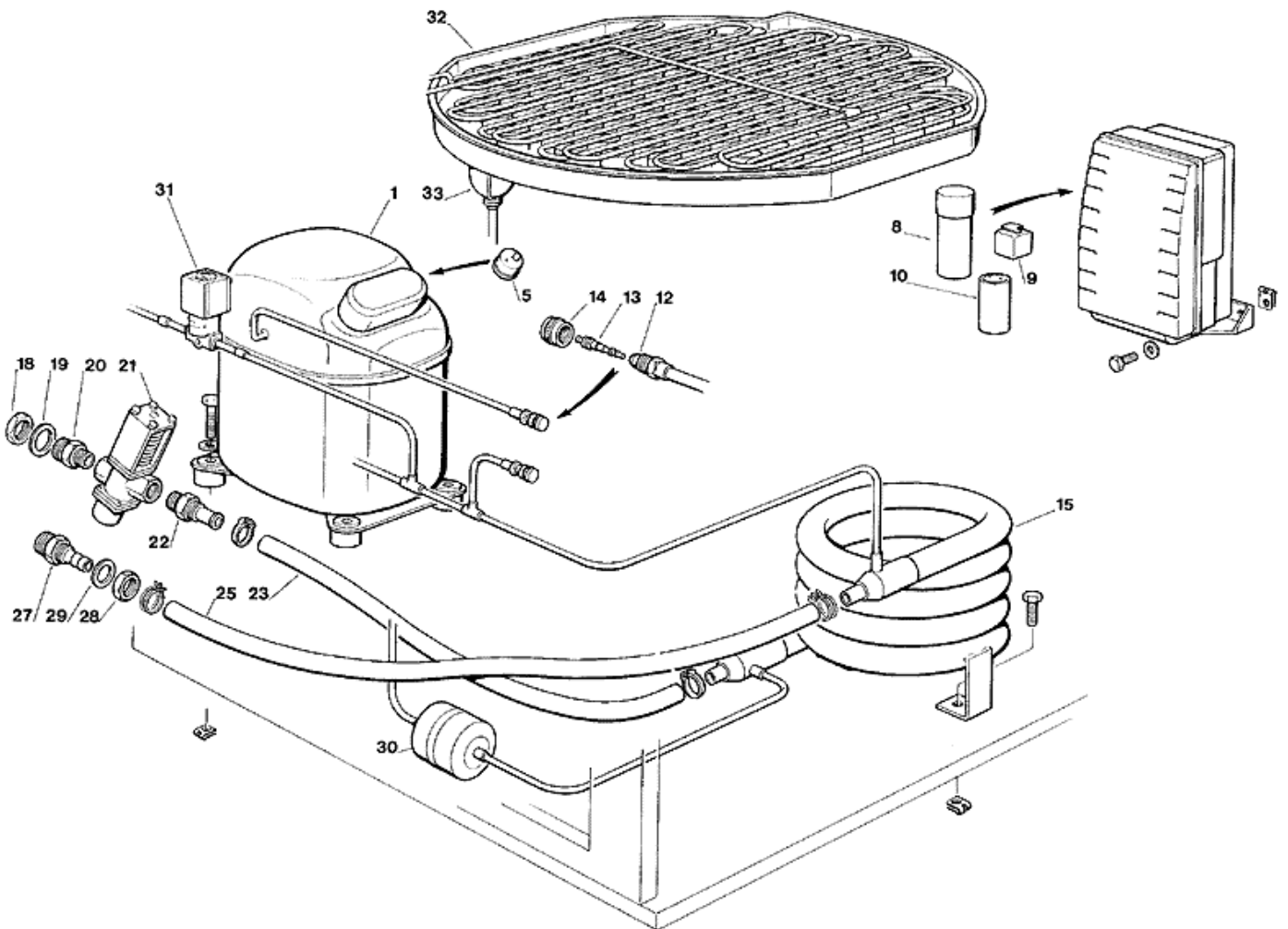




Pos	Code	Description
0001	SC670106 11	USE SC670106 22
0001	SC670106 23	COMP.AE4470Z-FZ3C 220-240 (AE-1150-BF-M)
0005	SC620478 23	PROTECTOR - 8571328
0008	SC620167 14	CAPACITOR
0008	SC620167 25	RUN CAPACITOR - 8545104
0008	SC620520 01	CAPACITOR 10 MFD
0009	SC620057 43	RELAY - 8565103
0009	SC620057 62	RELAY - 8565172
0010	SC620167 00	START.CAP. - 8640162
0010	SC620167 01	START.CAP. - 8640161
0010	SCCUB 102661	START CAPACITOR
0012	SC650109 00	VALVE BODY
0013	SC670012 00	VALVE CORE
0014	SC650106 00	CAP
0015	SC620436 00	AIR COOLED CONDENSER
0019	SC620419 04	FAN MOTOR ATEX
0019	SC620419 05	FAN MOTOR
0020	SC620419 34	BLADE
0025	SC670006 01	FILTER
0026	SC620306 17	HOT GAS VALVE COIL
0026	SC620306 46	HOT GAS VALVE BODY
0026	SC620306 48	HOT GAS VALVE COIL
0027	SC784434 05	EVAPORATOR ASSY - LARGE
0027	SC784435 05	EVAPORATOR ASSY-MEDIUM
0027	SC784436 01	EVAPORATOR ASSY
0028	SC784665 01R	SECTION LINE ASSY



Pos	Code	Description
0001	SC670106 11	USE SC670106 22
0001	SC670106 23	COMP.AE4470Z-FZ3C 220-240 (AE-1150-BF-M)
0005	SCCUB 102197	PROTECTOR
0008	SC620167 21	CAPACITOR - 8685302
0008	SC620520 01	CAPACITOR 10 MFD
0009	SC620057 54	RELAY 8565105
0009	SCCUB 100477	RELAY
0010	SCCUB 102661	START CAPACITOR
0012	SC650109 00	VALVE BODY
0013	SC670012 00	VALVE CORE
0014	SC650106 00	CAP
0015	SC620495 02	WATER COOLED CONDENSER
0018	SC400053 00	NUT
0019	SC400031 01	WASHER
0020	SC733204 00	WATER INLET FITTING
0021	SC620111 00	WATER REGUL. VALVE
0022	SC733173 02	OBSOLETE
0023	SC281900 05	TUBO PVC DN13 (13X19)90°
0025	SC281900 05	TUBO PVC DN13 (13X19)90°
0027	SC660291 00	TEE TUBE (D13)
0028	SC400030 01	NUT
0029	SC400031 00	WASHER
0030	SC670006 01	FILTER
0031	SC620306 17	HOT GAS VALVE COIL
0031	SC620306 46	HOT GAS VALVE BODY
0031	SC620306 48	HOT GAS VALVE COIL
0032	SC784434 05	EVAPORATOR ASSY - LARGE
0032	SC784435 05	EVAPORATOR ASSY-MEDIUM
0032	SC784436 01	EVAPORATOR ASSY
0033	SC784665 01R	SECTION LINE ASSY



Pos	Code	Description
0001	SC670106 11	USE SC670106 22
0001	SC670106 23	COMP.AE4470Z-FZ3C 220-240 (AE-1150-BF-M)
0005	SC620058 51	PROTECTOR - 8670503
0005	SC620478 23	PROTECTOR - 8571328
0008	SC620167 21	CAPACITOR - 8685302
0008	SC620520 01	CAPACITOR 10 MFD
0009	SC620168 22	RELAY - 8565102
0009	SC620168 25	RELAY - 8565402
0010	SC620167 00	START.CAP. - 8640162
0010	SC620167 01	START.CAP. - 8640161
0010	SCCUB 102661	START CAPACITOR
0012	SC650109 00	VALVE BODY
0013	SC670012 00	VALVE CORE
0014	SC650106 00	CAP
0015	SC620495 02	WATER COOLED CONDENSER
0018	SC400053 00	NUT
0019	SC400031 01	WASHER
0020	SC733204 00	WATER INLET FITTING
0021	SC620111 00	WATER REGUL. VALVE
0022	SC733173 02	OBSOLETE
0023	SC281900 05	TUBO PVC DN13 (13X19)90°
0025	SC281900 05	TUBO PVC DN13 (13X19)90°
0027	SC660291 00	TEE TUBE (D13)
0028	SC400030 01	NUT
0029	SC400031 00	WASHER
0030	SC670006 01	FILTER
0031	SC620306 17	HOT GAS VALVE COIL
0031	SC620306 46	HOT GAS VALVE BODY
0031	SC620306 48	HOT GAS VALVE COIL
0032	SC784434 05	EVAPORATOR ASSY - LARGE
0032	SC784435 05	EVAPORATOR ASSY-MEDIUM
0032	SC784436 01	EVAPORATOR ASSY
0033	SC784665 01R	SECTION LINE ASSY

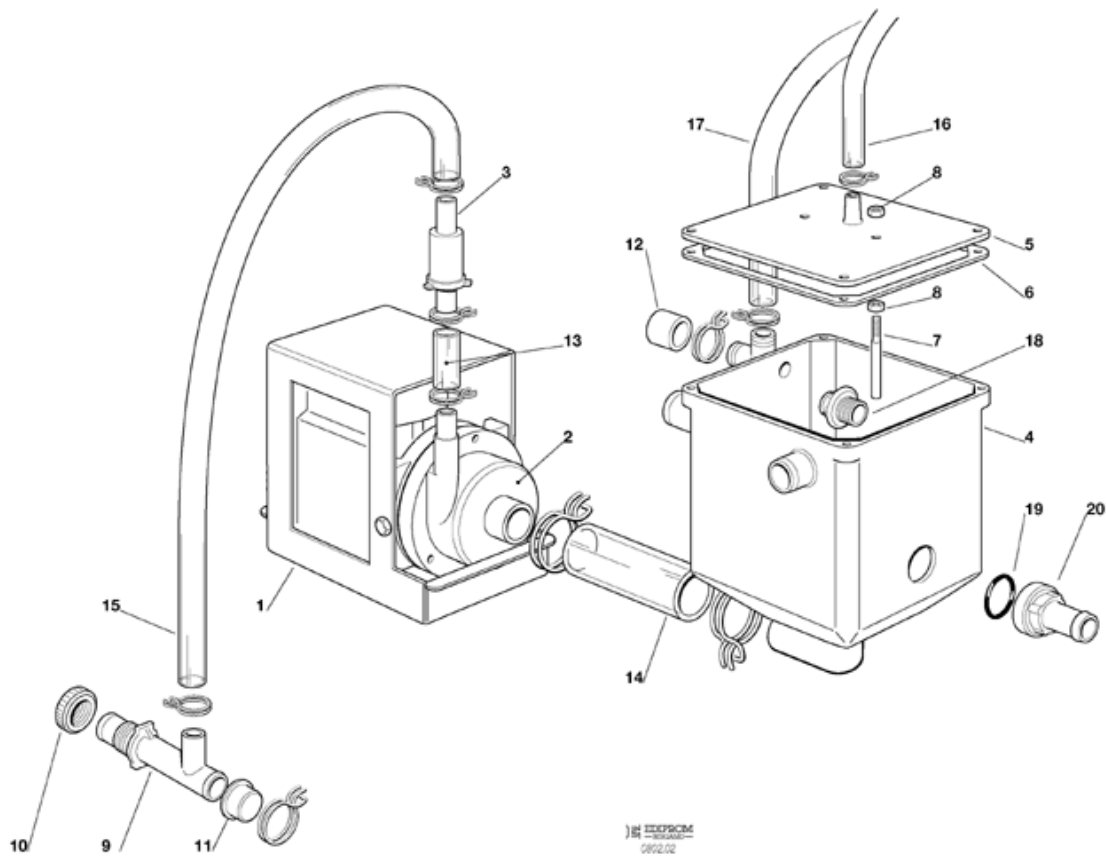




Pos	Code	Description
0001	SC670106 11	USE SC670106 22
0001	SC670106 23	COMP.AE4470Z-FZ3C 220-240 (AE-1150-BF-M)
0005	SC620478 23	PROTECTOR - 8571328
0008	SC620167 14	CAPACITOR
0008	SC620167 25	RUN CAPACITOR - 8545104
0008	SC620520 01	CAPACITOR 10 MFD
0009	SC620057 43	RELAY - 8565103
0009	SC620057 62	RELAY - 8565172
0010	SC620167 00	START.CAP. - 8640162
0010	SC620167 01	START.CAP. - 8640161
0010	SCCUB 102661	START CAPACITOR
0012	SC650109 00	VALVE BODY
0013	SC670012 00	VALVE CORE
0014	SC650106 00	CAP
0015	SC620495 02	WATER COOLED CONDENSER
0018	SC400053 00	NUT
0019	SC400031 01	WASHER
0020	SC733204 00	WATER INLET FITTING
0021	SC620111 00	WATER REGUL. VALVE
0022	SC733173 02	OBSOLETE
0023	SC281900 05	TUBO PVC DN13 (13X19)90°
0025	SC281900 05	TUBO PVC DN13 (13X19)90°
0027	SC660291 00	TEE TUBE (D13)
0028	SC400030 01	NUT
0029	SC400031 00	WASHER
0030	SC670006 01	FILTER
0031	SC620306 17	HOT GAS VALVE COIL
0031	SC620306 46	HOT GAS VALVE BODY
0031	SC620306 48	HOT GAS VALVE COIL
0032	SC784434 05	EVAPORATOR ASSY - LARGE
0032	SC784435 05	EVAPORATOR ASSY-MEDIUM
0032	SC784436 01	EVAPORATOR ASSY
0033	SC784665 01R	SECTION LINE ASSY

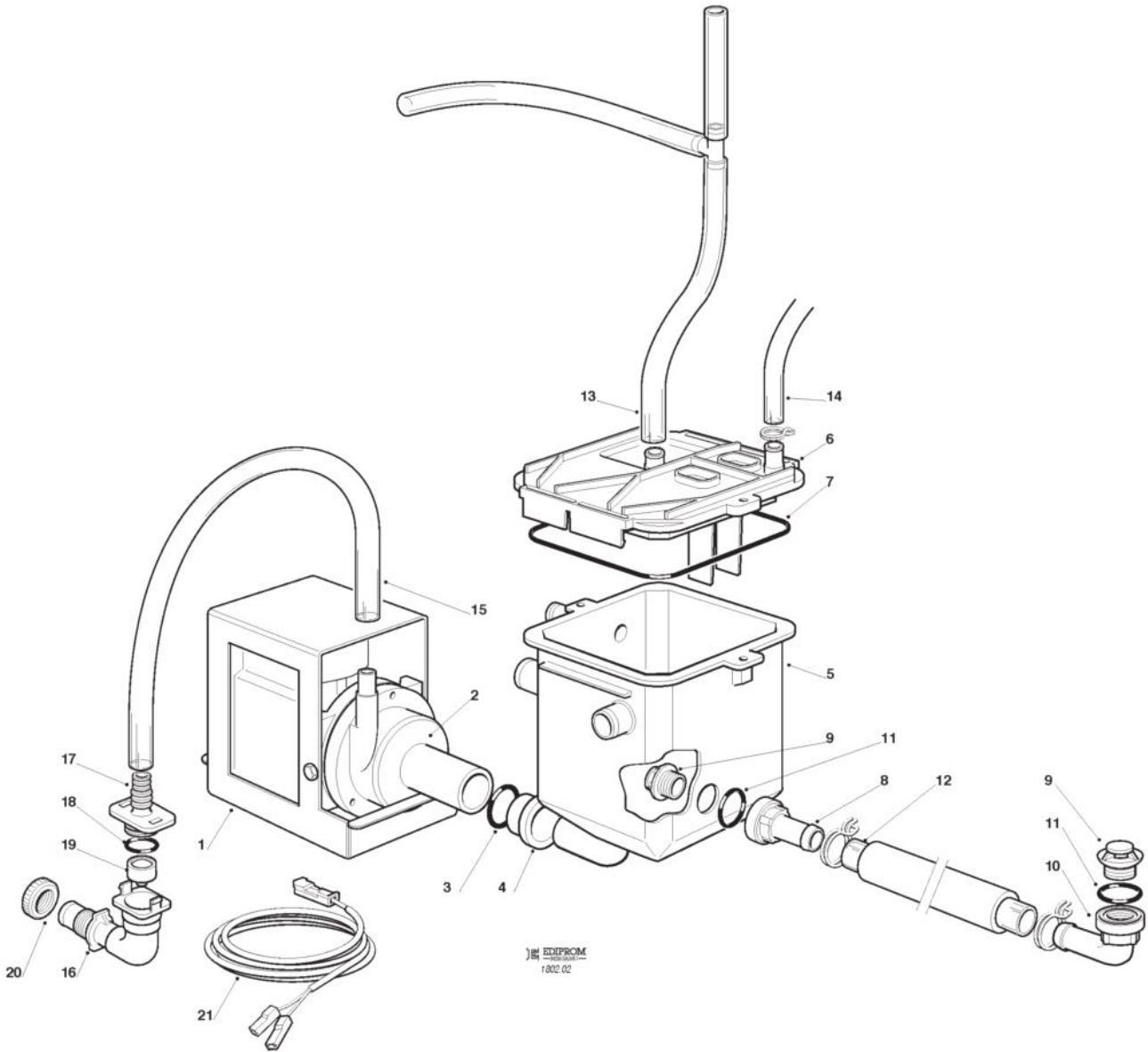


Pos	Code	Description
0001	SC650105 54	WATER INLET VALVE
0001	SC650105 56	WATER INLET VALVE
0002	SC281900 04	TUBE
0008	SC784344 00R	EVAPORATOR ASSY
0009	SC660489 00	BRACKET
0010	SC660488 01	MOBILE INNER BOTTOM
0011	SC660487 01	INNER BOTTOM
0012	SC723132 05	PUMP BRACKET
0013	SC620430 01	WATER PUMP 115V/60HZ/1PH
0013	SC620430 02	WATER PUMP 230V/60HZ/1PH
0013	SC620430 09R	WATER PUMP 230V/50HZ/1PH ATEX
0015	SC650550 00	PLASTIC PLUG
0017	SC660483 00	PLASTIC FLANGE
0019	SC660475 00	WATER JET BEARING
0020	SC440013 08	TRUST WASHER
0021	SC793127 03	SPRAY BAR
0022	SC660491 00	EVAPORATOR COVER
0023	SC650538 00	INSULATION
0026	SC610213 00	HOSE
0027	SC660211 01	DRAIN FILTER
0028	SC640134 00	O RING
0029	SC660213 01	FITTING
0031	SC610148 10	TUBE
0033	SC660224 00	TEE TUBE
0034	SC660535 00	PLASTIC NUT
0035	SC620460 00	WATER DRAIN VALVE
0038	SC610213 00	HOSE
0040	SC610188 00	TUBE
0041	SC661237 00	MEMBRANE CURTAIN

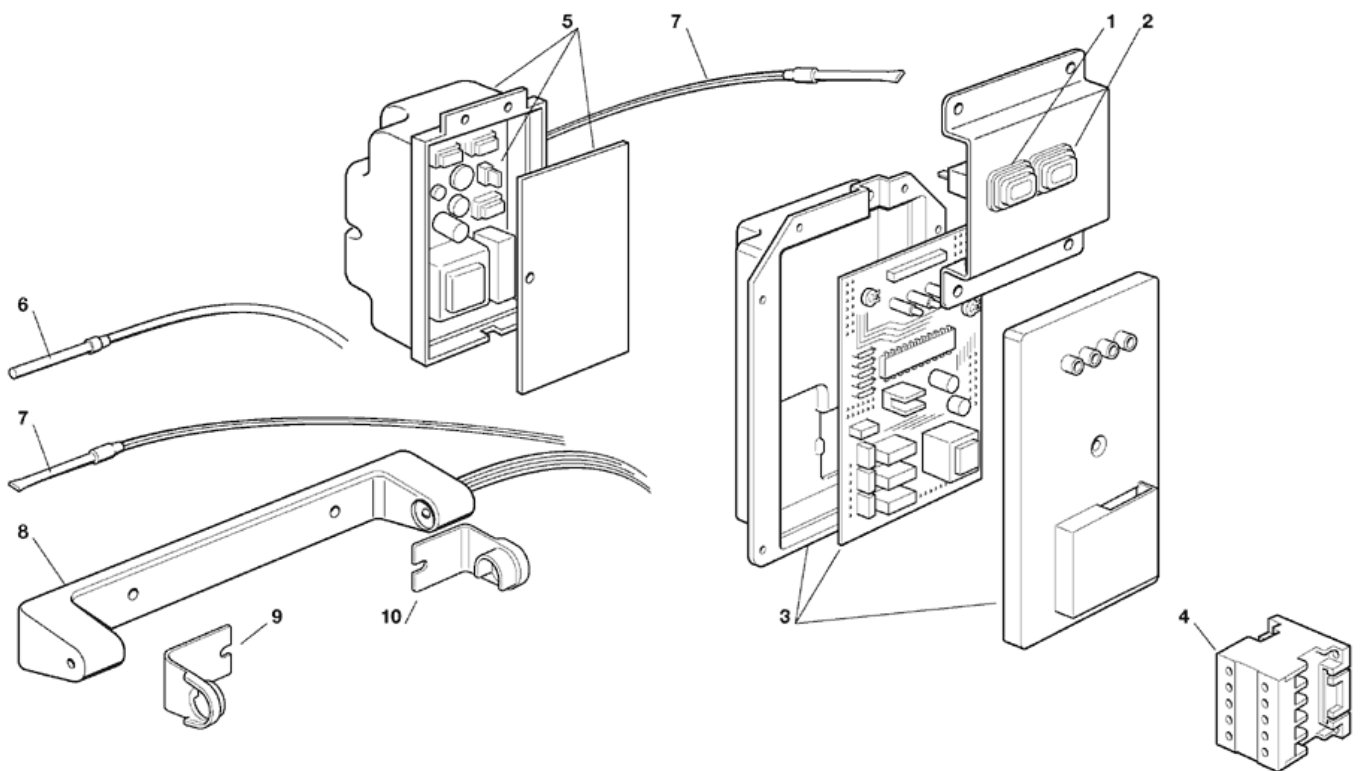


Pos	Code	Description
0001	SC620471 01	WATER PUMP
0001	SC702445 00	PUMP BRACKET
0002	SC620471 00	PUMP
0003	SC793230 00R	WATER DRAIN N CHECK VALVE
0004	SC660710 01R	USE SC060831 00
0005	SC060602 01	SUMP COVER ASSY
0006	SC640140 00	GASKET - NLA
0007	SC724215 10	METAL PIN
0008	SC430031 00	NUT
0009	SC660224 00	TEE TUBE
0010	SC660535 00	PLASTIC NUT
0011	SC650173 01	PLASTIC CAP
0012	SC660570 00	CAP
0013	SC281900 01	TUBE 16X10
0014	SC610148 10	TUBE
0015	SC610171 02	PLASTIC HOSE
0016	SC281830 06	TUBE PVC
0017	SC610213 00	HOSE
0018	SC660211 01	DRAIN FILTER
0019	SC640134 00	O RING
0020	SC660219 02	DRAIN FITTING

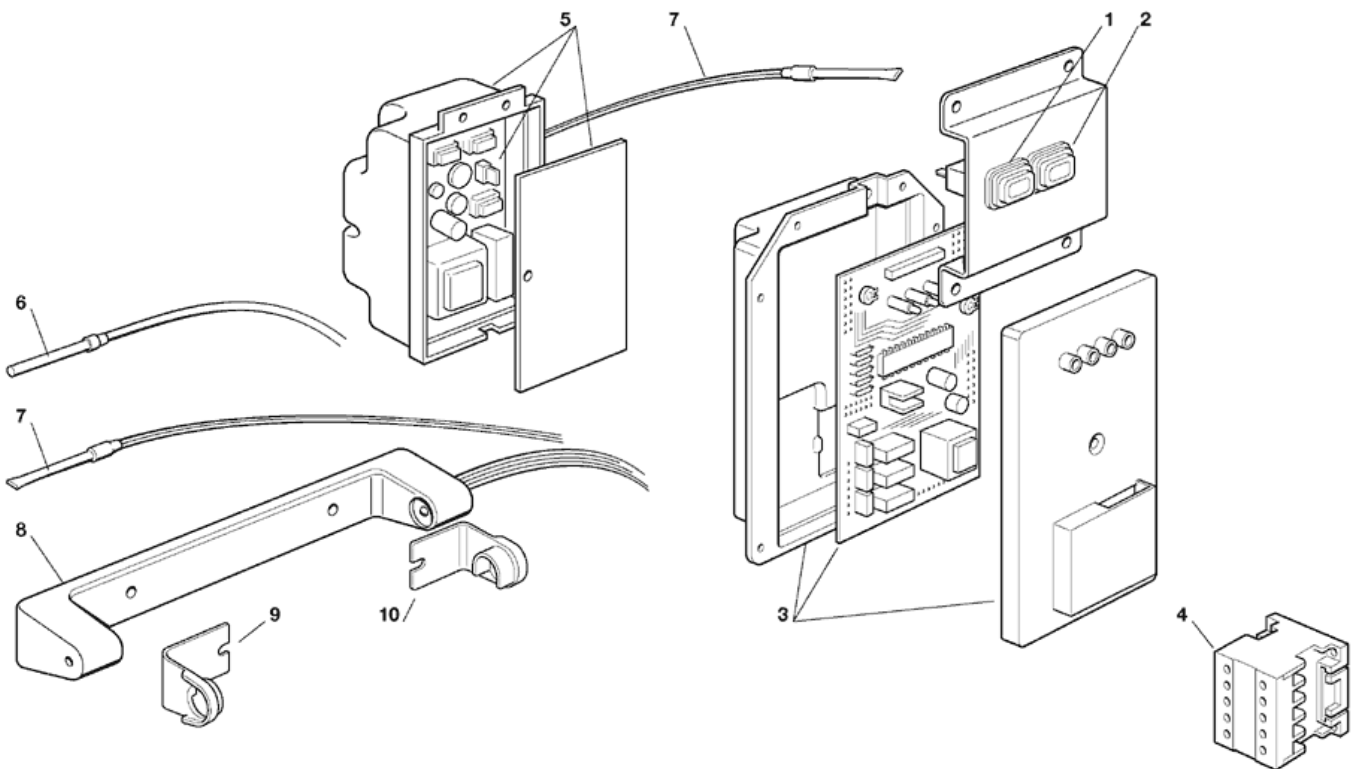




Pos	Code	Description
0001	SC702792 00	PUMP BRACKET
0002	SC620471 04R	PUMP 230/50/1 ATEX
0002	SC651682 00	PWD PUMP CONNECTION ISOLATION
0003	SC640041 44	O RING OR 3081
0004	SC661104 02	BUSHING
0005	SC651681 00	PWD TANK INSULATION RIGHT
0005	SC651681 01	PWD TANK INSULATION LEFT
0005	SC661103 00	TANK
0006	SC661102 05	SUMP COVER ASSY
0007	SC661102 05	SUMP COVER ASSY
0008	SC660219 02	DRAIN FITTING
0009	SC660211 01	DRAIN FILTER
0010	SC660213 01	FITTING
0011	SC640134 00	O RING
0012	SC610214 00	TUBO SCAR.CELLA PVC AC206
0013	SC610213 00	HOSE
0014	SC281830 06	TUBE PVC
0015	SC281900 04	TUBE
0016	SC661104 00	WATER DRAIN FITTING-ELBOW
0017	SC661104 01	WATER INLET FITTING
0018	SC640041 43	O RING OR 2087 (WRAS-FDA)
0019	SC651444 00	NON RETURN VALVE
0020	SC660535 00	PLASTIC NUT
0021	SC620519 05	WATER LEVEL HARNESS

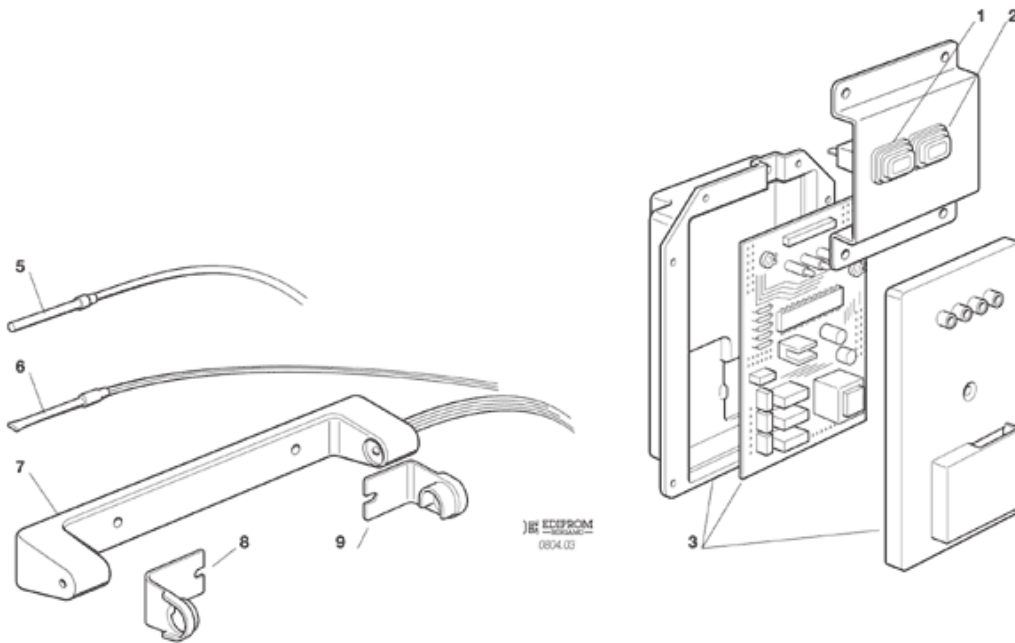


Pos	Code	Description
0001	SC060666 00	SWITCHES ASSY
0002	SC060666 00	SWITCHES ASSY
0003	SC060711 00	PC BOARD KIT - 230V
0003	SC060711 01	PC BOARD KIT - 115V
0004	SC630119 00	CONTACTOR
0004	SC630148 01	CONTACTOR 115/60/1
0005	SC060711 30	PC BOARD KIT
0005	SC060711 32	PC BOARD KIT
0005	SC620489 01	THREE WIRES CABLE
0006	SC620404 10	EVAPORATOR SENSOR - NLA
0007	SC620404 11	CONDENSER SENSOR
0008	SC650674 07	OPTICAL ICE LEVEL CTRL
0009	SC660720 00	PLASTIC PROTECTION LEFT
0010	SC660720 01	PLASTIC PROTECTION RIGHT

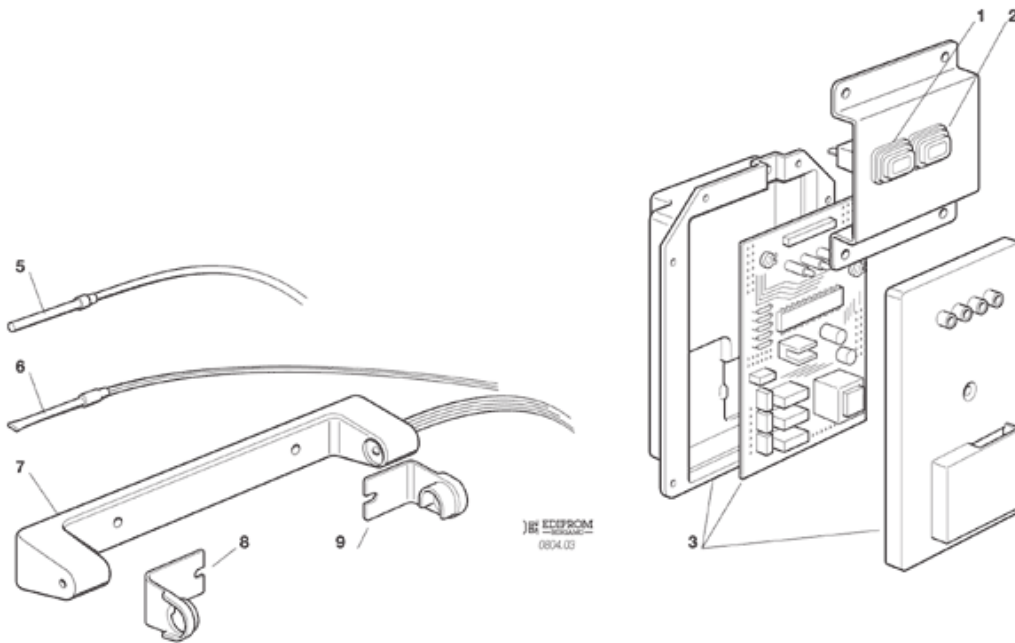


Pos	Code	Description
0001	SC620487 01	SWITCH
0001	SC620487 04	PLASTIC COVER
0001	SC620504 00	RED WARNING LIGHT
0002	SC620487 00	GREEN SWITCH
0002	SC620487 04	PLASTIC COVER
0003	SC060711 00	PC BOARD KIT - 230V
0003	SC060711 01	PC BOARD KIT - 115V
0004	SC630119 00	CONTACTOR
0004	SC630148 01	CONTACTOR 115/60/1
0005	SC060711 30	PC BOARD KIT
0005	SC060711 32	PC BOARD KIT
0005	SC620489 01	THREE WIRES CABLE
0006	SC620404 10	EVAPORATOR SENSOR - NLA
0007	SC620404 11	CONDENSER SENSOR
0008	SC650674 07	OPTICAL ICE LEVEL CTRL
0009	SC660720 00	PLASTIC PROTECTION LEFT
0010	SC660720 01	PLASTIC PROTECTION RIGHT

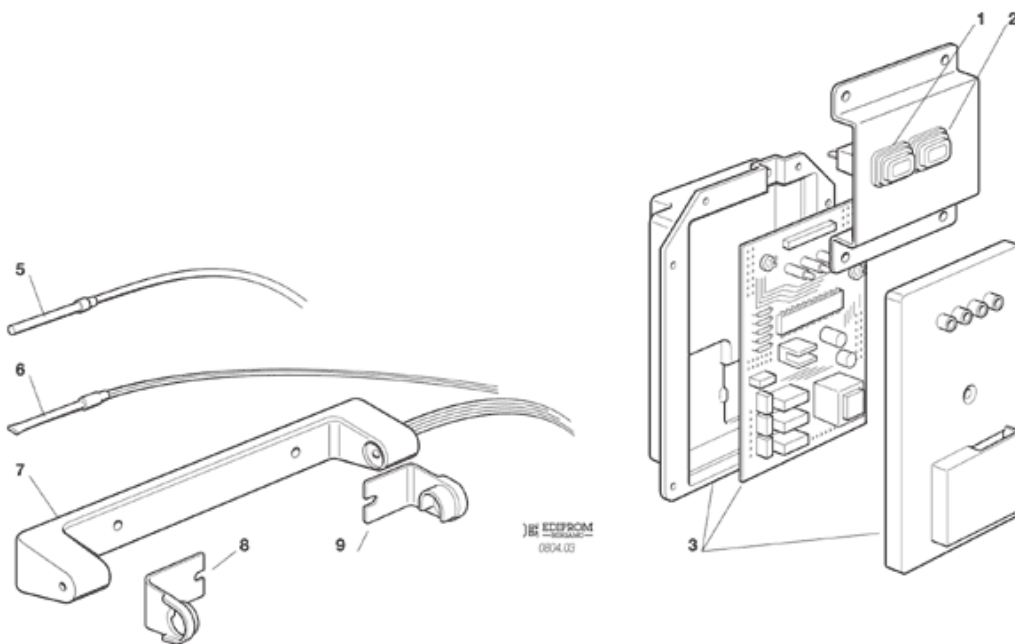




Pos	Code	Description
0001	SC620487 01	SWITCH
0001	SC620487 04	PLASTIC COVER
0001	SC620504 00	RED WARNING LIGHT
0002	SC620487 00	GREEN SWITCH
0002	SC620487 04	PLASTIC COVER
0003	SC060711 00	PC BOARD KIT - 230V
0003	SC620489 01	THREE WIRES CABLE
0005	SC620404 10	EVAPORATOR SENSOR - NLA
0006	SC620404 11	CONDENSER SENSOR
0007	SC650674 07	OPTICAL ICE LEVEL CTRL
0008	SC660720 00	PLASTIC PROTECTION LEFT
0009	SC660720 01	PLASTIC PROTECTION RIGHT



Pos	Code	Description
0001	SC620487 01	SWITCH
0002	SC620487 00	GREEN SWITCH
0003	SC060711 00	PC BOARD KIT - 230V
0003	SC620489 01	THREE WIRES CABLE
0005	SC620404 10	EVAPORATOR SENSOR - NLA
0006	SC620404 11	CONDENSER SENSOR
0007	SC650674 07	OPTICAL ICE LEVEL CTRL
0008	SC660720 00	PLASTIC PROTECTION LEFT
0009	SC660720 01	PLASTIC PROTECTION RIGHT



Pos	Code	Description
0001	SC620487 01	SWITCH
0002	SC620487 00	GREEN SWITCH
0003	SC620462 12	PC BOARD - NTC 115V
0003	SC620462 24	PC BOARD 230V INNOTECH ATEX
0003	SC620489 01	THREE WIRES CABLE
0003	SC630015 15	FUSE T6,3A - 250V
0005	SC620519 01	EVAPORATOR SENSOR NTC
0006	SC620519 04	CONDENSER SENSOR NTC
0007	SC650674 07	OPTICAL ICE LEVEL CTRL
0008	SC660720 00	PLASTIC PROTECTION LEFT
0009	SC660720 01	PLASTIC PROTECTION RIGHT