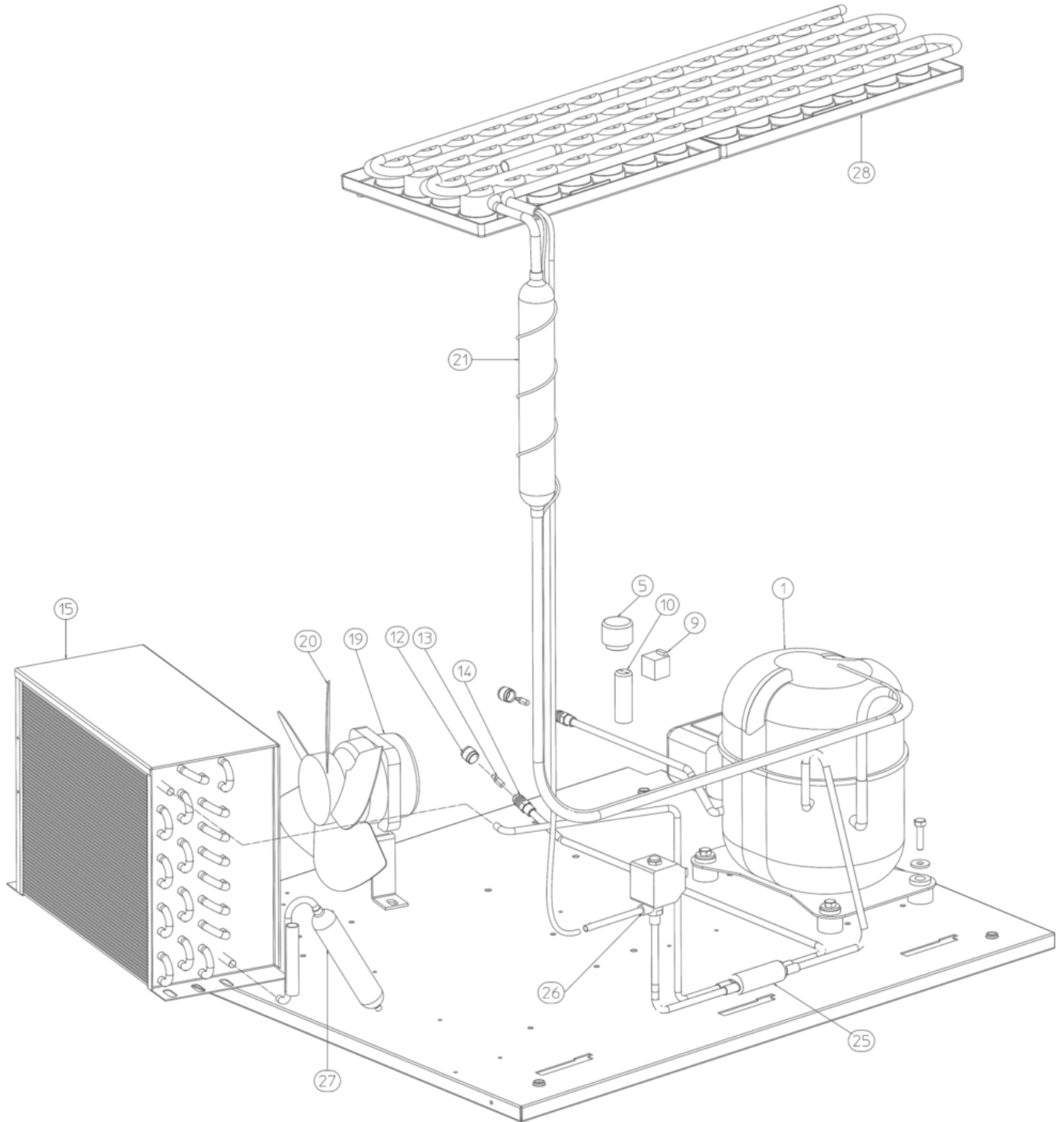
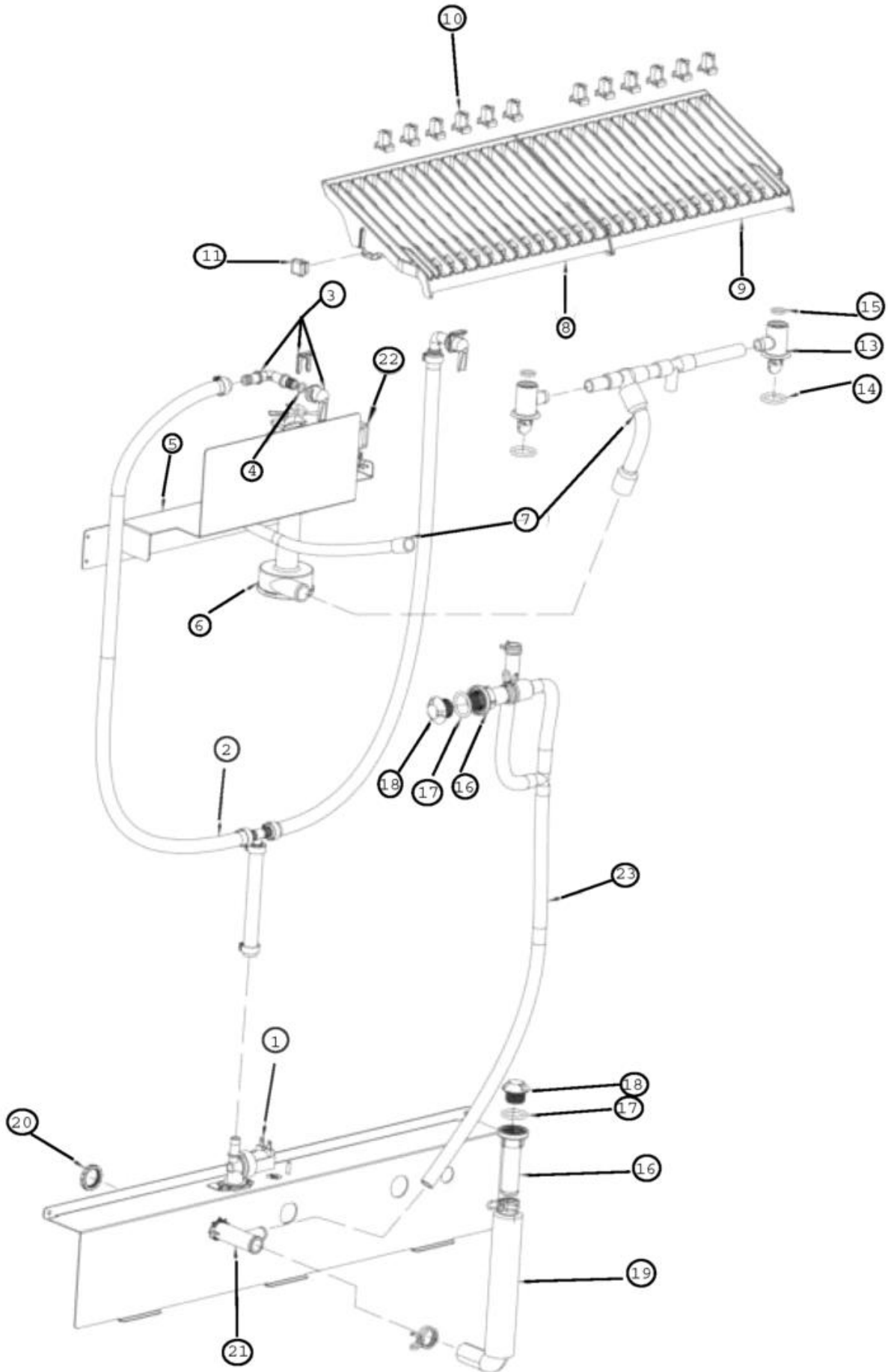


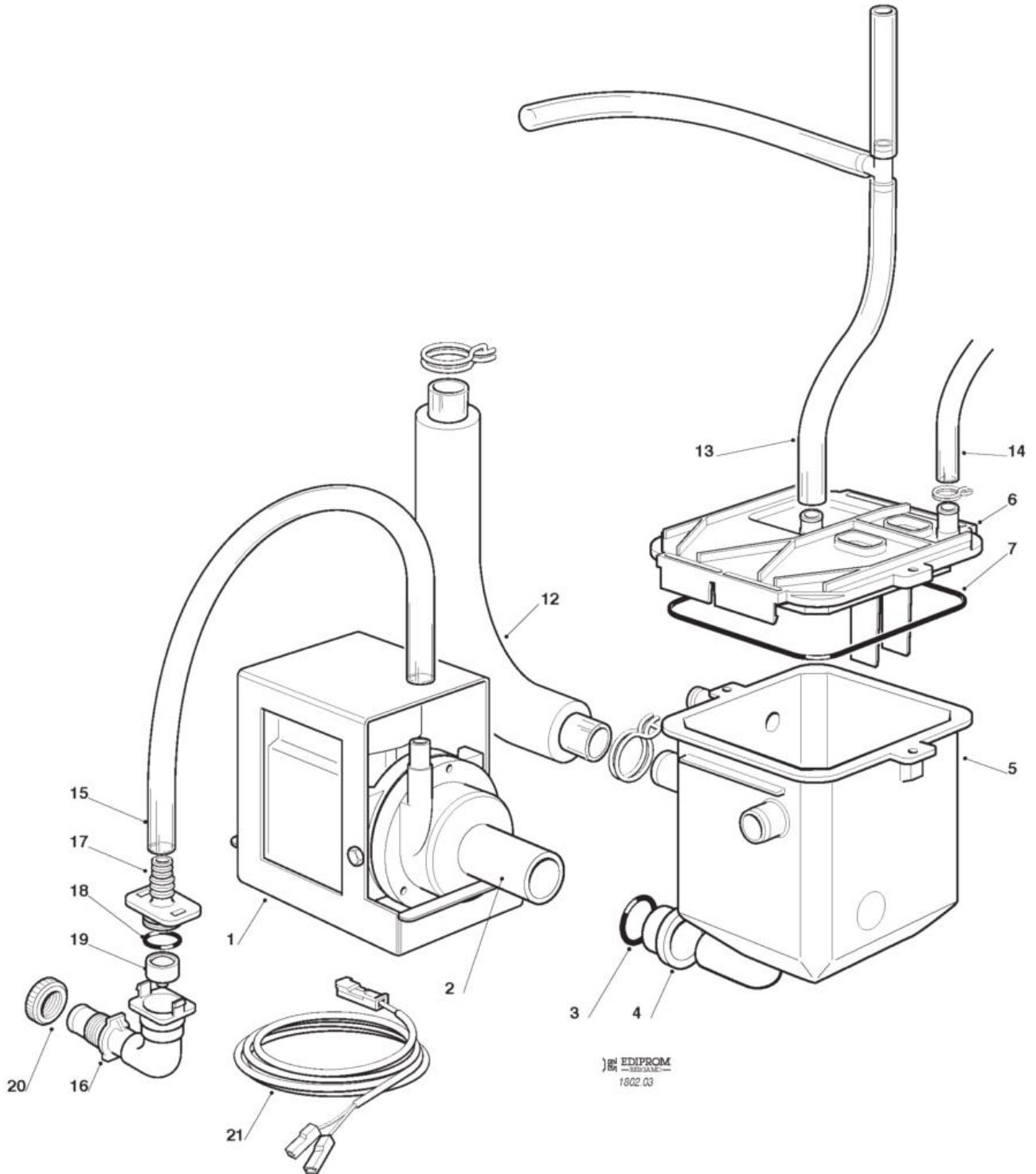
Pos	Code	Description
0001	SC702835 00	UNIT BASE
0002	SC782105 01R	STORAGE BIN ASSY
0004	SC660784 01	LEFT SIDE TRACK
0005	SC660784 00	RIGHT SIDE TRACK
0006	SC660388 00	CURTAIN BRACKET (LEFT)
0007	SC784457 09R	CURTAIN ASSY
0007	SC784457 12R	CURTAIN ASSY SMALL CUBE
0008	SC660388 01	CURTAIN BRACKET (RIGHT)
0009	SC660741 00	PLASTIC PLUG
0010	SC460047 00	SPRING
0011	SC660816 00	SHOCK ABSORBER
0012	SC660832 00	LEFT SIDE DOOR FRAME
0013	SC660832 01	RIGHT SIDE DOOR FRAME
0014	SC660785 01	UPPER DOOR FRAME
0015	SC660833 01	BOTTOM DOOR FRAME
0016	SC722882 00	LEFT SIDE PANEL
0017	SC722881 00	RIGHT SIDE PANEL
0018	SC702810 00	REAR PANEL
0019	SC702821 00	FITTING BRACKET
0021	SC781454 02R	TOP PANEL - AC 126-176
0024	SC721938 01	S.S.FRONT LINER
0025	SC660837 01	LEFT PLASTIC INSERT
0026	SC660837 00	RIGHT PLASTIC INSERT
0027	SC650850 00	SCOTSMAN EMBLEM
0028	SC722810 02	FRONT PANEL AC 176
0029	SC650850 00	SCOTSMAN EMBLEM
0031	SC660804 02	AIR FILTER SEAT
0032	SC660817 00	SLIDE AIR FILTER
0033	SC660805 02	AIR FILTER
0034	SC650624 07	LABEL
0035	SC660786 01	BIN DOOR
0036	SC660286 00	BUSHING
0039	SC651469 00	LEG
0040	SC661070 00	PLASTIC PROTECTION
0041	SC660839 05	EVAPORATOR CASE WITH INSERT AC-126/176



Pos	Code	Description
0001	SC670108 08	COMPRESSOR - 220-240/50/1
0005	SCEMB 2321121	PROTECTOR
0009	SCEMB 1253051	RELAY
0010	SCEMB 2252261	START CAPACITOR
0010	SCEMB 2253324	CAPACITOR (COD.2253324)
0012	SC650106 00	CAP
0013	SC670012 00	VALVE CORE
0014	SC650109 00	VALVE BODY
0019	SC620419 02	FAN MOTOR ATEX
0020	SC620419 33	BLADE
0021	SC784632 24	SUCTION LINE
0025	SC630137 01	MECHANICAL FILTER
0026	SC620306 46	HOT GAS VALVE BODY
0026	SC620306 48	HOT GAS VALVE COIL
0027	SC630003 11	FILTER
0028	SC784263 13	EVAPORATOR ASSY LARGE
0028	SC784767 00	EVAPORATOR ASSY
0028	SC784768 00	EVAPORATOR ASSY- SMALL CUBES

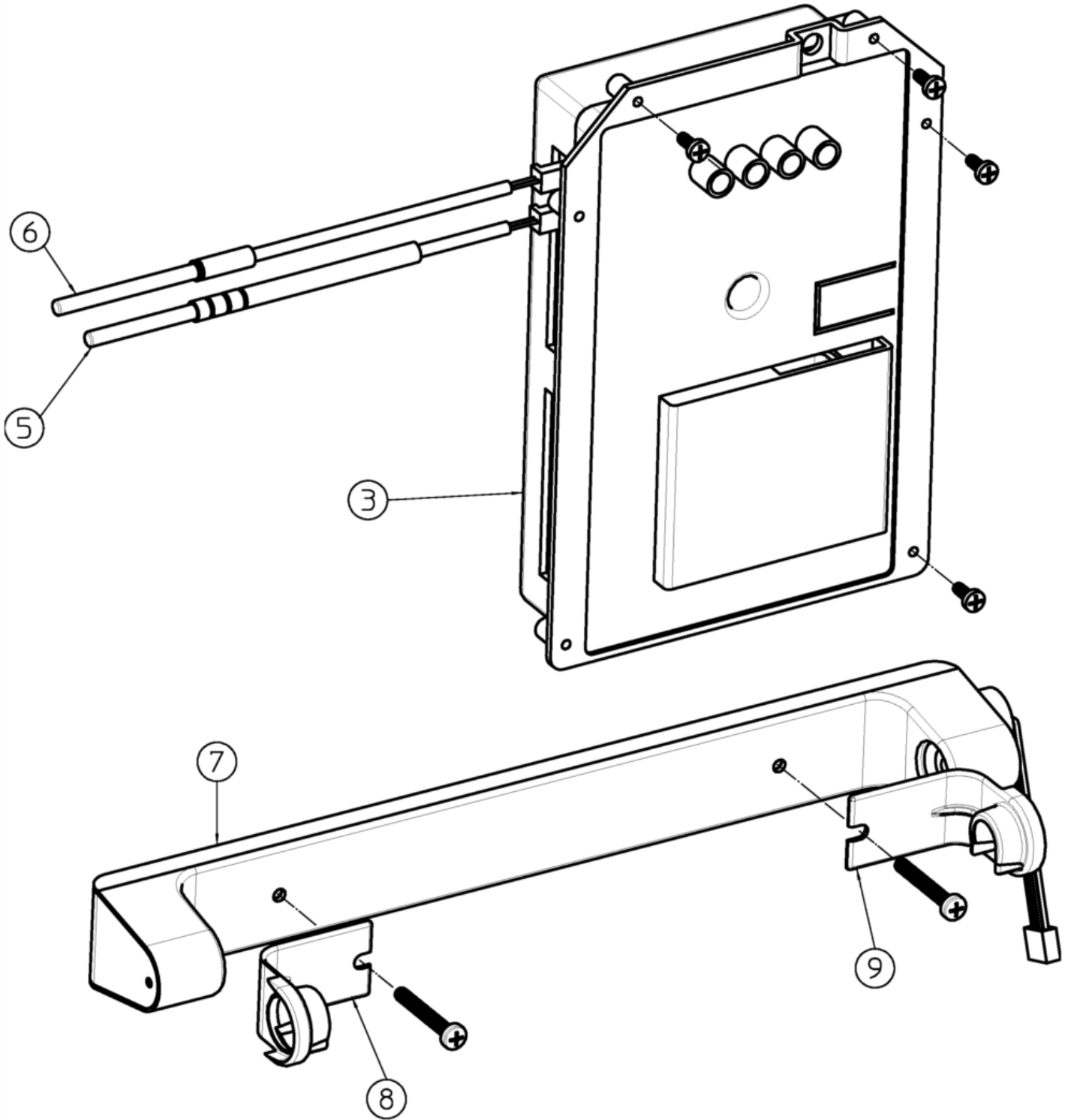


Pos	Code	Description
0001	SC650105 52	WATER INLET VALVE
0001	SC650105 55	WATER INLET VALVE 115/60/1 (03 23)
0002	SC281900 01	TUBE 16X10
0003	SC793172 00R	WATER INLET ASSY
0004	SC640041 31	O RING OR 2031 (WRAS-FDA)
0005	SC724415 00	PUMP BRACKET
0006	SC620430 10	USE SC620430 10R
0007	SC610206 00	TUBE
0008	SC661082 03	SPRAY BAR & CHUTE - LT
0009	SC661082 04	SPRAY BAR & CHUTE - RT
0010	SC660558 00R	SPRAY NOZZLE ( PACK OF 10 PCS)
0011	SC660557 00	SPRAY CUP
0013	SC660777 03	FITTING
0014	SC640134 00	O RING
0015	SC640041 32	O RING
0016	SC660219 01	BIN DRAIN
0017	SC640134 00	O RING
0018	SC660211 01	DRAIN FILTER
0019	SC610148 20	USE SC610148 10
0020	SC660535 00	PLASTIC NUT
0021	SC660224 00	TEE TUBE
0022	SC620460 00	WATER DRAIN VALVE

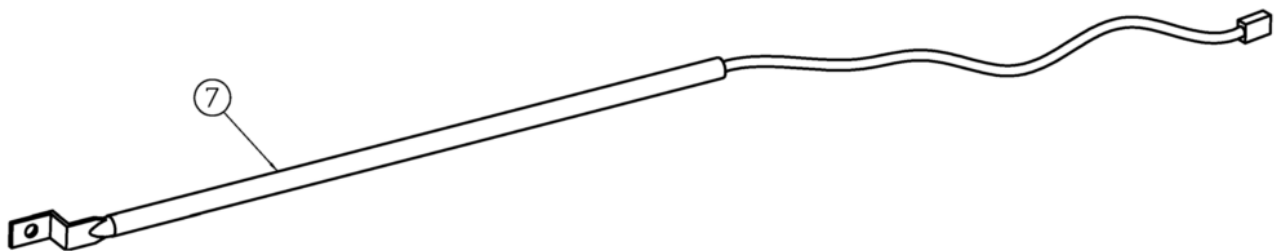
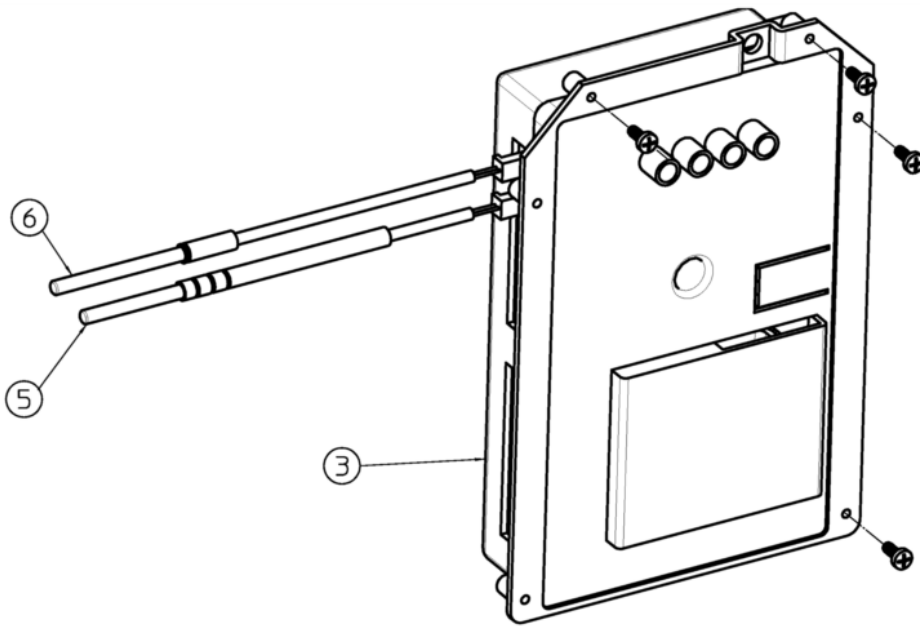


Pos	Code	Description
0001	SC702342 00	BRACKET PUMP
0002	SC620471 04R	PUMP 230/50/1 ATEX
0002	SC651682 00	PWD PUMP CONNECTION ISOLATION
0003	SC640041 44	O RING OR 3081
0004	SC661104 02	BUSHING
0005	SC651681 00	PWD TANK INSULATION RIGHT
0005	SC651681 01	PWD TANK INSULATION LEFT
0005	SC661103 00	TANK
0006	SC661102 05	SUMP COVER ASSY
0007	SC661102 05	SUMP COVER ASSY
0012	SC610148 10	TUBE
0013	SC610207 01	TUBO TROP.PIENO EC126/176
0014	SC281830 06	TUBE PVC
0015	SC281900 04	TUBE
0016	SC661104 00	WATER DRAIN FITTING-ELBOW
0017	SC661104 01	WATER INLET FITTING
0018	SC640041 43	O RING OR 2087 (WRAS-FDA)
0019	SC651444 00	NON RETURN VALVE
0020	SC660535 00	PLASTIC NUT
0021	SC620519 05	WATER LEVEL HARNESS

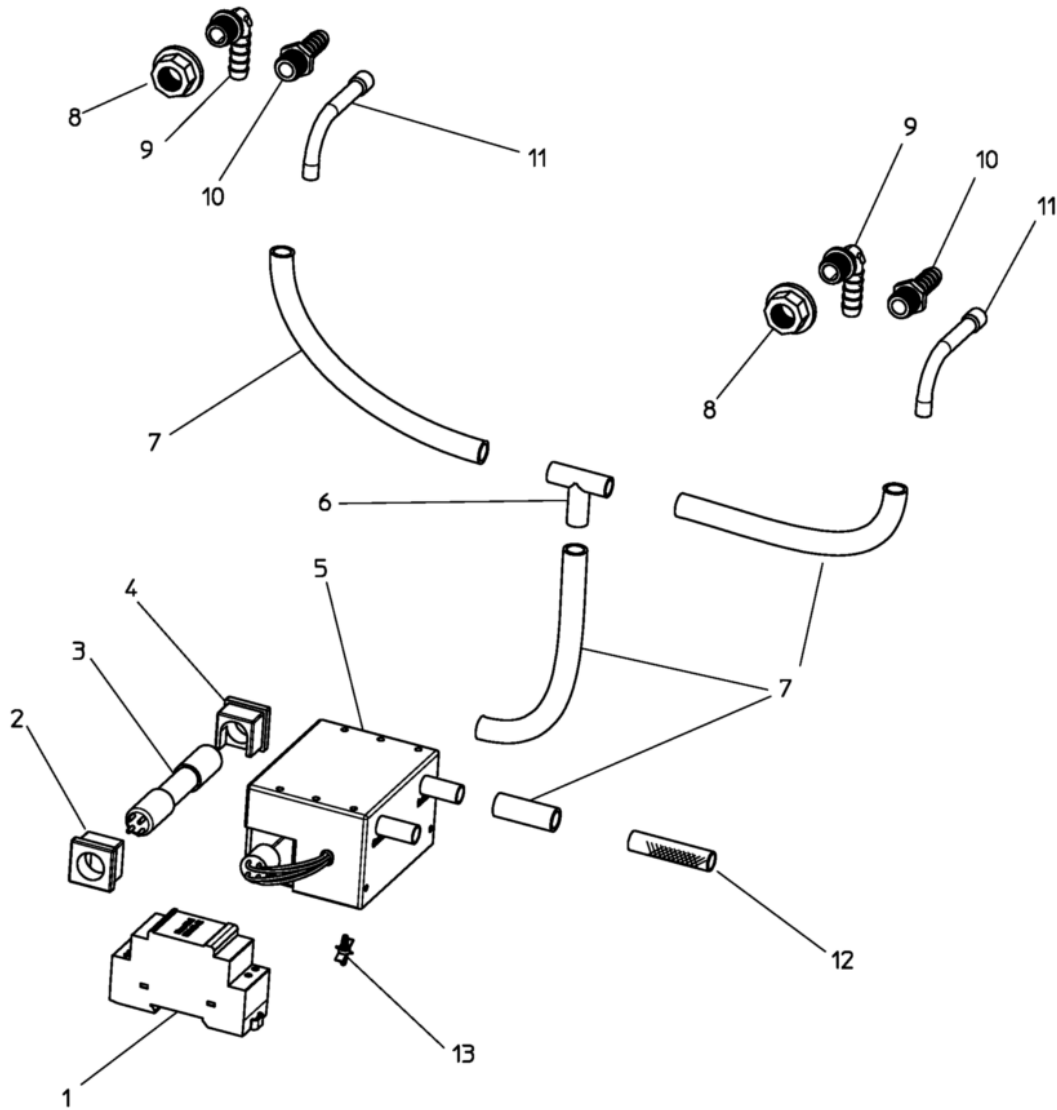




Pos	Code	Description
0003	SC620462 24	PC BOARD 230V INNOTECH ATEX
0005	SC620519 04	CONDENSER SENSOR NTC
0006	SC620519 01	EVAPORATOR SENSOR NTC
0007	SC650674 05	OPTICAL ICE LEVEL CTRL
0008	SC660720 00	PLASTIC PROTECTION LEFT
0009	SC660720 01	PLASTIC PROTECTION RIGHT



Pos	Code	Description
0003	SC620462 24	PC BOARD 230V INNOTECH ATEX
0005	SC620519 04	CONDENSER SENSOR NTC
0006	SC620519 01	EVAPORATOR SENSOR NTC
0007	SC620565 01	BIN LEVEL CTRL



Pos	Code	Description
0001	SC620648 00	POWER SUPPLY 12Vcc HDR-30-12
0002	SCR450-06603-1300	OPEN LAMP RUBBER CAP
0003	SC630102 00	BULB FOR XSAFE X-20
0004	SCR450-06603-1200	LAMP RUBBER CUP
0005	SC620649 00	OZONIZER XSAFE X-20
0006	SC660555 00	TEE FITTING
0007	SC281822 02	PLASTIC HOSE - PER METER
0008	SC651757 01	FERRULE 3/8
0009	SC651757 00	ELBOW FITTING 3/8
0010	SC651757 02	STRAIGHT FITTING 3/8
0011	SC734737 00R	OZONE INLET TUBE (COPPER)
0012	SC651760 00	OZONIZER FILTER
0013	SC651758 00	SPACER