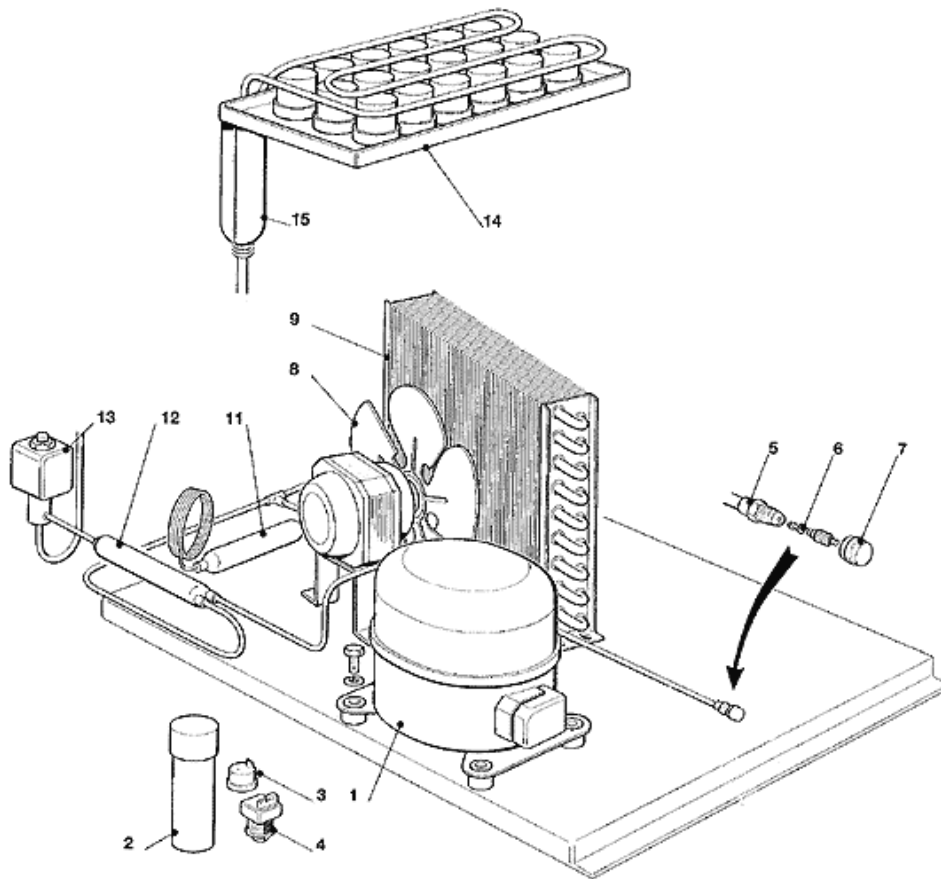
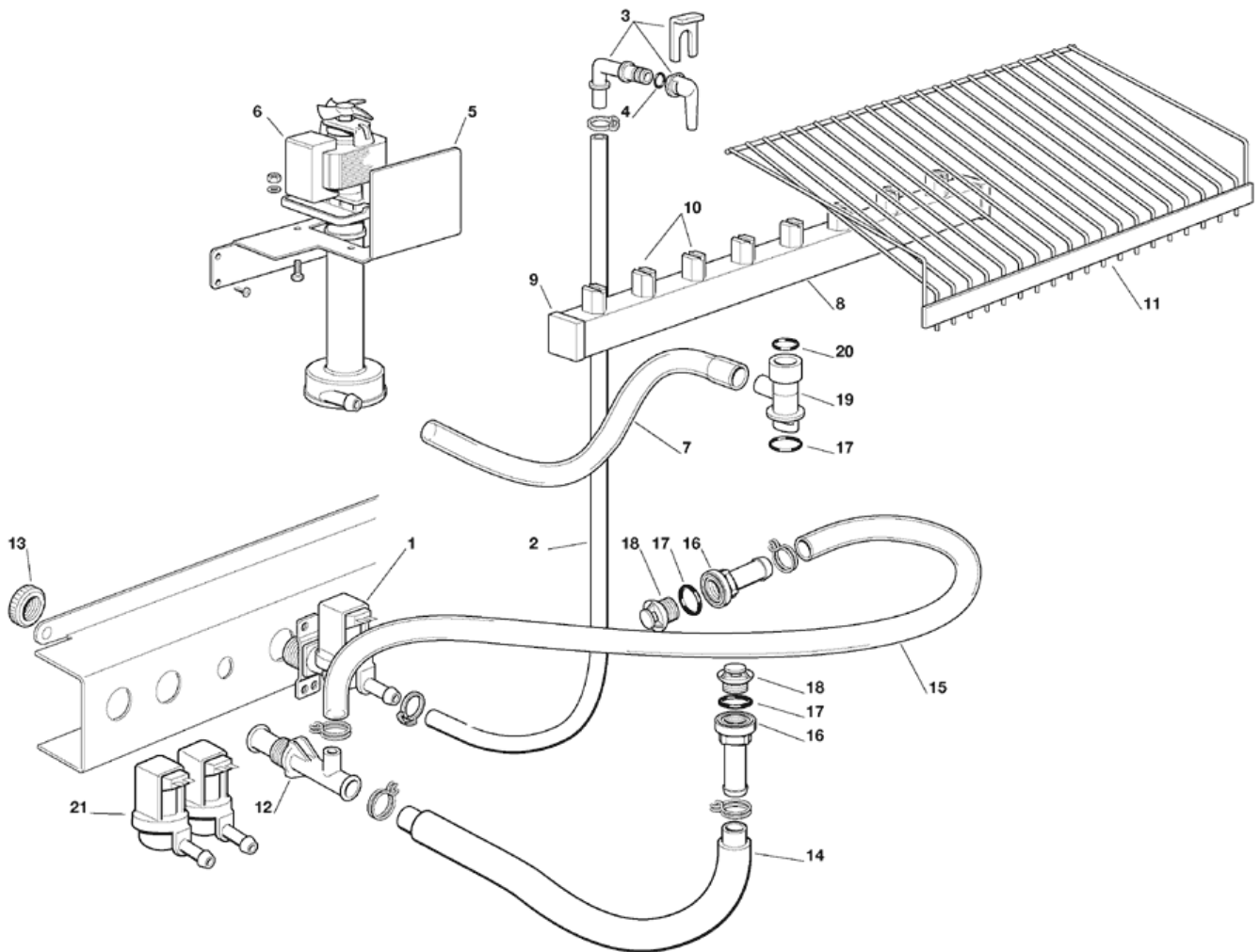


EDIPROM  
1501.08

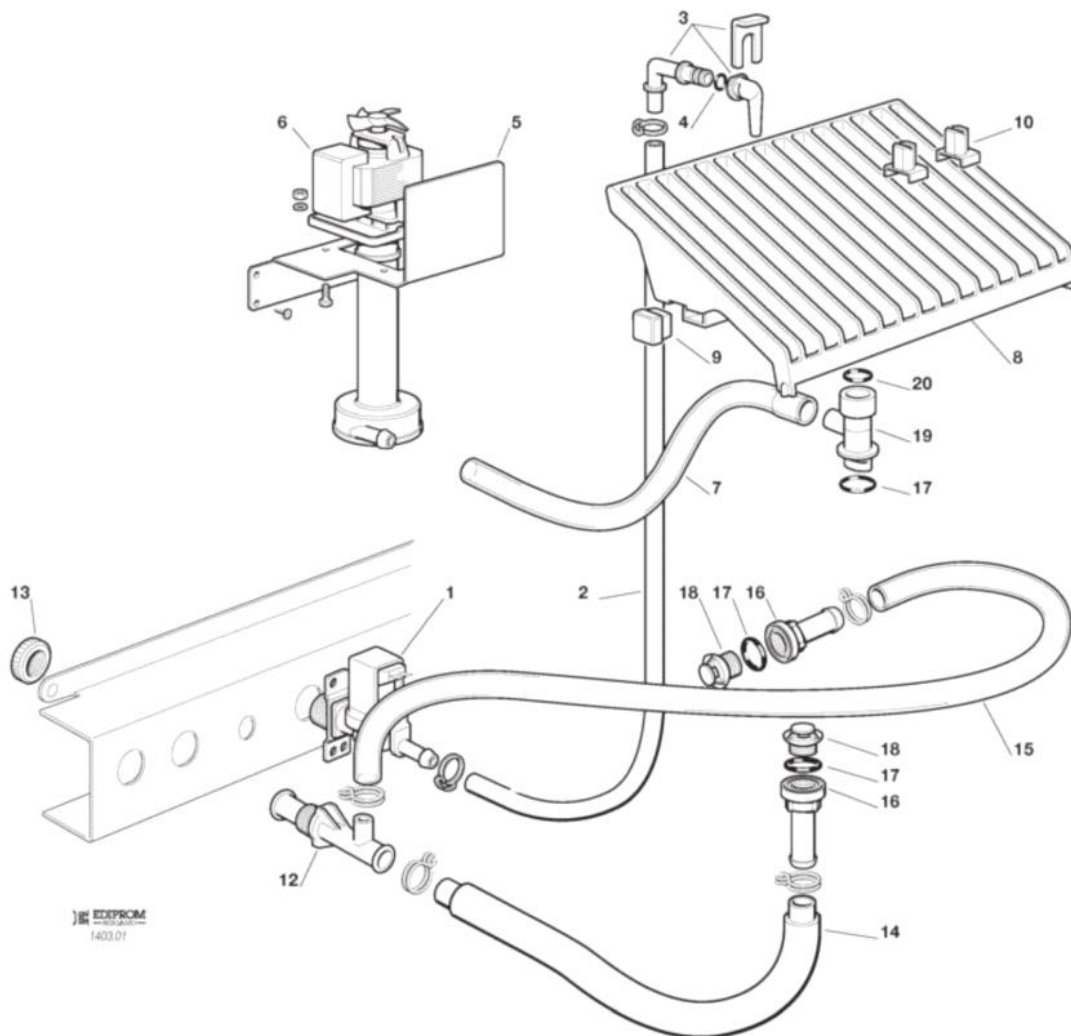
Pos	Code	Description
0001	SC702776 00	UNIT BASE
0002	SC782104 06R	STORAGE BIN ASSY
0003	SC660823 03	EVAPORATOR HOUSING
0004	SC660784 01	LEFT SIDE TRACK
0005	SC660784 00	RIGHT SIDE TRACK
0006	SC660388 01	CURTAIN BRACKET (RIGHT)
0007	SC784457 08R	CURTAIN ASSY
0008	SC660388 00	CURTAIN BRACKET (LEFT)
0009	SC660741 00	PLASTIC PLUG
0010	SC460047 00	SPRING
0011	SC660816 00	SHOCK ABSORBER
0012	SC660832 00	LEFT SIDE DOOR FRAME
0013	SC660832 01	RIGHT SIDE DOOR FRAME
0014	SC660785 00	UPPER DOOR FRAME
0015	SC660833 00	BOTTOM DOOR FRAME
0016	SC721969 01	LEFT SIDE PANEL
0017	SC721968 01	RIGHT SIDE PANEL
0018	SC702443 00	REAR PANEL
0019	SC702425 00	BRACKET
0020	SC660827 00	EVAPORATOR COVER
0021	SC721933 00	TOP PANEL
0022	SC650904 00	ISOLATION PANEL
0022	SC660828 00	BIN COVER
0023	SC470030 52	SCREW
0024	SC721938 00	S.S.FRONT LINER
0025	SC660837 01	LEFT PLASTIC INSERT
0026	SC660837 00	RIGHT PLASTIC INSERT
0027	SC702409 00	BRACKET
0028	SC722809 02	FRONT PANEL AC-107
0029	SC650850 00	SCOTSMAN EMBLEM
0031	SC660804 01	AIR FILTER SEAT
0032	SC660817 00	SLIDE AIR FILTER
0033	SC660805 01	AIR FILTER
0034	SC732017 00	BULB HOLDER
0035	SC660786 00	BIN DOOR
0036	SC660286 00	BUSHING
0037	SC661070 00	PLASTIC PROTECTION
0038	SC651469 00	LEG



Pos	Code	Description
0001	SC670108 00	COMPRESSOR NE U6210U 220-240/50/1
0002	SCEMB 2252346	CONDENSATORE 2252346
0003	SCEMB 2319147	PROTECTOR 2319147
0004	SCEMB 2334128	RELAY 2334128
0005	SC650109 00	VALVE BODY
0006	SC670012 00	VALVE CORE
0007	SC650106 00	CAP
0008	SC620419 02	FAN MOTOR ATEX
0008	SC620419 33	BLADE
0008	SC620419 63	BRACKET
0009	SC620626 00	AIR COOLED CONDENSER
0011	SC630003 11	FILTER
0012	SC630137 01	MECHANICAL FILTER
0013	SC620306 27	HOT GAS VALVE BODY
0013	SC620306 48	HOT GAS VALVE COIL
0014	SC784477 06	EVAPORATOR MEDIUM
0015	SC784632 25	SUCTION LINE ASSY

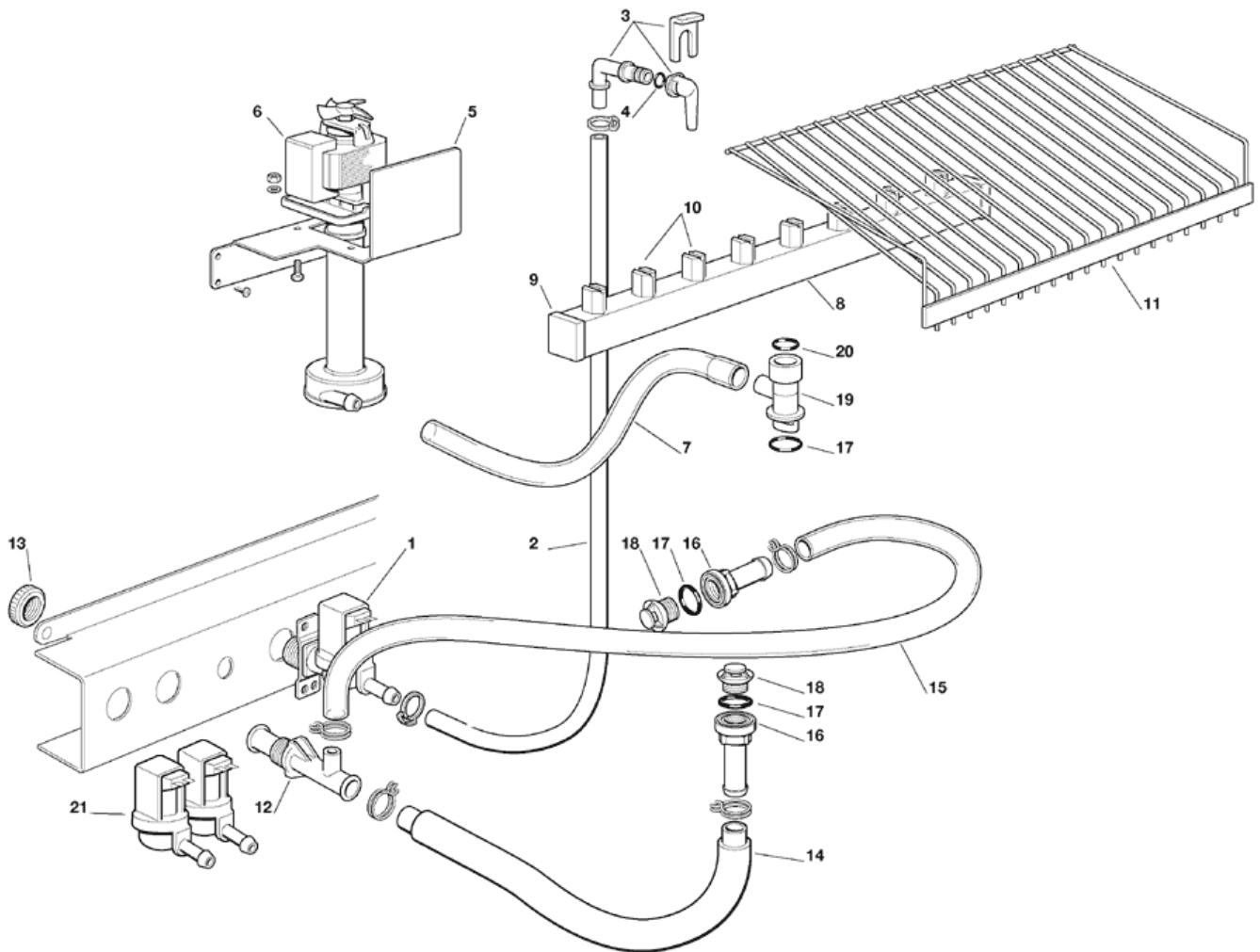


Pos	Code	Description
0001	SC650105 52	WATER INLET VALVE
0002	SC281900 01	TUBE 16X10
0003	SC793172 00R	WATER INLET ASSY
0004	SC640041 31	O RING OR 2031 (WRAS-FDA)
0005	SC721937 00	PUMP BRACKET
0006	SC620423 01	USE SC620423 01R
0007	SC610150 04	USE SC610150 08
0008	SC650665 34	SPRAY TUBE
0008	SC661082 05	SPRAY BAR & CHUTE
0009	SC660557 00	SPRAY CUP
0010	SC660558 00R	SPRAY NOZZLE ( PACK OF 10 PCS)
0011	SC650741 00	CUBE DEFLECTOR - LARGE
0011	SC661082 05	SPRAY BAR & CHUTE
0012	SC660224 00	TEE TUBE
0013	SC660535 00	PLASTIC NUT
0014	SC610148 10	TUBE
0015	SC610204 00	TUBE
0016	SC660219 02	DRAIN FITTING
0017	SC640134 00	O RING
0018	SC660211 01	DRAIN FILTER
0019	SC660777 03	FITTING
0020	SC640041 32	O RING
0021	SC650105 66	WATER INLET VALVE ASSY

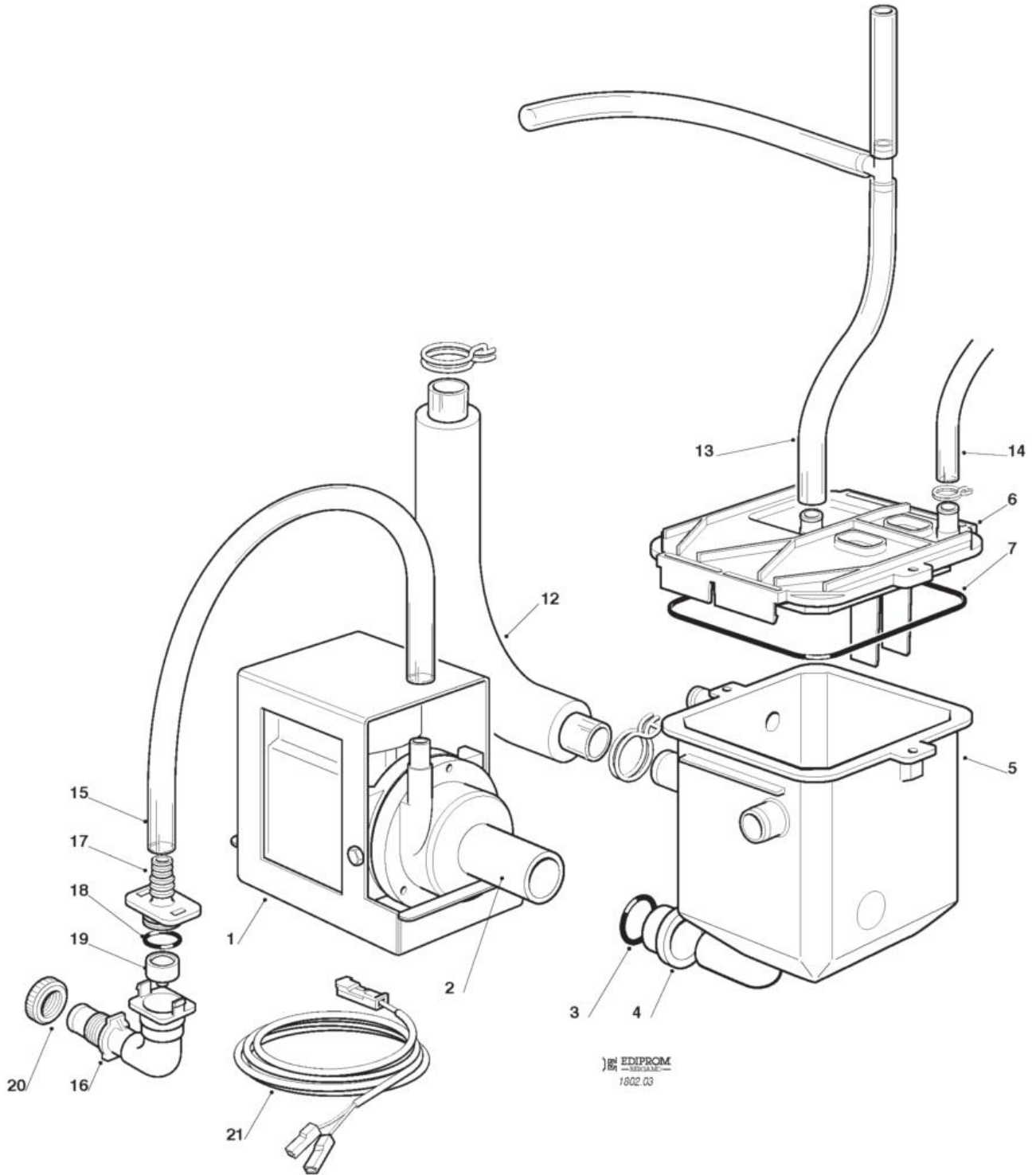


Pos	Code	Description
0001	SC650105 52	WATER INLET VALVE
0002	SC281900 01	TUBE 16X10
0003	SC793172 00R	WATER INLET ASSY
0004	SC640041 31	O RING OR 2031 (WRAS-FDA)
0005	SC721937 00	PUMP BRACKET
0006	SC620423 01	USE SC620423 01R
0007	SC610150 04	USE SC610150 08
0008	SC661082 05	SPRAY BAR & CHUTE
0009	SC660557 00	SPRAY CUP
0010	SC660558 00R	SPRAY NOZZLE ( PACK OF 10 PCS)
0012	SC660224 00	TEE TUBE
0013	SC660535 00	PLASTIC NUT
0014	SC610148 10	TUBE
0015	SC610204 00	TUBE
0016	SC660219 02	DRAIN FITTING
0017	SC640134 00	O RING
0018	SC660211 01	DRAIN FILTER
0019	SC660777 03	FITTING
0020	SC640041 32	O RING

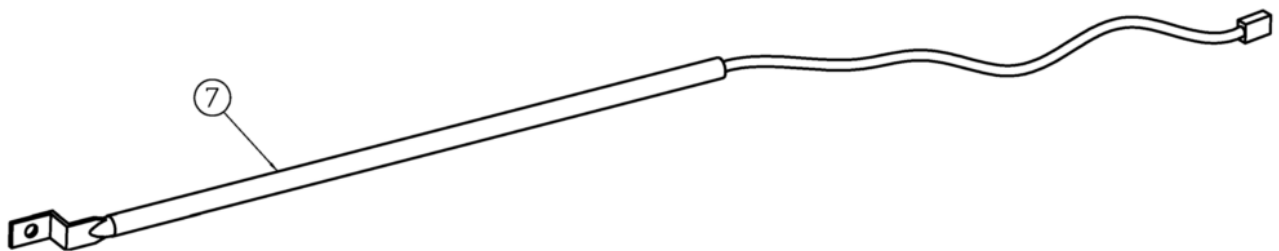
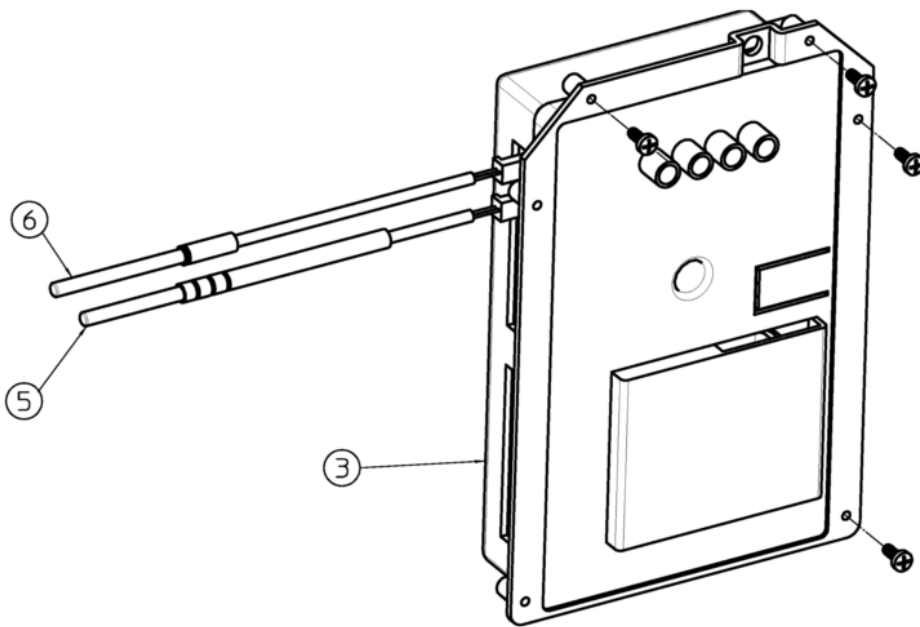




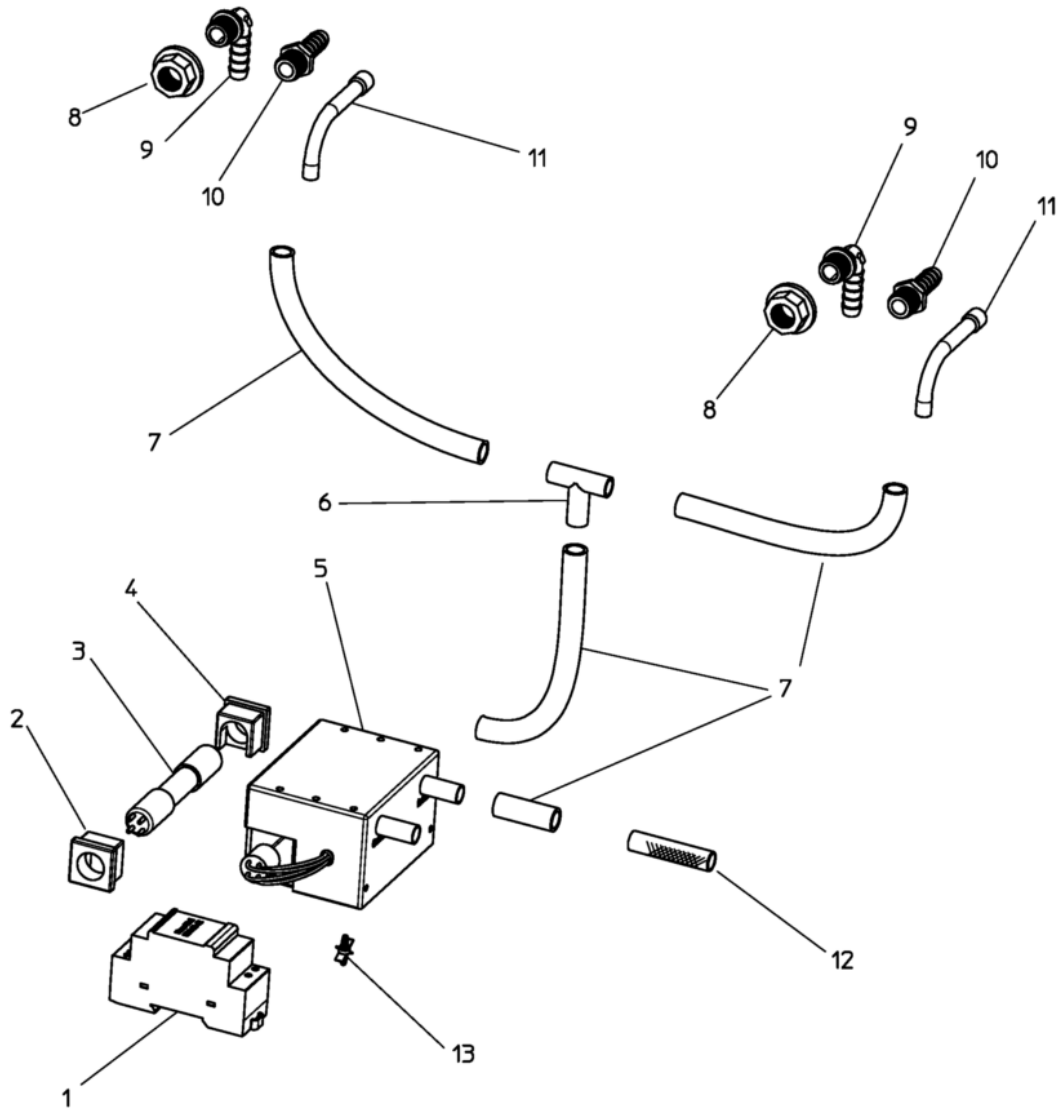
Pos	Code	Description
0001	SC650105 52	WATER INLET VALVE
0002	SC281900 01	TUBE 16X10
0003	SC793172 00R	WATER INLET ASSY
0004	SC640041 31	O RING OR 2031 (WRAS-FDA)
0005	SC721937 00	PUMP BRACKET
0006	SC620423 01	USE SC620423 01R
0007	SC610150 04	USE SC610150 08
0008	SC650665 34	SPRAY TUBE
0008	SC661082 05	SPRAY BAR & CHUTE
0009	SC660557 00	SPRAY CUP
0010	SC660558 00R	SPRAY NOZZLE ( PACK OF 10 PCS)
0011	SC650741 00	CUBE DEFLECTOR - LARGE
0011	SC661082 05	SPRAY BAR & CHUTE
0012	SC660224 00	TEE TUBE
0013	SC660535 00	PLASTIC NUT
0014	SC610148 10	TUBE
0015	SC610204 00	TUBE
0016	SC660219 02	DRAIN FITTING
0017	SC640134 00	O RING
0018	SC660211 01	DRAIN FILTER
0019	SC660777 03	FITTING
0020	SC640041 32	O RING
0021	SC650105 66	WATER INLET VALVE ASSY



Pos	Code	Description
0001	SC702734 00	BRACKET
0002	SC620471 04R	PUMP 230/50/1 ATEX
0002	SC651682 00	PWD PUMP CONNECTION ISOLATION
0003	SC640041 44	O RING OR 3081
0004	SC661104 02	BUSHING
0005	SC651681 00	PWD TANK INSULATION RIGHT
0005	SC651681 01	PWD TANK INSULATION LEFT
0005	SC661103 00	TANK
0006	SC661102 05	SUMP COVER ASSY
0007	SC661102 05	SUMP COVER ASSY
0012	SC610148 10	TUBE
0013	SC610182 08	TUBO SCARICO ASSIEMATO
0014	SC281830 06	TUBE PVC
0015	SC281900 04	TUBE
0016	SC661104 00	WATER DRAIN FITTING-ELBOW
0017	SC661104 01	WATER INLET FITTING
0018	SC640041 43	O RING OR 2087 (WRAS-FDA)
0019	SC651444 00	NON RETURN VALVE
0020	SC660535 00	PLASTIC NUT
0021	SC620519 05	WATER LEVEL HARNESS



Pos	Code	Description
0003	SC620462 24	PC BOARD 230V INNOTECH ATEX
0005	SC620519 04	CONDENSER SENSOR NTC
0006	SC620519 01	EVAPORATOR SENSOR NTC
0007	SC620565 01	BIN LEVEL CTRL



Pos	Code	Description
0001	SC620648 00	POWER SUPPLY 12Vcc HDR-30-12
0002	SCR450-06603-1300	OPEN LAMP RUBBER CAP
0003	SC630102 00	BULB FOR XSAFE X-20
0004	SCR450-06603-1200	LAMP RUBBER CUP
0005	SC620649 00	OZONIZER XSAFE X-20
0006	SC660555 00	TEE FITTING
0007	SC281822 02	PLASTIC HOSE - PER METER
0008	SC651757 01	FERRULE 3/8
0009	SC651757 00	ELBOW FITTING 3/8
0010	SC651757 02	STRAIGHT FITTING 3/8
0011	SC734737 00R	OZONE INLET TUBE (COPPER)
0012	SC651760 00	OZONIZER FILTER
0013	SC651758 00	SPACER