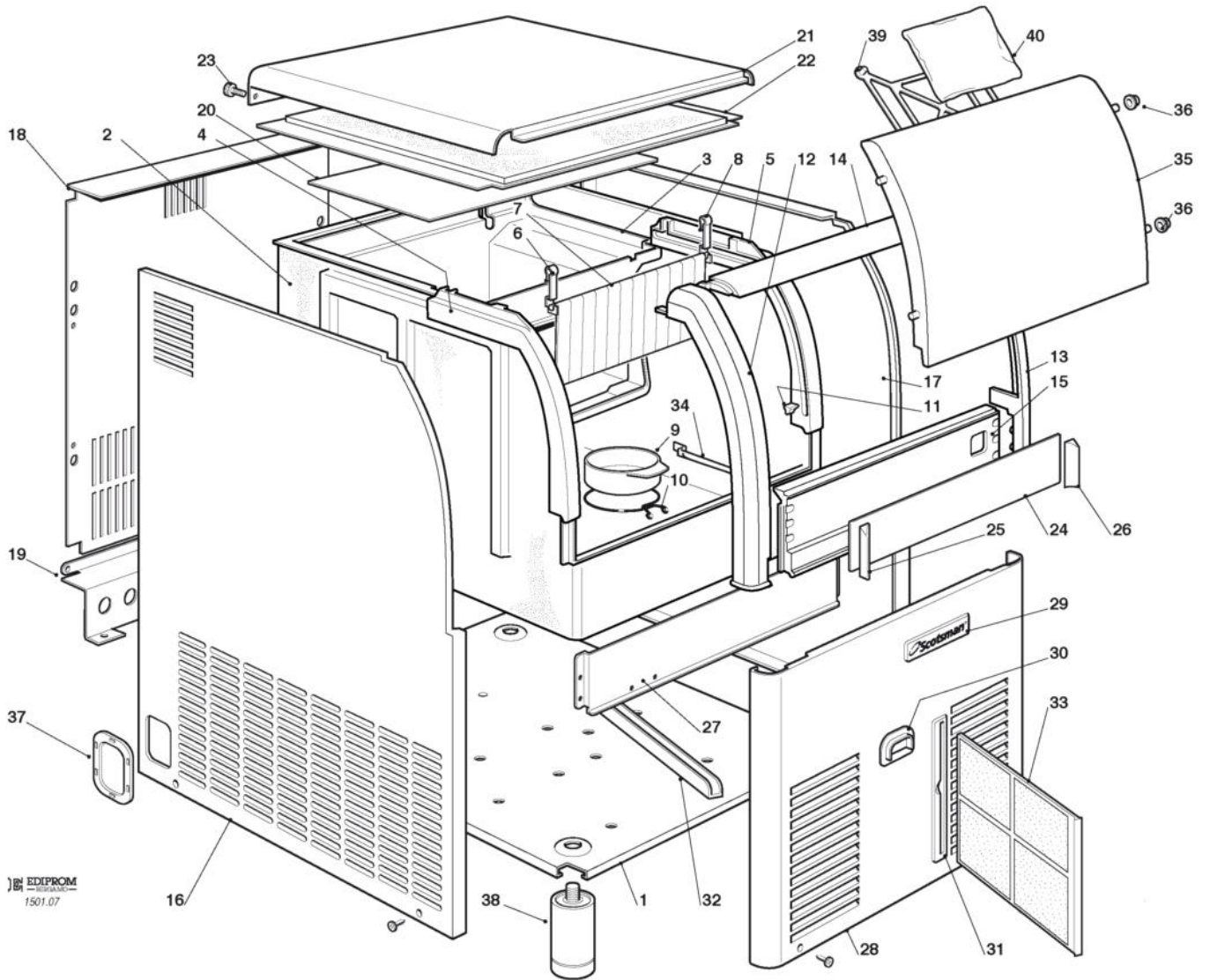
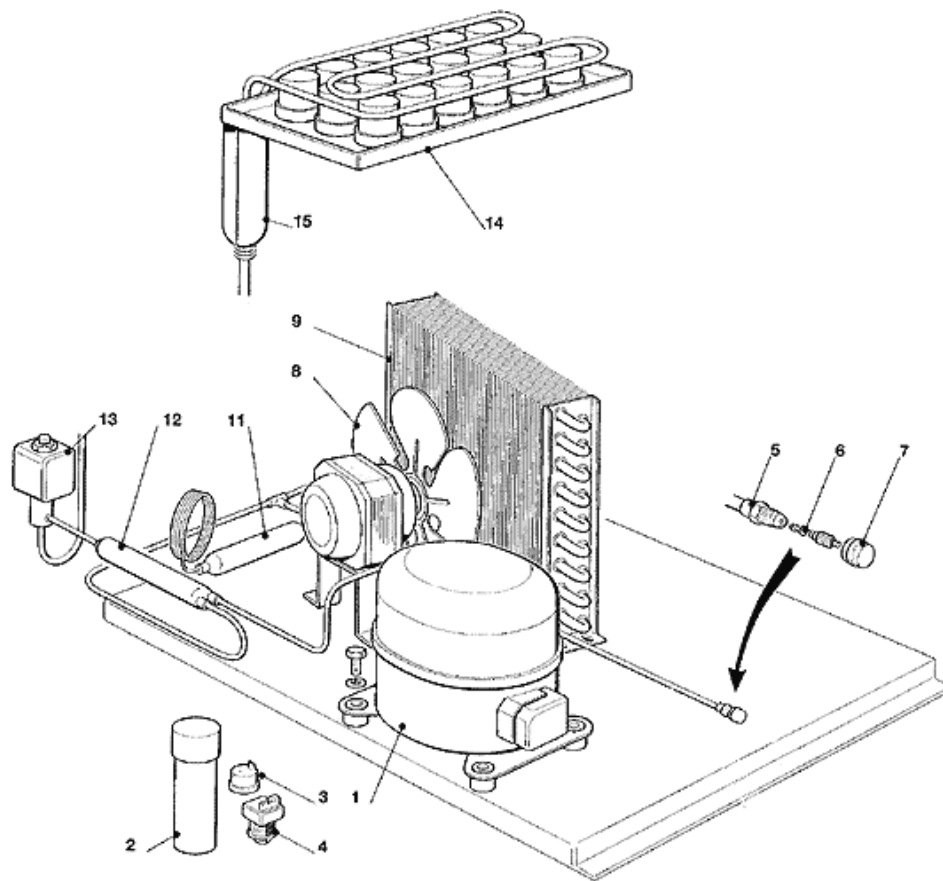


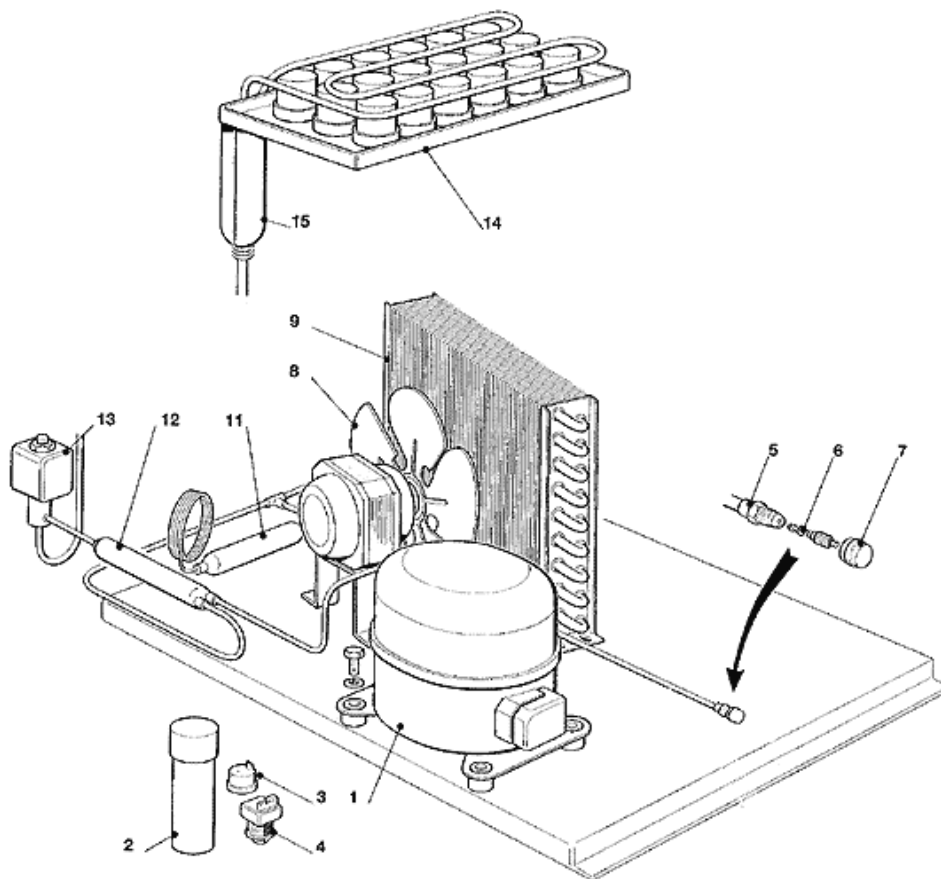
Pos	Code	Description
0001	SC791087 00	UNIT BASE ASSY
0002	SC782104 01R	INSUL. STORAGE BIN ASSY
0003	SC660823 03	EVAPORATOR HOUSING
0004	SC660784 01	LEFT SIDE TRACK
0005	SC660784 00	RIGHT SIDE TRACK
0006	SC660388 00	CURTAIN BRACKET (LEFT)
0007	SC784457 08R	CURTAIN ASSY
0008	SC660388 01	CURTAIN BRACKET (RIGHT)
0009	SC660741 00	PLASTIC PLUG
0010	SC460047 00	SPRING
0011	SC660816 00	SHOCK ABSORBER
0012	SC660832 00	LEFT SIDE DOOR FRAME
0013	SC660832 01	RIGHT SIDE DOOR FRAME
0014	SC660785 00	UPPER DOOR FRAME
0015	SC660833 00	BOTTOM DOOR FRAME
0016	SC721969 01	LEFT SIDE PANEL
0017	SC721968 01	RIGHT SIDE PANEL
0018	SC702443 00	REAR PANEL
0019	SC702425 00	BRACKET
0020	SC660827 00	EVAPORATOR COVER
0021	SC721933 00	TOP PANEL
0022	SC650904 00	ISOLATION PANEL
0022	SC660828 00	BIN COVER
0023	SC650806 00	PIVOT
0024	SC721938 00	S.S.FRONT LINER
0025	SC660837 01	LEFT PLASTIC INSERT
0026	SC660837 00	RIGHT PLASTIC INSERT
0027	SC702409 00	BRACKET
0028	SC721967 00	FRONT PANEL
0028	SC721967 01	FRONT PANEL
0029	SC650850 00	SCOTSMAN EMBLEM
0030	SC660829 00	FRONT SWITCH PLASTIC PROT
0031	SC660804 01	AIR FILTER SEAT
0032	SC660817 00	SLIDE AIR FILTER
0033	SC660805 01	AIR FILTER
0034	SC650624 07	LABEL
0035	SC660786 00	BIN DOOR
0036	SC660286 00	BUSHING
0037	SC660831 00	ANTIBACTERIAS GRILL BAG - NLA
0038	SC650909 00	NO LONGER AVAILABLE
0039	SC650670 00	USE SC650670 05



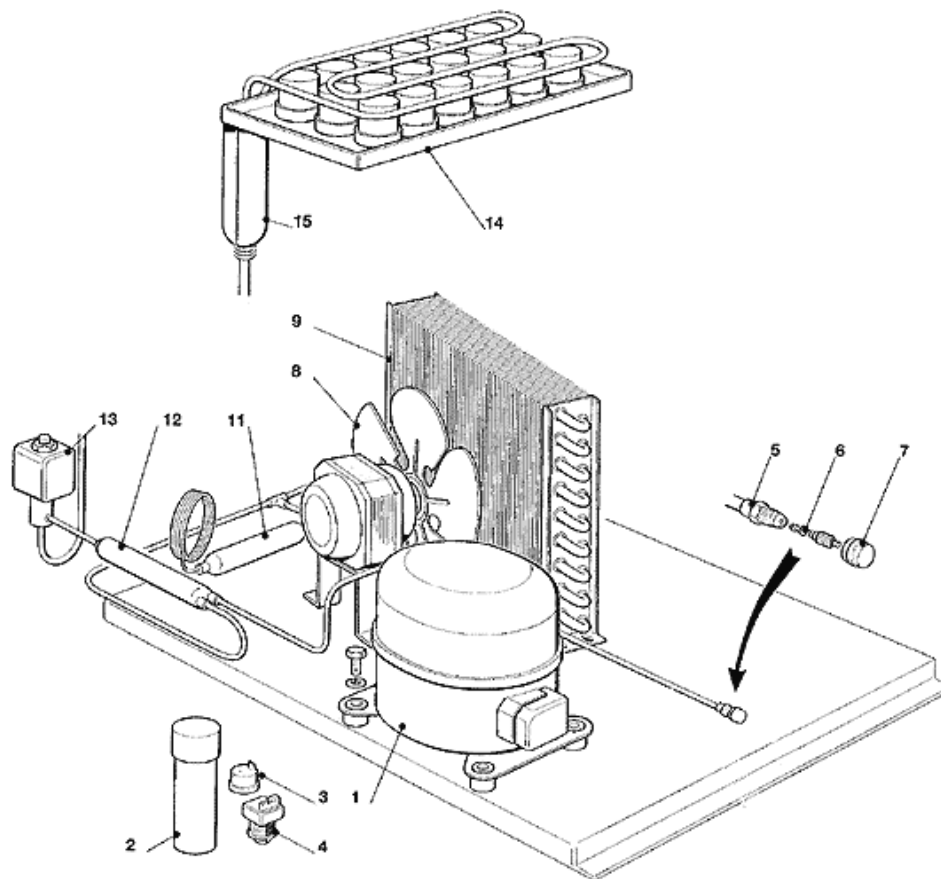
Pos	Code	Description
0001	SC702776 00	UNIT BASE
0002	SC782104 01R	INSUL. STORAGE BIN ASSY
0003	SC660823 03	EVAPORATOR HOUSING
0004	SC660784 01	LEFT SIDE TRACK
0005	SC660784 00	RIGHT SIDE TRACK
0006	SC660388 01	CURTAIN BRACKET (RIGHT)
0007	SC784457 08R	CURTAIN ASSY
0008	SC660388 00	CURTAIN BRACKET (LEFT)
0009	SC660741 00	PLASTIC PLUG
0010	SC460047 00	SPRING
0011	SC660816 00	SHOCK ABSORBER
0012	SC660832 00	LEFT SIDE DOOR FRAME
0013	SC660832 01	RIGHT SIDE DOOR FRAME
0014	SC660785 00	UPPER DOOR FRAME
0015	SC660833 00	BOTTOM DOOR FRAME
0016	SC721969 01	LEFT SIDE PANEL
0017	SC721968 01	RIGHT SIDE PANEL
0018	SC702443 00	REAR PANEL
0019	SC702425 00	BRACKET
0020	SC660827 00	EVAPORATOR COVER
0021	SC721933 00	TOP PANEL
0022	SC650904 00	ISOLATION PANEL
0022	SC660828 00	BIN COVER
0023	SC470030 52	SCREW
0024	SC721938 00	S.S.FRONT LINER
0025	SC660837 01	LEFT PLASTIC INSERT
0026	SC660837 00	RIGHT PLASTIC INSERT
0027	SC702409 00	BRACKET
0028	SC722809 00	FRONT PANEL
0028	SC722809 01	FRONT PANEL
0029	SC650850 00	SCOTSMAN EMBLEM
0030	SC660829 00	FRONT SWITCH PLASTIC PROT
0031	SC660804 01	AIR FILTER SEAT
0032	SC660817 00	SLIDE AIR FILTER
0033	SC660805 01	AIR FILTER
0034	SC732017 00	BULB HOLDER
0035	SC660786 00	BIN DOOR
0036	SC660286 00	BUSHING
0038	SC651469 00	LEG
0039	SC660831 00	ANTIBACTERIAS GRILL BAG - NLA
0040	SC650909 00	NO LONGER AVAILABLE



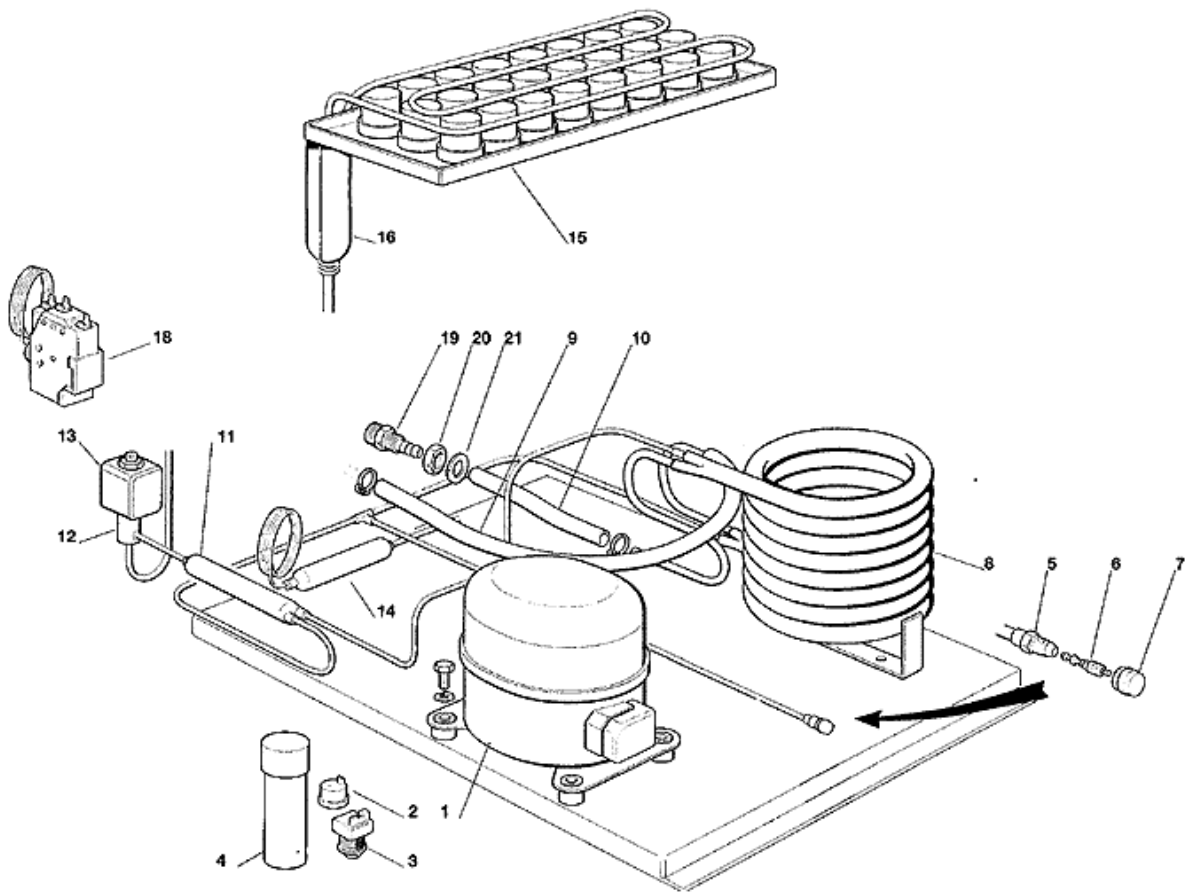
Pos	Code	Description
0001	SC670100 01	COMPRESSOR 230/50/1
0001	SC670100 08	COMPRESSOR 230/60/1
0002	SCCUB 102661	START CAPACITOR
0003	SCCUB 102190	PROTECTOR
0003	SCCUB 102200	PROTECTOR
0004	SCCUB 405177	RELAY
0004	SCCUB 405178	RELAY
0005	SC650109 00	VALVE BODY
0006	SC670012 00	VALVE CORE
0007	SC650106 00	CAP
0008	SC620419 02	FAN MOTOR ATEX
0008	SC620419 03	FAN MOTOR ATEX
0008	SC620419 33	BLADE
0008	SC620419 63	BRACKET
0009	SC620455 00	AIR COOLED CONDENSER
0011	SC630003 05	DRIER
0012	SC630137 01	MECHANICAL FILTER
0013	SC620306 27	HOT GAS VALVE BODY
0013	SC620306 48	HOT GAS VALVE COIL
0014	SC784477 05	EVAPORATOR LARGE
0014	SC784477 06	EVAPORATOR MEDIUM
0015	SC784632 03	ACCUMULATOR



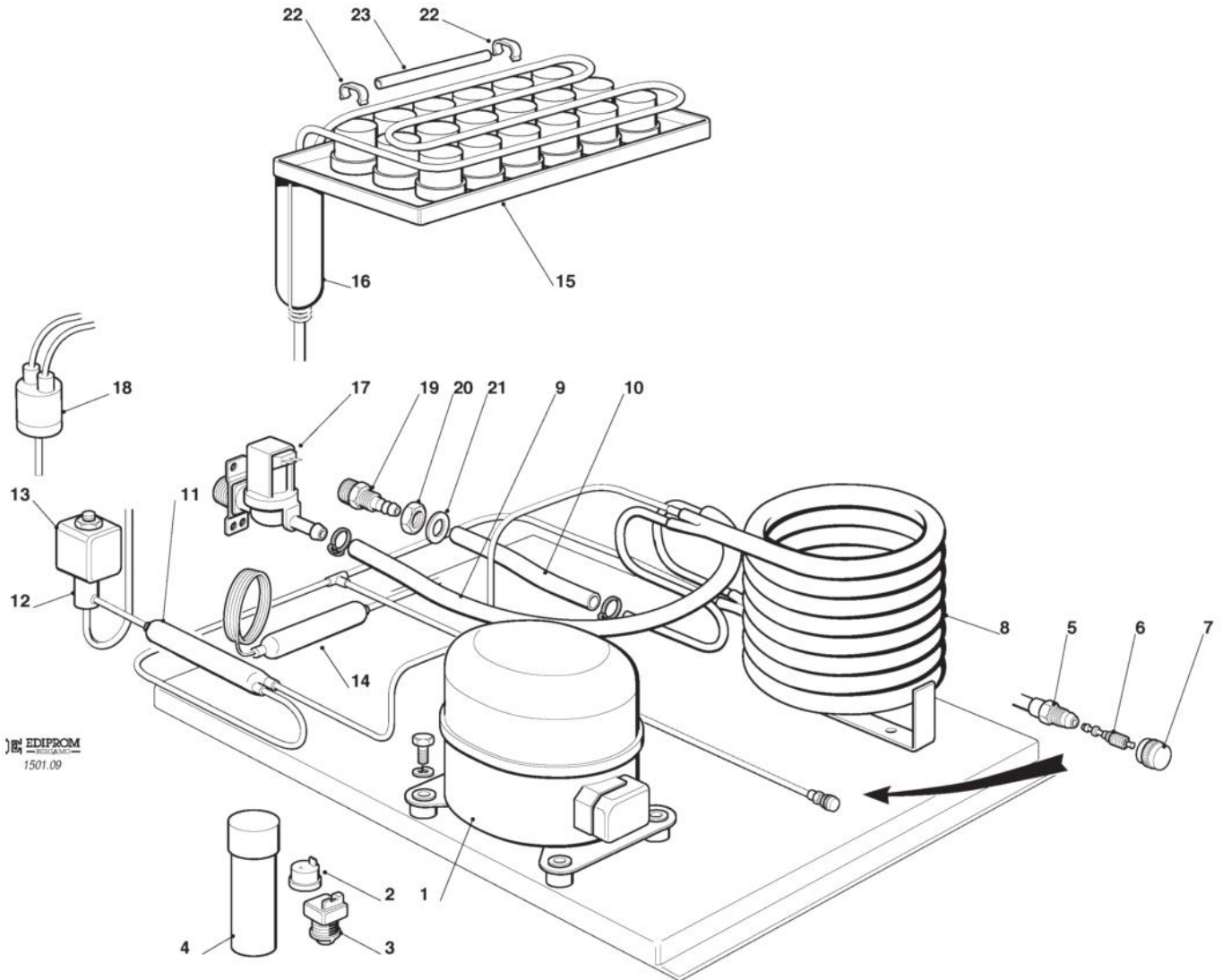
Pos	Code	Description
0001	SC670105 06	COMP. NEK6210Z 230/50-60/1
0001	SC670106 06	COM.AE4450Y-FZ1C 220-240(WXAE-1020-BF-M)
0002	SC620167 01	START.CAP. - 8640161
0002	SCEMB 2252352	CAPACITOR
0003	SC620058 71	PROTECTOR - 8670285
0003	SCEMB 2319101	PROTECTOR
0004	SC620057 42	RELAY - 8662664
0004	SCEMB 2334112	RELAY
0005	SC650109 00	VALVE BODY
0006	SC670012 00	VALVE CORE
0007	SC650106 00	CAP
0008	SC620419 02	FAN MOTOR ATEX
0008	SC620419 03	FAN MOTOR ATEX
0008	SC620419 33	BLADE
0008	SC620419 63	BRACKET
0009	SC620455 00	AIR COOLED CONDENSER
0011	SC630003 03	FILTER
0012	SC630137 01	MECHANICAL FILTER
0013	SC620306 27	HOT GAS VALVE BODY
0013	SC620306 48	HOT GAS VALVE COIL
0014	SC784477 05	EVAPORATOR LARGE
0014	SC784477 06	EVAPORATOR MEDIUM
0015	SC784632 03	ACCUMULATOR



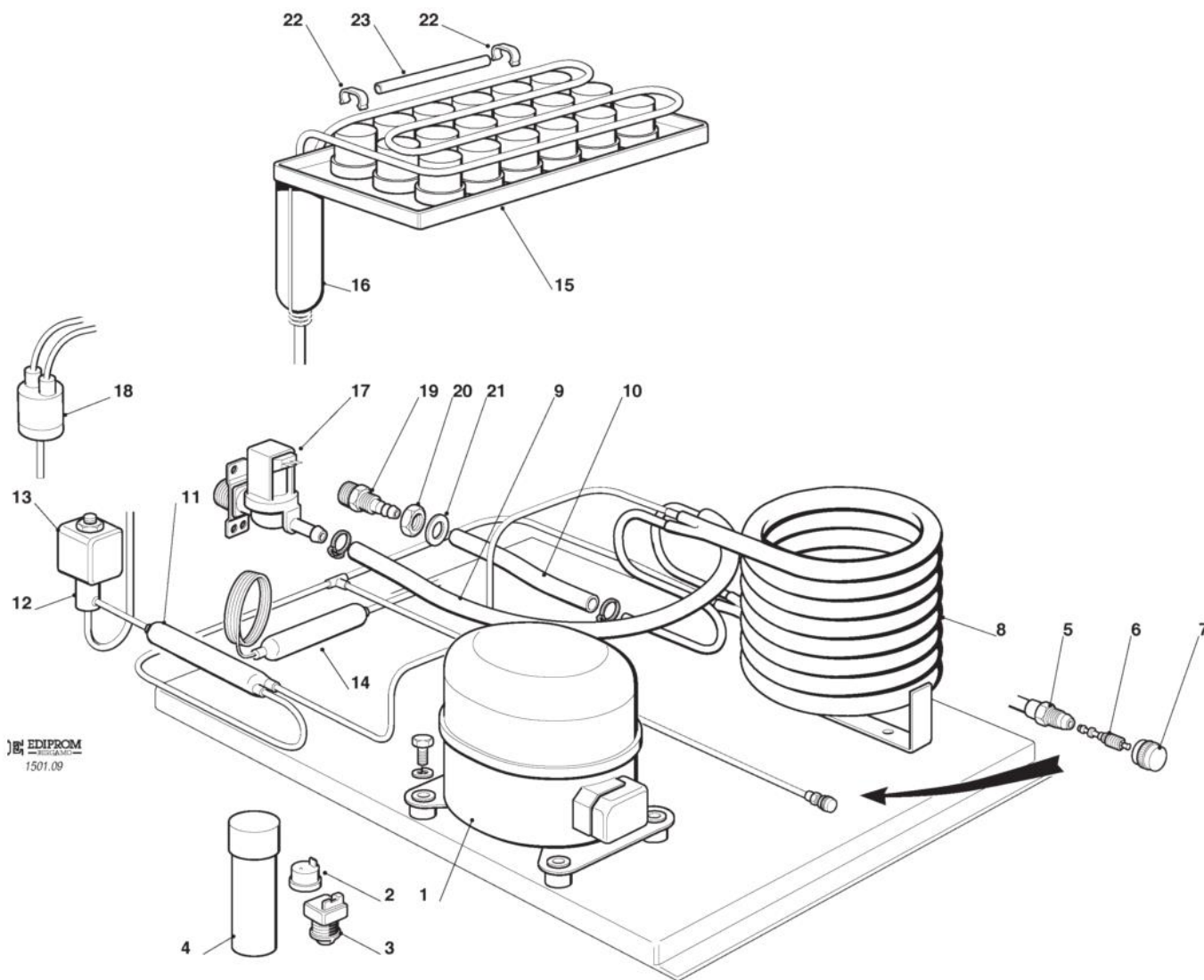
Pos	Code	Description
0001	SC670105 06	COMP. NEK6210Z 230/50-60/1
0001	SC670106 06	COM.AE4450Y-FZ1C 220-240(WXAE-1020-BF-M)
0002	SC620167 00	START.CAP. - 8640162
0002	SCEMB 2252352	CAPACITOR
0003	SC620478 19	PROTECTOR - 8570624
0003	SCEMB 2319101	PROTECTOR
0004	SC620057 79	USE SC620057 42
0004	SCEMB 2334112	RELAY
0005	SC650109 00	VALVE BODY
0006	SC670012 00	VALVE CORE
0007	SC650106 00	CAP
0008	SC620419 02	FAN MOTOR ATEX
0008	SC620419 03	FAN MOTOR ATEX
0008	SC620419 33	BLADE
0008	SC620419 63	BRACKET
0009	SC620455 00	AIR COOLED CONDENSER
0011	SC630003 03	FILTER
0012	SC630137 01	MECHANICAL FILTER
0013	SC620306 27	HOT GAS VALVE BODY
0013	SC620306 48	HOT GAS VALVE COIL
0014	SC784477 05	EVAPORATOR LARGE
0014	SC784477 06	EVAPORATOR MEDIUM
0015	SC784632 03	ACCUMULATOR



Pos	Code	Description
0001	SC670100 01	COMPRESSOR 230/50/1
0001	SC670100 08	COMPRESSOR 230/60/1
0002	SCCUB 102190	PROTECTOR
0002	SCCUB 102200	PROTECTOR
0003	SCCUB 405177	RELAY
0003	SCCUB 405178	RELAY
0004	SCCUB 102661	START CAPACITOR
0005	SC650109 00	VALVE BODY
0006	SC670012 00	VALVE CORE
0007	SC650106 00	CAP
0008	SC620389 00	WATER COOLED CONDENSER
0009	SC281900 01	TUBE 16X10
0010	SC281900 01	TUBE 16X10
0011	SC630137 01	MECHANICAL FILTER
0012	SC620306 27	HOT GAS VALVE BODY
0013	SC620306 48	HOT GAS VALVE COIL
0014	SC630003 05	DRIER
0015	SC784477 05	EVAPORATOR LARGE
0015	SC784477 06	EVAPORATOR MEDIUM
0016	SC784632 03	ACCUMULATOR
0018	SC620075 00	PRESSOSTAT
0019	SC660291 00	TEE TUBE (D13)
0020	SC400030 01	NUT
0021	SC400031 00	WASHER

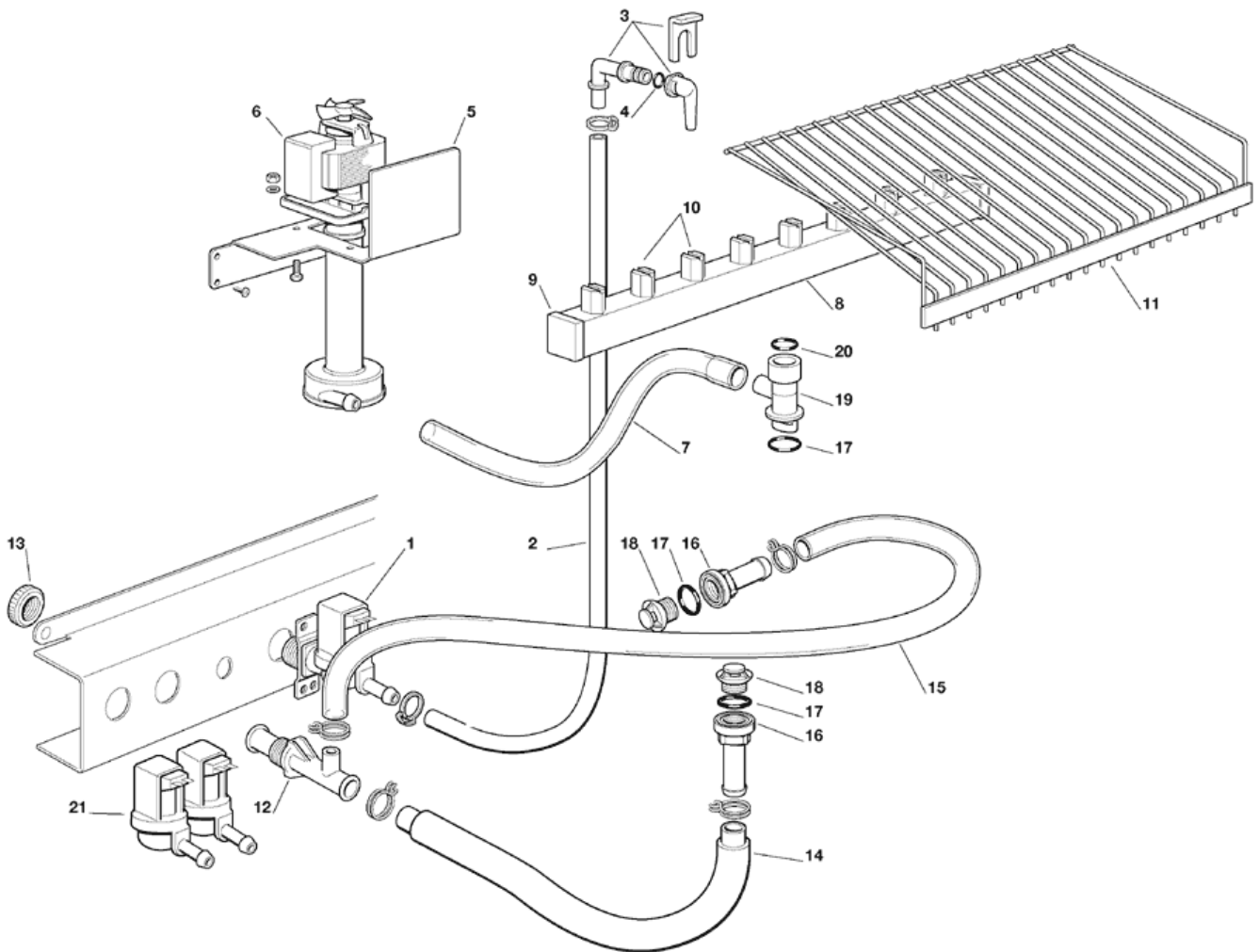


Pos	Code	Description
0001	SC670100 08	COMPRESSOR 230/60/1
0001	SC670106 06	COM.AE4450Y-FZ1C 220-240(WXAE-1020-BF-M)
0002	SC620058 71	PROTECTOR - 8670285
0002	SCCUB 102200	PROTECTOR
0003	SC620057 42	RELAY - 8662664
0003	SCCUB 405178	RELAY
0004	SC620167 01	START.CAP. - 8640161
0005	SC650109 00	VALVE BODY
0006	SC670012 00	VALVE CORE
0007	SC650106 00	CAP
0008	SC620389 00	WATER COOLED CONDENSER
0009	SC281900 01	TUBE 16X10
0010	SC281900 01	TUBE 16X10
0011	SC630137 01	MECHANICAL FILTER
0012	SC620306 27	HOT GAS VALVE BODY
0013	SC620306 48	HOT GAS VALVE COIL
0014	SC630003 05	DRIER
0015	SC784477 05	EVAPORATOR LARGE
0015	SC784615 01	EVAPORATOR ASSY
0015	SC784645 00	EVAPORATOR ASSY SMALL CUBE
0016	SC784632 03	ACCUMULATOR
0017	SC650105 74	WATER INLET VALVE
0018	SC620075 00	PRESSOSTAT
0019	SC660291 00	TEE TUBE (D13)
0020	SC400030 01	NUT
0021	SC400031 00	WASHER
0022	SC660386 00	SPRING
0023	SC741114 00R	BULB HOLDER

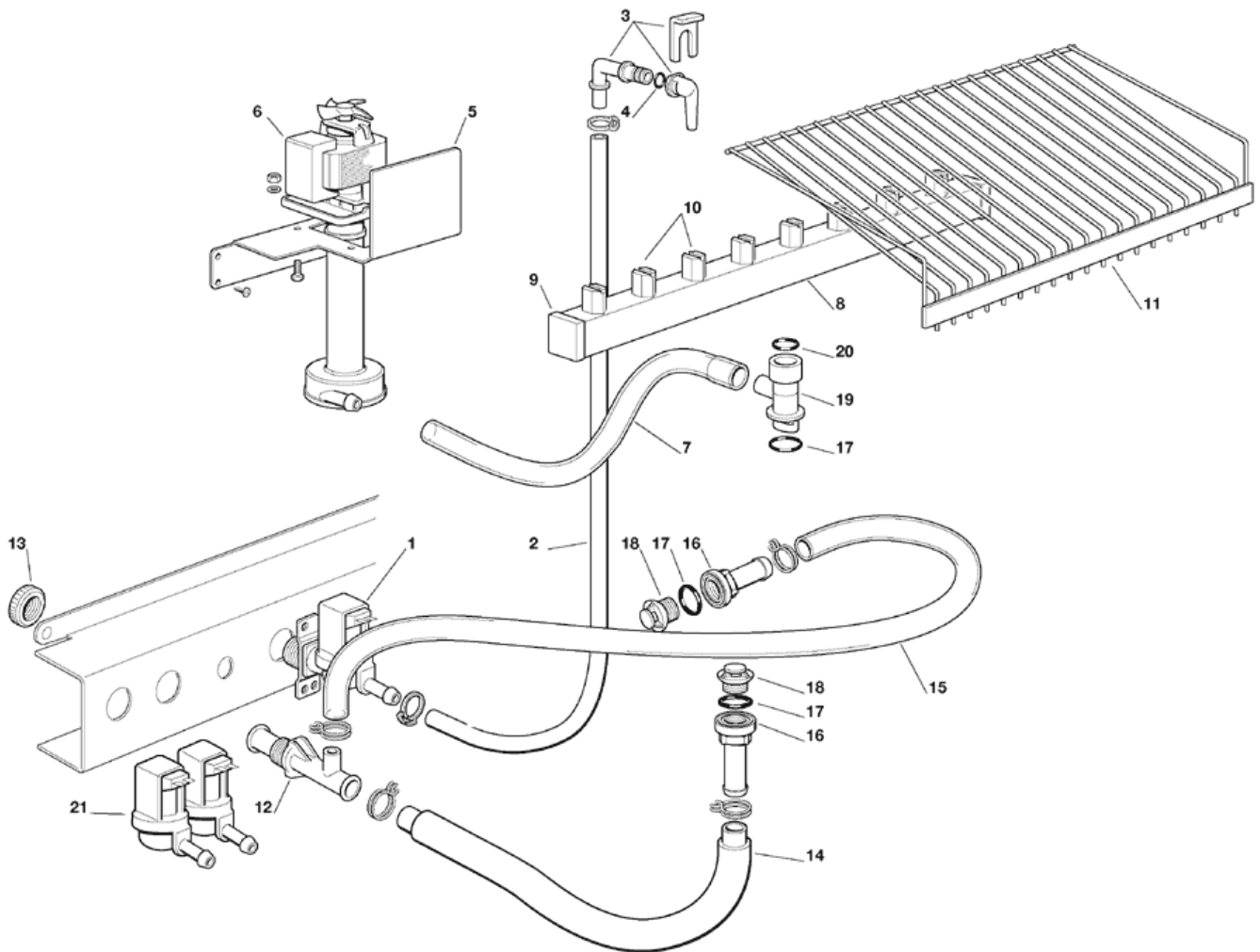


EDIPROM
1501.09

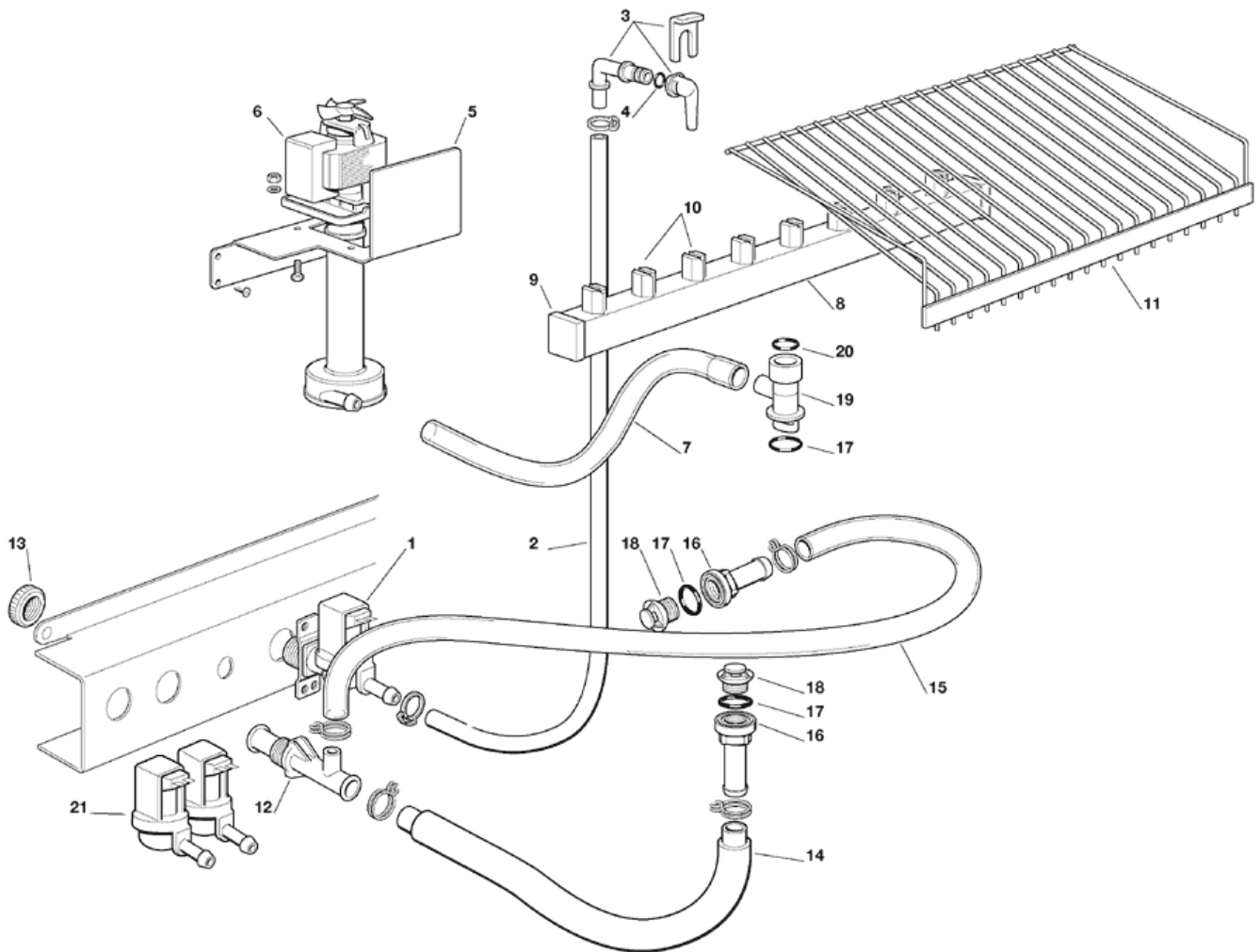
Pos	Code	Description
0001	SC670100 08	COMPRESSOR 230/60/1
0001	SC670106 06	COM.AE4450Y-FZ1C 220-240(WXAE-1020-BF-M)
0002	SC620478 19	PROTECTOR - 8570624
0002	SCCUB 102200	PROTECTOR
0003	SC620057 79	USE SC620057 42
0003	SCCUB 405178	RELAY
0004	SC620167 00	START.CAP. - 8640162
0005	SC650109 00	VALVE BODY
0006	SC670012 00	VALVE CORE
0007	SC650106 00	CAP
0008	SC620389 00	WATER COOLED CONDENSER
0009	SC281900 01	TUBE 16X10
0010	SC281900 01	TUBE 16X10
0011	SC630137 01	MECHANICAL FILTER
0012	SC620306 27	HOT GAS VALVE BODY
0013	SC620306 48	HOT GAS VALVE COIL
0014	SC630003 03	FILTER
0015	SC784477 05	EVAPORATOR LARGE
0015	SC784615 01	EVAPORATOR ASSY
0015	SC784645 00	EVAPORATOR ASSY SMALL CUBE
0016	SC784632 03	ACCUMULATOR
0017	SC650105 74	WATER INLET VALVE
0018	SC620075 00	PRESSOSTAT
0019	SC660291 00	TEE TUBE (D13)
0020	SC400030 01	NUT
0021	SC400031 00	WASHER
0022	SC660386 00	SPRING
0023	SC741114 00R	BULB HOLDER



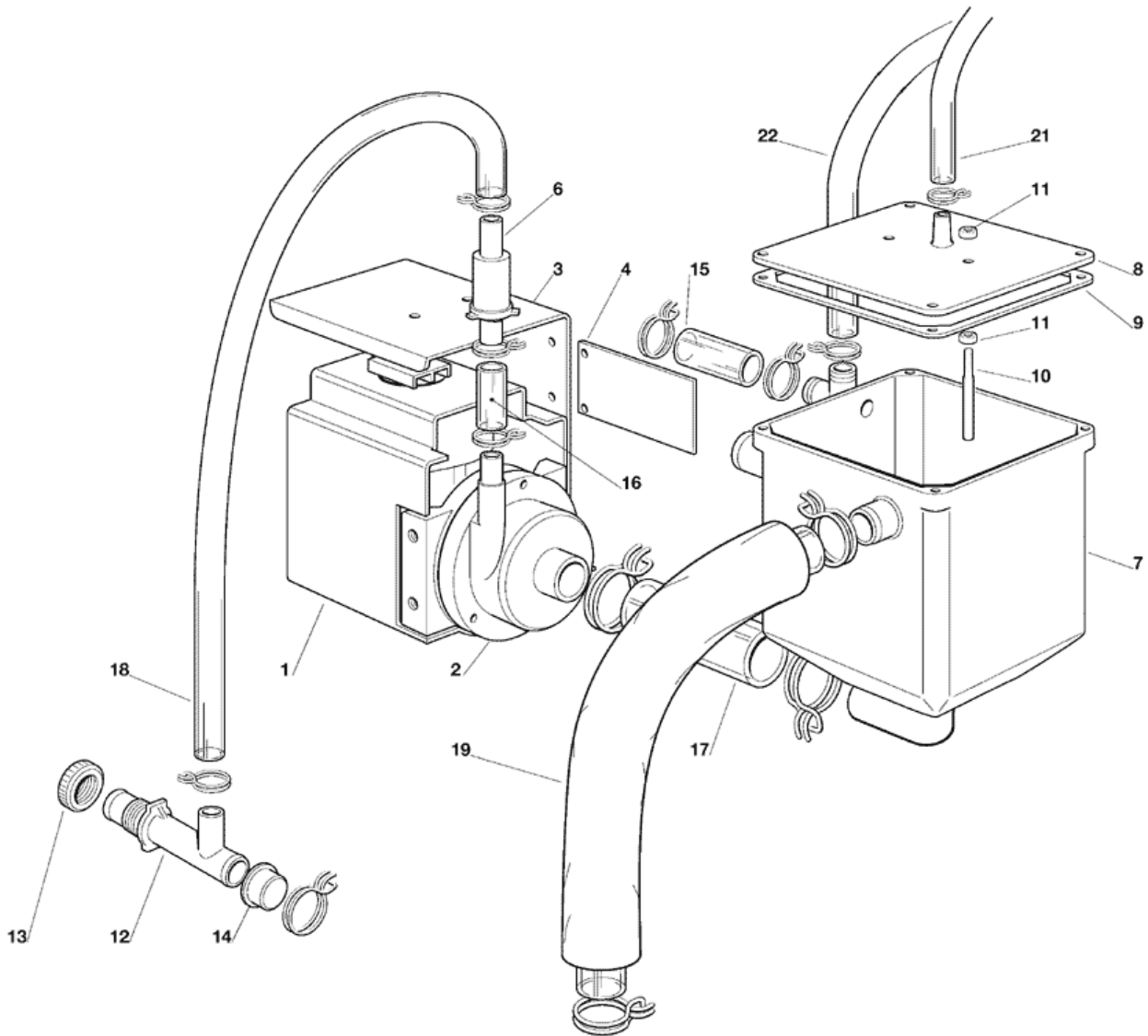
Pos	Code	Description
0001	SC650105 52	WATER INLET VALVE
0002	SC281900 01	TUBE 16X10
0003	SC793172 00R	WATER INLET ASSY
0004	SC640041 31	O RING OR 2031 (WRAS-FDA)
0005	SC721937 00	PUMP BRACKET
0006	SC620423 01R	WATER PUMP ATEX
0006	SC620433 01	WATER PUMP 230V/60HZ/1PH
0007	SC610150 04	USE SC610150 08
0008	SC650665 34	SPRAY TUBE
0008	SC661082 05	SPRAY BAR & CHUTE
0009	SC660557 00	SPRAY CUP
0010	SC660558 00R	SPRAY NOZZLE (PACK OF 10 PCS)
0011	SC650741 00	CUBE DEFLECTOR - LARGE
0011	SC661082 05	SPRAY BAR & CHUTE
0012	SC660224 00	TEE TUBE
0013	SC660535 00	PLASTIC NUT
0014	SC610148 10	TUBE
0015	SC610204 00	TUBE
0016	SC660219 02	DRAIN FITTING
0017	SC640134 00	O RING
0018	SC660211 01	DRAIN FILTER
0019	SC660777 03	FITTING
0020	SC640041 32	O RING
0021	SC650105 70	WATER INLET VALVE



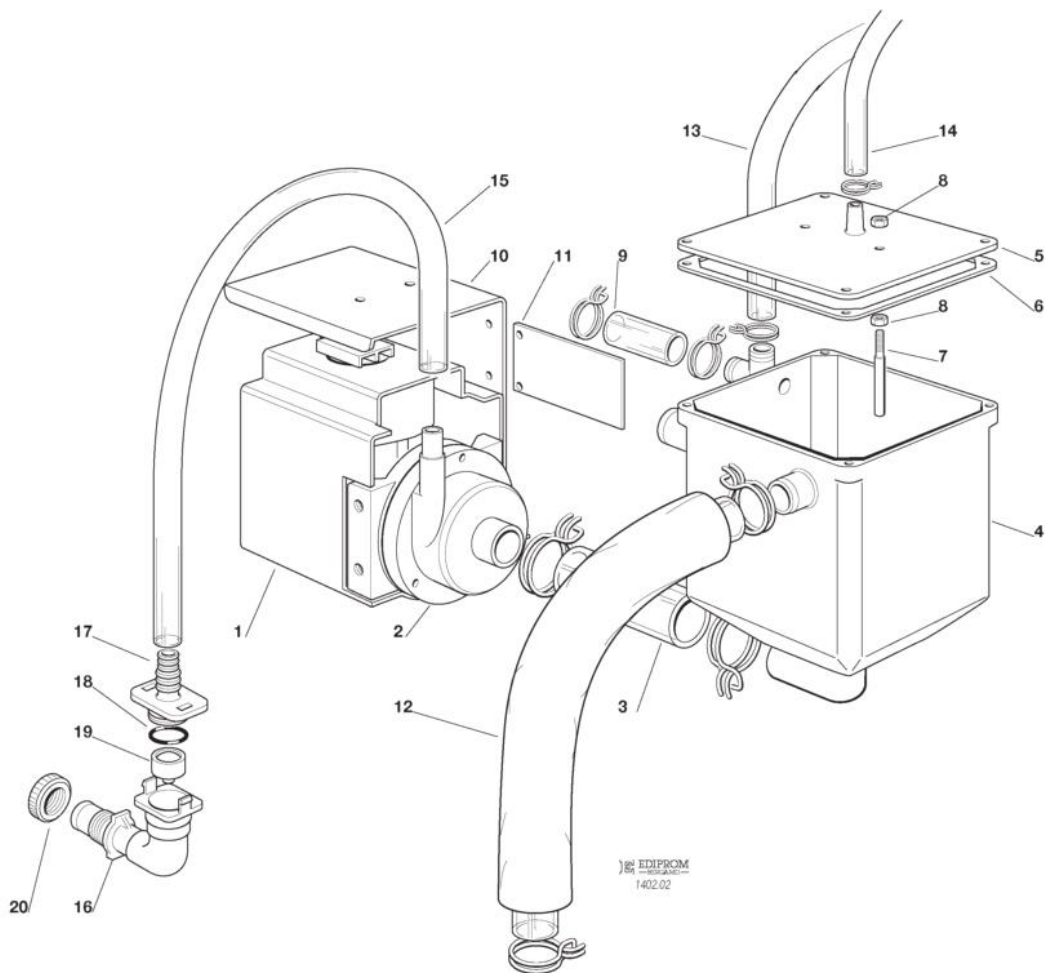
Pos	Code	Description
0001	SC650105 52	WATER INLET VALVE
0002	SC281900 01	TUBE 16X10
0003	SC793172 00R	WATER INLET ASSY
0004	SC640041 31	O RING OR 2031 (WRAS-FDA)
0005	SC721937 00	PUMP BRACKET
0006	SC620423 01R	WATER PUMP ATEX
0006	SC620433 01	WATER PUMP 230V/60HZ/1PH
0007	SC610150 04	USE SC610150 08
0008	SC650665 34	SPRAY TUBE
0008	SC661082 05	SPRAY BAR & CHUTE
0009	SC660557 00	SPRAY CUP
0010	SC660558 00R	SPRAY NOZZLE (PACK OF 10 PCS)
0011	SC650741 00	CUBE DEFLECTOR - LARGE
0011	SC661082 05	SPRAY BAR & CHUTE
0012	SC660224 00	TEE TUBE
0013	SC660535 00	PLASTIC NUT
0014	SC610148 10	TUBE
0015	SC610204 00	TUBE
0016	SC660219 02	DRAIN FITTING
0017	SC640134 00	O RING
0018	SC660211 01	DRAIN FILTER
0019	SC660777 03	FITTING
0020	SC640041 32	O RING
0021	SC650105 74	WATER INLET VALVE



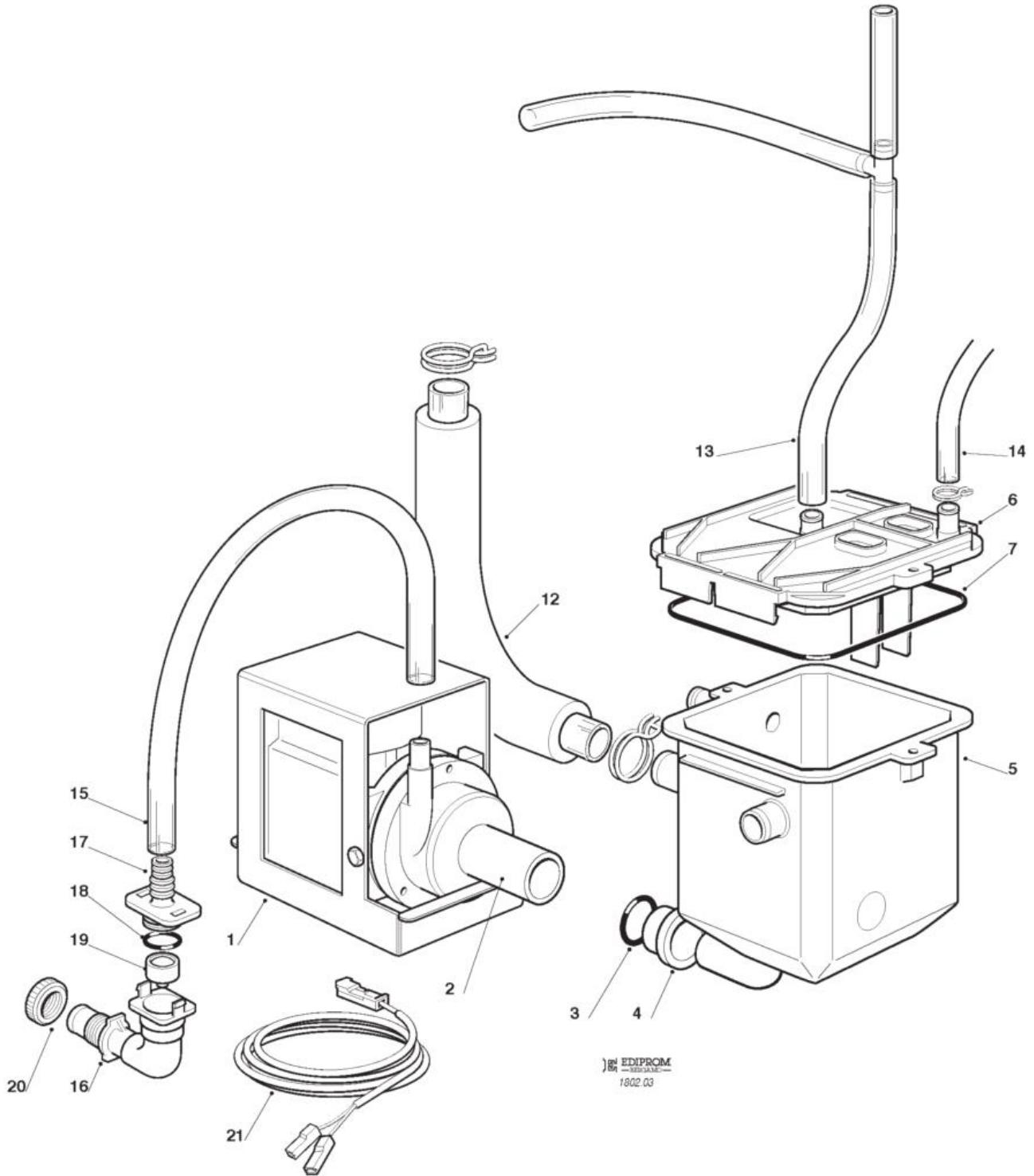
Pos	Code	Description
0001	SC650105 52	WATER INLET VALVE
0002	SC281900 01	TUBE 16X10
0003	SC793172 00R	WATER INLET ASSY
0004	SC640041 31	O RING OR 2031 (WRAS-FDA)
0005	SC721937 00	PUMP BRACKET
0006	SC620423 01R	WATER PUMP ATEX
0006	SC620433 01	WATER PUMP 230V/60HZ/1PH
0007	SC610150 04	USE SC610150 08
0008	SC650665 34	SPRAY TUBE
0008	SC661082 05	SPRAY BAR & CHUTE
0009	SC660557 00	SPRAY CUP
0010	SC660558 00R	SPRAY NOZZLE (PACK OF 10 PCS)
0011	SC650741 00	CUBE DEFLECTOR - LARGE
0011	SC661082 05	SPRAY BAR & CHUTE
0012	SC660224 00	TEE TUBE
0013	SC660535 00	PLASTIC NUT
0014	SC610148 10	TUBE
0015	SC610204 00	TUBE
0016	SC660219 02	DRAIN FITTING
0017	SC640134 00	O RING
0018	SC660211 01	DRAIN FILTER
0019	SC660777 03	FITTING
0020	SC640041 32	O RING
0021	SC650105 66	WATER INLET VALVE ASSY



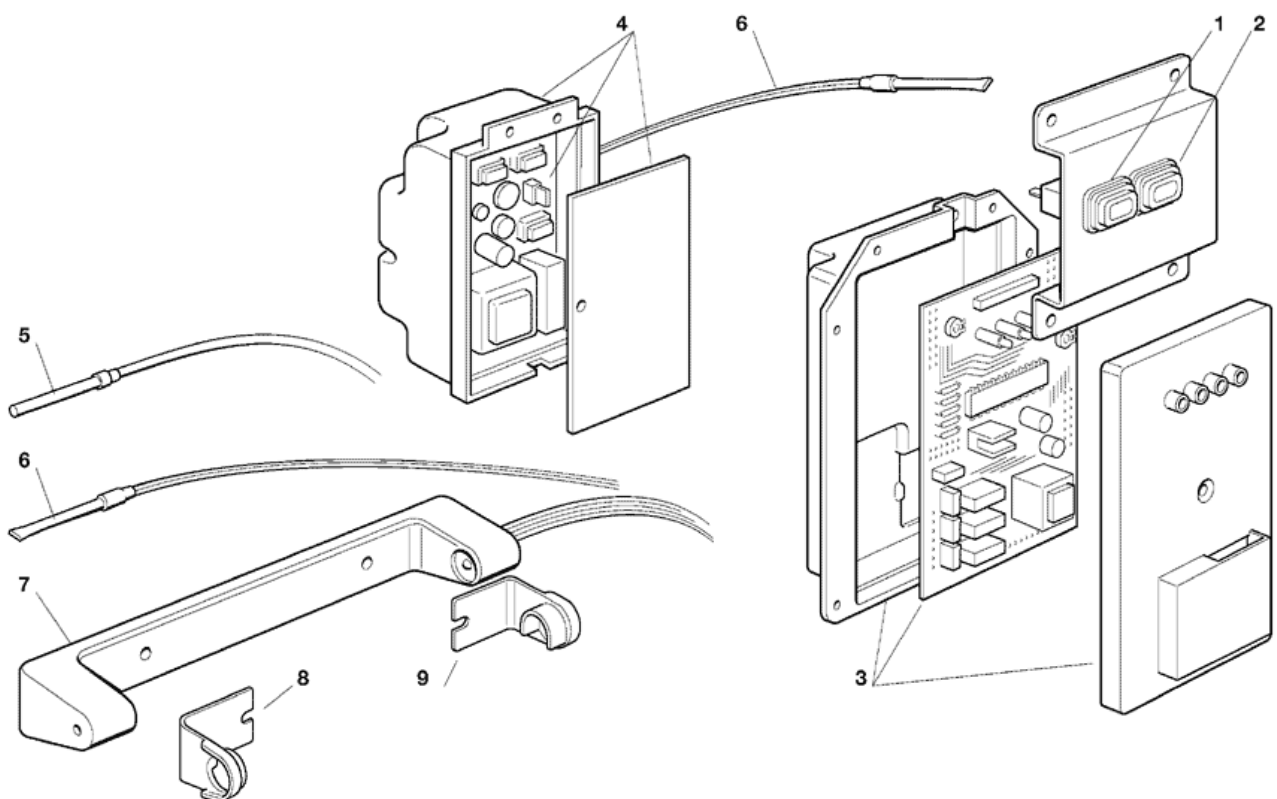
Pos	Code	Description
0001	SC620471 00	PUMP
0001	SC620471 01	WATER PUMP
0003	SC702342 00	BRACKET PUMP
0004	SC723163 00	BRACKET
0006	SC793230 00R	WATER DRAIN N CHECK VALVE
0007	SC660710 00	USE SC060831 00
0008	SC060602 00	COVER ASSY, PWD
0009	SC640140 00	GASKET - NLA
0010	SC724215 11	METAL PIN
0011	SC430031 00	NUT
0012	SC660224 00	TEE TUBE
0013	SC660535 00	PLASTIC NUT
0014	SC650173 02	NO LONGER AVAILABLE
0016	SC281900 01	TUBE 16X10
0017	SC610148 10	TUBE
0018	SC610171 02	PLASTIC HOSE
0019	SC610148 10	TUBE
0021	SC281830 06	TUBE PVC
0022	SC610204 00	TUBE



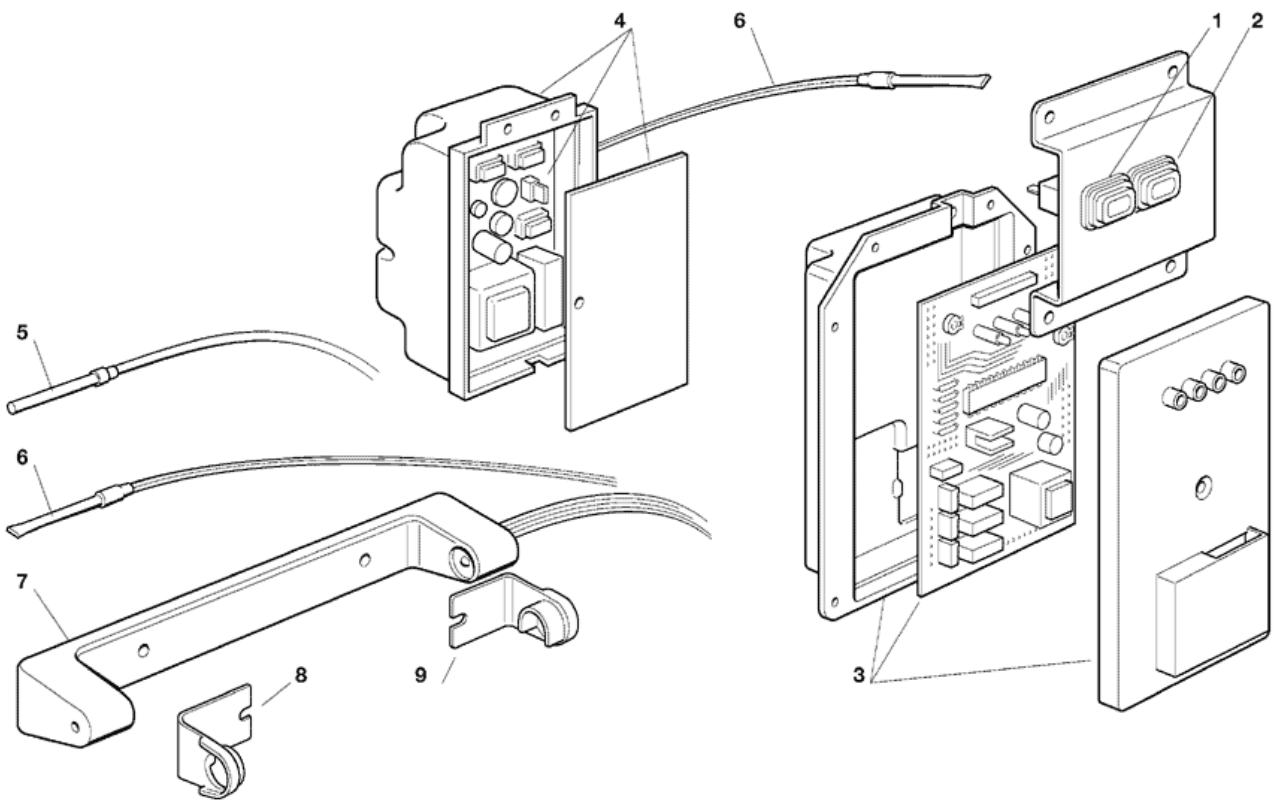
Pos	Code	Description
0001	SC620471 00	PUMP
0001	SC620471 01	WATER PUMP
0003	SC610148 10	TUBE
0004	SC660710 00	USE SC060831 00
0005	SC060602 00	COVER ASSY, PWD
0006	SC640140 00	GASKET - NLA
0007	SC724215 11	METAL PIN
0008	SC430031 00	NUT
0010	SC702317 00	BRACKET PUMP
0011	SC723163 00	BRACKET
0012	SC610148 10	TUBE
0013	SC610204 00	TUBE
0014	SC281830 06	TUBE PVC
0015	SC610171 02	PLASTIC HOSE
0016	SC661104 00	WATER DRAIN FITTING-ELBOW
0017	SC661104 01	WATER INLET FITTING
0018	SC640041 43	O RING OR 2087 (WRAS-FDA)
0019	SC651444 00	NON RETURN VALVE
0020	SC660535 00	PLASTIC NUT



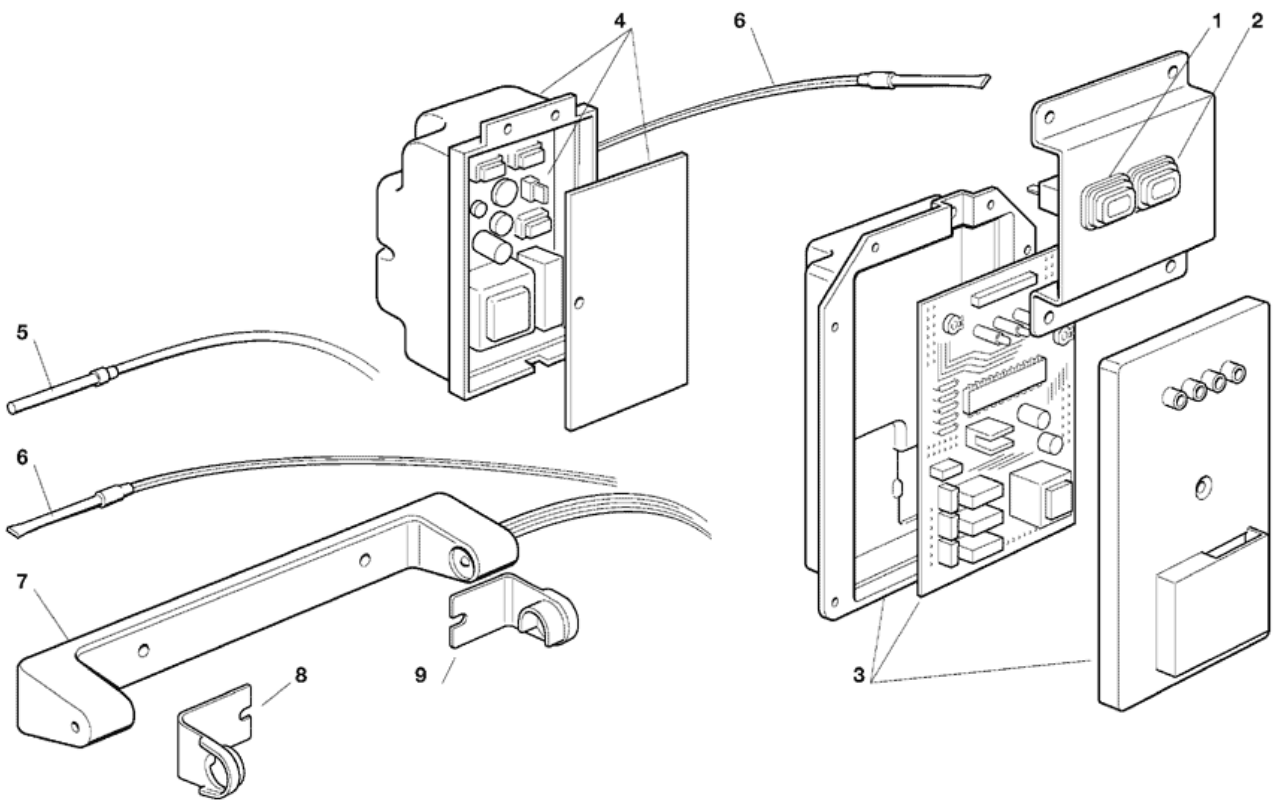
Pos	Code	Description
0001	SC702734 00	BRACKET
0002	SC620471 04R	PUMP 230/50/1 ATEX
0002	SC651682 00	PWD PUMP CONNECTION ISOLATION
0003	SC640041 44	O RING OR 3081
0004	SC661104 02	BUSHING
0005	SC651681 00	PWD TANK INSULATION RIGHT
0005	SC651681 01	PWD TANK INSULATION LEFT
0005	SC661103 00	TANK
0006	SC661102 05	SUMP COVER ASSY
0007	SC661102 05	SUMP COVER ASSY
0012	SC610148 10	TUBE
0013	SC610182 08	TUBO SCARICO ASSIEMATO
0014	SC281830 06	TUBE PVC
0015	SC281900 04	TUBE
0016	SC661104 00	WATER DRAIN FITTING-ELBOW
0017	SC661104 01	WATER INLET FITTING
0018	SC640041 43	O RING OR 2087 (WRAS-FDA)
0019	SC651444 00	NON RETURN VALVE
0020	SC660535 00	PLASTIC NUT
0021	SC620519 05	WATER LEVEL HARNESS



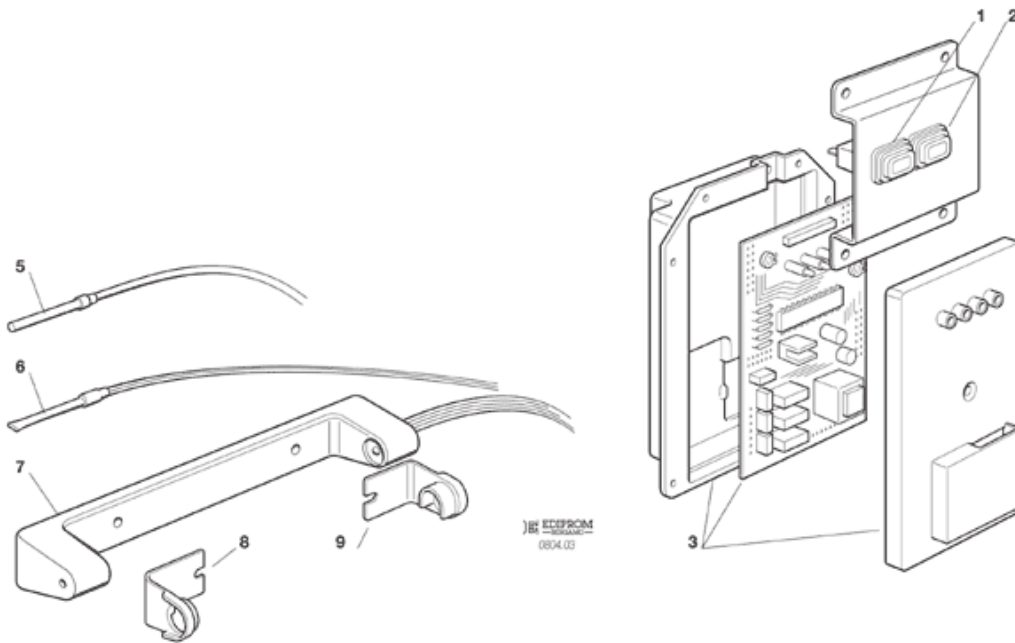
Pos	Code	Description
0001	SC060666 00	SWITCHES ASSY
0002	SC060666 00	SWITCHES ASSY
0003	SC060711 00	PC BOARD KIT - 230V
0004	SC060711 30	PC BOARD KIT
0004	SC620489 01	THREE WIRES CABLE
0005	SC620404 10	EVAPORATOR SENSOR - NLA
0006	SC620404 11	CONDENSER SENSOR
0007	SC650674 05	OPTICAL ICE LEVEL CTRL
0008	SC660720 00	PLASTIC PROTECTION LEFT
0009	SC660720 01	PLASTIC PROTECTION RIGHT



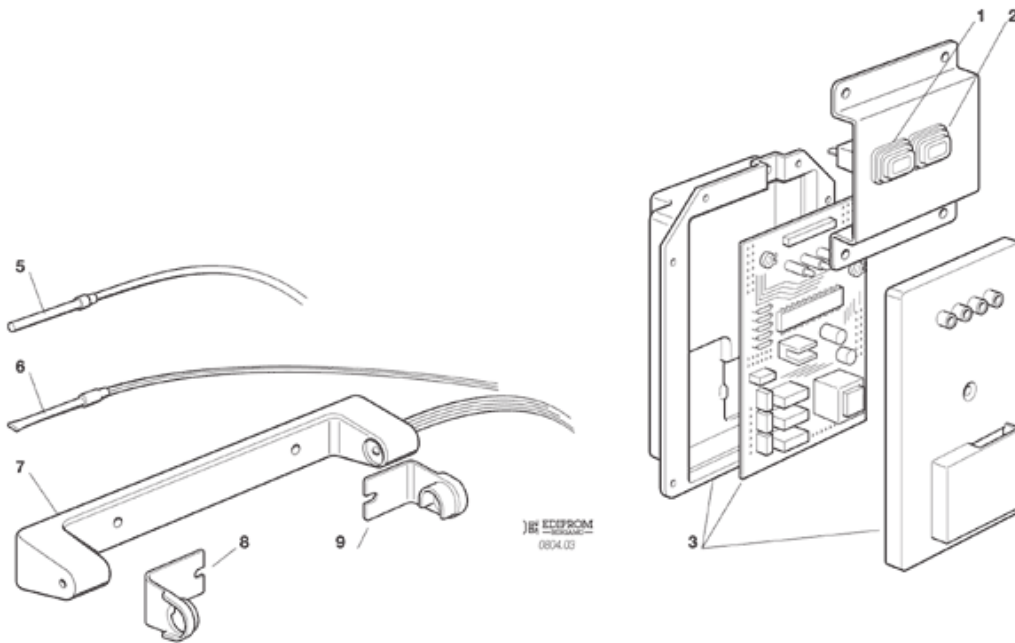
Pos	Code	Description
0001	SC620487 01	SWITCH
0001	SC620487 04	PLASTIC COVER
0001	SC620504 00	RED WARNING LIGHT
0002	SC620487 00	GREEN SWITCH
0002	SC620487 04	PLASTIC COVER
0003	SC060711 00	PC BOARD KIT - 230V
0004	SC060711 30	PC BOARD KIT
0004	SC620489 01	THREE WIRES CABLE
0005	SC620404 10	EVAPORATOR SENSOR - NLA
0006	SC620404 11	CONDENSER SENSOR
0007	SC650674 05	OPTICAL ICE LEVEL CTRL
0008	SC660720 00	PLASTIC PROTECTION LEFT
0009	SC660720 01	PLASTIC PROTECTION RIGHT



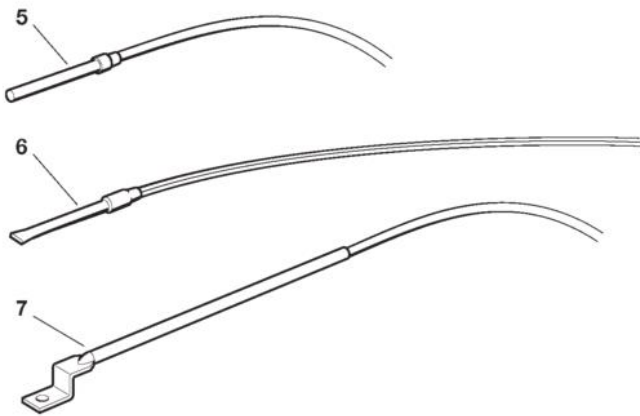
Pos	Code	Description
0001	SC620487 01	SWITCH
0002	SC620487 00	GREEN SWITCH
0003	SC060711 00	PC BOARD KIT - 230V
0004	SC060711 30	PC BOARD KIT
0004	SC620489 01	THREE WIRES CABLE
0005	SC620404 10	EVAPORATOR SENSOR - NLA
0006	SC620404 11	CONDENSER SENSOR
0007	SC650674 05	OPTICAL ICE LEVEL CTRL
0008	SC660720 00	PLASTIC PROTECTION LEFT
0009	SC660720 01	PLASTIC PROTECTION RIGHT



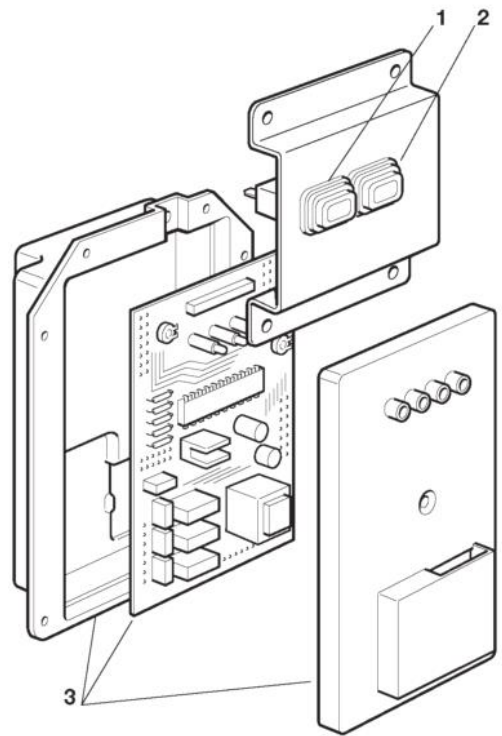
Pos	Code	Description
0001	SC620487 01	SWITCH
0002	SC620487 00	GREEN SWITCH
0003	SC060711 00	PC BOARD KIT - 230V
0003	SC620489 01	THREE WIRES CABLE
0005	SC620404 10	EVAPORATOR SENSOR - NLA
0006	SC620404 11	CONDENSER SENSOR
0007	SC650674 05	OPTICAL ICE LEVEL CTRL
0008	SC660720 00	PLASTIC PROTECTION LEFT
0009	SC660720 01	PLASTIC PROTECTION RIGHT



Pos	Code	Description
0001	SC620487 01	SWITCH
0002	SC620487 00	GREEN SWITCH
0003	SC620462 12	PC BOARD - NTC 115V
0003	SC620462 24	PC BOARD 230V INNOTECH ATEX
0003	SC620489 01	THREE WIRES CABLE
0003	SC630015 15	FUSE T6,3A - 250V
0005	SC620519 01	EVAPORATOR SENSOR NTC
0006	SC620519 04	CONDENSER SENSOR NTC
0007	SC650674 05	OPTICAL ICE LEVEL CTRL
0008	SC660720 00	PLASTIC PROTECTION LEFT
0009	SC660720 01	PLASTIC PROTECTION RIGHT



EDIPROM
1703.01



Pos	Code	Description
0001	SC620487 01	SWITCH
0002	SC620487 00	GREEN SWITCH
0003	SC620462 24	PC BOARD 230V INNOTECH ATEX
0003	SC620489 01	THREE WIRES CABLE
0003	SC630015 15	FUSE T6,3A - 250V
0005	SC620519 01	EVAPORATOR SENSOR NTC
0006	SC620519 04	CONDENSER SENSOR NTC
0007	SC620565 01	BIN LEVEL CTRL