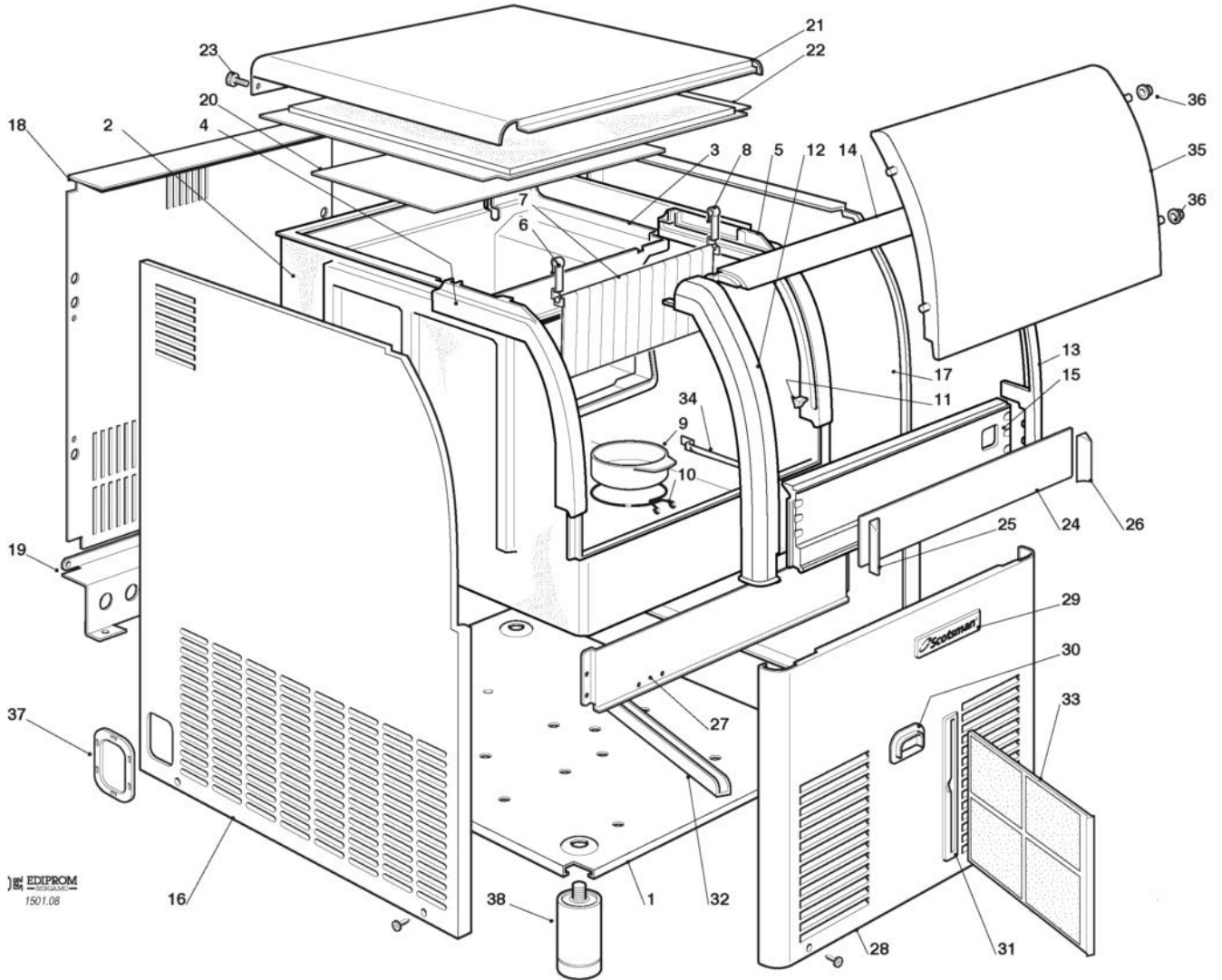
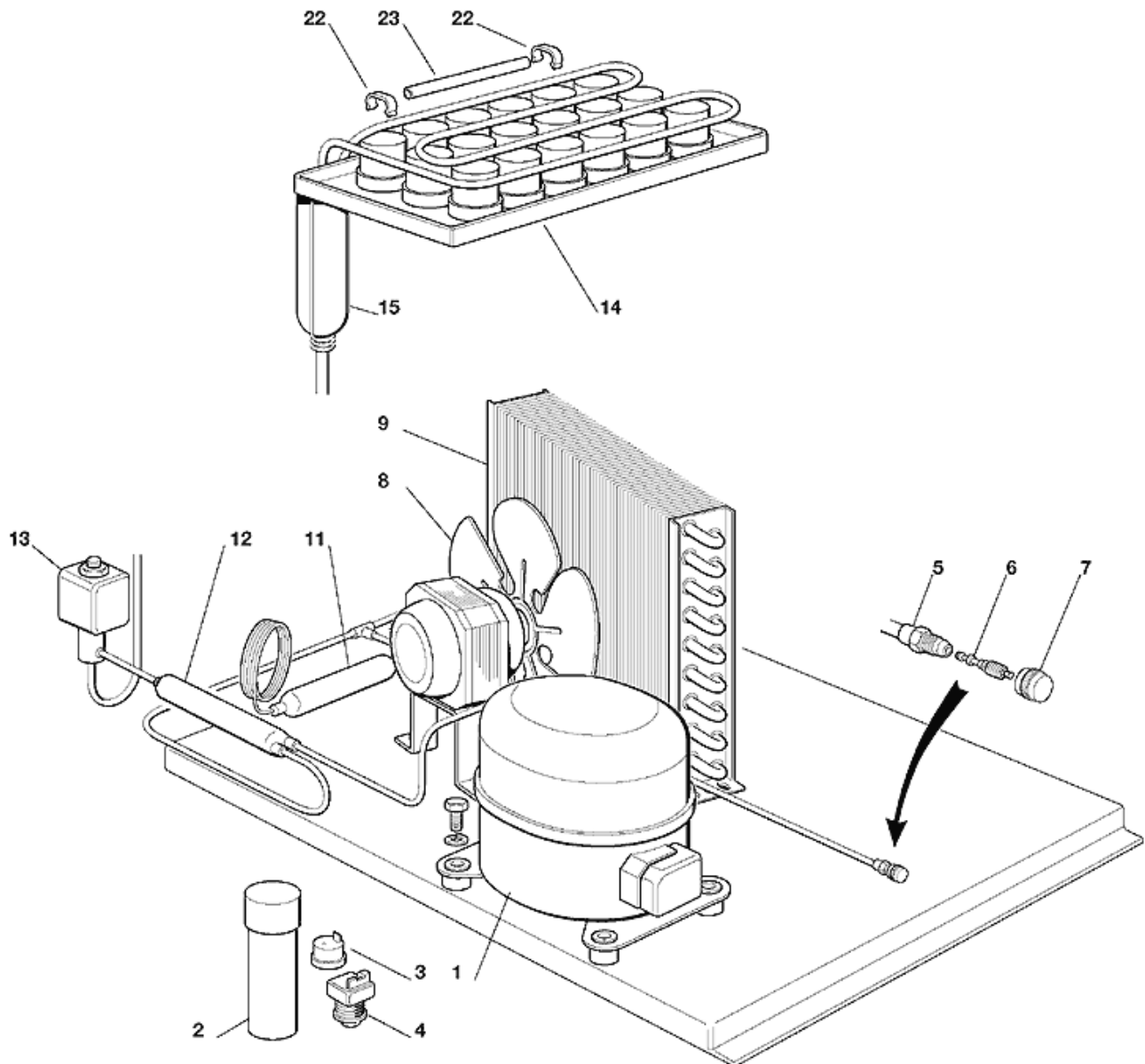


Pos	Code	Description
0001	SC791087 00	UNIT BASE ASSY
0002	SC782104 00R	STORAGE BIN ASSY
0003	SC660823 00	EVAPORATOR HOUSING
0004	SC660784 01	LEFT SIDE TRACK
0005	SC660784 00	RIGHT SIDE TRACK
0006	SC660388 01	CURTAIN BRACKET (RIGHT)
0007	SC784457 06R	CURTAIN ASSY
0007	SC784457 11R	CURTAIN ASSY
0008	SC660388 00	CURTAIN BRACKET (LEFT)
0009	SC660741 00	PLASTIC PLUG
0010	SC460047 00	SPRING
0011	SC660816 00	SHOCK ABSORBER
0012	SC660832 00	LEFT SIDE DOOR FRAME
0013	SC660832 01	RIGHT SIDE DOOR FRAME
0014	SC660785 00	UPPER DOOR FRAME
0015	SC660833 00	BOTTOM DOOR FRAME
0016	SC721935 01	LEFT SIDE PANEL
0017	SC721936 01	RIGHT SIDE PANEL
0018	SC702441 00	REAR PANEL
0019	SC702396 00	BRACKET
0020	SC660827 00	EVAPORATOR COVER
0021	SC721933 00	TOP PANEL
0022	SC650904 00	ISOLATION PANEL
0022	SC660828 00	BIN COVER
0023	SC650806 00	PIVOT
0024	SC721938 00	S.S.FRONT LINER
0025	SC660837 01	LEFT PLASTIC INSERT
0026	SC660837 00	RIGHT PLASTIC INSERT
0027	SC702381 00	METAL STRIP
0028	SC722793 00	FRONT PANEL EC-86 AIR
0029	SC650850 00	SCOTSMAN EMBLEM
0030	SC660829 00	FRONT SWITCH PLASTIC PROT
0031	SC660804 01	AIR FILTER SEAT
0032	SC660817 00	SLIDE AIR FILTER
0033	SC660805 01	AIR FILTER
0034	SC732017 00	BULB HOLDER
0035	SC660786 00	BIN DOOR
0036	SC660286 00	BUSHING
0037	SC660831 00	ANTIBACTERIAS GRILL BAG - NLA
0038	SC650909 00	NO LONGER AVAILABLE
0039	SC650670 00	USE SC650670 05

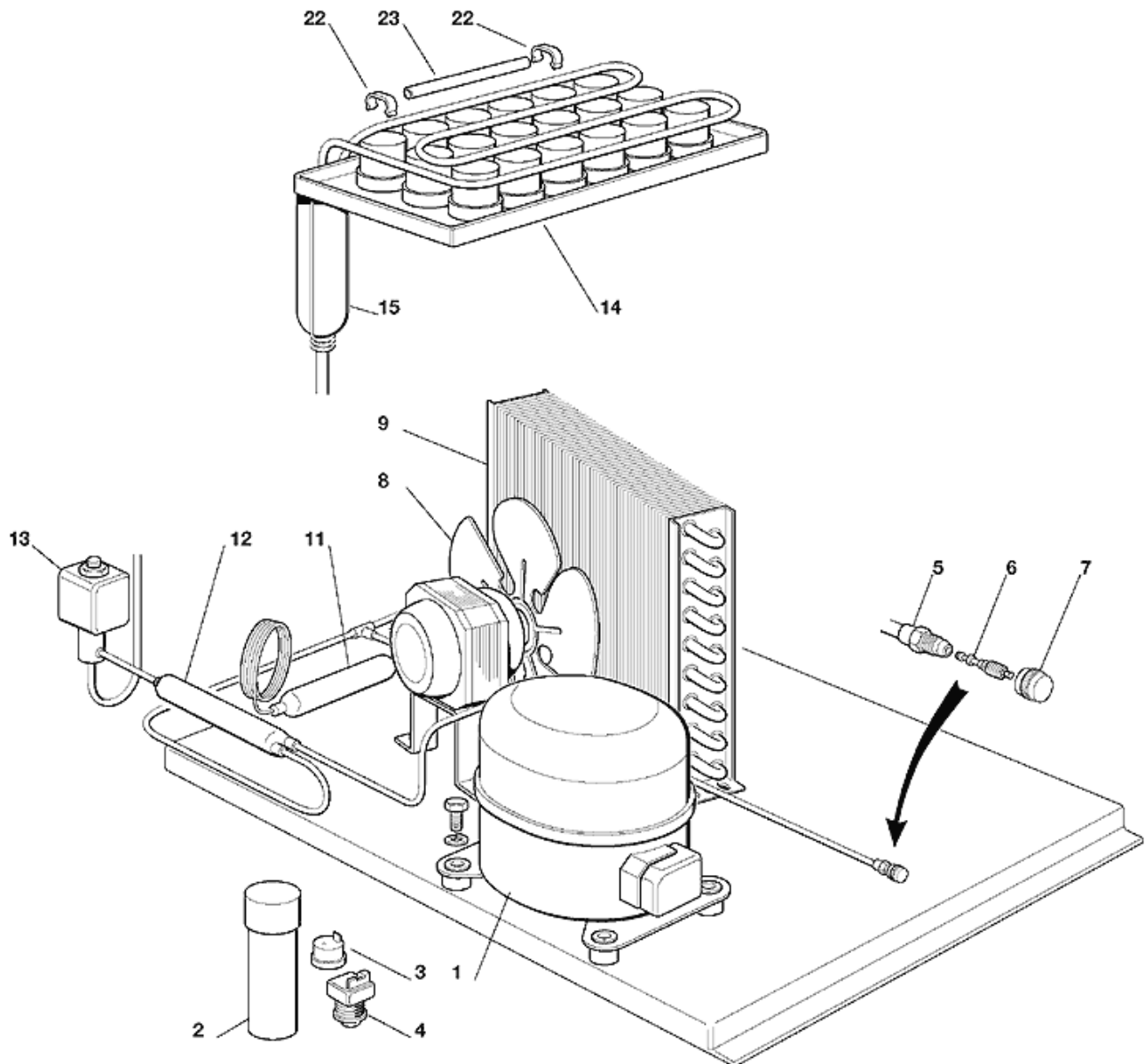


EDIPROM
1501.08

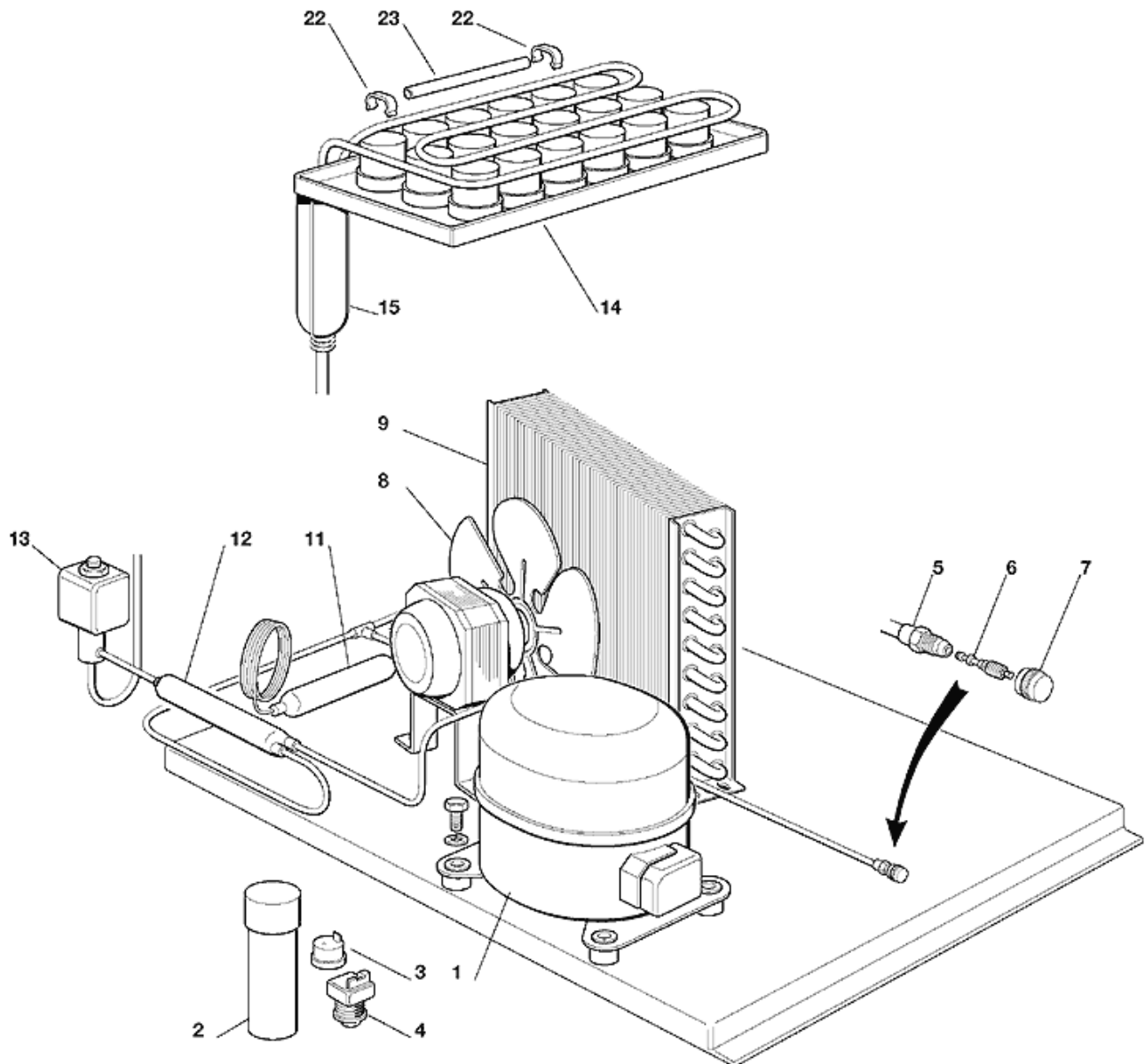
Pos	Code	Description
0001	SC702776 00	UNIT BASE
0002	SC782104 02R	STORAGE BIN ASSY AC 86
0003	SC660823 00	EVAPORATOR HOUSING
0004	SC660784 01	LEFT SIDE TRACK
0005	SC660784 00	RIGHT SIDE TRACK
0006	SC660388 01	CURTAIN BRACKET (RIGHT)
0007	SC784457 06R	CURTAIN ASSY
0007	SC784457 11R	CURTAIN ASSY
0008	SC660388 00	CURTAIN BRACKET (LEFT)
0009	SC660741 00	PLASTIC PLUG
0010	SC460047 00	SPRING
0011	SC660816 00	SHOCK ABSORBER
0012	SC660832 00	LEFT SIDE DOOR FRAME
0013	SC660832 01	RIGHT SIDE DOOR FRAME
0014	SC660785 00	UPPER DOOR FRAME
0015	SC660833 00	BOTTOM DOOR FRAME
0016	SC722781 00	LEFT SIDE PANEL
0017	SC722782 00	RIGHT SIDE PANEL
0018	SC702380 00	REAR PANEL
0019	SC702779 00	SUPP.ATTAC.AC-86/106 ARIA
0020	SC660827 00	EVAPORATOR COVER
0021	SC721933 00	TOP PANEL
0022	SC650904 00	ISOLATION PANEL
0022	SC660828 00	BIN COVER
0023	SC470030 52	SCREW
0024	SC721938 00	S.S.FRONT LINER
0025	SC660837 01	LEFT PLASTIC INSERT
0026	SC660837 00	RIGHT PLASTIC INSERT
0027	SC702381 00	METAL STRIP
0028	SC722783 00	PANNELLO FRONTALE AC-86 A ECO
0028	SC722783 01	PANN.FRONT. AC-86W ECO
0029	SC650850 00	SCOTSMAN EMBLEM
0030	SC661121 00	PLASTIC PROTECTION
0031	SC660804 01	AIR FILTER SEAT
0032	SC660817 00	SLIDE AIR FILTER
0033	SC660805 01	AIR FILTER
0034	SC732017 00	BULB HOLDER
0035	SC660786 00	BIN DOOR
0036	SC660286 00	BUSHING
0037	SC661070 00	PLASTIC PROTECTION
0038	SC651469 00	LEG



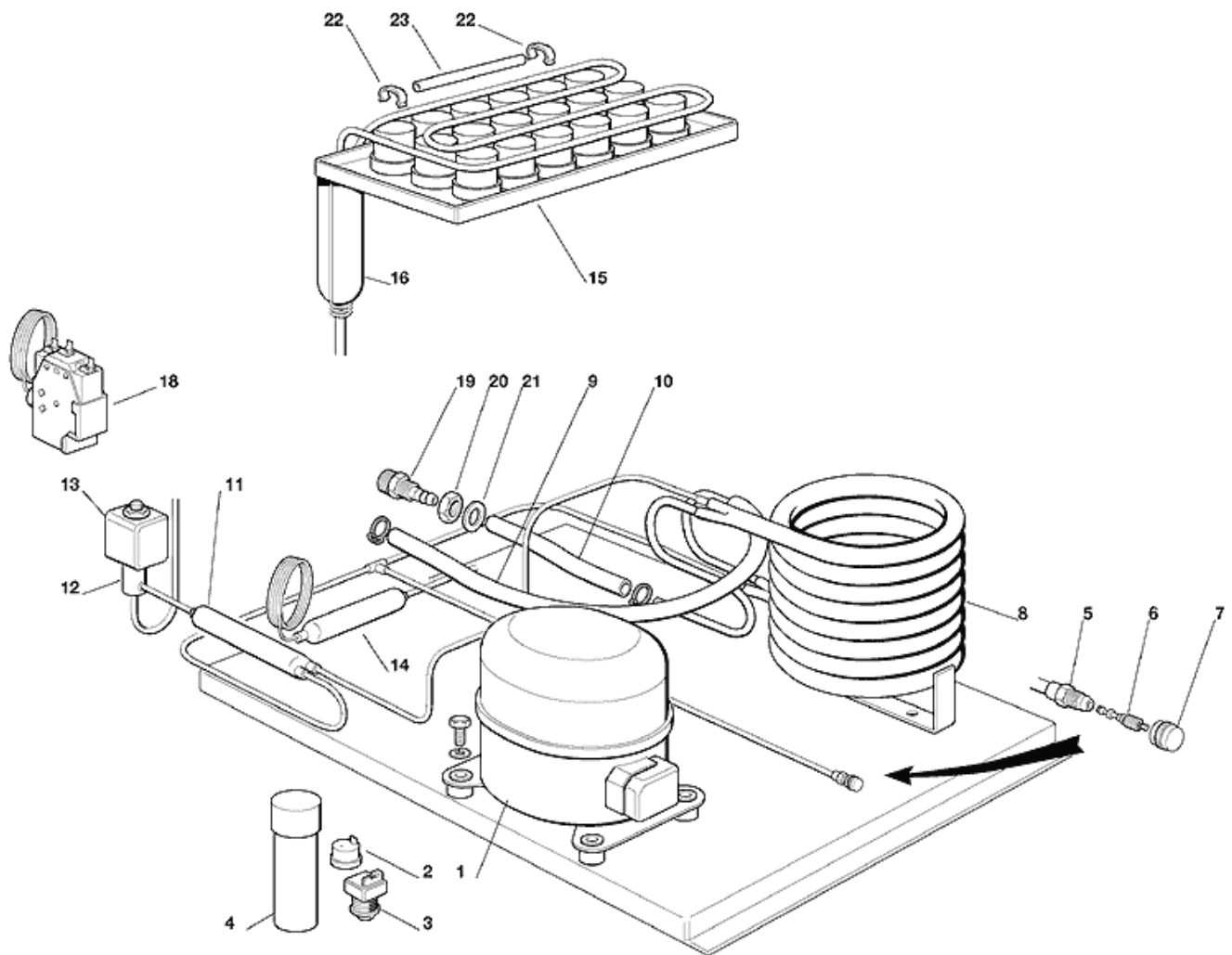
Pos	Code	Description
0001	SC670100 01	COMPRESSOR 230/50/1
0001	SC670100 08	COMPRESSOR 230/60/1
0002	SCCUB 102661	START CAPACITOR
0003	SCCUB 102190	PROTECTOR
0003	SCCUB 102200	PROTECTOR
0004	SCCUB 405177	RELAY
0004	SCCUB 405178	RELAY
0005	SC650109 00	VALVE BODY
0006	SC670012 00	VALVE CORE
0007	SC650106 00	CAP
0008	SC620419 02	FAN MOTOR ATEX
0008	SC620419 03	FAN MOTOR ATEX
0008	SC620419 33	BLADE
0008	SC620419 63	BRACKET
0009	SC620455 00	AIR COOLED CONDENSER
0011	SC630003 05	DRIER
0012	SC630137 01	MECHANICAL FILTER
0013	SC620306 27	HOT GAS VALVE BODY
0013	SC620306 48	HOT GAS VALVE COIL
0014	SC784615 01	EVAPORATOR ASSY
0014	SC784622 00	EVAPORATOR ASSY -LARGE CU
0014	SC784645 00	EVAPORATOR ASSY SMALL CUBE
0015	SC784632 02	SUCTION LINE ASSY
0022	SC650475 02	METAL CLIP
0022	SC660386 00	SPRING
0023	SC660465 01	PLUG
0023	SC741114 00R	BULB HOLDER



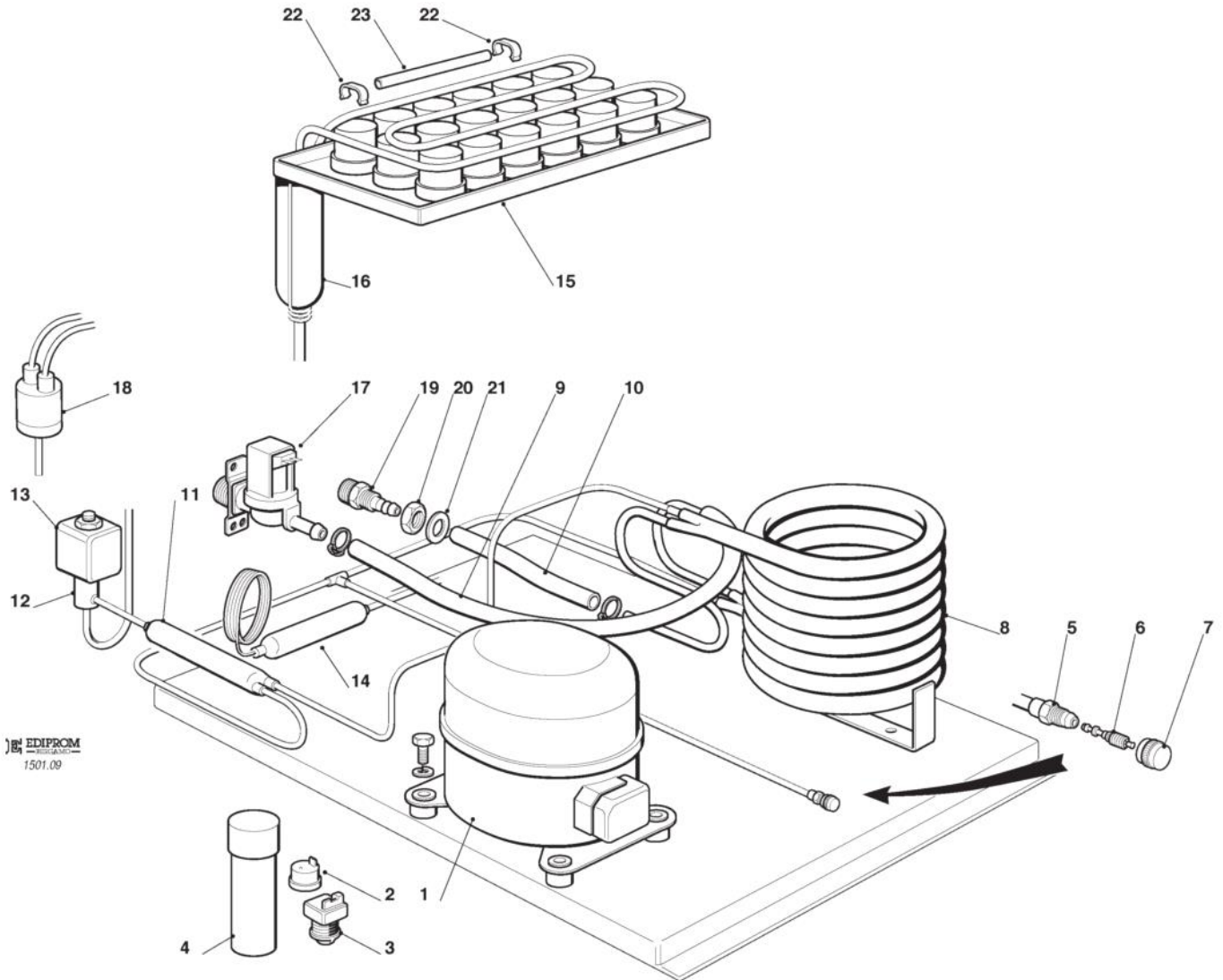
Pos	Code	Description
0001	SC670100 08	COMPRESSOR 230/60/1
0001	SC670106 06	COM.AE4450Y-FZ1C 220-240(WXAE-1020-BF-M)
0002	SC620167 01	START.CAP. - 8640161
0003	SC620058 71	PROTECTOR - 8670285
0003	SCCUB 102200	PROTECTOR
0004	SC620057 42	RELAY - 8662664
0004	SCCUB 405178	RELAY
0005	SC650109 00	VALVE BODY
0006	SC670012 00	VALVE CORE
0007	SC650106 00	CAP
0008	SC620419 02	FAN MOTOR ATEX
0008	SC620419 03	FAN MOTOR ATEX
0008	SC620419 33	BLADE
0008	SC620419 63	BRACKET
0009	SC620455 00	AIR COOLED CONDENSER
0011	SC630003 05	DRIER
0012	SC630137 01	MECHANICAL FILTER
0013	SC620306 27	HOT GAS VALVE BODY
0013	SC620306 48	HOT GAS VALVE COIL
0014	SC784615 01	EVAPORATOR ASSY
0014	SC784622 00	EVAPORATOR ASSY -LARGE CU
0014	SC784645 00	EVAPORATOR ASSY SMALL CUBE
0015	SC784632 02	SUCTION LINE ASSY
0022	SC650475 02	METAL CLIP
0022	SC660386 00	SPRING
0023	SC660465 01	PLUG
0023	SC741114 00R	BULB HOLDER



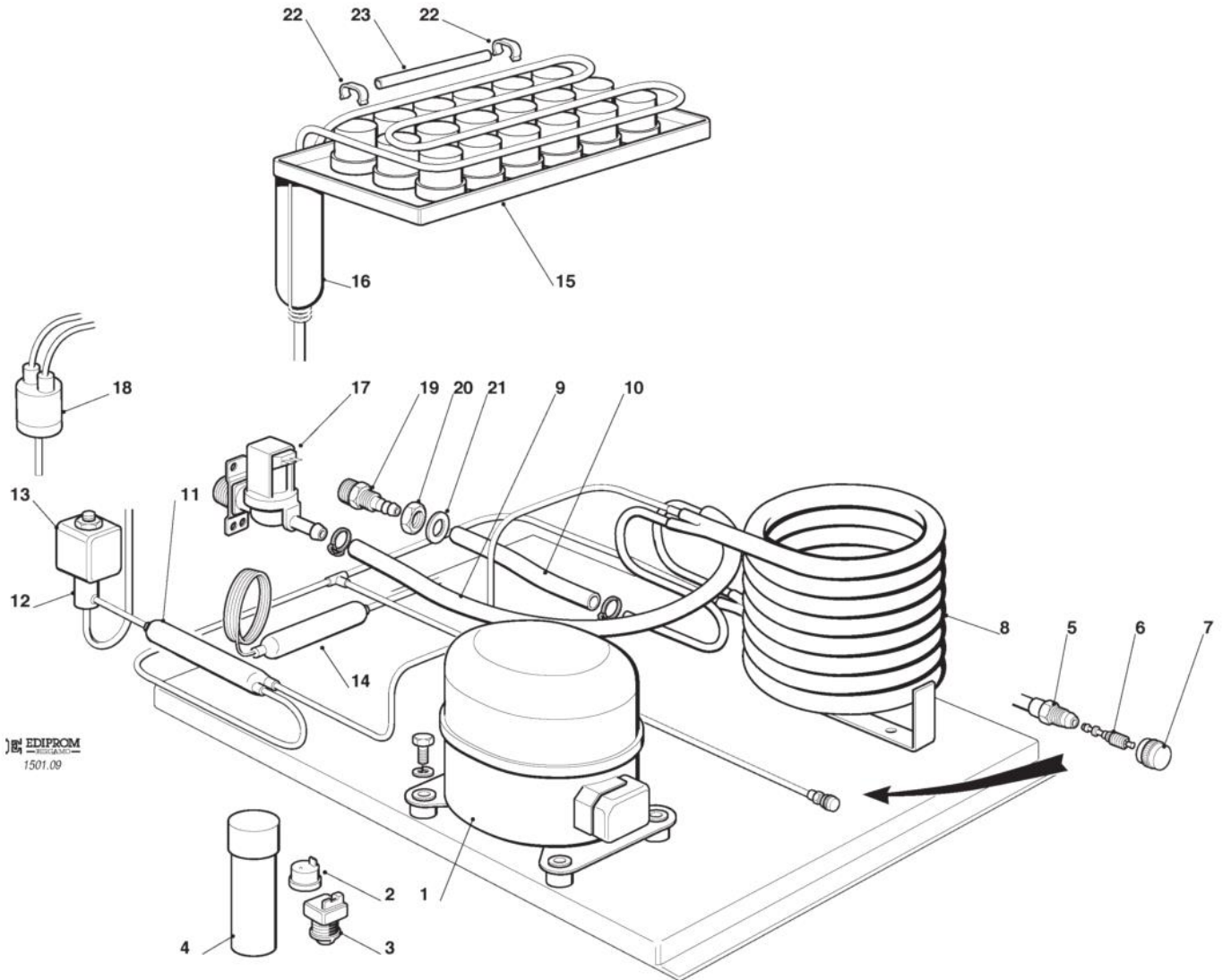
Pos	Code	Description
0001	SC670100 08	COMPRESSOR 230/60/1
0001	SC670106 06	COM.AE4450Y-FZ1C 220-240(WXAE-1020-BF-M)
0002	SC620167 00	START.CAP. - 8640162
0003	SC620478 19	PROTECTOR - 8570624
0003	SCCUB 102200	PROTECTOR
0004	SC620057 79	USE SC620057 42
0004	SCCUB 405178	RELAY
0005	SC650109 00	VALVE BODY
0006	SC670012 00	VALVE CORE
0007	SC650106 00	CAP
0008	SC620419 02	FAN MOTOR ATEX
0008	SC620419 03	FAN MOTOR ATEX
0008	SC620419 33	BLADE
0008	SC620419 63	BRACKET
0009	SC620455 00	AIR COOLED CONDENSER
0011	SC630003 05	DRIER
0012	SC630137 01	MECHANICAL FILTER
0013	SC620306 27	HOT GAS VALVE BODY
0013	SC620306 48	HOT GAS VALVE COIL
0014	SC784615 01	EVAPORATOR ASSY
0014	SC784622 00	EVAPORATOR ASSY -LARGE CU
0014	SC784645 00	EVAPORATOR ASSY SMALL CUBE
0015	SC784632 02	SUCTION LINE ASSY
0022	SC650475 02	METAL CLIP
0022	SC660386 00	SPRING
0023	SC660465 01	PLUG
0023	SC741114 00R	BULB HOLDER



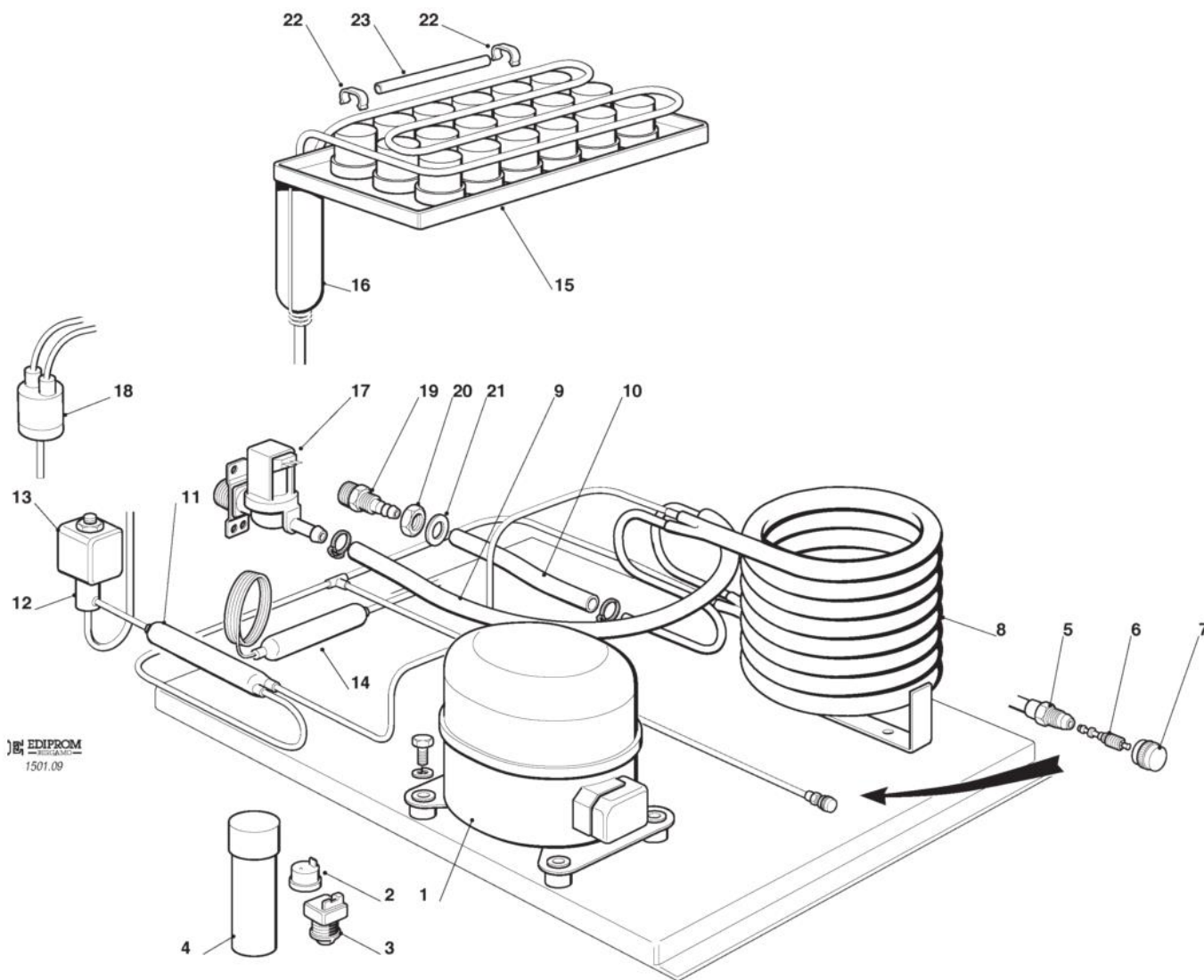
Pos	Code	Description
0001	SC670100 01	COMPRESSOR 230/50/1
0001	SC670100 08	COMPRESSOR 230/60/1
0002	SCCUB 102190	PROTECTOR
0002	SCCUB 102200	PROTECTOR
0003	SCCUB 405177	RELAY
0003	SCCUB 405178	RELAY
0004	SCCUB 102661	START CAPACITOR
0005	SC650109 00	VALVE BODY
0006	SC670012 00	VALVE CORE
0007	SC650106 00	CAP
0008	SC620389 00	WATER COOLED CONDENSER
0009	SC281900 01	TUBE 16X10
0010	SC281900 01	TUBE 16X10
0011	SC630137 01	MECHANICAL FILTER
0012	SC620306 27	HOT GAS VALVE BODY
0013	SC620306 48	HOT GAS VALVE COIL
0014	SC630003 05	DRIER
0015	SC784615 01	EVAPORATOR ASSY
0015	SC784622 00	EVAPORATOR ASSY -LARGE CU
0015	SC784645 00	EVAPORATOR ASSY SMALL CUBE
0016	SC784632 02	SUCTION LINE ASSY
0018	SC620075 00	PRESSOSTAT
0019	SC660291 00	TEE TUBE (D13)
0020	SC400030 01	NUT
0021	SC400031 00	WASHER
0022	SC650475 02	METAL CLIP
0022	SC660386 00	SPRING
0023	SC660465 01	PLUG
0023	SC741114 00R	BULB HOLDER



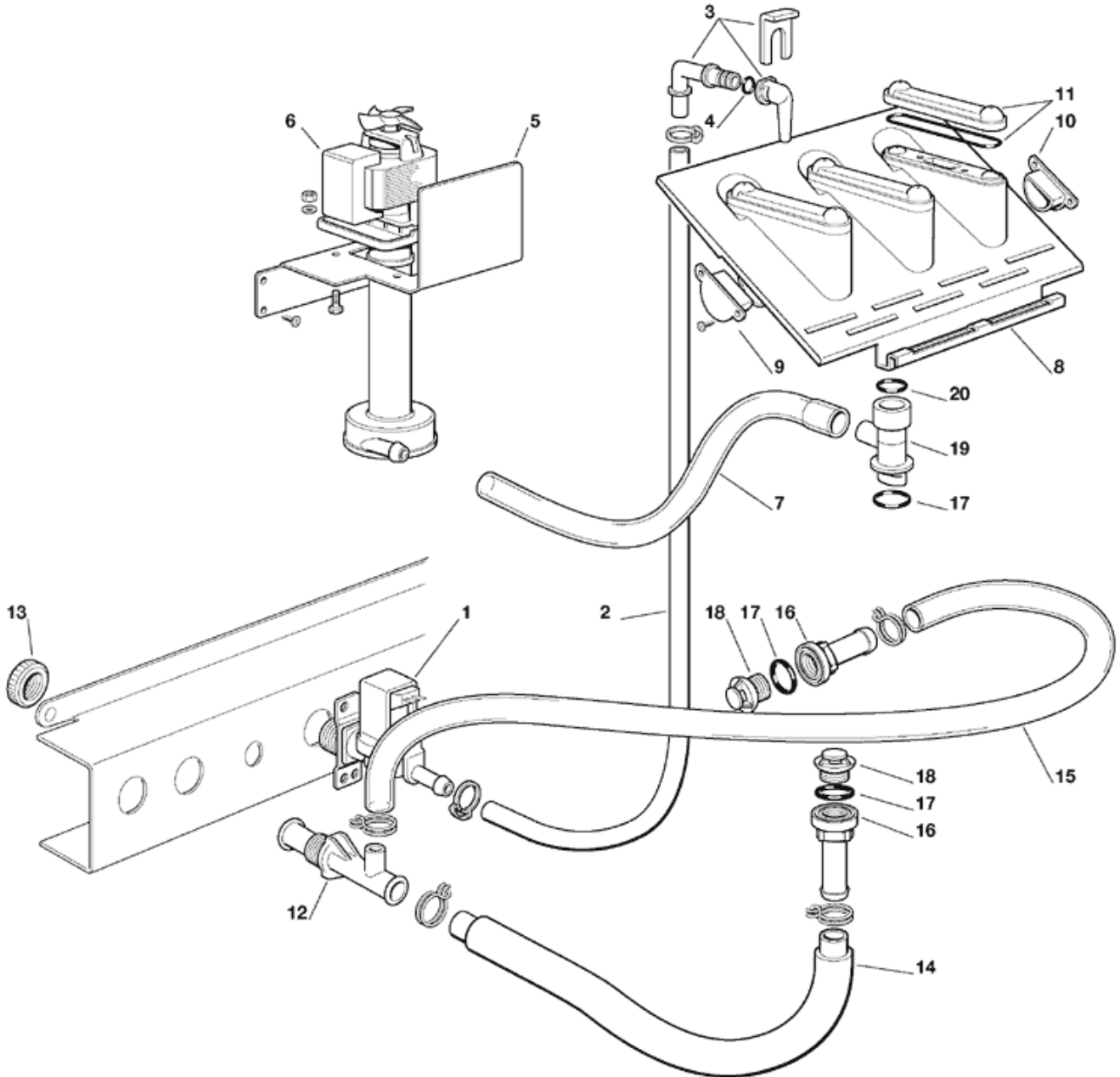
Pos	Code	Description
0001	SC670100 01	COMPRESSOR 230/50/1
0001	SC670100 08	COMPRESSOR 230/60/1
0002	SCCUB 102190	PROTECTOR
0002	SCCUB 102200	PROTECTOR
0003	SCCUB 405177	RELAY
0003	SCCUB 405178	RELAY
0004	SCCUB 102661	START CAPACITOR
0005	SC650109 00	VALVE BODY
0006	SC670012 00	VALVE CORE
0007	SC650106 00	CAP
0008	SC620389 00	WATER COOLED CONDENSER
0009	SC281900 01	TUBE 16X10
0010	SC281900 01	TUBE 16X10
0011	SC630137 01	MECHANICAL FILTER
0012	SC620306 27	HOT GAS VALVE BODY
0013	SC620306 48	HOT GAS VALVE COIL
0014	SC630003 05	DRIER
0015	SC784615 01	EVAPORATOR ASSY
0015	SC784622 00	EVAPORATOR ASSY -LARGE CU
0015	SC784645 00	EVAPORATOR ASSY SMALL CUBE
0016	SC784632 02	SUCTION LINE ASSY
0017	SC650105 74	WATER INLET VALVE
0018	SC620075 00	PRESSOSTAT
0019	SC660291 00	TEE TUBE (D13)
0020	SC400030 01	NUT
0021	SC400031 00	WASHER
0022	SC660386 00	SPRING
0023	SC660465 01	PLUG
0023	SC741114 00R	BULB HOLDER



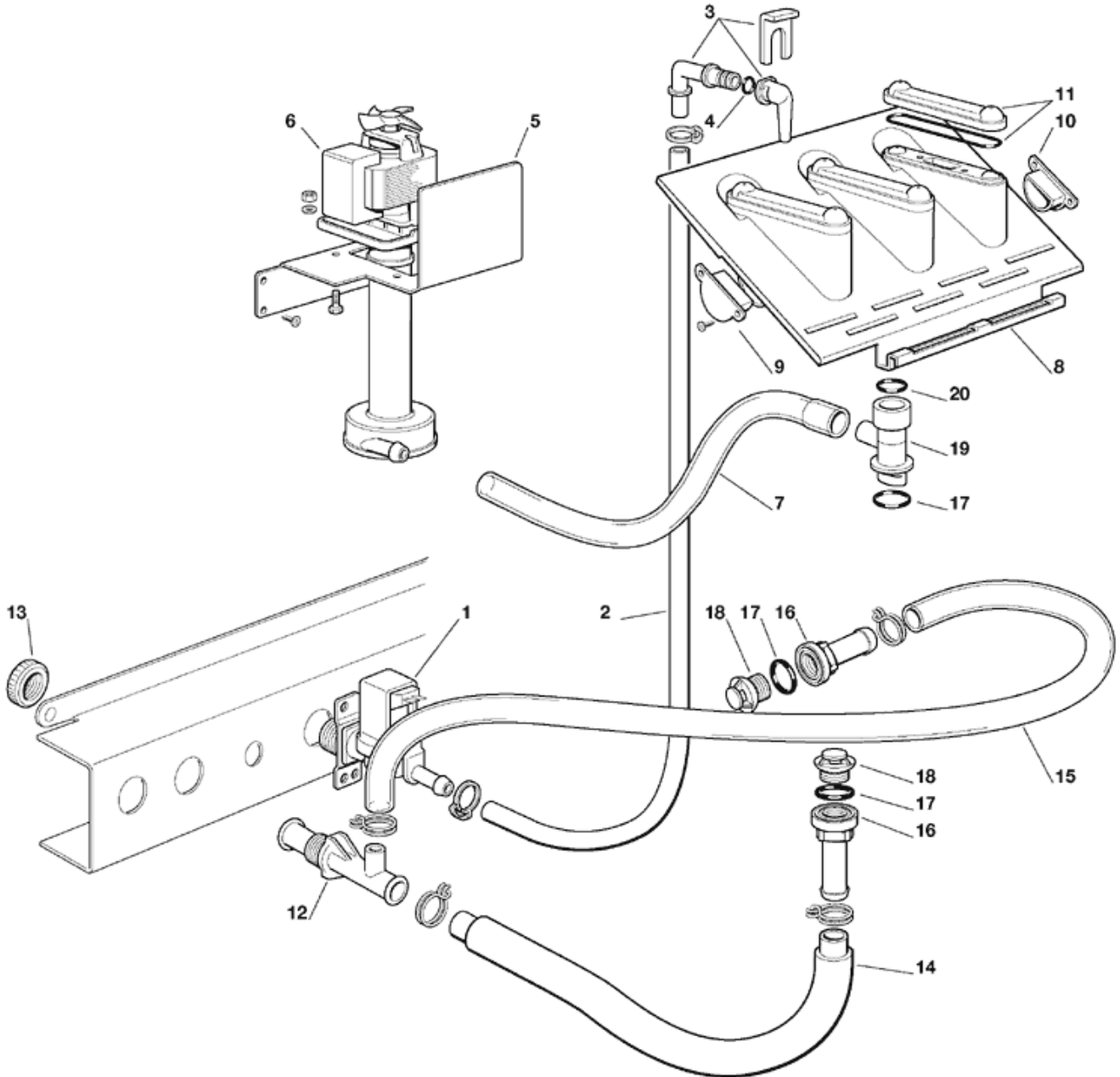
Pos	Code	Description
0001	SC670100 08	COMPRESSOR 230/60/1
0001	SC670106 06	COM.AE4450Y-FZ1C 220-240(WXAE-1020-BF-M)
0002	SC620058 71	PROTECTOR - 8670285
0002	SCCUB 102200	PROTECTOR
0003	SC620057 42	RELAY - 8662664
0003	SCCUB 405178	RELAY
0004	SC620167 01	START.CAP. - 8640161
0005	SC650109 00	VALVE BODY
0006	SC670012 00	VALVE CORE
0007	SC650106 00	CAP
0008	SC620389 00	WATER COOLED CONDENSER
0009	SC281900 01	TUBE 16X10
0010	SC281900 01	TUBE 16X10
0011	SC630137 01	MECHANICAL FILTER
0012	SC620306 27	HOT GAS VALVE BODY
0013	SC620306 48	HOT GAS VALVE COIL
0014	SC630003 05	DRIER
0015	SC784615 01	EVAPORATOR ASSY
0015	SC784622 00	EVAPORATOR ASSY -LARGE CU
0015	SC784645 00	EVAPORATOR ASSY SMALL CUBE
0016	SC784632 02	SUCTION LINE ASSY
0017	SC650105 74	WATER INLET VALVE
0018	SC620075 00	PRESSOSTAT
0019	SC660291 00	TEE TUBE (D13)
0020	SC400030 01	NUT
0021	SC400031 00	WASHER
0022	SC660386 00	SPRING
0023	SC660465 01	PLUG
0023	SC741114 00R	BULB HOLDER



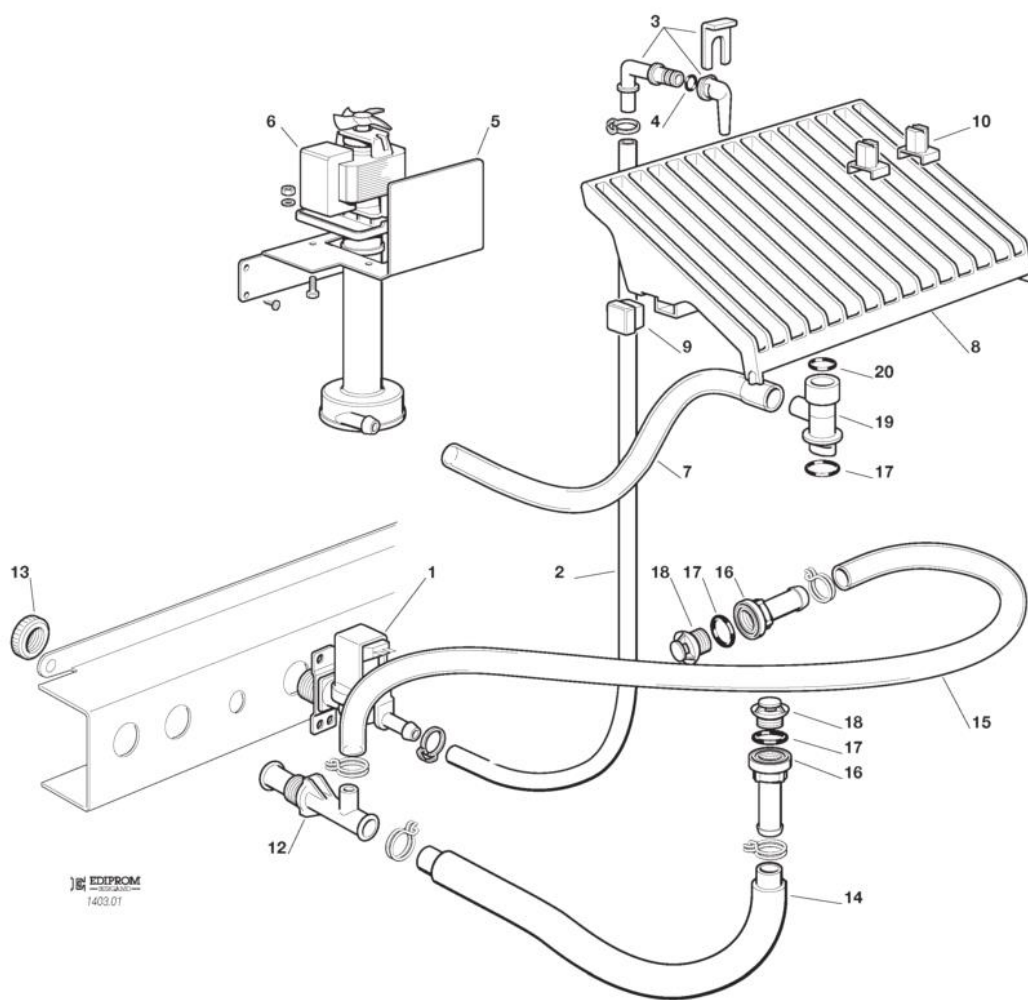
Pos	Code	Description
0001	SC670100 08	COMPRESSOR 230/60/1
0001	SC670106 06	COM.AE4450Y-FZ1C 220-240(WXAE-1020-BF-M)
0002	SC620478 19	PROTECTOR - 8570624
0002	SCCUB 102200	PROTECTOR
0003	SC620057 79	USE SC620057 42
0003	SCCUB 405178	RELAY
0004	SC620167 00	START.CAP. - 8640162
0005	SC650109 00	VALVE BODY
0006	SC670012 00	VALVE CORE
0007	SC650106 00	CAP
0008	SC620389 00	WATER COOLED CONDENSER
0009	SC281900 01	TUBE 16X10
0010	SC281900 01	TUBE 16X10
0011	SC630137 01	MECHANICAL FILTER
0012	SC620306 27	HOT GAS VALVE BODY
0013	SC620306 48	HOT GAS VALVE COIL
0014	SC630003 05	DRIER
0015	SC784615 01	EVAPORATOR ASSY
0015	SC784622 00	EVAPORATOR ASSY -LARGE CU
0015	SC784645 00	EVAPORATOR ASSY SMALL CUBE
0016	SC784632 02	SUCTION LINE ASSY
0017	SC650105 74	WATER INLET VALVE
0018	SC620075 00	PRESSOSTAT
0019	SC660291 00	TEE TUBE (D13)
0020	SC400030 01	NUT
0021	SC400031 00	WASHER
0022	SC660386 00	SPRING
0023	SC660465 01	PLUG
0023	SC741114 00R	BULB HOLDER



Pos	Code	Description
0001	SC650105 66	WATER INLET VALVE ASSY
0001	SC650105 70	WATER INLET VALVE
0002	SC281900 01	TUBE 16X10
0003	SC793172 00R	WATER INLET ASSY
0004	SC640041 31	O RING OR 2031 (WRAS-FDA)
0005	SC721937 00	PUMP BRACKET
0006	SC620423 01R	WATER PUMP ATEX
0006	SC620433 01	WATER PUMP 230V/60HZ/1PH
0007	SC610150 04	USE SC610150 08
0008	SC793129 10	SPRAY SYSTEM
0009	SC660520 07	NO LONGER AVAILABLE
0010	SC660520 06	NO LONGER AVAILABLE
0011	SC060529 01	USE SC060529 00
0012	SC660224 00	TEE TUBE
0013	SC660535 00	PLASTIC NUT
0014	SC610148 10	TUBE
0015	SC610204 00	TUBE
0016	SC660219 02	DRAIN FITTING
0017	SC640134 00	O RING
0018	SC660211 01	DRAIN FILTER
0019	SC660777 02	SPRAY PLATEN SEAT
0020	SC640041 32	O RING

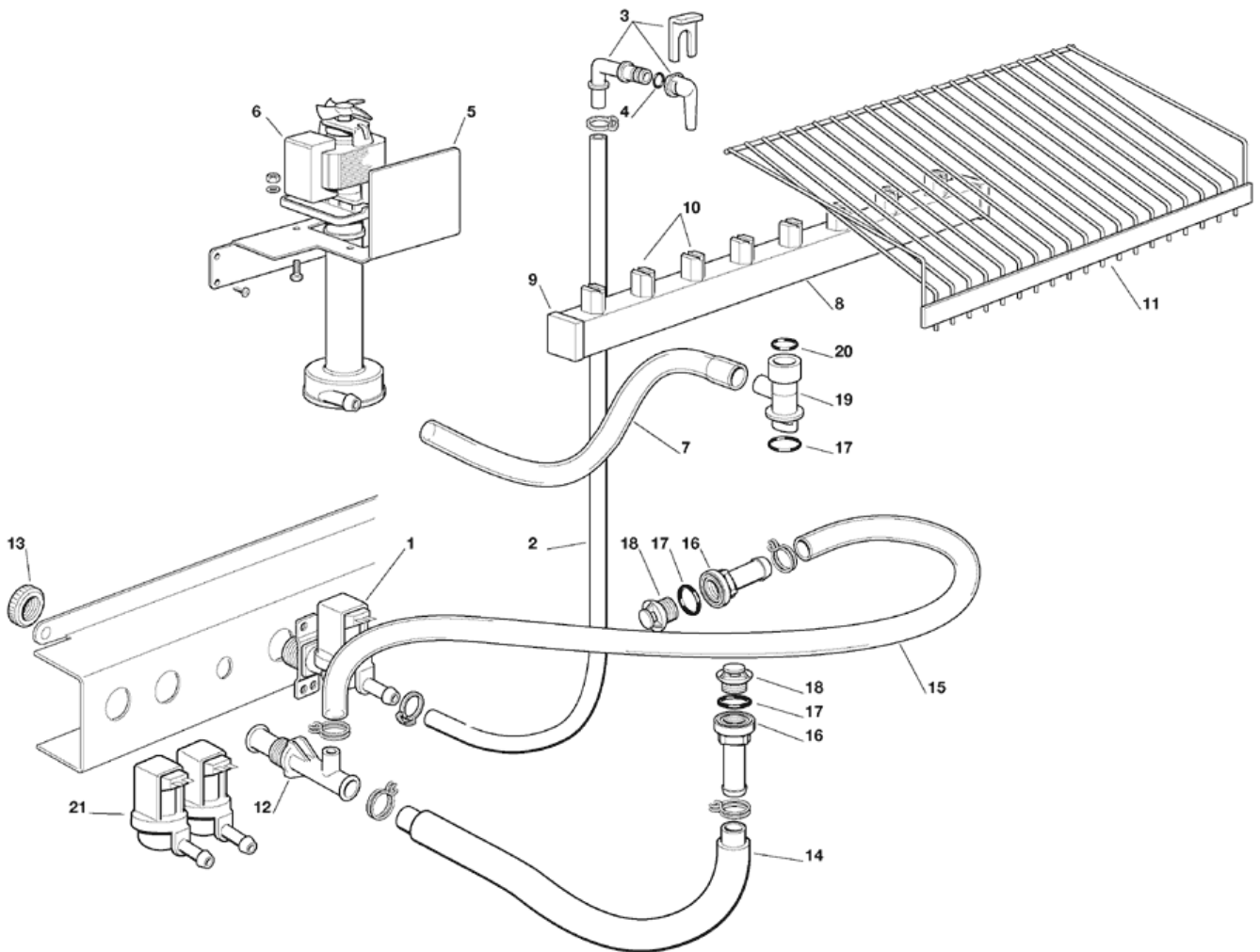


Pos	Code	Description
0001	SC650105 66	WATER INLET VALVE ASSY
0001	SC650105 74	WATER INLET VALVE
0002	SC281900 01	TUBE 16X10
0003	SC793172 00R	WATER INLET ASSY
0004	SC640041 31	O RING OR 2031 (WRAS-FDA)
0005	SC721937 00	PUMP BRACKET
0006	SC620423 01R	WATER PUMP ATEX
0006	SC620433 01	WATER PUMP 230V/60HZ/1PH
0007	SC610150 04	USE SC610150 08
0008	SC793129 10	SPRAY SYSTEM
0009	SC660520 07	NO LONGER AVAILABLE
0010	SC660520 06	NO LONGER AVAILABLE
0011	SC060529 01	USE SC060529 00
0012	SC660224 00	TEE TUBE
0013	SC660535 00	PLASTIC NUT
0014	SC610148 10	TUBE
0015	SC610204 00	TUBE
0016	SC660219 02	DRAIN FITTING
0017	SC640134 00	O RING
0018	SC660211 01	DRAIN FILTER
0019	SC660777 02	SPRAY PLATEN SEAT
0020	SC640041 32	O RING

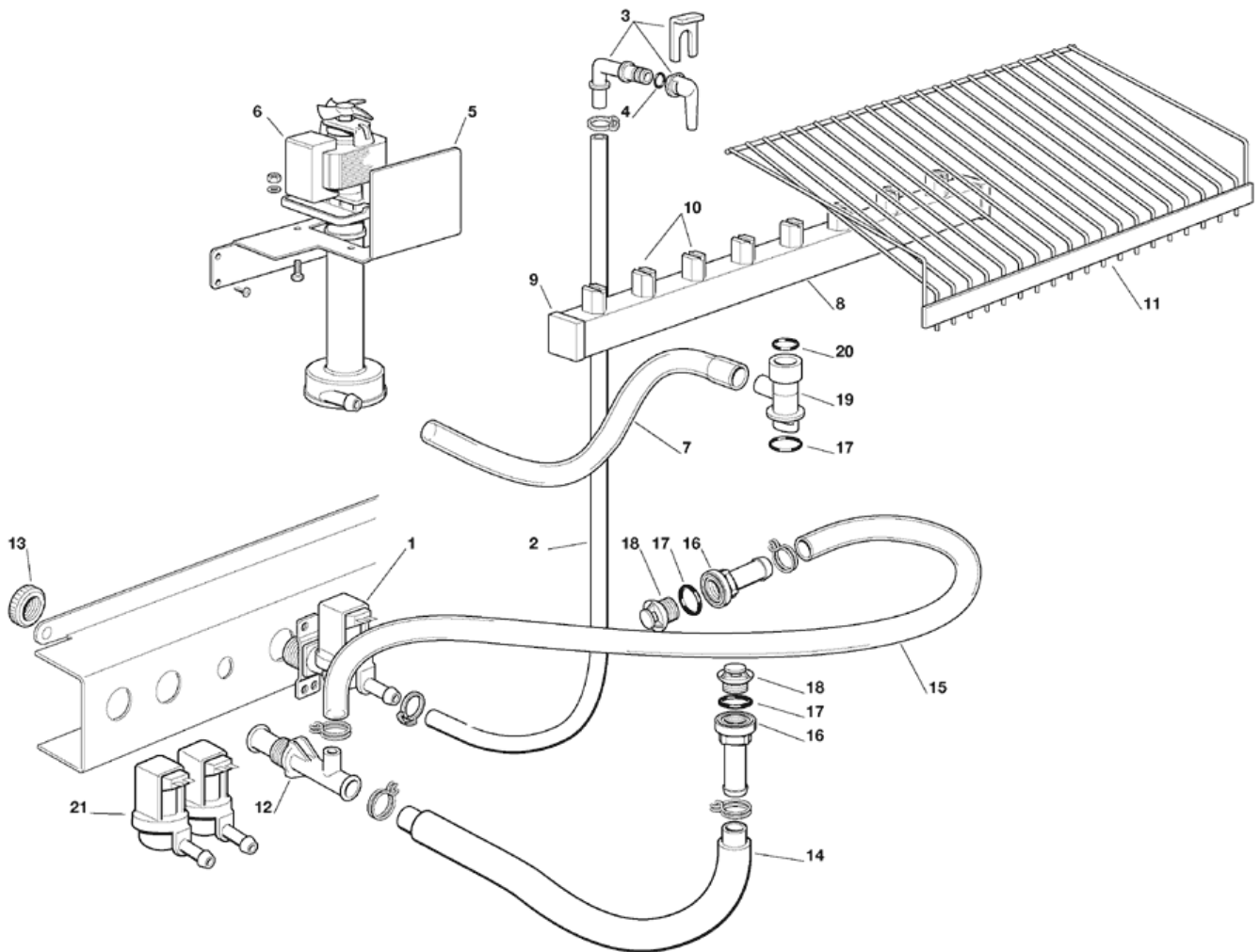


EDIPROM
1403.01

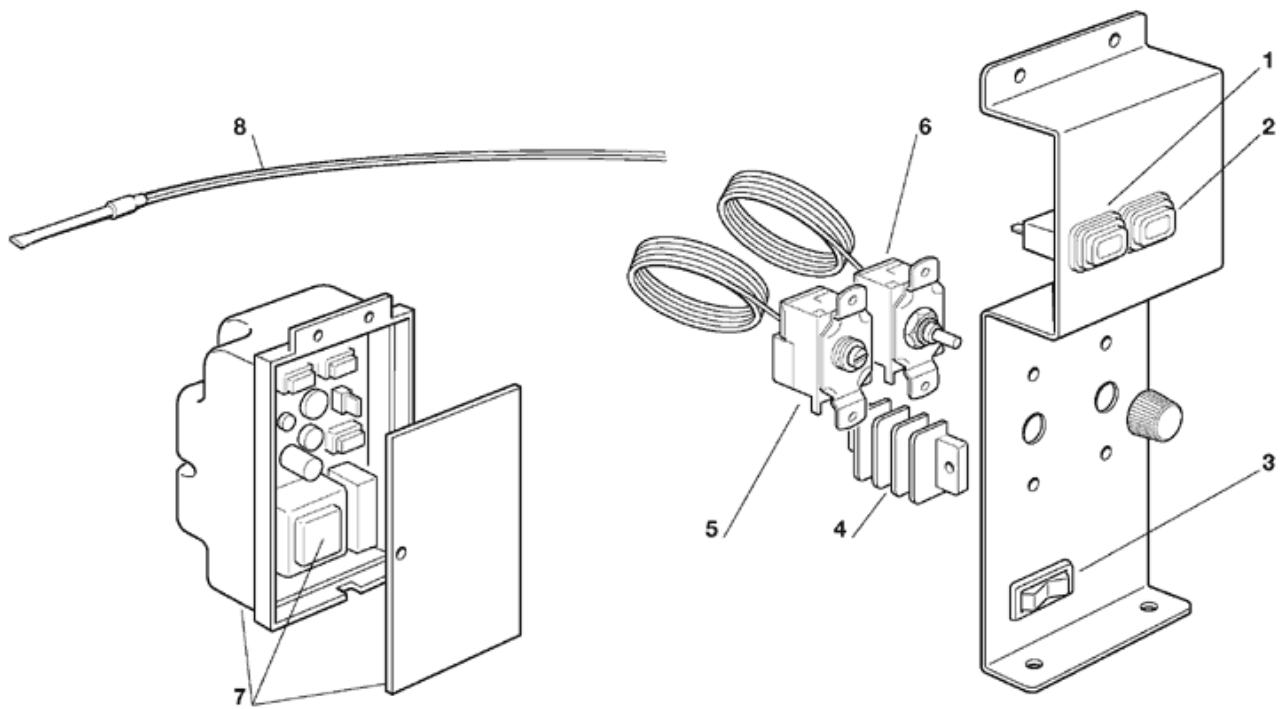
Pos	Code	Description
0001	SC650105 66	WATER INLET VALVE ASSY
0001	SC650105 74	WATER INLET VALVE
0002	SC281900 01	TUBE 16X10
0003	SC793172 00R	WATER INLET ASSY
0004	SC640041 31	O RING OR 2031 (WRAS-FDA)
0005	SC721937 00	PUMP BRACKET
0006	SC620423 01R	WATER PUMP ATEX
0006	SC620433 01	WATER PUMP 230V/60HZ/1PH
0007	SC610150 04	USE SC610150 08
0008	SC661082 00	SPRAY BAR & CHUTE
0009	SC660557 00	SPRAY CUP
0010	SC660558 00R	SPRAY NOZZLE (PACK OF 10 PCS)
0012	SC660224 00	TEE TUBE
0013	SC660535 00	PLASTIC NUT
0014	SC610148 10	TUBE
0015	SC610204 00	TUBE
0016	SC660219 01	BIN DRAIN
0017	SC640134 00	O RING
0018	SC660211 01	DRAIN FILTER
0019	SC660777 03	FITTING
0020	SC640041 32	O RING



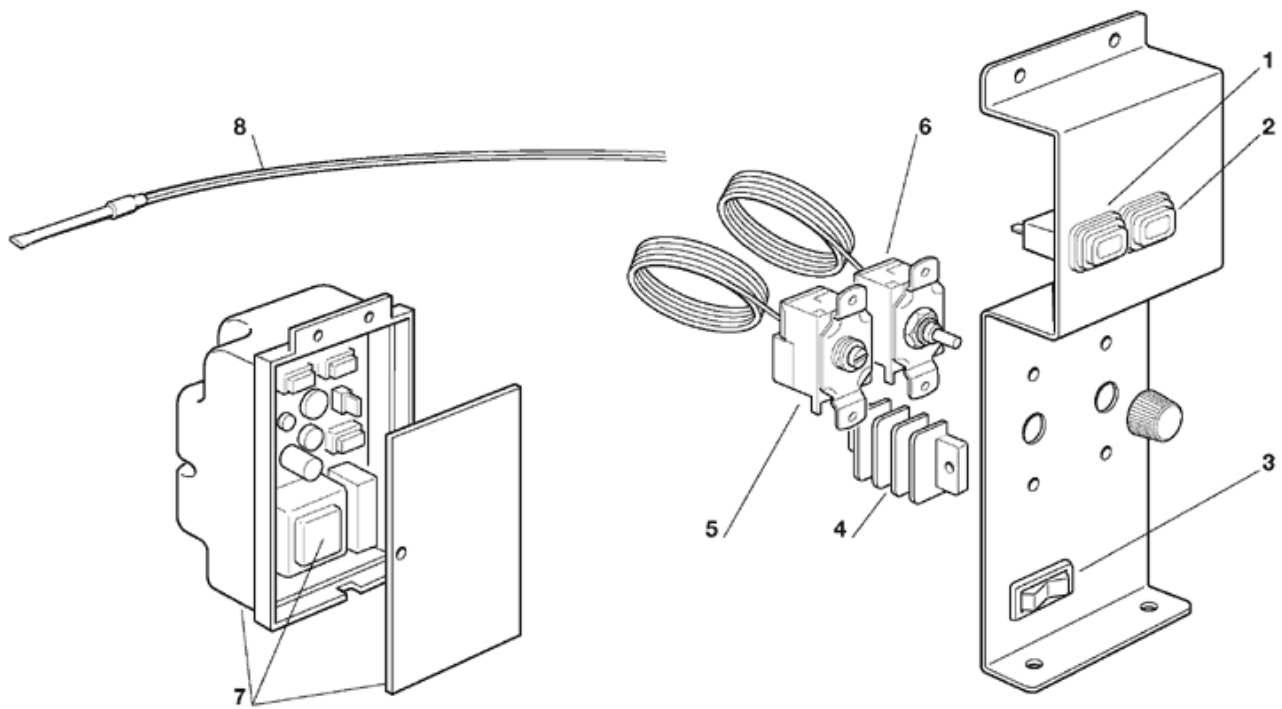
Pos	Code	Description
0001	SC650105 66	WATER INLET VALVE ASSY
0002	SC281900 01	TUBE 16X10
0003	SC793172 00R	WATER INLET ASSY
0004	SC640041 31	O RING OR 2031 (WRAS-FDA)
0005	SC721937 00	PUMP BRACKET
0006	SC620423 01R	WATER PUMP ATEX
0006	SC620433 01	WATER PUMP 230V/60HZ/1PH
0007	SC610150 04	USE SC610150 08
0008	SC650665 32	SPRAY TUBE
0008	SC650951 01	SPRAY TUBE
0009	SC660557 00	SPRAY CUP
0010	SC660558 00R	SPRAY NOZZLE (PACK OF 10 PCS)
0011	SC650859 00	ICE DEFLECTOR
0011	SC650937 00	CUBE DEFLECTOR SMALL
0012	SC660224 00	TEE TUBE
0013	SC660535 00	PLASTIC NUT
0014	SC610148 10	TUBE
0015	SC610204 00	TUBE
0016	SC660219 02	DRAIN FITTING
0017	SC640134 00	O RING
0018	SC660211 01	DRAIN FILTER
0019	SC660777 03	FITTING
0020	SC640041 32	O RING
0021	SC650105 70	WATER INLET VALVE



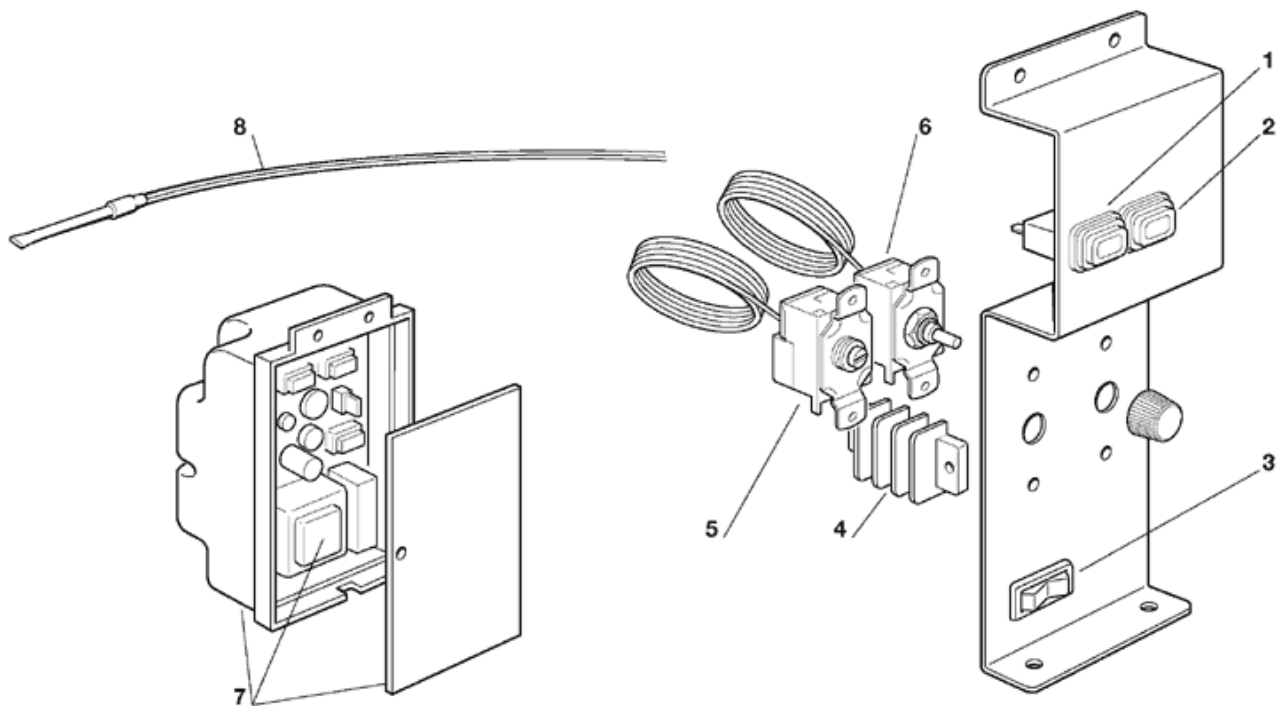
Pos	Code	Description
0001	SC650105 66	WATER INLET VALVE ASSY
0002	SC281900 01	TUBE 16X10
0003	SC793172 00R	WATER INLET ASSY
0004	SC640041 31	O RING OR 2031 (WRAS-FDA)
0005	SC721937 00	PUMP BRACKET
0006	SC620423 01R	WATER PUMP ATEX
0006	SC620433 01	WATER PUMP 230V/60HZ/1PH
0007	SC610150 04	USE SC610150 08
0008	SC650665 32	SPRAY TUBE
0008	SC650951 01	SPRAY TUBE
0009	SC660557 00	SPRAY CUP
0010	SC660558 00R	SPRAY NOZZLE (PACK OF 10 PCS)
0011	SC650859 00	ICE DEFLECTOR
0011	SC650937 00	CUBE DEFLECTOR SMALL
0012	SC660224 00	TEE TUBE
0013	SC660535 00	PLASTIC NUT
0014	SC610148 10	TUBE
0015	SC610204 00	TUBE
0016	SC660219 02	DRAIN FITTING
0017	SC640134 00	O RING
0018	SC660211 01	DRAIN FILTER
0019	SC660777 03	FITTING
0020	SC640041 32	O RING
0021	SC650105 74	WATER INLET VALVE



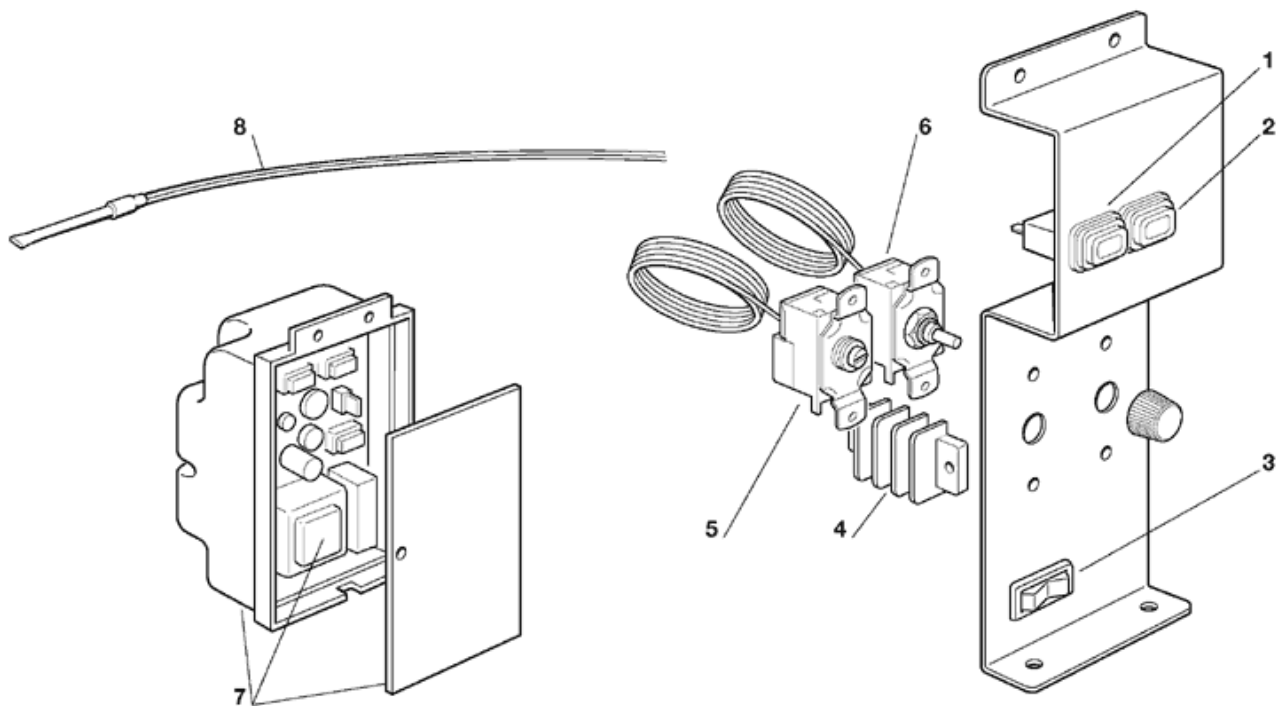
Pos	Code	Description
0001	SC060666 00	SWITCHES ASSY
0002	SC060666 00	SWITCHES ASSY
0003	SC620442 01	SWITCH
0004	SC630114 01	TERMINAL BOARD
0005	SC630005 00	BIN THERMOSTAT
0006	SC620264 06	KNOB
0006	SC620264 11	EVAPORATOR THERMOSTAT
0007	SC060711 30	PC BOARD KIT
0007	SC620489 01	THREE WIRES CABLE
0008	SC620404 11	CONDENSER SENSOR



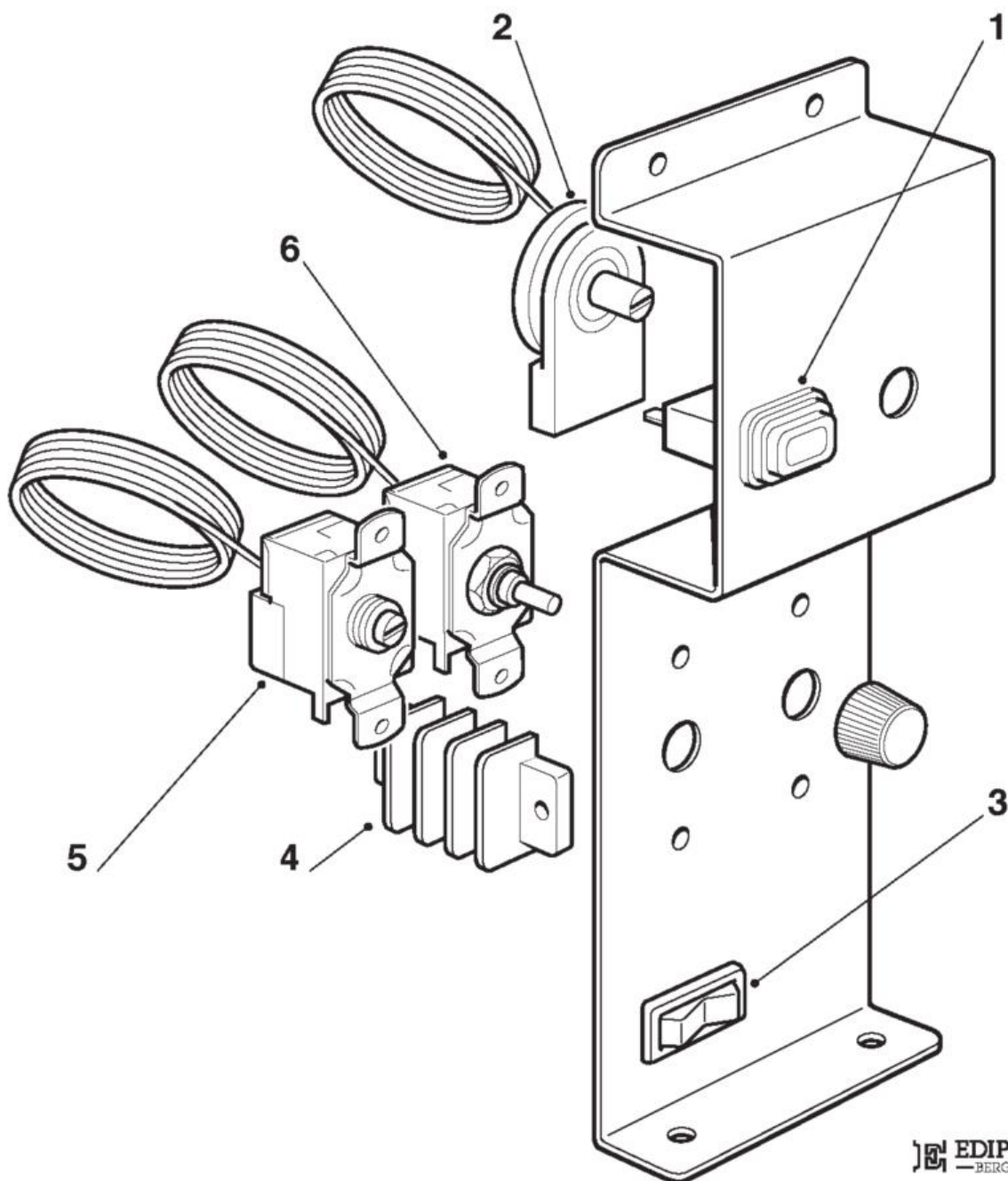
Pos	Code	Description
0001	SC620487 01	SWITCH
0001	SC620487 04	PLASTIC COVER
0001	SC620504 00	RED WARNING LIGHT
0002	SC620487 00	GREEN SWITCH
0002	SC620487 04	PLASTIC COVER
0003	SC620442 01	SWITCH
0004	SC630114 01	TERMINAL BOARD
0005	SC630005 00	BIN THERMOSTAT
0006	SC620264 06	KNOB
0006	SC620264 11	EVAPORATOR THERMOSTAT
0007	SC060711 30	PC BOARD KIT
0007	SC620489 01	THREE WIRES CABLE
0008	SC620404 11	CONDENSER SENSOR



Pos	Code	Description
0001	SC620487 01	SWITCH
0002	SC620487 00	GREEN SWITCH
0003	SC620442 01	SWITCH
0004	SC630114 01	TERMINAL BOARD
0005	SC630005 00	BIN THERMOSTAT
0006	SC620264 06	KNOB
0006	SC620264 11	EVAPORATOR THERMOSTAT
0007	SC060711 30	PC BOARD KIT
0007	SC620489 01	THREE WIRES CABLE
0008	SC620404 11	CONDENSER SENSOR

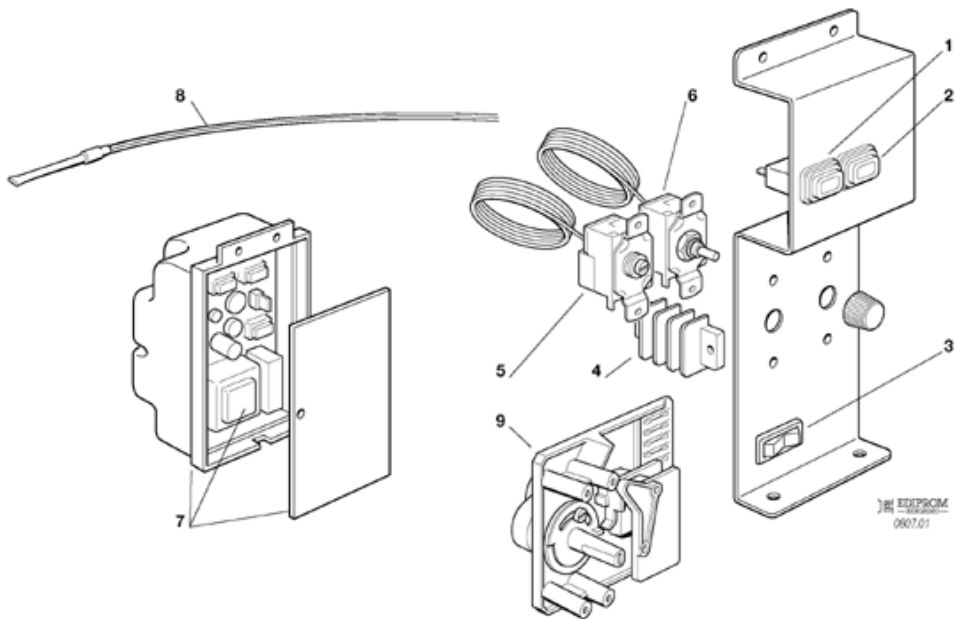


Pos	Code	Description
0001	SC620487 01	SWITCH
0002	SC620487 00	GREEN SWITCH
0003	SC620442 01	SWITCH
0004	SC630114 01	TERMINAL BOARD
0005	SC630005 00	BIN THERMOSTAT
0006	SC620264 06	KNOB
0006	SC620264 11	EVAPORATOR THERMOSTAT
0007	SC620489 01	THREE WIRES CABLE
0007	SC620489 03	PC BOARD
0008	SC620519 04	CONDENSER SENSOR NTC

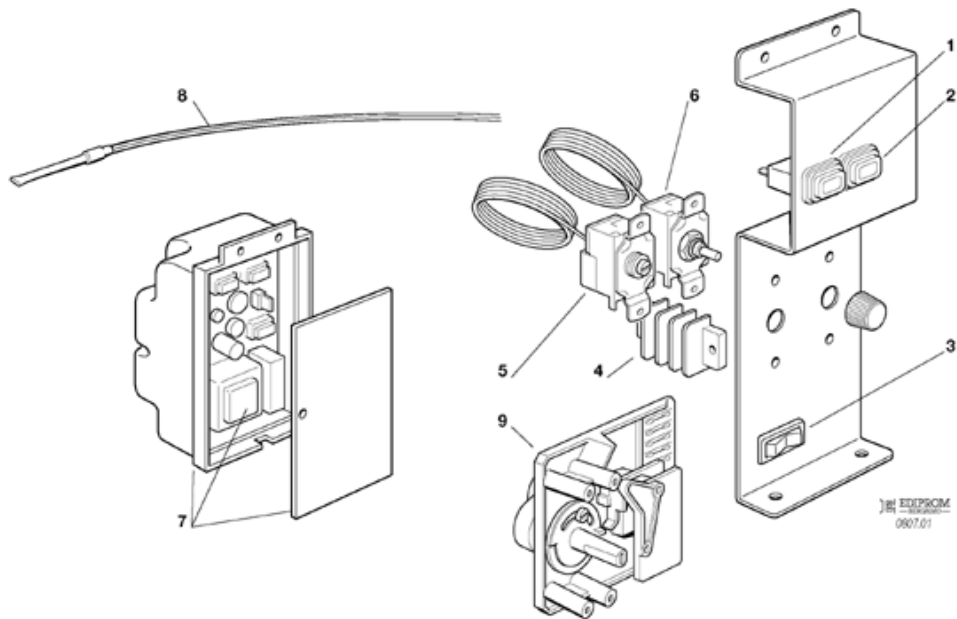


 **EDIPROM**
—BERGAMO—
1501.03

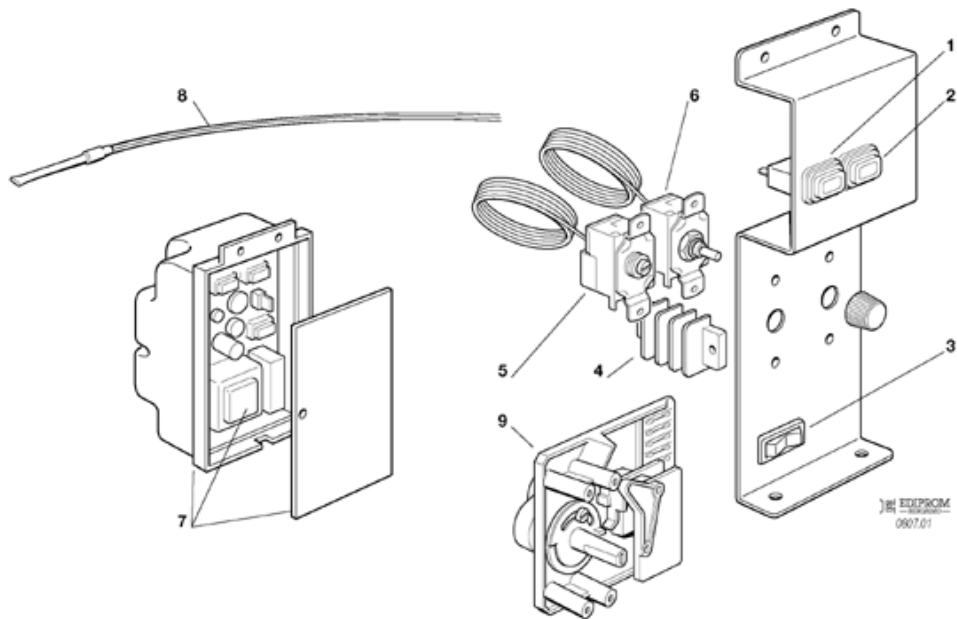
Pos	Code	Description
0001	SC620487 00	GREEN SWITCH
0002	SC620599 00	SAFETY THERMOSTAT
0003	SC620442 01	SWITCH
0004	SC630114 01	TERMINAL BOARD
0005	SC630005 00	BIN THERMOSTAT
0006	SC620264 06	KNOB
0006	SC620264 11	EVAPORATOR THERMOSTAT



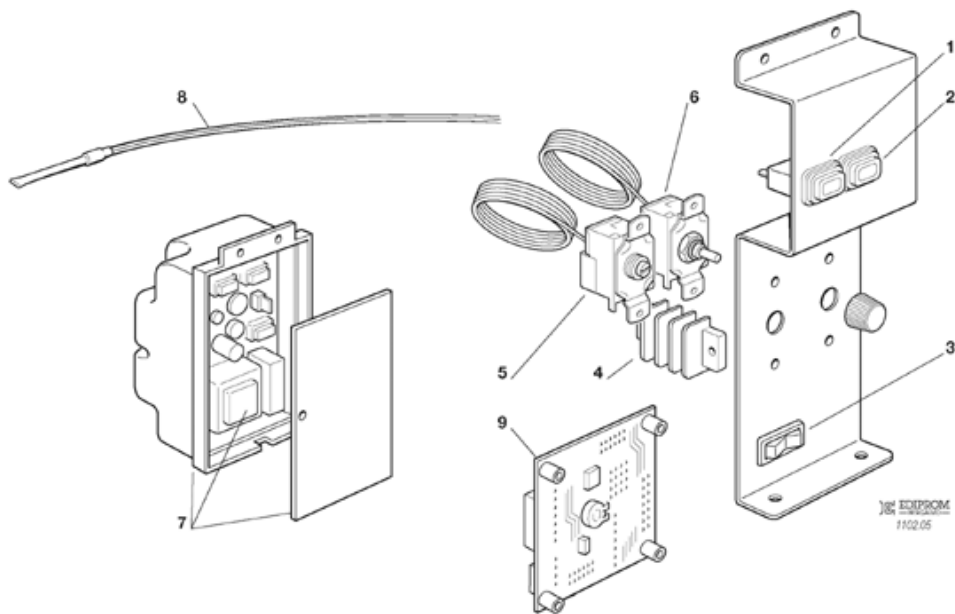
Pos	Code	Description
0001	SC060666 00	SWITCHES ASSY
0002	SC060666 00	SWITCHES ASSY
0003	SC620442 01	SWITCH
0004	SC630114 01	TERMINAL BOARD
0005	SC630005 00	BIN THERMOSTAT
0006	SC620201 01	EVAPORATOR THERMOSTAT
0007	SC060711 30	PC BOARD KIT
0007	SC620489 01	THREE WIRES CABLE
0008	SC620404 11	CONDENSER SENSOR
0009	SC060769 00	KIT ELECT. TIMER-RETROFIT



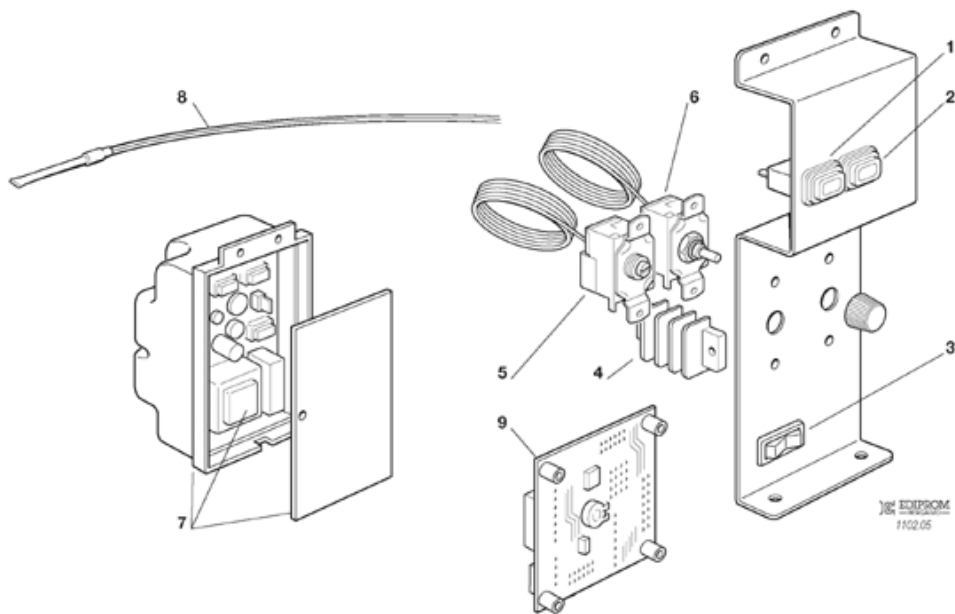
Pos	Code	Description
0001	SC620487 01	SWITCH
0001	SC620487 04	PLASTIC COVER
0001	SC620504 00	RED WARNING LIGHT
0002	SC620487 00	GREEN SWITCH
0002	SC620487 04	PLASTIC COVER
0003	SC620442 01	SWITCH
0004	SC630114 01	TERMINAL BOARD
0005	SC630005 00	BIN THERMOSTAT
0006	SC620201 01	EVAPORATOR THERMOSTAT
0007	SC060711 30	PC BOARD KIT
0007	SC620489 01	THREE WIRES CABLE
0008	SC620404 11	CONDENSER SENSOR
0009	SC060769 00	KIT ELECT. TIMER-RETROFIT



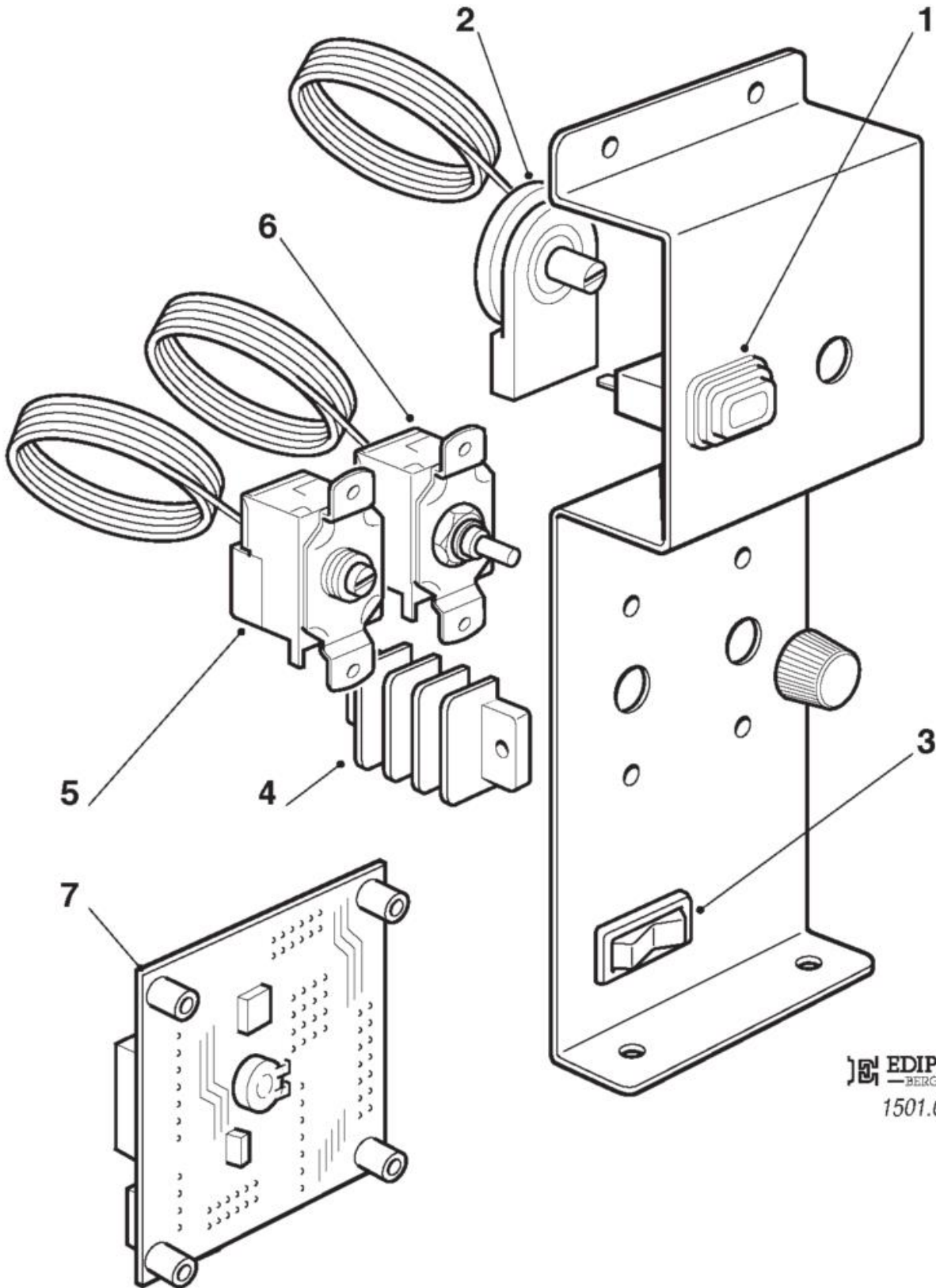
Pos	Code	Description
0001	SC620487 01	SWITCH
0002	SC620487 00	GREEN SWITCH
0003	SC620442 01	SWITCH
0004	SC630114 01	TERMINAL BOARD
0005	SC630005 00	BIN THERMOSTAT
0006	SC620201 01	EVAPORATOR THERMOSTAT
0007	SC060711 30	PC BOARD KIT
0007	SC620489 01	THREE WIRES CABLE
0008	SC620404 11	CONDENSER SENSOR
0009	SC060769 00	KIT ELECT. TIMER-RETROFIT



Pos	Code	Description
0001	SC620487 01	SWITCH
0002	SC620487 00	GREEN SWITCH
0003	SC620442 01	SWITCH
0004	SC630114 01	TERMINAL BOARD
0005	SC630005 00	BIN THERMOSTAT
0006	SC620201 01	EVAPORATOR THERMOSTAT
0007	SC060711 30	PC BOARD KIT
0007	SC620489 01	THREE WIRES CABLE
0008	SC620404 11	CONDENSER SENSOR
0009	SC620507 00	TIMER



Pos	Code	Description
0001	SC620487 01	SWITCH
0002	SC620487 00	GREEN SWITCH
0003	SC620442 01	SWITCH
0004	SC630114 01	TERMINAL BOARD
0005	SC630005 00	BIN THERMOSTAT
0006	SC620201 01	EVAPORATOR THERMOSTAT
0007	SC620489 01	THREE WIRES CABLE
0007	SC620489 03	PC BOARD
0008	SC620519 04	CONDENSER SENSOR NTC
0009	SC620507 00	TIMER



EDIPROM
—BERGAMO—
1501.04

Pos	Code	Description
0001	SC620487 00	GREEN SWITCH
0002	SC620599 00	SAFETY THERMOSTAT
0004	SC630114 01	TERMINAL BOARD
0005	SC620201 01	EVAPORATOR THERMOSTAT
0006	SC630005 00	BIN THERMOSTAT
0007	SC620507 00	TIMER