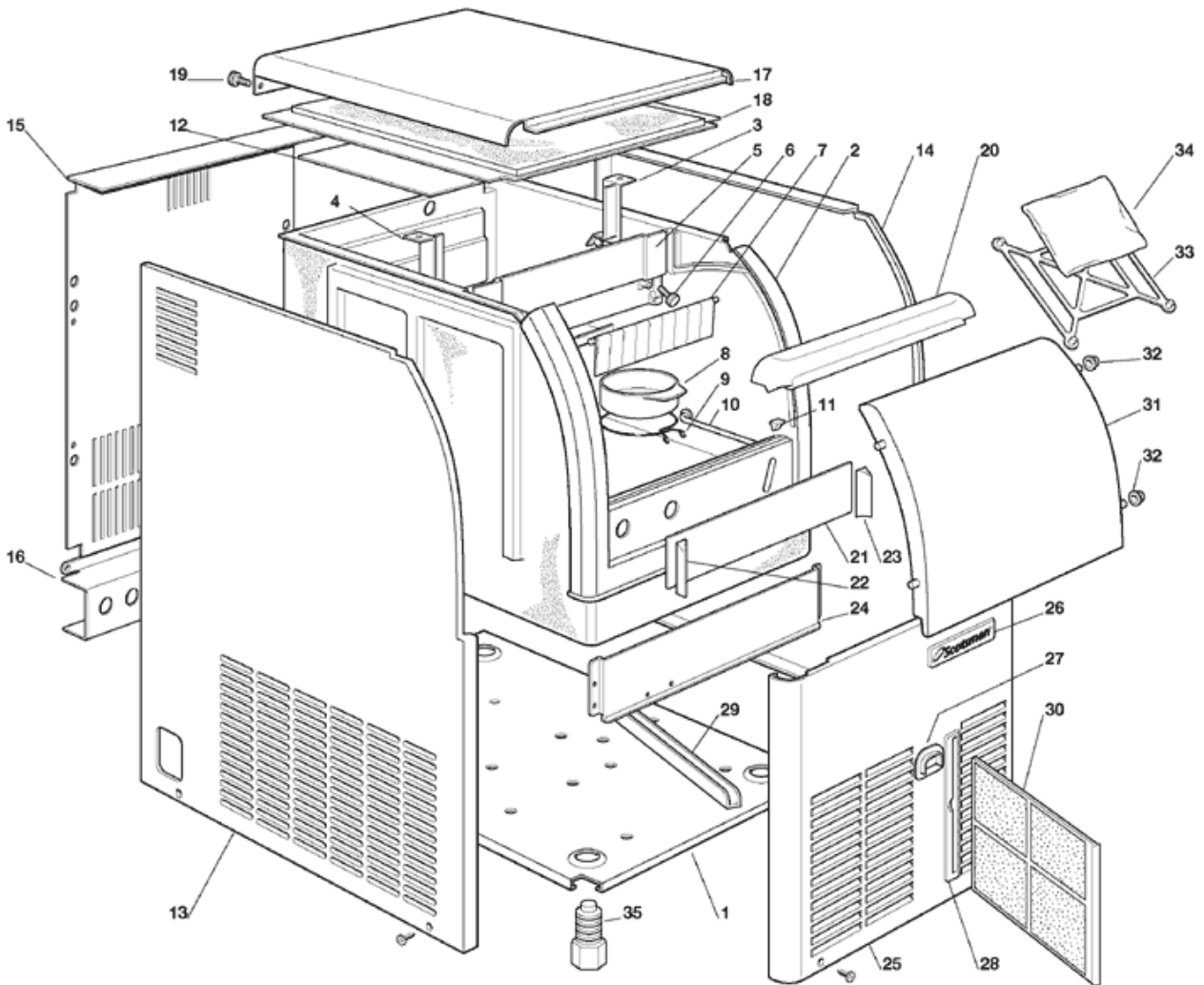
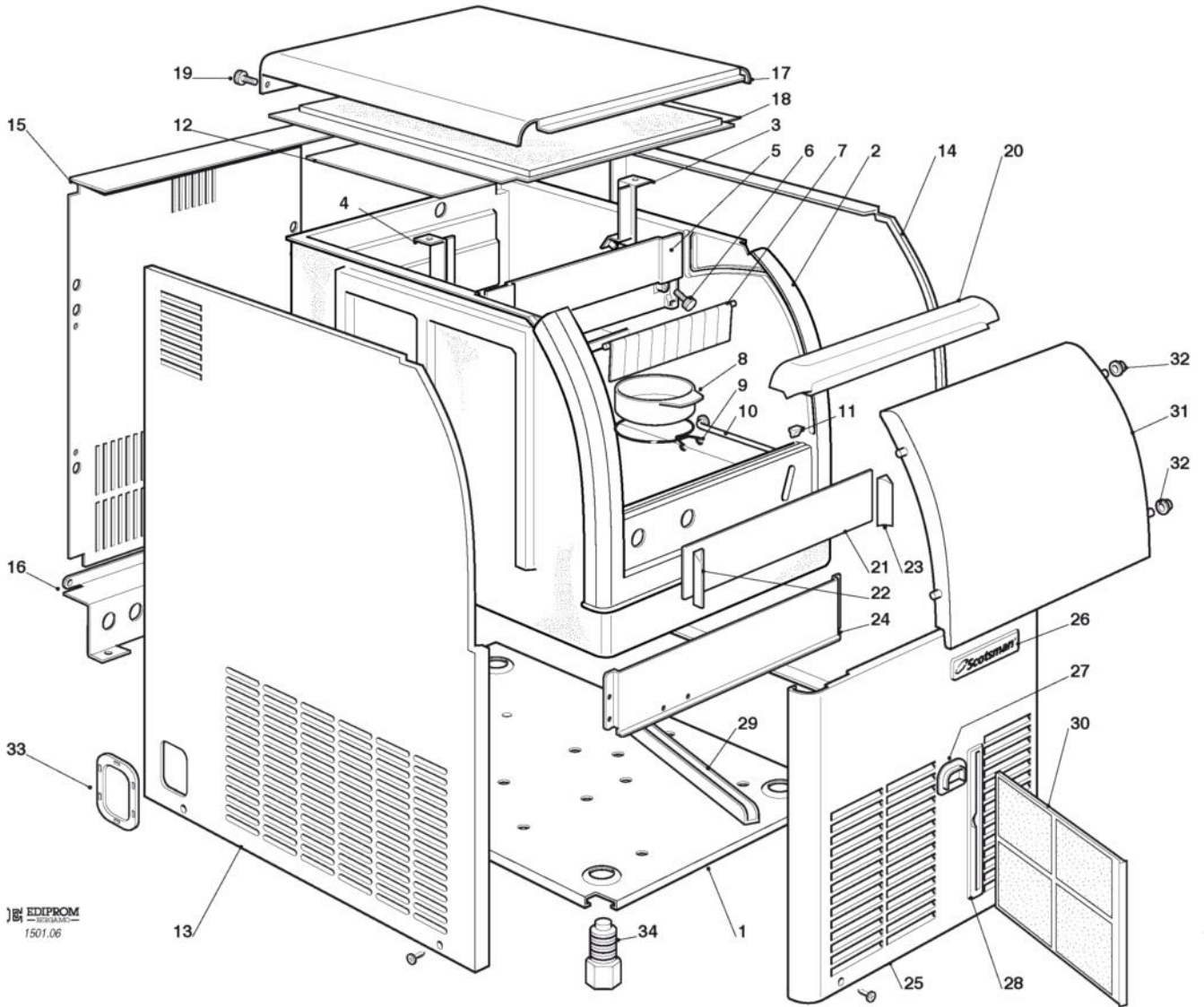


Pos	Code	Description
0001	SC702386 00	UNIT BASE
0002	SC782101 00R	STORAGE BIN ASSY
0003	SC660778 00	USE SC660778 02
0004	SC660778 01	USE SC660778 03
0005	SC660775 00	USE SC660775 01
0006	SC650806 05	THUMB SCREW
0007	SC784457 07R	CURTAIN ASSY
0008	SC660741 00	PLASTIC PLUG
0009	SC460047 00	SPRING
0010	SC732017 00	BULB HOLDER
0011	SC660816 00	SHOCK ABSORBER
0012	SC742033 04	EVAPORATOR COVER
0013	SC721947 00	PANEL,LEFT SIDE
0014	SC721946 00	PANEL,RIGHT SIDE
0015	SC702426 00	REAR PANEL
0016	SC702388 00	BRACKET
0017	SC721949 00	TOP PANEL
0018	SC650900 00	INSULATION
0018	SC660822 00	BIN COVER
0019	SC650806 00	PIVOT
0020	SC660776 00	FRONT LINER
0021	SC721970 00	S.S.FRONT LINER
0022	SC660830 01	CORNER PROTECTION LEFT
0023	SC660830 00	CORNER PROTECTION RIGHT
0024	SC702402 00	FRONT BRACKET
0025	SC721948 01	FRONT PANEL
0025	SC722796 00	FRONT PANEL A EC 46
0026	SC650850 00	SCOTSMAN EMBLEM
0027	SC660829 00	FRONT SWITCH PLASTIC PROT
0028	SC660804 00	AIR FILTER SEAT
0029	SC660838 00	AIT FILTER SLIDING GUIDE
0030	SC660805 00	AIR FILTER
0031	SC660814 00	BIN DOOR
0032	SC660286 00	BUSHING
0033	SC660831 00	ANTIBACTERIAS GRILL BAG - NLA
0034	SC650909 00	NO LONGER AVAILABLE
0035	SC650382 01	LEG

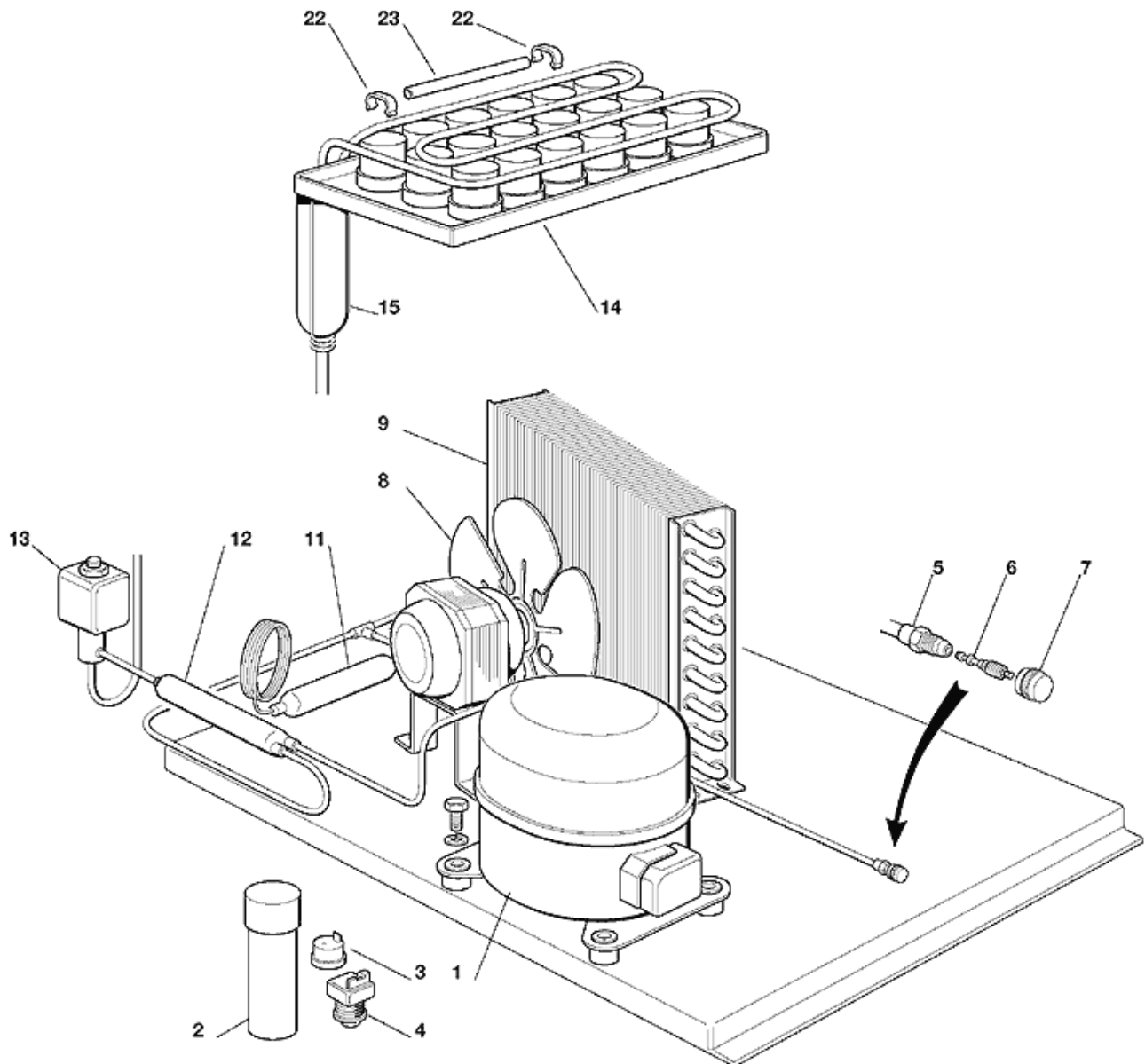


Pos	Code	Description
0001	SC702458 00	UNIT BASE
0002	SC782101 00R	STORAGE BIN ASSY
0003	SC660778 00	USE SC660778 02
0004	SC660778 01	USE SC660778 03
0005	SC660775 00	USE SC660775 01
0006	SC650806 05	THUMB SCREW
0007	SC784457 07R	CURTAIN ASSY
0008	SC660741 00	PLASTIC PLUG
0009	SC460047 00	SPRING
0010	SC732017 00	BULB HOLDER
0011	SC660816 00	SHOCK ABSORBER
0012	SC742033 04	EVAPORATOR COVER
0013	SC722275 00	LEFT SIDE PANEL
0014	SC722274 00	RIGHT SIDE PANEL
0015	SC702387 00	REAR PANEL
0016	SC702462 00	METAL BRACKET
0017	SC721949 00	TOP PANEL
0018	SC650900 00	INSULATION
0018	SC660822 00	BIN COVER
0019	SC650806 00	PIVOT
0020	SC660776 00	FRONT LINER
0021	SC721970 00	S.S.FRONT LINER
0022	SC660830 01	CORNER PROTECTION LEFT
0023	SC660830 00	CORNER PROTECTION RIGHT
0024	SC702402 00	FRONT BRACKET
0025	SC721948 01	FRONT PANEL
0025	SC722796 00	FRONT PANEL A EC 46
0026	SC650850 00	SCOTSMAN EMBLEM
0027	SC660829 00	FRONT SWITCH PLASTIC PROT
0028	SC660804 00	AIR FILTER SEAT
0029	SC660838 00	AIT FILTER SLIDING GUIDE
0030	SC660805 00	AIR FILTER
0031	SC660814 00	BIN DOOR
0032	SC660286 00	BUSHING
0033	SC660831 00	ANTIBACTERIAS GRILL BAG - NLA
0034	SC650909 00	NO LONGER AVAILABLE
0035	SC650382 01	LEG

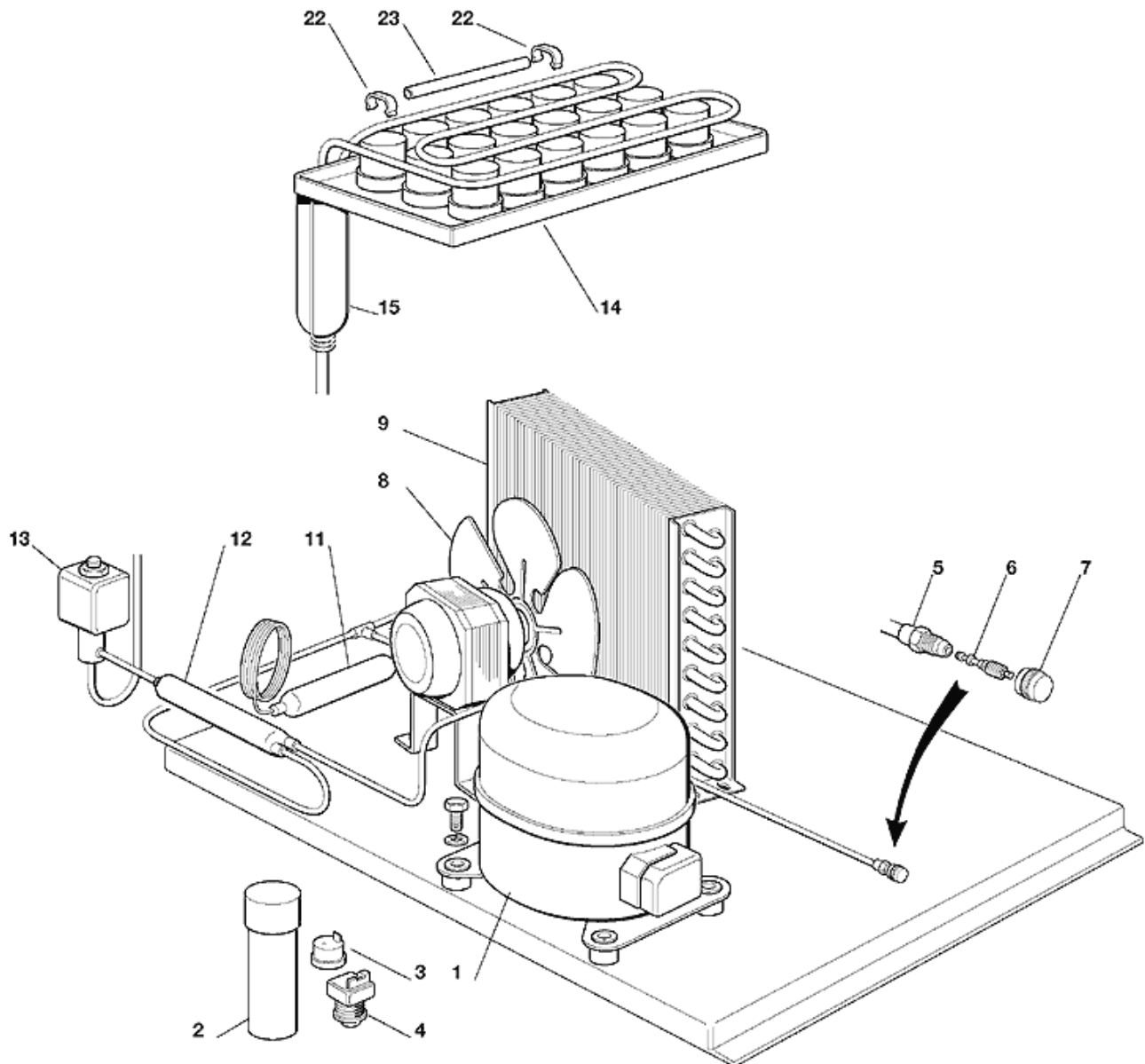


EDIPROM
1501.06

Pos	Code	Description
0002	SC782101 00R	STORAGE BIN ASSY
0003	SC660778 00	USE SC660778 02
0004	SC660778 01	USE SC660778 03
0005	SC660775 00	USE SC660775 01
0006	SC650806 05	THUMB SCREW
0007	SC784457 07R	CURTAIN ASSY
0008	SC660741 00	PLASTIC PLUG
0009	SC460047 00	SPRING
0010	SC732017 00	BULB HOLDER
0011	SC660816 00	SHOCK ABSORBER
0012	SC742033 04	EVAPORATOR COVER
0013	SC722769 00	SIDE PANEL, LEFT - AC46K
0014	SC722770 00	RIGHT SIDE PANEL
0015	SC702387 00	REAR PANEL
0017	SC721949 00	TOP PANEL
0018	SC650900 00	INSULATION
0018	SC660822 00	BIN COVER
0019	SC470030 52	SCREW
0020	SC660776 00	FRONT LINER
0021	SC721970 00	S.S.FRONT LINER
0022	SC660830 01	CORNER PROTECTION LEFT
0023	SC660830 00	CORNER PROTECTION RIGHT
0024	SC702402 00	FRONT BRACKET
0025	SC722766 00	FRONT PANEL A AC-46
0025	SC722766 01	FRONT PANEL - WATER VERSION
0026	SC650850 00	SCOTSMAN EMBLEM
0027	SC661121 00	PLASTIC PROTECTION
0028	SC660804 00	AIR FILTER SEAT
0029	SC660838 00	AIR FILTER SLIDING GUIDE
0030	SC660805 00	AIR FILTER
0031	SC660814 00	BIN DOOR
0032	SC660286 00	BUSHING
0033	SC661070 00	PLASTIC PROTECTION
0034	SC650382 01	LEG

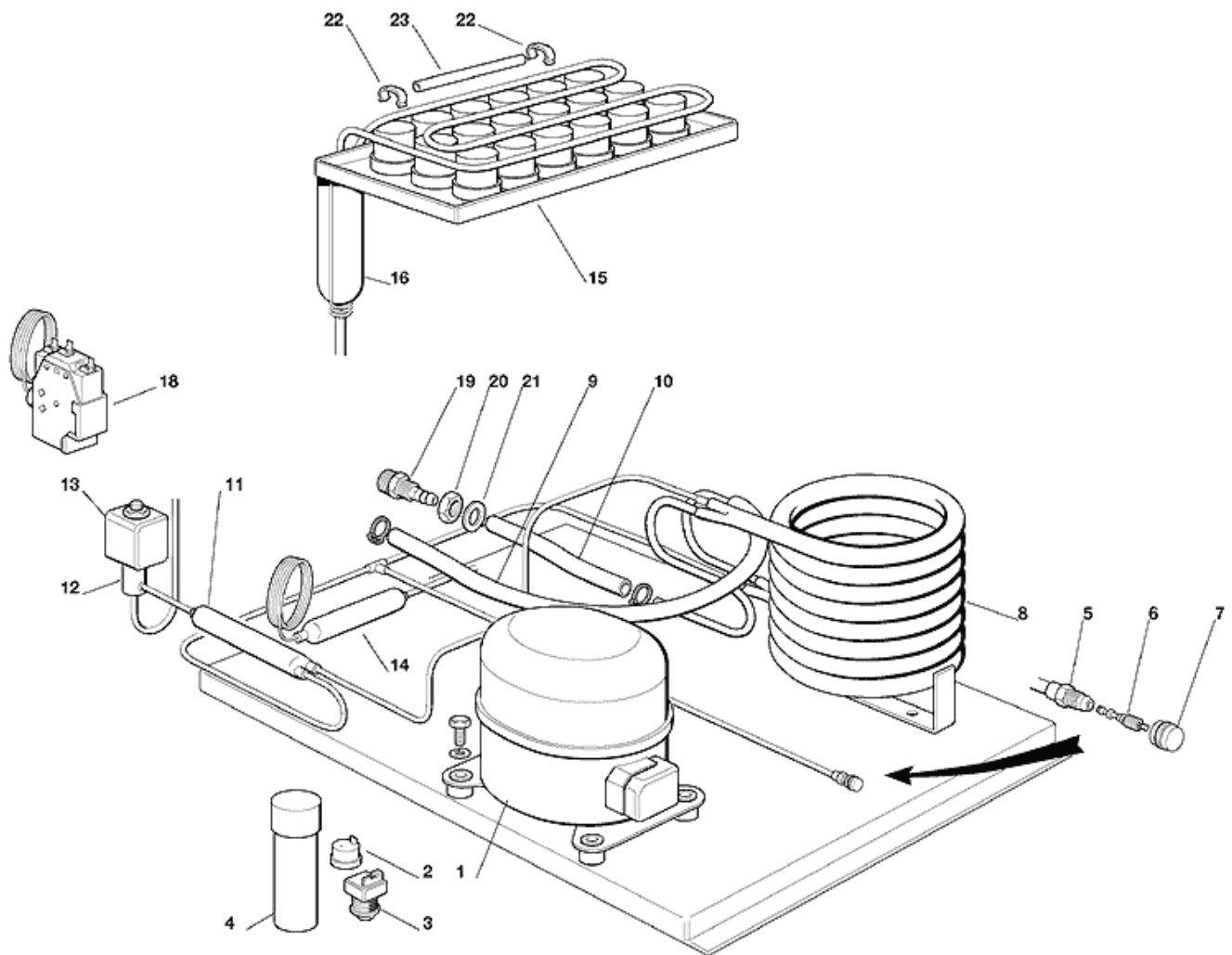


Pos	Code	Description
0001	SC670100 00	COMPRESSOR GL90TB 230/50
0001	SC670100 07	COMPRESSOR 230/60/1
0002	SCCUB 102661	START CAPACITOR
0003	SC620058 77	PROTECTOR - 8670442
0003	SCCUB 102314	PROTECTOR
0004	SC620057 42	RELAY - 8662664
0004	SCCUB 405175	RELAY
0005	SC650109 00	VALVE BODY
0006	SC670012 00	VALVE CORE
0007	SC650106 00	CAP
0008	SC620419 02	FAN MOTOR ATEX
0008	SC620419 03	FAN MOTOR ATEX
0008	SC620419 32	BLADE
0008	SC620419 61	BRACKET, MOTOR - USE SC620419 69
0009	SC620276 02	AIR COOLED CONDENSER
0011	SC630003 05	DRIER
0012	SC630137 00	FILTER
0013	SC620306 22	HOT GAS VALVE BODY
0013	SC620306 48	HOT GAS VALVE COIL
0014	SC784615 00	EVAPORATOR ASSY
0015	SC784632 00	ACCUMULATOR ASSY
0022	SC650475 02	METAL CLIP
0023	SC660465 00	PLUG
0023	SC741114 00R	BULB HOLDER

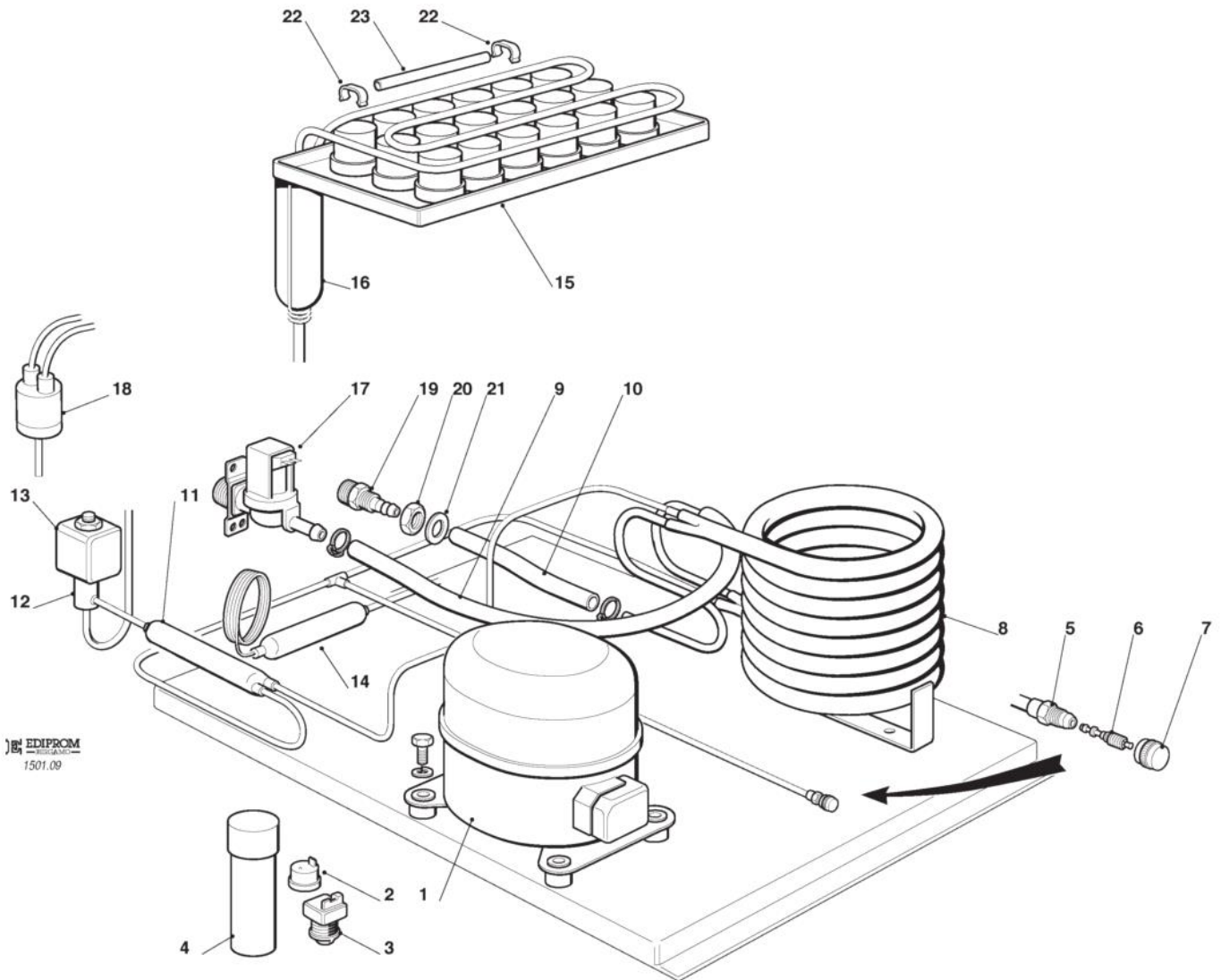


Pos	Code	Description
0001	SC670100 00	COMPRESSOR GL90TB 230/50
0001	SC670100 07	COMPRESSOR 230/60/1
0002	SCCUB 102661	START CAPACITOR
0003	SC620058 77	PROTECTOR - 8670442
0003	SC620478 05	PROTECTOR - 8570618
0004	SC620057 42	RELAY - 8662664
0004	SC620057 60	RELAY - 8662659
0005	SC650109 00	VALVE BODY
0006	SC670012 00	VALVE CORE
0007	SC650106 00	CAP
0008	SC620419 02	FAN MOTOR ATEX
0008	SC620419 03	FAN MOTOR ATEX
0008	SC620419 32	BLADE
0008	SC620419 61	BRACKET, MOTOR - USE SC620419 69
0009	SC620276 02	AIR COOLED CONDENSER
0011	SC630003 05	DRIER
0012	SC630137 00	FILTER
0013	SC620306 22	HOT GAS VALVE BODY
0013	SC620306 48	HOT GAS VALVE COIL
0014	SC784615 00	EVAPORATOR ASSY
0015	SC784632 00	ACCUMULATOR ASSY
0022	SC650475 02	METAL CLIP
0023	SC660465 00	PLUG
0023	SC741114 00R	BULB HOLDER

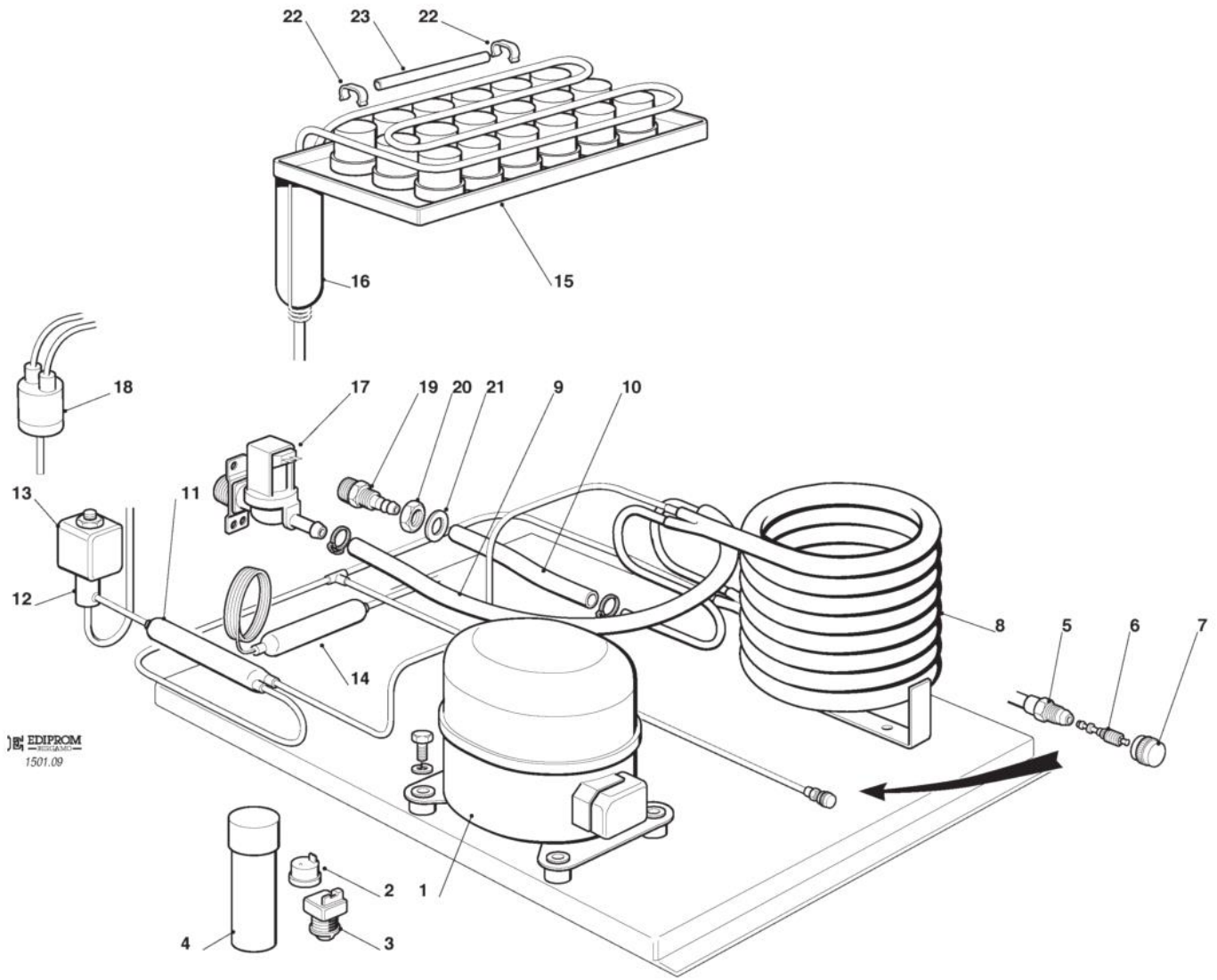
Pos	Code	Description
0001	SC670100 00	COMPRESSOR GL90TB 230/50
0001	SC670100 07	COMPRESSOR 230/60/1
0002	SCCUB 102661	START CAPACITOR
0003	SC620058 77	PROTECTOR - 8670442
0003	SC620478 11	PROTECTOR - 8570655
0004	SC620057 42	RELAY - 8662664
0004	SC620057 71	RELAY - 8562204
0005	SC650109 00	VALVE BODY
0006	SC670012 00	VALVE CORE
0007	SC650106 00	CAP
0008	SC620419 02	FAN MOTOR ATEX
0008	SC620419 03	FAN MOTOR ATEX
0008	SC620419 32	BLADE
0008	SC620419 61	BRACKET, MOTOR - USE SC620419 69
0009	SC620276 02	AIR COOLED CONDENSER
0011	SC630003 05	DRIER
0012	SC630137 00	FILTER
0013	SC620306 22	HOT GAS VALVE BODY
0013	SC620306 48	HOT GAS VALVE COIL
0014	SC784615 00	EVAPORATOR ASSY
0015	SC784632 00	ACCUMULATOR ASSY
0022	SC650475 02	METAL CLIP
0023	SC660465 00	PLUG
0023	SC741114 00R	BULB HOLDER



Pos	Code	Description
0001	SC670100 00	COMPRESSOR GL90TB 230/50
0001	SC670100 07	COMPRESSOR 230/60/1
0002	SC620058 77	PROTECTOR - 8670442
0002	SCCUB 102314	PROTECTOR
0003	SC620057 42	RELAY - 8662664
0003	SCCUB 405175	RELAY
0004	SCCUB 102661	START CAPACITOR
0005	SC650109 00	VALVE BODY
0006	SC670012 00	VALVE CORE
0007	SC650106 00	CAP
0008	SC620389 00	WATER COOLED CONDENSER
0009	SC281900 01	TUBE 16X10
0010	SC281900 01	TUBE 16X10
0011	SC630137 00	FILTER
0012	SC620306 22	HOT GAS VALVE BODY
0013	SC620306 48	HOT GAS VALVE COIL
0014	SC630003 05	DRIER
0015	SC784615 00	EVAPORATOR ASSY
0016	SC784632 00	ACCUMULATOR ASSY
0018	SC620075 00	PRESSOSTAT
0019	SC660291 00	TEE TUBE (D13)
0020	SC400030 01	NUT
0021	SC400031 00	WASHER
0022	SC650475 02	METAL CLIP
0023	SC660465 00	PLUG
0023	SC741114 00R	BULB HOLDER

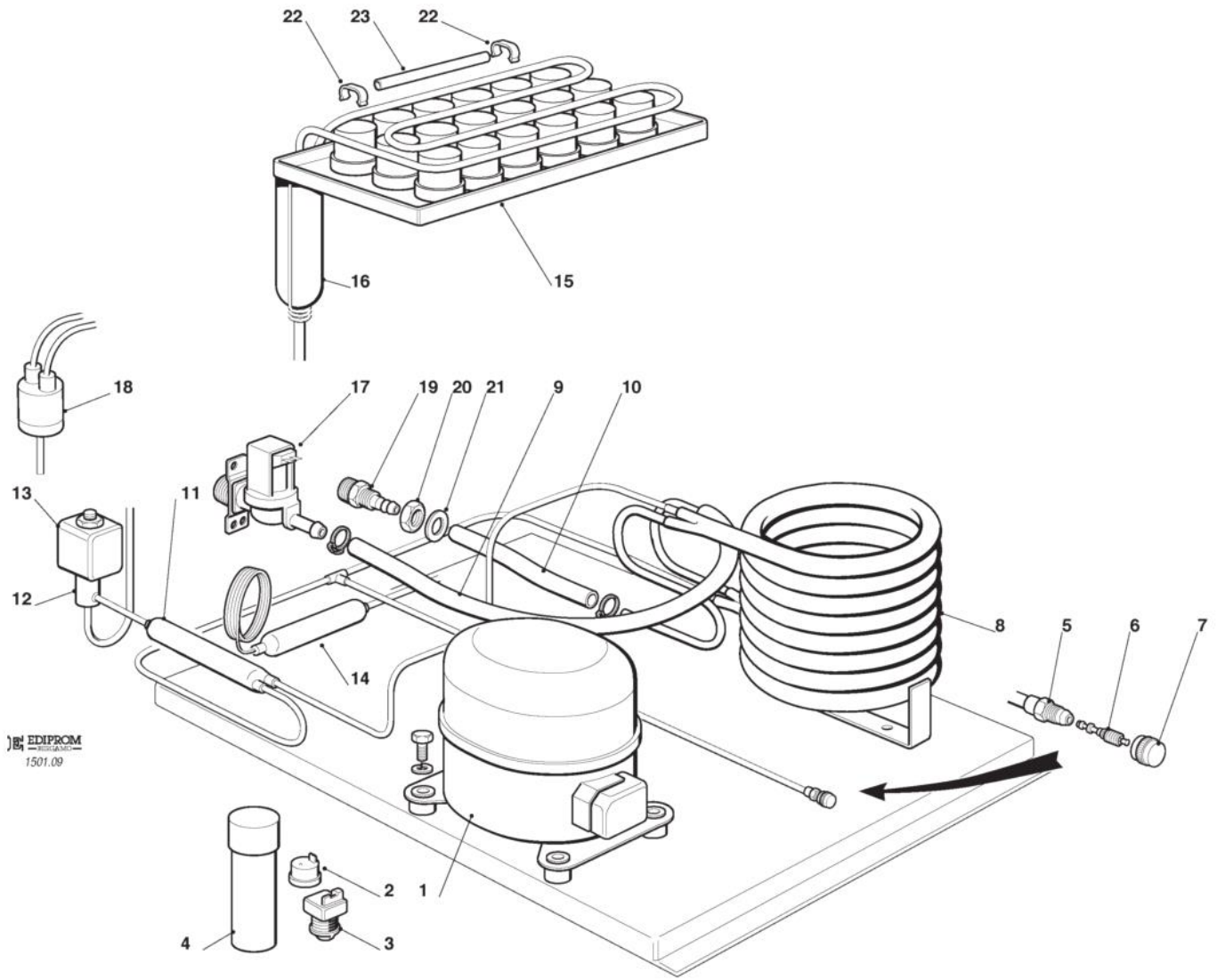


Pos	Code	Description
0001	SC670100 00	COMPRESSOR GL90TB 230/50
0001	SC670100 07	COMPRESSOR 230/60/1
0002	SC620058 77	PROTECTOR - 8670442
0002	SCCUB 102314	PROTECTOR
0003	SC620057 42	RELAY - 8662664
0003	SCCUB 405175	RELAY
0004	SCCUB 102661	START CAPACITOR
0005	SC650109 00	VALVE BODY
0006	SC670012 00	VALVE CORE
0007	SC650106 00	CAP
0008	SC620389 00	WATER COOLED CONDENSER
0009	SC281900 01	TUBE 16X10
0010	SC281900 01	TUBE 16X10
0011	SC630137 00	FILTER
0012	SC620306 22	HOT GAS VALVE BODY
0013	SC620306 48	HOT GAS VALVE COIL
0014	SC630003 05	DRIER
0015	SC784615 00	EVAPORATOR ASSY
0016	SC784632 00	ACCUMULATOR ASSY
0017	SC650105 74	WATER INLET VALVE
0018	SC620075 00	PRESSOSTAT
0019	SC660291 00	TEE TUBE (D13)
0020	SC400030 01	NUT
0021	SC400031 00	WASHER
0022	SC650475 02	METAL CLIP
0023	SC660465 00	PLUG
0023	SC741114 00R	BULB HOLDER

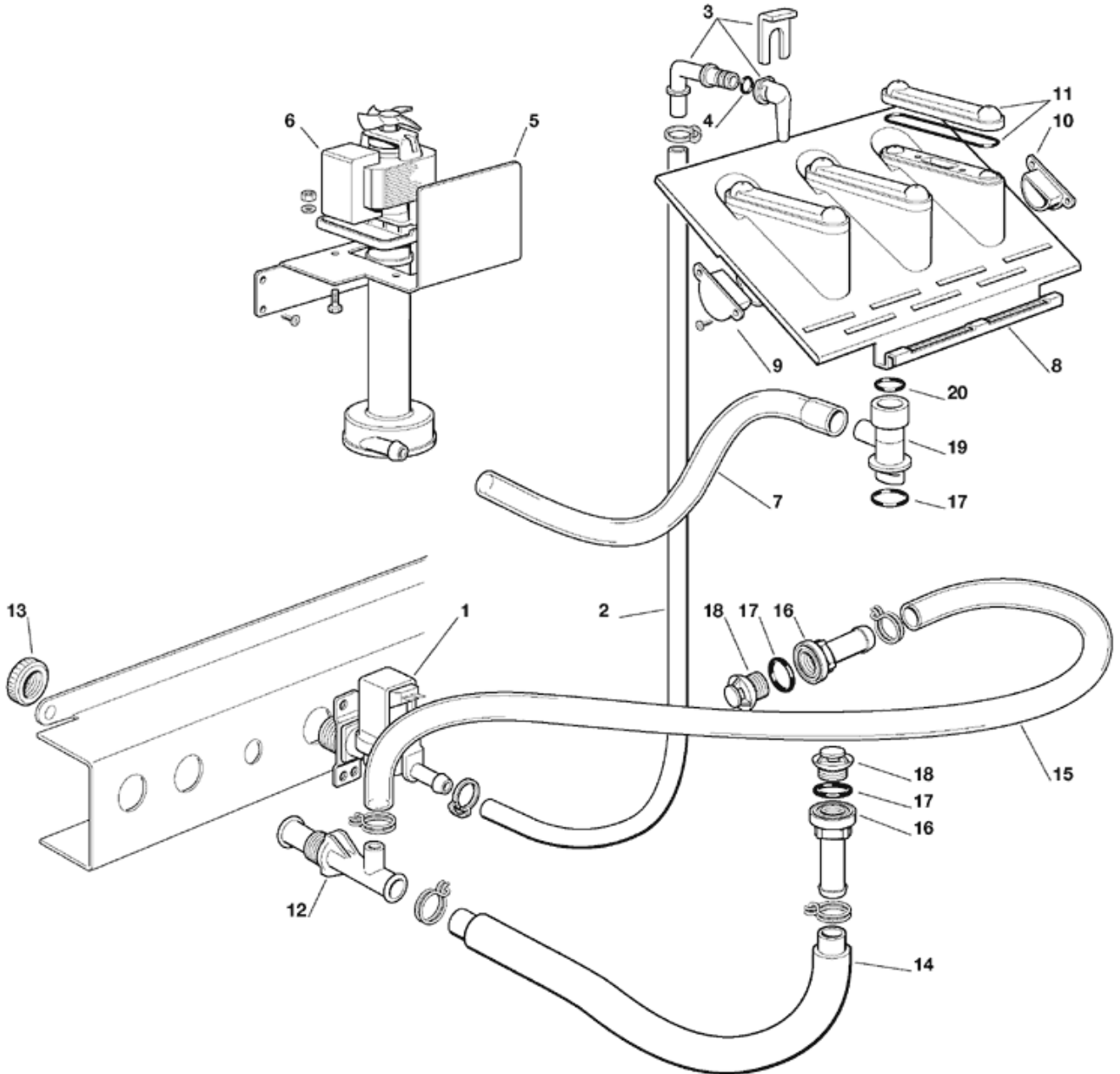


EDIPROM
1501.09

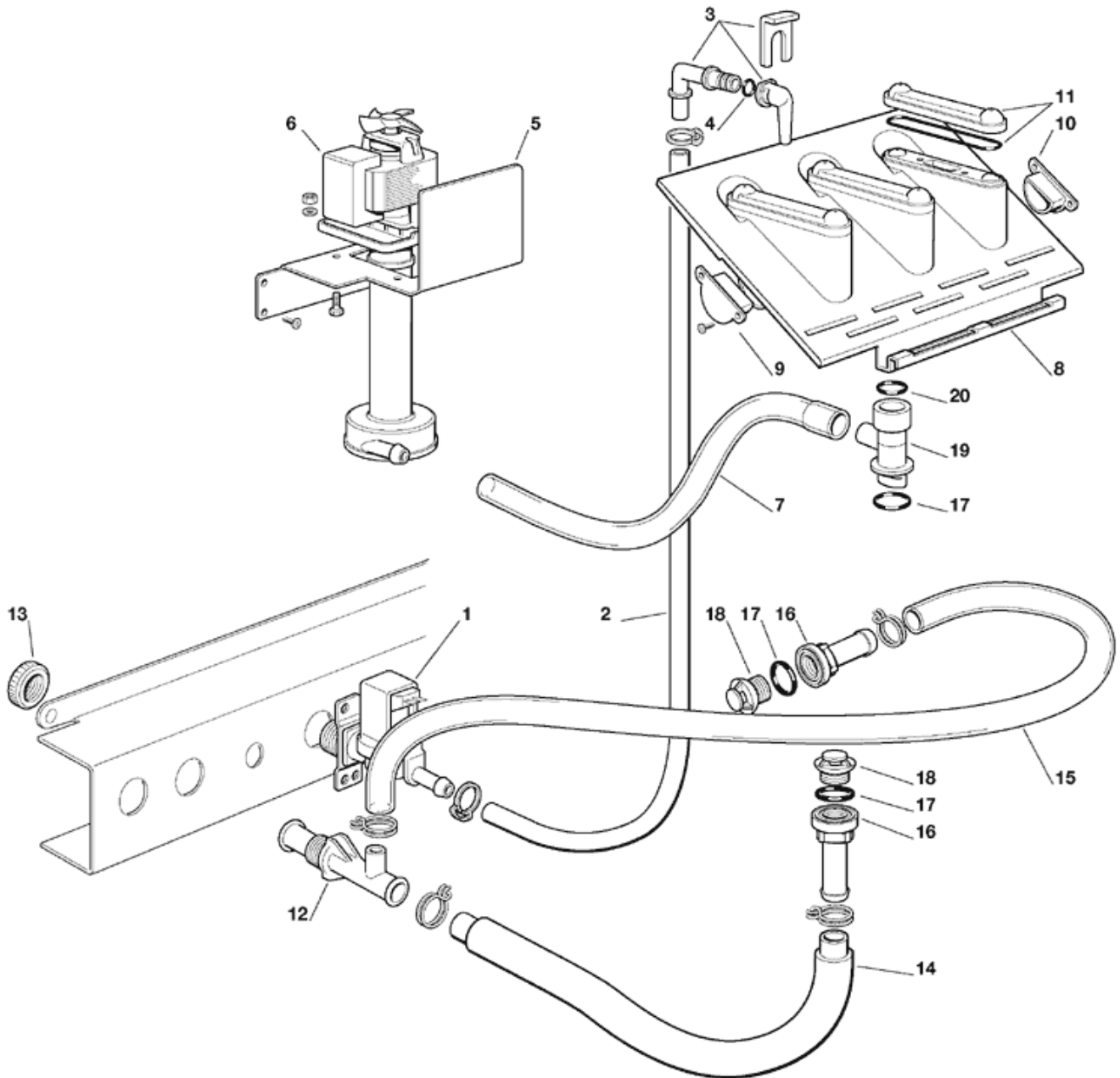
Pos	Code	Description
0001	SC670100 00	COMPRESSOR GL90TB 230/50
0001	SC670100 07	COMPRESSOR 230/60/1
0002	SC620058 77	PROTECTOR - 8670442
0002	SC620478 05	PROTECTOR - 8570618
0003	SC620057 42	RELAY - 8662664
0003	SC620057 60	RELAY - 8662659
0004	SCCUB 102661	START CAPACITOR
0005	SC650109 00	VALVE BODY
0006	SC670012 00	VALVE CORE
0007	SC650106 00	CAP
0008	SC620389 00	WATER COOLED CONDENSER
0009	SC281900 01	TUBE 16X10
0010	SC281900 01	TUBE 16X10
0011	SC630137 00	FILTER
0012	SC620306 22	HOT GAS VALVE BODY
0013	SC620306 48	HOT GAS VALVE COIL
0014	SC630003 05	DRIER
0015	SC784615 00	EVAPORATOR ASSY
0016	SC784632 00	ACCUMULATOR ASSY
0017	SC650105 74	WATER INLET VALVE
0018	SC620075 00	PRESSOSTAT
0019	SC660291 00	TEE TUBE (D13)
0020	SC400030 01	NUT
0021	SC400031 00	WASHER
0022	SC650475 02	METAL CLIP
0023	SC660465 00	PLUG
0023	SC741114 00R	BULB HOLDER



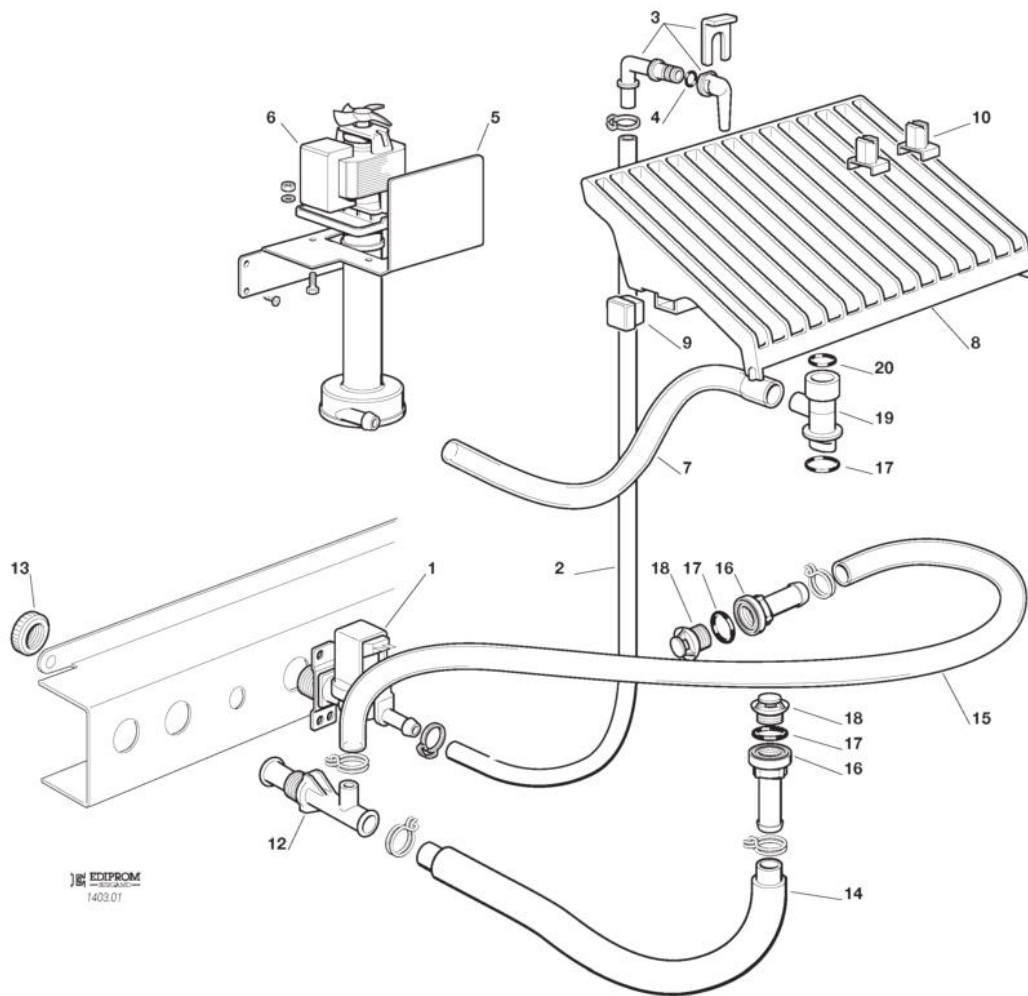
Pos	Code	Description
0001	SC670100 00	COMPRESSOR GL90TB 230/50
0001	SC670100 07	COMPRESSOR 230/60/1
0002	SC620058 77	PROTECTOR - 8670442
0002	SC620478 11	PROTECTOR - 8570655
0003	SC620057 42	RELAY - 8662664
0003	SC620057 71	RELAY - 8562204
0004	SCCUB 102661	START CAPACITOR
0005	SC650109 00	VALVE BODY
0006	SC670012 00	VALVE CORE
0007	SC650106 00	CAP
0008	SC620389 00	WATER COOLED CONDENSER
0009	SC281900 01	TUBE 16X10
0010	SC281900 01	TUBE 16X10
0011	SC630137 00	FILTER
0012	SC620306 22	HOT GAS VALVE BODY
0013	SC620306 48	HOT GAS VALVE COIL
0014	SC630003 05	DRIER
0015	SC784615 00	EVAPORATOR ASSY
0016	SC784632 00	ACCUMULATOR ASSY
0017	SC650105 74	WATER INLET VALVE
0018	SC620075 00	PRESSOSTAT
0019	SC660291 00	TEE TUBE (D13)
0020	SC400030 01	NUT
0021	SC400031 00	WASHER
0022	SC650475 02	METAL CLIP
0023	SC660465 00	PLUG
0023	SC741114 00R	BULB HOLDER



Pos	Code	Description
0001	SC650105 64	WATER INLET VALVE
0001	SC650105 70	WATER INLET VALVE
0002	SC281900 01	TUBE 16X10
0003	SC793172 00R	WATER INLET ASSY
0004	SC640041 31	O RING OR 2031 (WRAS-FDA)
0005	SC721986 00	PUMP BRACKET
0006	SC620423 01R	WATER PUMP ATEX
0006	SC620433 01	WATER PUMP 230V/60HZ/1PH
0007	SC610150 04	USE SC610150 08
0008	SC793129 09	USE SC793129 10
0009	SC660520 07	NO LONGER AVAILABLE
0010	SC660520 06	NO LONGER AVAILABLE
0011	SC060529 01	USE SC060529 00
0012	SC660224 00	TEE TUBE
0013	SC660535 00	PLASTIC NUT
0014	SC610148 10	TUBE
0015	SC610204 00	TUBE
0016	SC660219 01	BIN DRAIN
0017	SC640134 00	O RING
0018	SC660211 01	DRAIN FILTER
0019	SC660777 02	SPRAY PLATEN SEAT
0020	SC640041 32	O RING

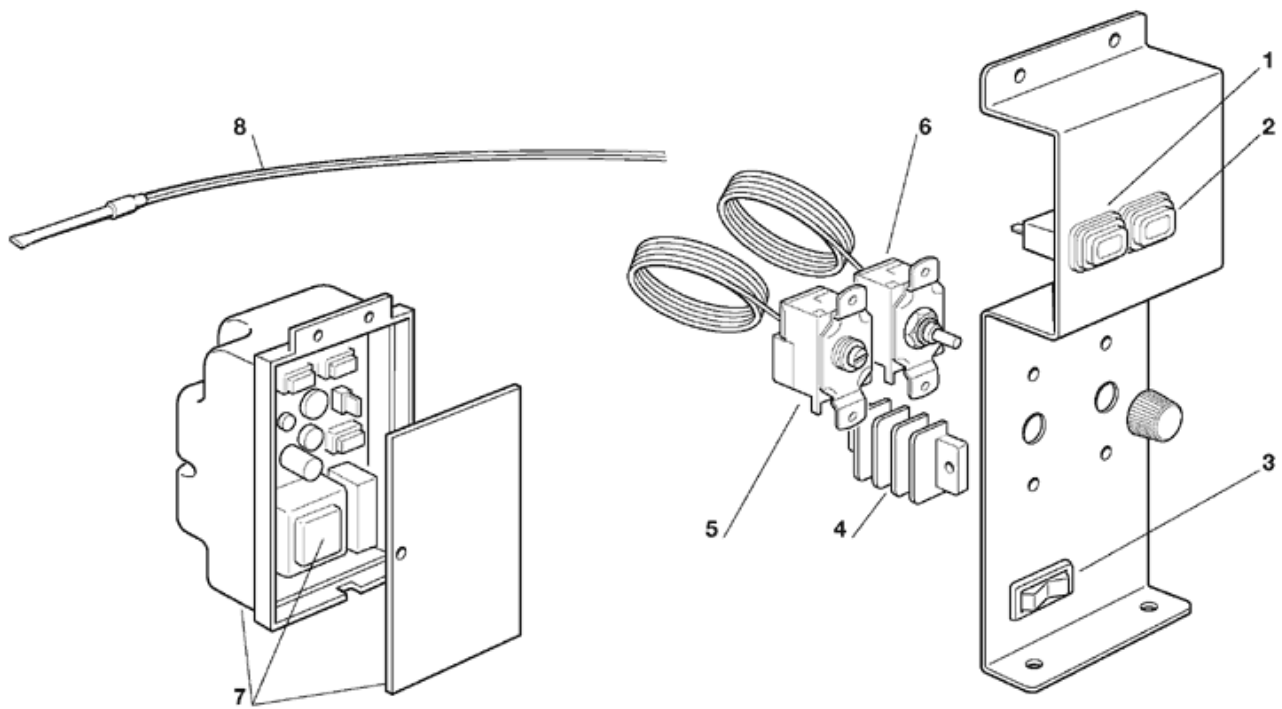


Pos	Code	Description
0001	SC650105 64	WATER INLET VALVE
0001	SC650105 74	WATER INLET VALVE
0002	SC281900 01	TUBE 16X10
0003	SC793172 00R	WATER INLET ASSY
0004	SC640041 31	O RING OR 2031 (WRAS-FDA)
0005	SC721986 00	PUMP BRACKET
0006	SC620423 01R	WATER PUMP ATEX
0006	SC620433 01	WATER PUMP 230V/60HZ/1PH
0007	SC610150 04	USE SC610150 08
0008	SC793129 09	USE SC793129 10
0009	SC660520 07	NO LONGER AVAILABLE
0010	SC660520 06	NO LONGER AVAILABLE
0011	SC060529 01	USE SC060529 00
0012	SC660224 00	TEE TUBE
0013	SC660535 00	PLASTIC NUT
0014	SC610148 10	TUBE
0015	SC610204 00	TUBE
0016	SC660219 01	BIN DRAIN
0017	SC640134 00	O RING
0018	SC660211 01	DRAIN FILTER
0019	SC660777 02	SPRAY PLATEN SEAT
0020	SC640041 32	O RING

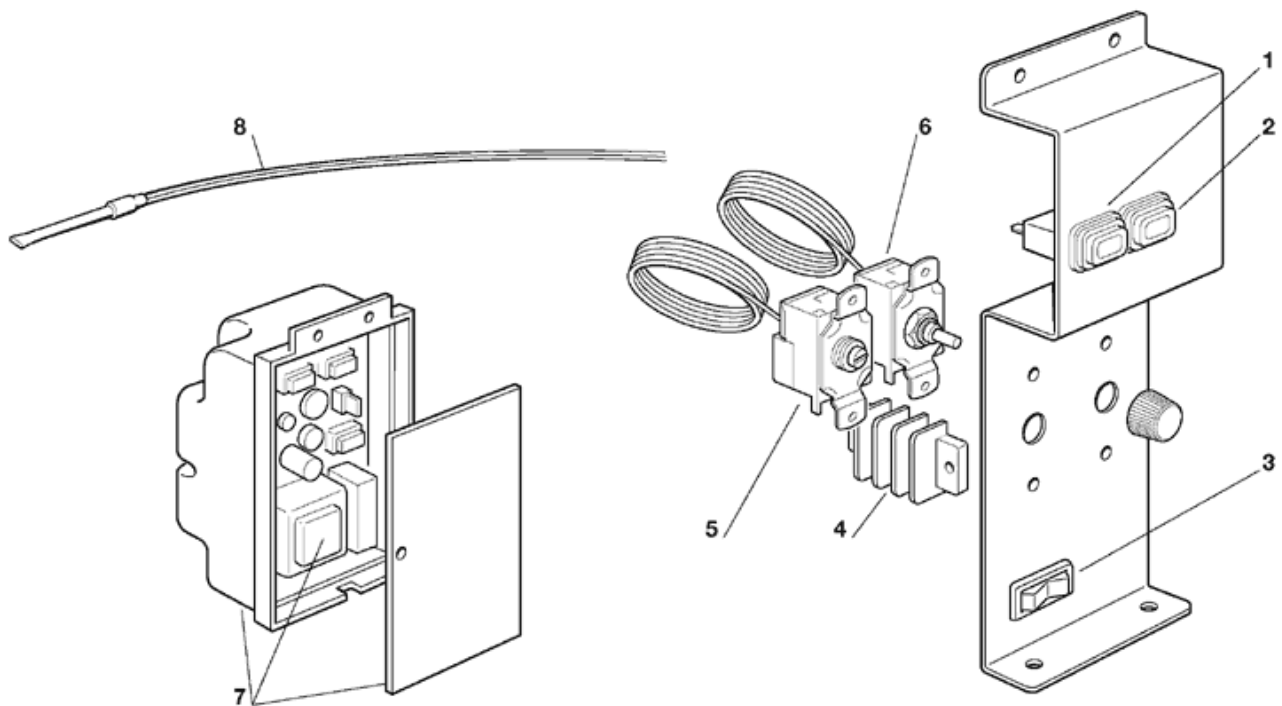


EDIPROM
1403.01

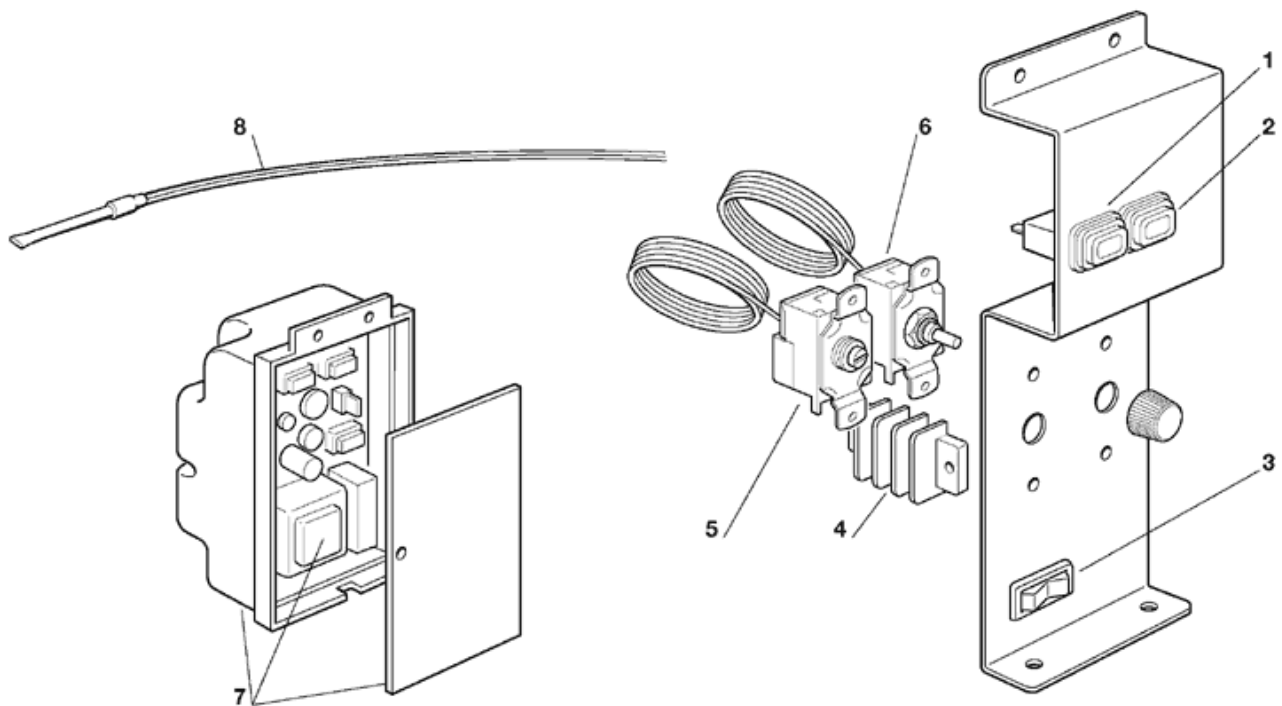
Pos	Code	Description
0001	SC650105 64	WATER INLET VALVE
0001	SC650105 74	WATER INLET VALVE
0002	SC281900 01	TUBE 16X10
0003	SC793172 00R	WATER INLET ASSY
0004	SC640041 31	O RING OR 2031 (WRAS-FDA)
0005	SC721986 00	PUMP BRACKET
0006	SC620423 01R	WATER PUMP ATEX
0006	SC620433 01	WATER PUMP 230V/60HZ/1PH
0007	SC610150 04	USE SC610150 08
0008	SC661082 00	SPRAY BAR & CHUTE
0009	SC660557 00	SPRAY CUP
0010	SC660558 00R	SPRAY NOZZLE (PACK OF 10 PCS)
0012	SC660224 00	TEE TUBE
0013	SC660535 00	PLASTIC NUT
0014	SC610148 10	TUBE
0015	SC610204 00	TUBE
0016	SC660219 01	BIN DRAIN
0017	SC640134 00	O RING
0018	SC660211 01	DRAIN FILTER
0019	SC660777 03	FITTING
0020	SC640041 32	O RING



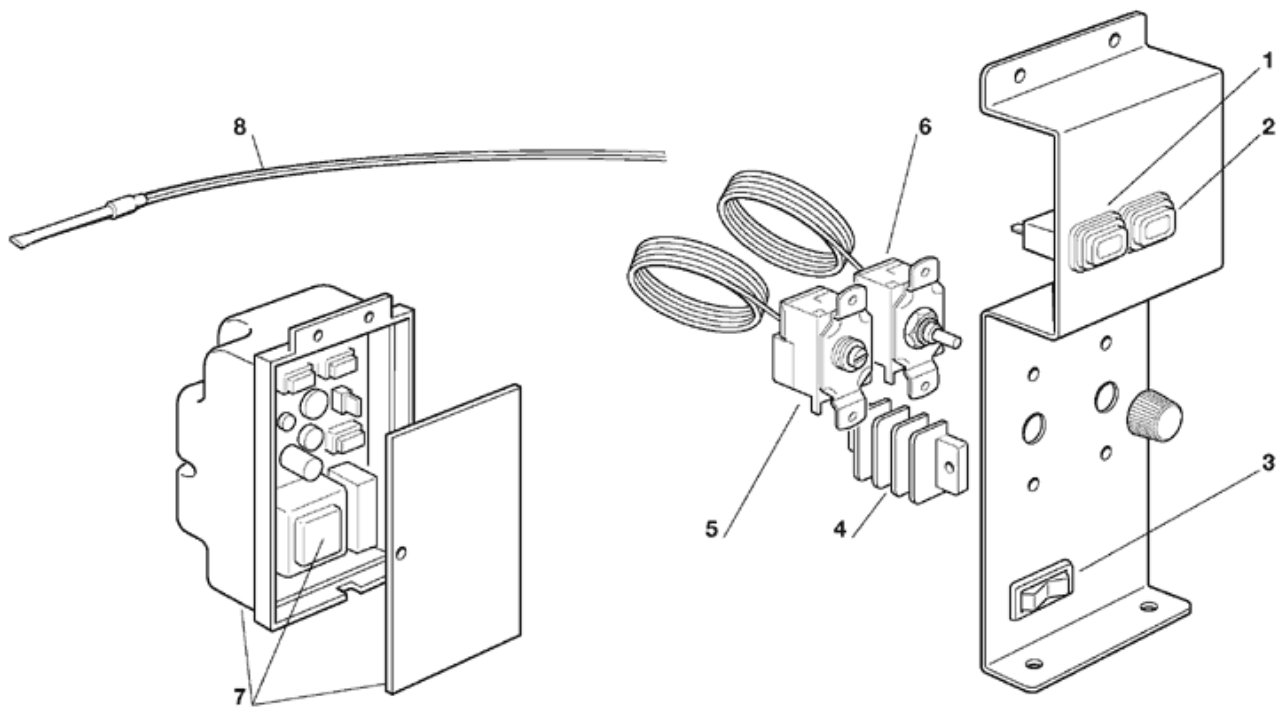
Pos	Code	Description
0001	SC060666 00	SWITCHES ASSY
0002	SC060666 00	SWITCHES ASSY
0003	SC620442 01	SWITCH
0004	SC630114 01	TERMINAL BOARD
0005	SC630005 00	BIN THERMOSTAT
0006	SC620264 06	KNOB
0006	SC620264 16	EVAPORATOR THERMOSTAT
0007	SC060711 30	PC BOARD KIT
0007	SC620489 01	THREE WIRES CABLE
0007	SC660712 00	CONTROL BOX
0007	SC660906 00	PLASTIC COVER
0008	SC620404 11	CONDENSER SENSOR



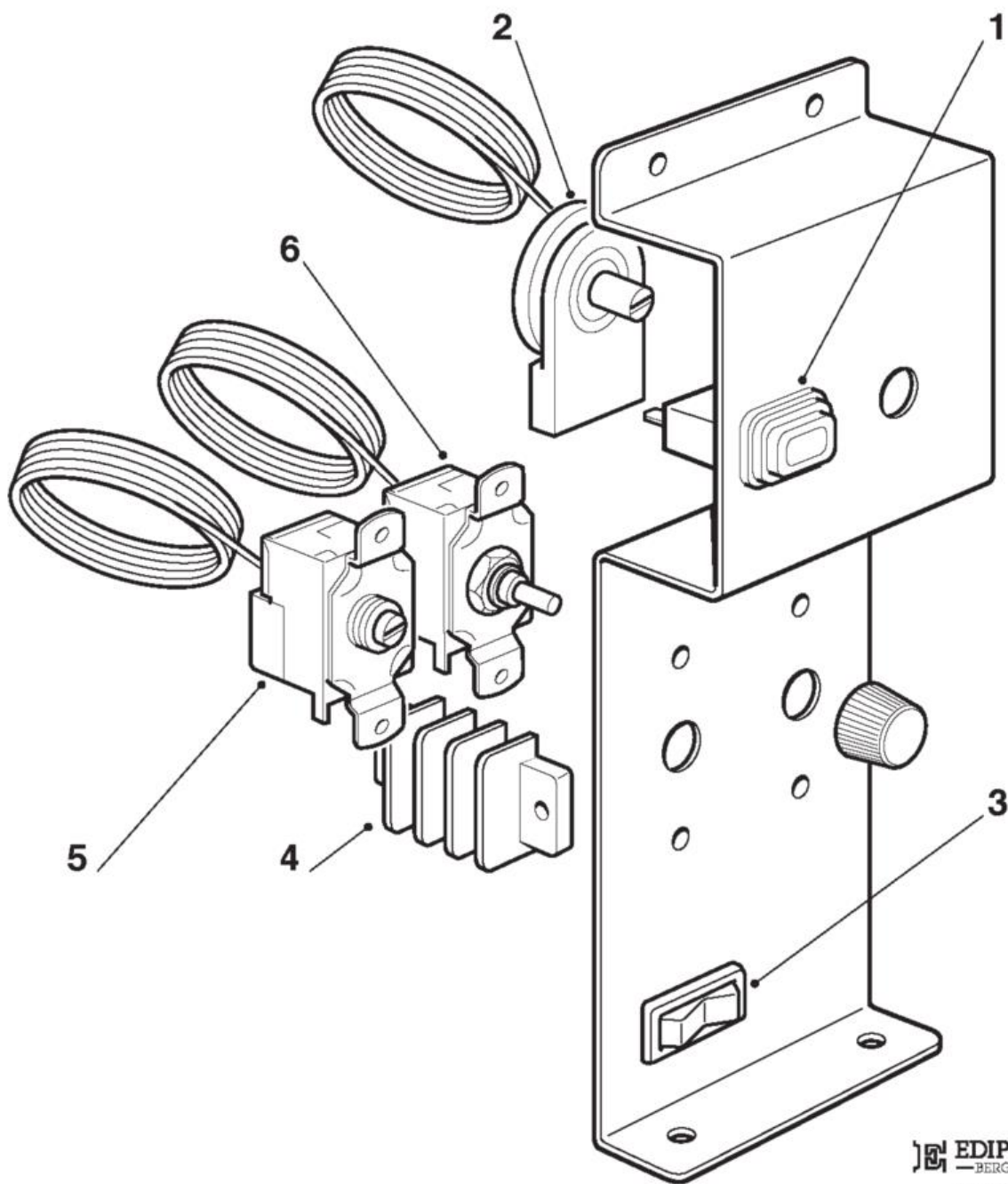
Pos	Code	Description
0001	SC620487 01	SWITCH
0001	SC620487 04	PLASTIC COVER
0001	SC620504 00	RED WARNING LIGHT
0002	SC620487 00	GREEN SWITCH
0002	SC620487 04	PLASTIC COVER
0003	SC620442 01	SWITCH
0004	SC630114 01	TERMINAL BOARD
0005	SC630005 00	BIN THERMOSTAT
0006	SC620264 06	KNOB
0006	SC620264 16	EVAPORATOR THERMOSTAT
0007	SC060711 30	PC BOARD KIT
0007	SC620489 01	THREE WIRES CABLE
0007	SC660712 00	CONTROL BOX
0007	SC660906 00	PLASTIC COVER
0008	SC620404 11	CONDENSER SENSOR



Pos	Code	Description
0001	SC620487 01	SWITCH
0002	SC620487 00	GREEN SWITCH
0003	SC620442 01	SWITCH
0004	SC630114 01	TERMINAL BOARD
0005	SC630005 00	BIN THERMOSTAT
0006	SC620264 06	KNOB
0006	SC620264 11	EVAPORATOR THERMOSTAT
0007	SC060711 30	PC BOARD KIT
0007	SC620489 01	THREE WIRES CABLE
0007	SC660712 00	CONTROL BOX
0007	SC660906 00	PLASTIC COVER
0008	SC620404 11	CONDENSER SENSOR



Pos	Code	Description
0001	SC620487 01	SWITCH
0002	SC620487 00	GREEN SWITCH
0003	SC620442 01	SWITCH
0004	SC630114 01	TERMINAL BOARD
0005	SC630005 00	BIN THERMOSTAT
0006	SC620264 06	KNOB
0006	SC620264 11	EVAPORATOR THERMOSTAT
0007	SC620489 01	THREE WIRES CABLE
0007	SC620489 03	PC BOARD
0007	SC660712 00	CONTROL BOX
0007	SC660906 00	PLASTIC COVER
0008	SC620519 04	CONDENSER SENSOR NTC



 **EDIPROM**
—BERGAMO—
1501.03

Pos	Code	Description
0001	SC620487 00	GREEN SWITCH
0002	SC620599 00	SAFETY THERMOSTAT
0003	SC620442 01	SWITCH
0004	SC630114 01	TERMINAL BOARD
0005	SC630005 00	BIN THERMOSTAT
0006	SC620264 06	KNOB
0006	SC620264 11	EVAPORATOR THERMOSTAT