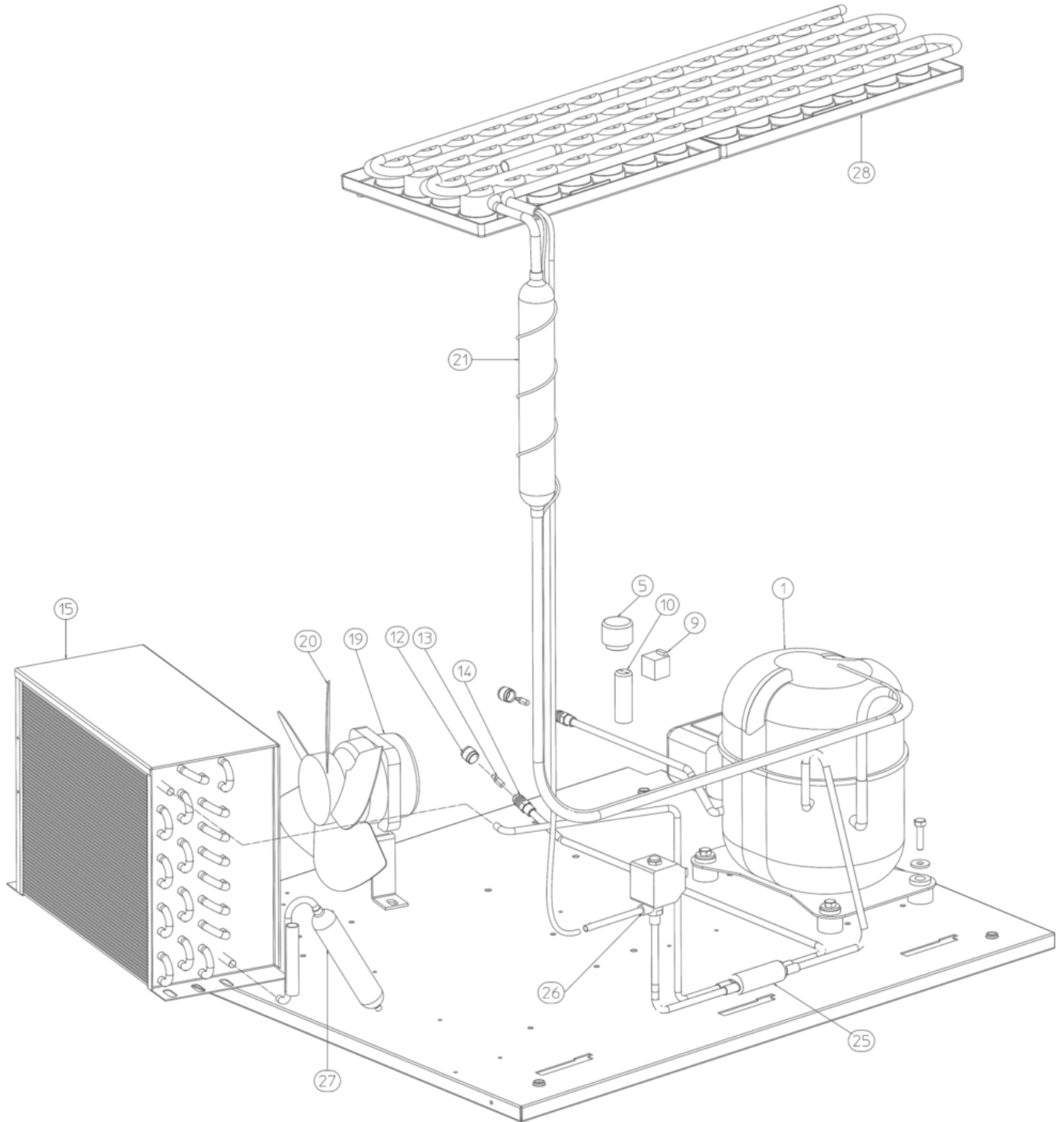
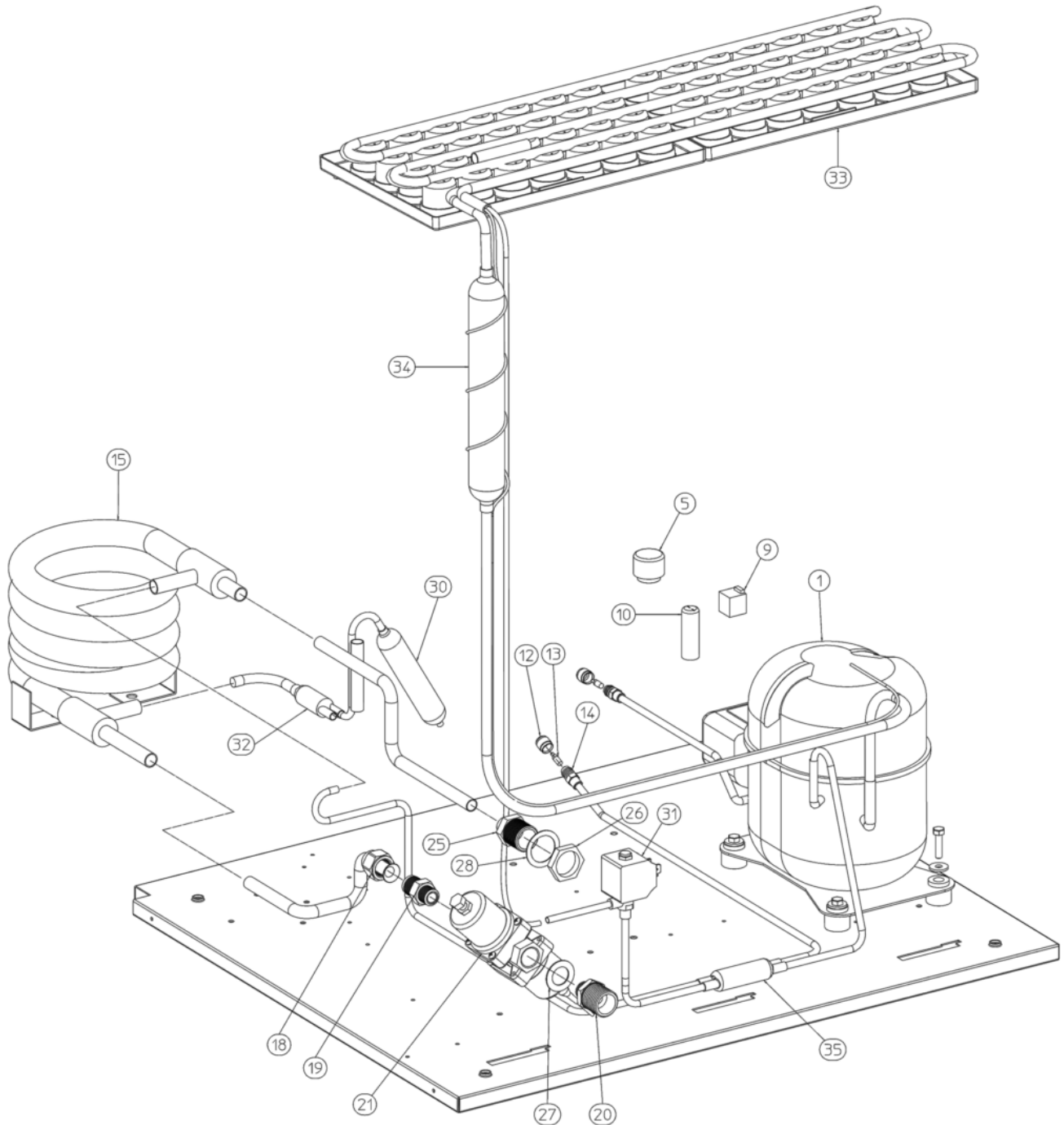


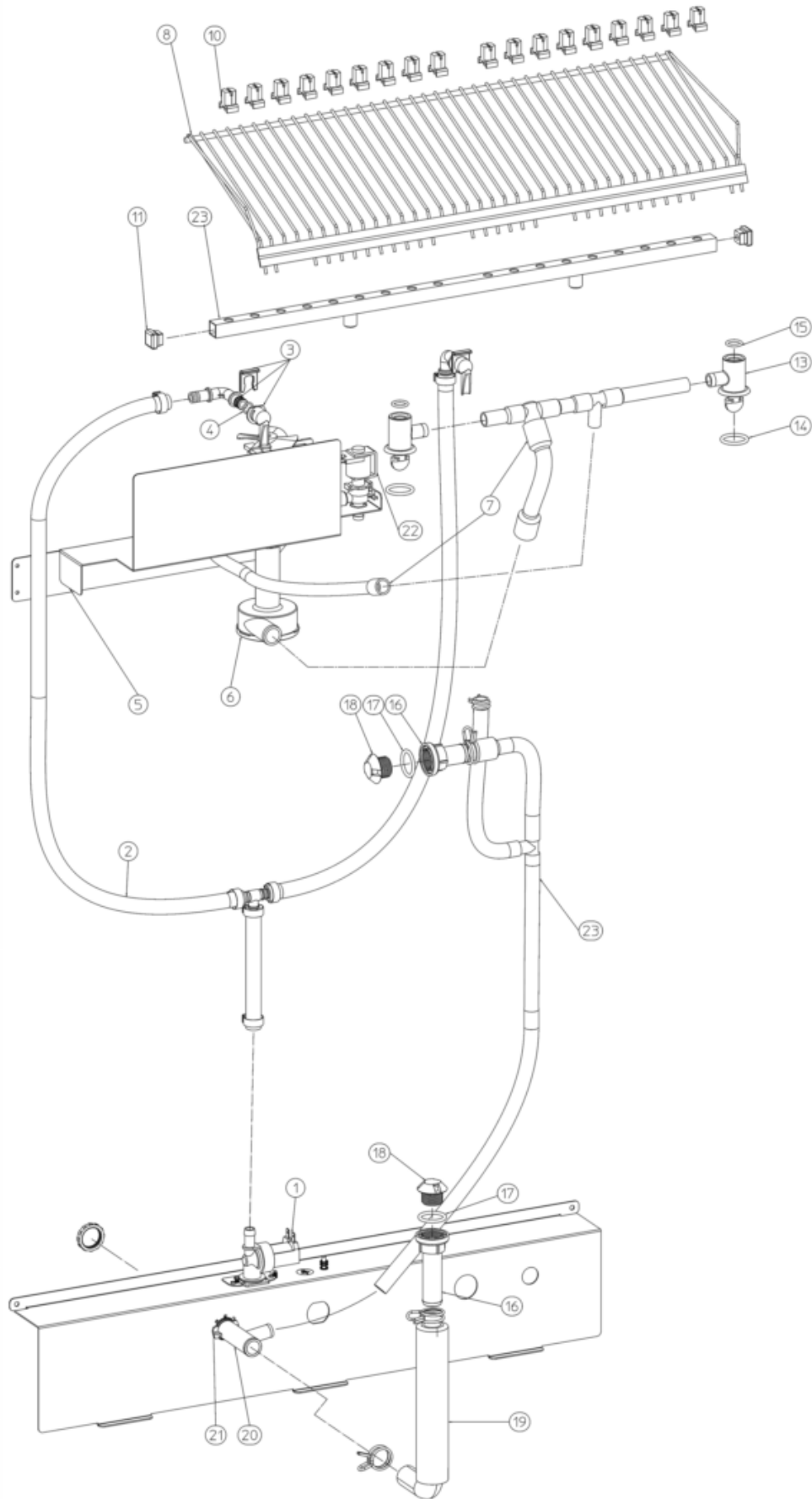
Pos	Code	Description
0004	SC660784 01	LEFT SIDE TRACK
0005	SC660784 00	RIGHT SIDE TRACK
0006	SC660388 00	CURTAIN BRACKET (LEFT)
0007	SC784457 09R	CURTAIN ASSY
0007	SC784457 12R	CURTAIN ASSY SMALL CUBE
0008	SC660388 01	CURTAIN BRACKET (RIGHT)
0009	SC660741 00	PLASTIC PLUG
0010	SC460047 00	SPRING
0011	SC660816 00	SHOCK ABSORBER
0012	SC660832 00	LEFT SIDE DOOR FRAME
0013	SC660832 01	RIGHT SIDE DOOR FRAME
0014	SC660785 01	UPPER DOOR FRAME
0015	SC660833 01	BOTTOM DOOR FRAME
0016	SC722882 00	LEFT SIDE PANEL
0017	SC722881 00	RIGHT SIDE PANEL
0018	SC702810 00	REAR PANEL
0019	SC702821 00	FITTING BRACKET
0021	SC781454 02R	TOP PANEL - AC 126-176
0024	SC721938 01	S.S.FRONT LINER
0025	SC660387 07	OVERFLOW
0027	SC650850 00	SCOTSMAN EMBLEM
0028	SC722810 00	FRONT PANEL AC 176
0028	SC722810 01	FRONT PANEL - WATER
0029	SC650850 00	SCOTSMAN EMBLEM
0030	SC660829 00	FRONT SWITCH PLASTIC PROT
0031	SC660804 02	AIR FILTER SEAT
0032	SC660817 00	SLIDE AIR FILTER
0033	SC660805 02	AIR FILTER
0034	SC650624 07	LABEL
0035	SC660786 01	BIN DOOR
0036	SC660286 00	BUSHING
0039	SC651469 00	LEG
0040	SC661070 00	PLASTIC PROTECTION
0041	SC660839 05	EVAPORATOR CASE WITH INSERT AC-126/176
0041	SC742033 06	EVAPORATOR COVER
0042	SC781587 24	ASSY BASE. WITH INS. FIL.



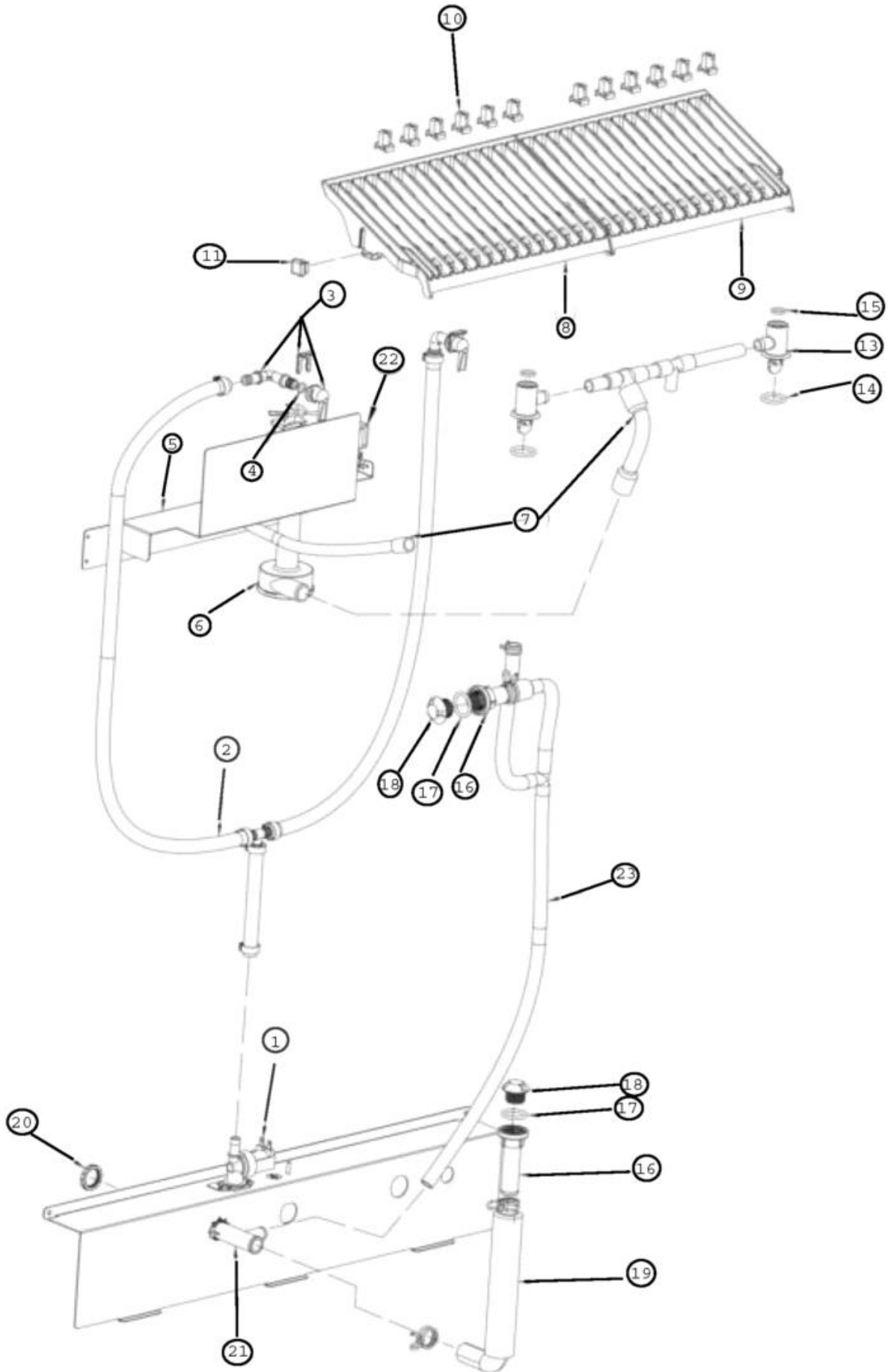
Pos	Code	Description
0001	SC670100 22	COMPRESSOR GX23TB 220-240/50/1
0001	SC670100 25	COMPRESSOR GX23TG 230/50-60/1
0005	SCCUB 405181	RELAY - 230/50/1
0005	SCCUB 405182	RELAY
0009	SCCUB 101405	PROTECTOR - 230/50/1
0009	SCCUB 102204	PROTECTOR
0010	SCCUB 102665	START CAPACITOR - 230/50/1 (#)
0012	SC650106 00	CAP
0013	SC670012 00	VALVE CORE
0014	SC650109 00	VALVE BODY
0015	SC620551 00	CONDENSER, AIR
0019	SC620419 04	FAN MOTOR ATEX
0020	SC620419 32	BLADE
0021	SC784632 26	SUCTION LINE AC-176 M R134a
0025	SC630137 01	MECHANICAL FILTER
0026	SC620306 27	HOT GAS VALVE BODY
0026	SC620306 48	HOT GAS VALVE COIL
0027	SC630003 03	FILTER
0028	SC784263 13	EVAPORATOR ASSY LARGE
0028	SC784767 00	EVAPORATOR ASSY
0028	SC784768 00	EVAPORATOR ASSY- SMALL CUBES



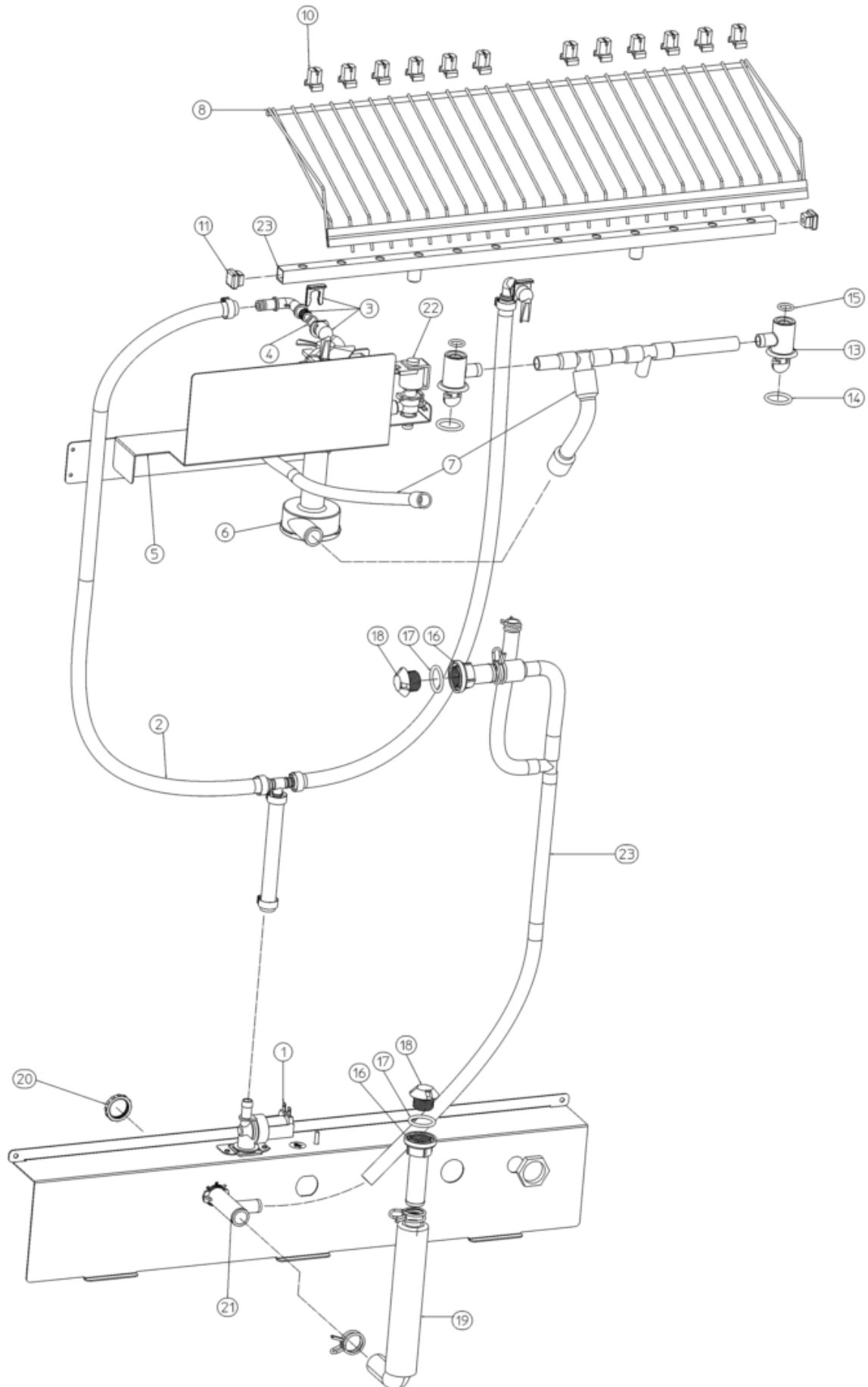
Pos	Code	Description
0001	SC670100 22	COMPRESSOR GX23TB 220-240/50/1
0001	SC670100 25	COMPRESSOR GX23TG 230/50-60/1
0005	SCCUB 405181	RELAY - 230/50/1
0005	SCCUB 405182	RELAY
0009	SCCUB 101405	PROTECTOR - 230/50/1
0009	SCCUB 102204	PROTECTOR
0010	SCCUB 102665	START CAPACITOR - 230/50/1 (#)
0012	SC650106 00	CAP
0013	SC670012 00	VALVE CORE
0014	SC650109 00	VALVE BODY
0015	SC620495 02	WATER COOLED CONDENSER
0018	SC400085 02	FITTING 1/2
0019	SC733208 02	COUPLING
0020	SC733204 00	WATER INLET FITTING
0021	SC620111 00	WATER REGUL. VALVE
0025	SC733205 04	WATER INLET FITTING
0026	SC400053 00	NUT
0027	SC400031 01	WASHER
0028	SC400052 00	WASHER
0030	SC630003 03	FILTER
0031	SC620306 27	HOT GAS VALVE BODY
0031	SC620306 48	HOT GAS VALVE COIL
0032	SC630020 02	MECHANICAL FILTER
0033	SC784263 13	EVAPORATOR ASSY LARGE
0033	SC784767 00	EVAPORATOR ASSY
0033	SC784768 00	EVAPORATOR ASSY- SMALL CUBES
0034	SC784632 26	SUCTION LINE AC-176 M R134a
0035	SC630137 01	MECHANICAL FILTER



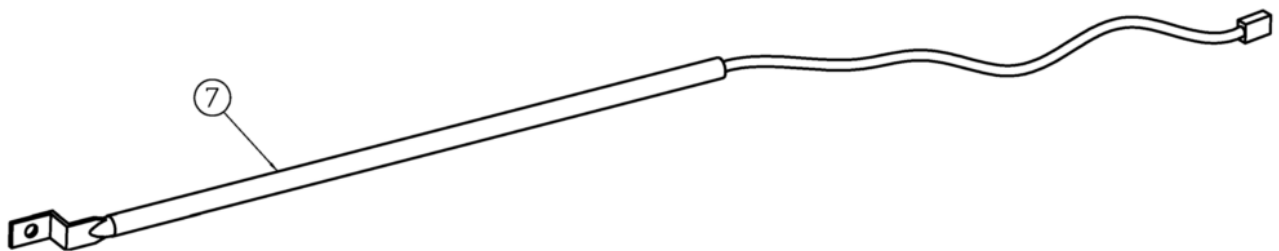
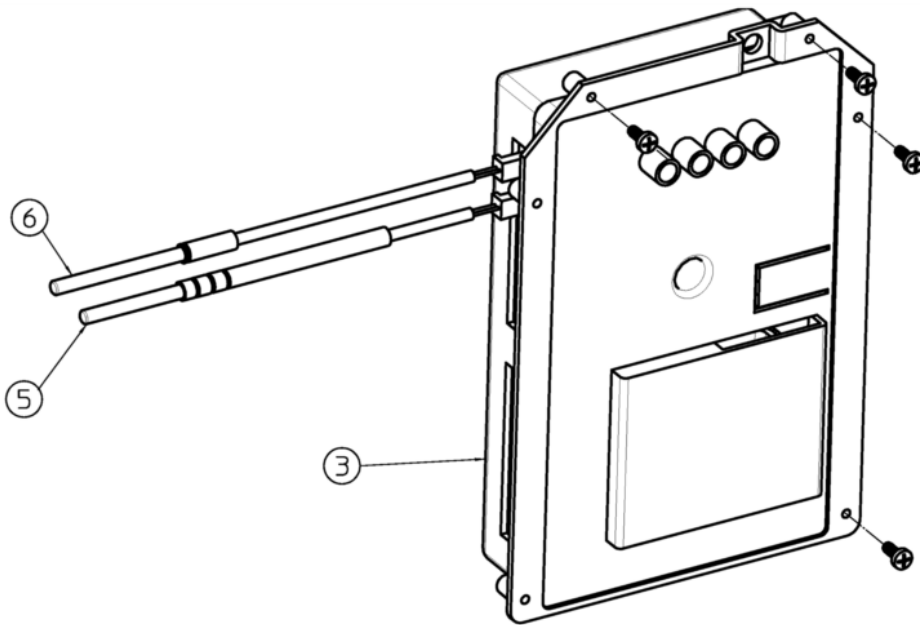
Pos	Code	Description
0001	SC650105 52	WATER INLET VALVE
0001	SC650105 55	WATER INLET VALVE 115/60/1 (03 23)
0002	SC281900 01	TUBE 16X10
0003	SC793172 00R	WATER INLET ASSY
0004	SC640041 31	O RING OR 2031 (WRAS-FDA)
0005	SC724415 00	PUMP BRACKET
0006	SC620430 10R	WATER PUMP 220/50 ATEX
0007	SC610206 00	TUBE
0008	SC650684 02	GRID
0010	SC660558 00R	SPRAY NOZZLE (PACK OF 10 PCS)
0011	SC660557 00	SPRAY CUP
0014	SC640134 00	O RING
0015	SC640041 32	O RING
0016	SC660219 01	BIN DRAIN
0017	SC640134 00	O RING
0018	SC660211 01	DRAIN FILTER
0019	SC610148 20	USE SC610148 10
0020	SC660535 00	PLASTIC NUT
0021	SC660224 00	TEE TUBE
0022	SC620460 00	WATER DRAIN VALVE
0023	SC650665 42	TUBO SPRUZZATORE BIS-8040



Pos	Code	Description
0001	SC650105 52	WATER INLET VALVE
0001	SC650105 55	WATER INLET VALVE 115/60/1 (03 23)
0002	SC281900 01	TUBE 16X10
0003	SC793172 00R	WATER INLET ASSY
0004	SC640041 31	O RING OR 2031 (WRAS-FDA)
0005	SC724415 00	PUMP BRACKET
0006	SC620430 10R	WATER PUMP 220/50 ATEX
0007	SC610206 00	TUBE
0008	SC661082 03	SPRAY BAR & CHUTE - LT
0009	SC661082 04	SPRAY BAR & CHUTE - RT
0010	SC660558 00R	SPRAY NOZZLE (PACK OF 10 PCS)
0011	SC660557 00	SPRAY CUP
0013	SC660777 03	FITTING
0014	SC640134 00	O RING
0015	SC640041 32	O RING
0016	SC660219 01	BIN DRAIN
0017	SC640134 00	O RING
0018	SC660211 01	DRAIN FILTER
0019	SC610148 20	USE SC610148 10
0020	SC660535 00	PLASTIC NUT
0021	SC660224 00	TEE TUBE
0022	SC620460 00	WATER DRAIN VALVE
0023	SC620460 00	WATER DRAIN VALVE



Pos	Code	Description
0001	SC650105 52	WATER INLET VALVE
0001	SC650105 55	WATER INLET VALVE 115/60/1 (03 23)
0002	SC281900 01	TUBE 16X10
0003	SC793172 00R	WATER INLET ASSY
0004	SC640041 31	O RING OR 2031 (WRAS-FDA)
0005	SC724415 00	PUMP BRACKET
0006	SC620430 10R	WATER PUMP 220/50 ATEX
0007	SC610206 00	TUBE
0008	SC650684 01	CHUTE
0010	SC660558 00R	SPRAY NOZZLE (PACK OF 10 PCS)
0011	SC660557 00	SPRAY CUP
0013	SC660777 03	FITTING
0014	SC640134 00	O RING
0015	SC640041 32	O RING
0016	SC660219 01	BIN DRAIN
0017	SC640134 00	O RING
0018	SC660211 01	DRAIN FILTER
0019	SC610148 20	USE SC610148 10
0020	SC660535 00	PLASTIC NUT
0021	SC660224 00	TEE TUBE
0022	SC620460 00	WATER DRAIN VALVE
0023	SC650665 41	TUBO SPRUZZATORE BIL-840



Pos	Code	Description
0003	SC620462 24	PC BOARD 230V INNOTECH ATEX
0005	SC620519 04	CONDENSER SENSOR NTC
0006	SC620519 01	EVAPORATOR SENSOR NTC
0007	SC620565 01	BIN LEVEL CTRL