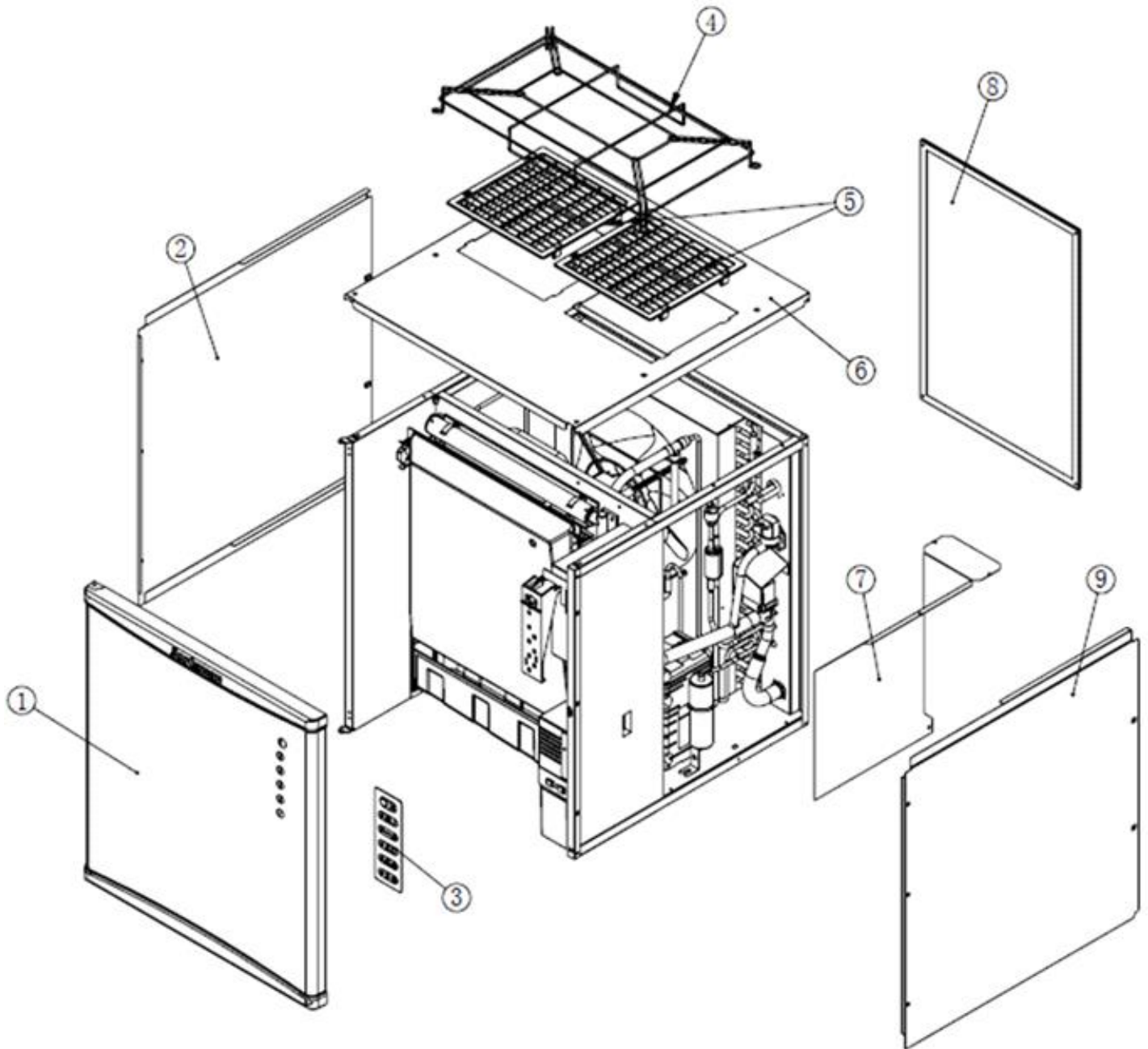
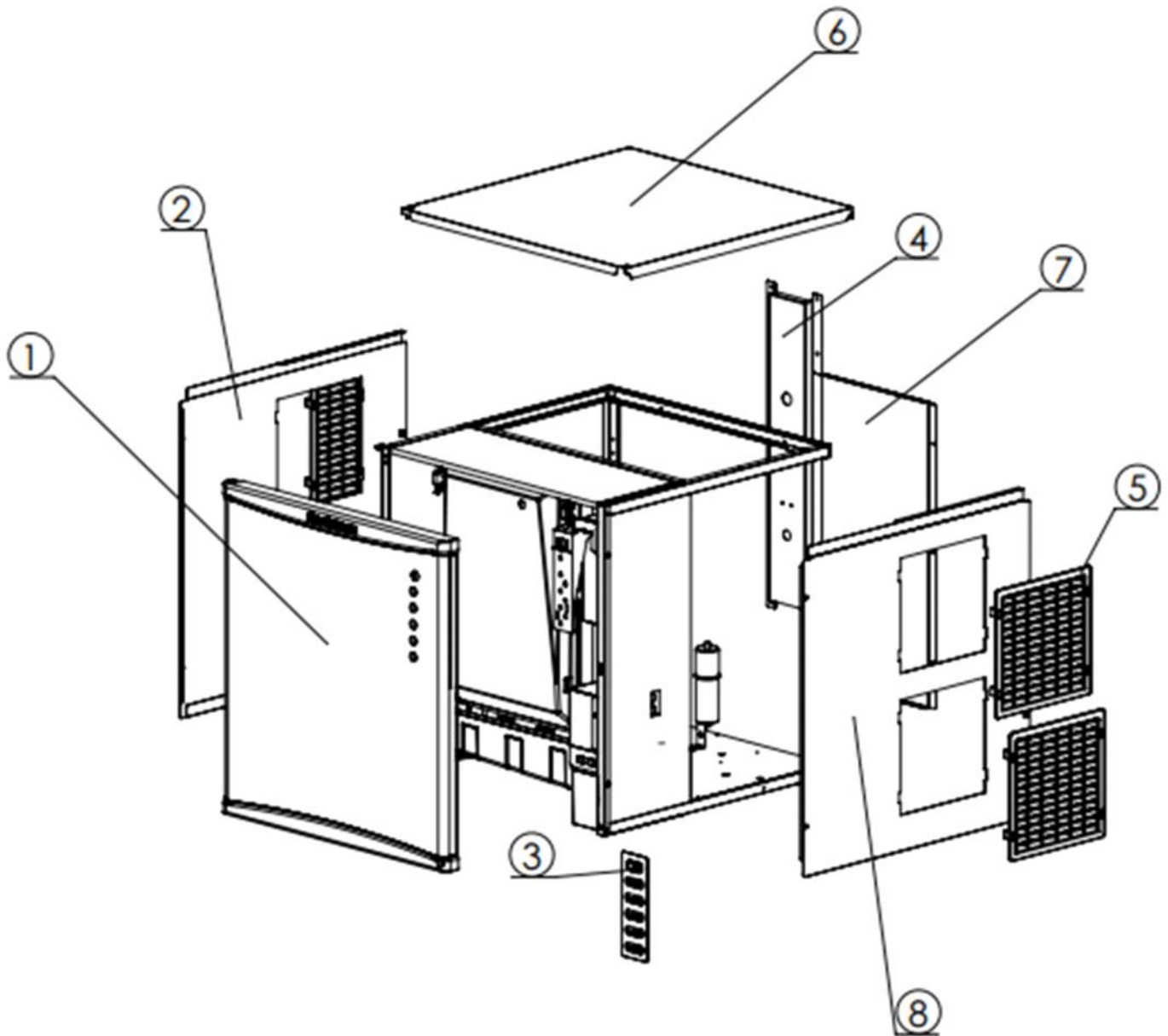


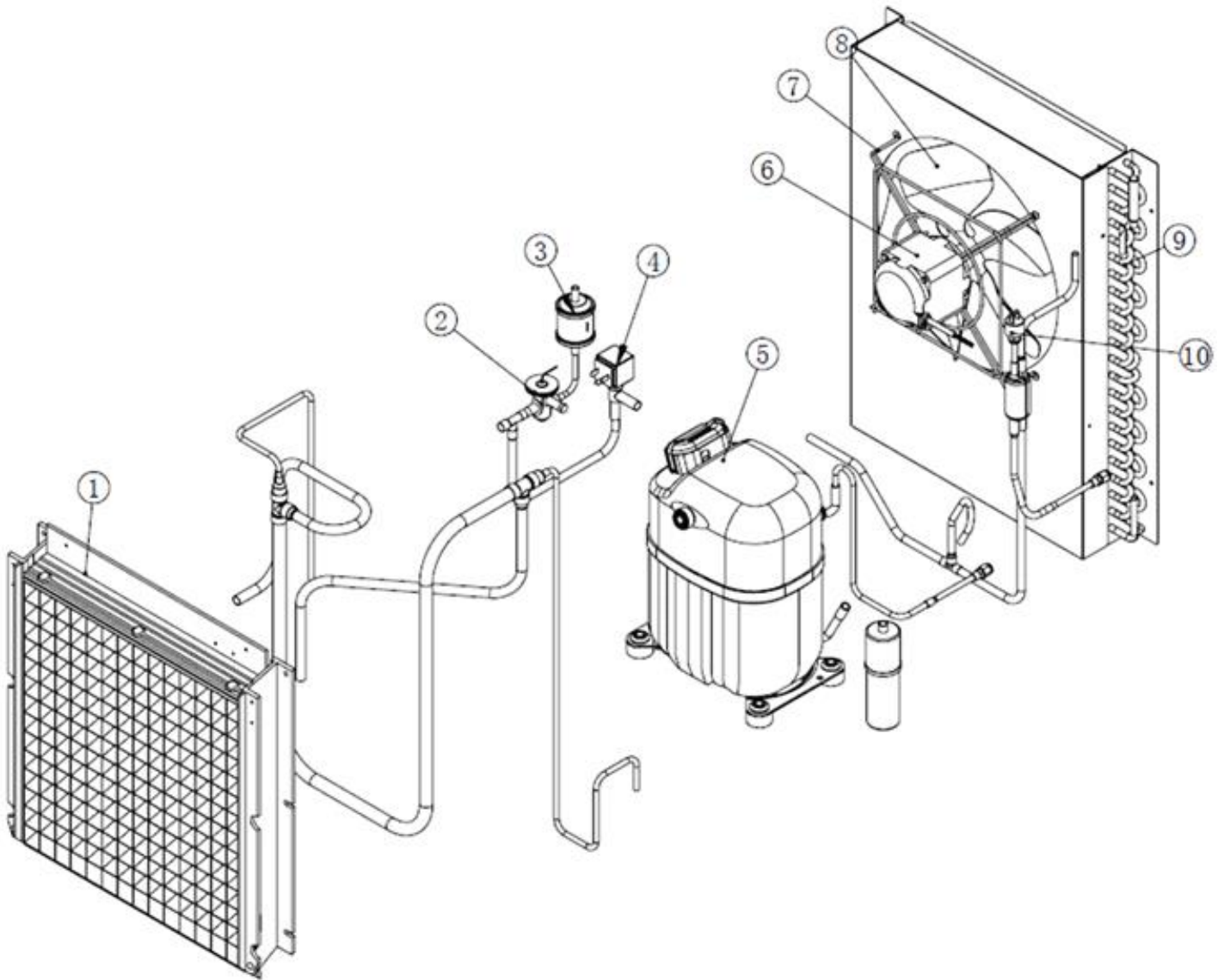
Pos	Code	Description
0001	SCSC 91000014-10	FRONT PANEL
0001	SCSC 97000184-00	FRONT PANEL HINGE KIT 308/508
0002	SCSC 11000111-00	LEFT SIDE PANEL NW 308-508
0003	SCSC 98020201-02	MONITORING LED LABEL - NW series
0004	SCSC 80000011-00	PROTECTION
0005	SCSC 41000038-01	PLASTIC SHUTTER
0006	SCSC 11000089-00	TOP PANEL
0007	SCSC 11000087-00	PANEL
0008	SCSC 80000005-00	AIR FILTER
0009	SCSC 11000088-00	RIGHT SIDE PANEL NW 308-508



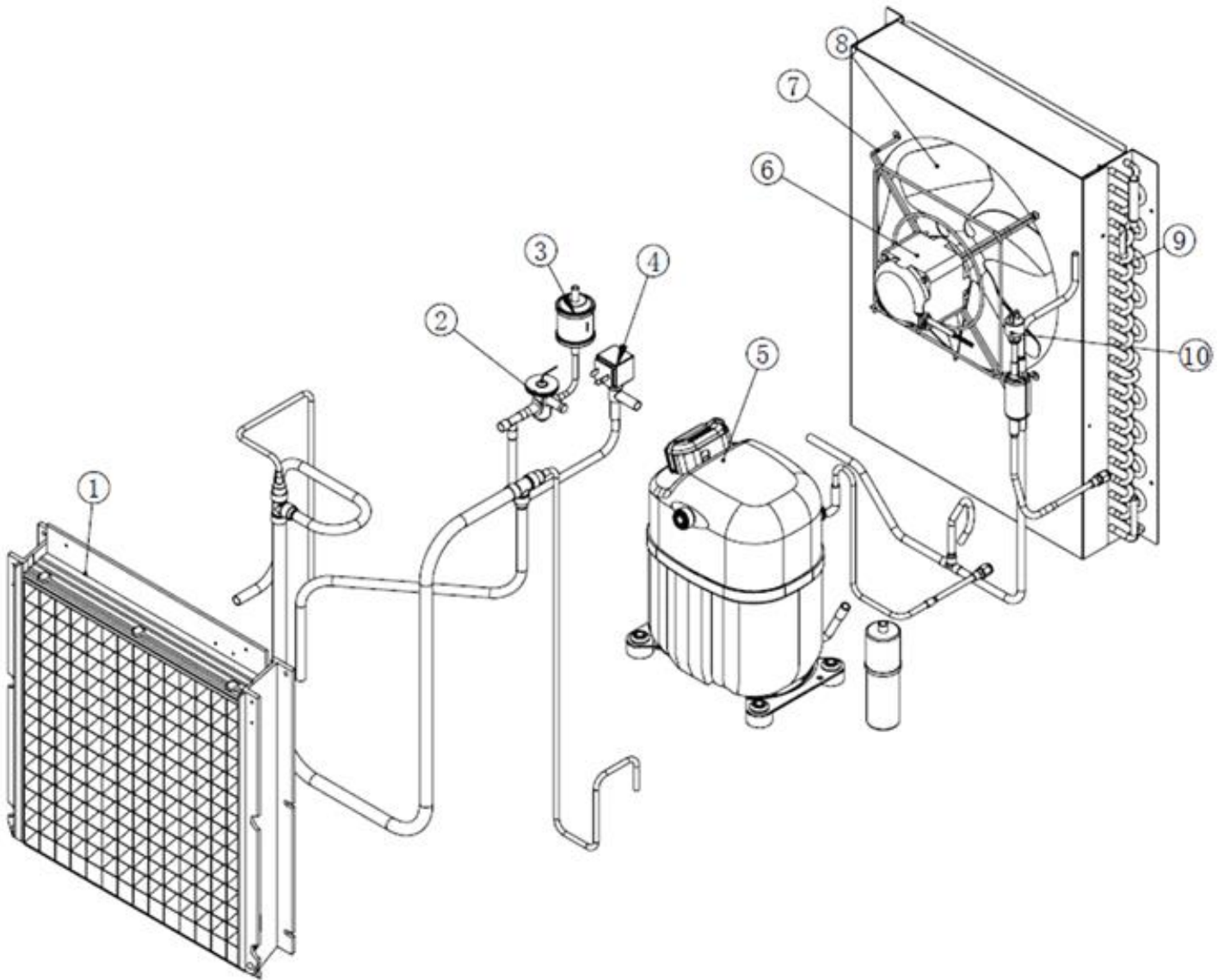
Pos	Code	Description
0001	SCSC 91000014-10	FRONT PANEL
0001	SCSC 97000184-00	FRONT PANEL HINGE KIT 308/508
0002	SCSC 11000111-00	LEFT SIDE PANEL NW 308-508
0003	SCSC 98020201-02	MONITORING LED LABEL - NW series
0004	SCSC 80000011-00	PROTECTION
0005	SCSC 41000038-01	PLASTIC SHUTTER
0006	SCSC 11000089-00	TOP PANEL
0007	SCSC 11000087-00	PANEL
0008	SCSC 80000019-00	AIR FILTER
0009	SCSC 11000088-00	RIGHT SIDE PANEL NW 308-508



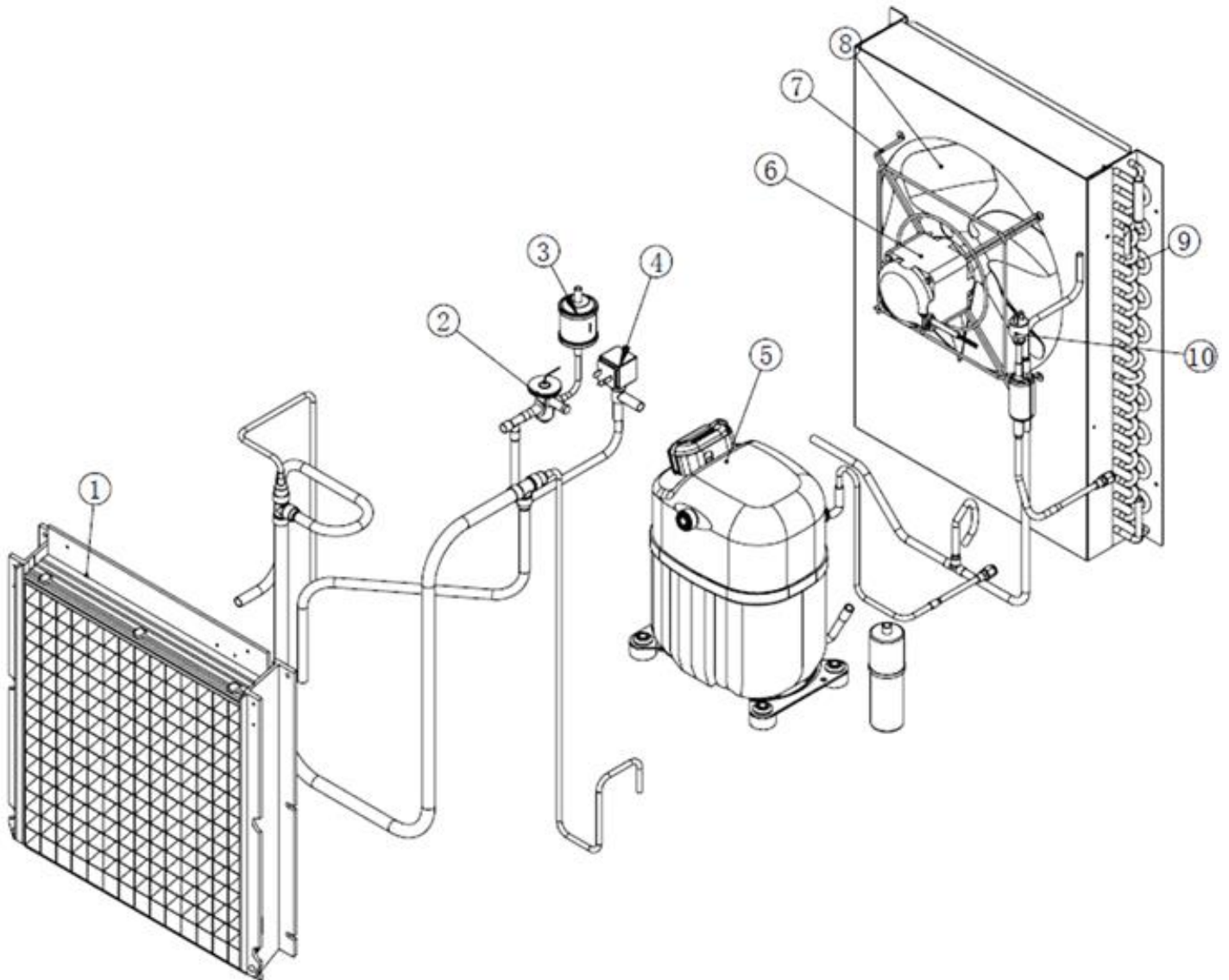
Pos	Code	Description
0001	SCSC 9100017-10	FRONT PANEL
0001	SCSC 97000184-00	FRONT PANEL HINGE KIT 308/508
0002	SCSC 11000184-00	LEFT SIDE PANEL
0003	SCSC 98020201-02	MONITORING LED LABEL - NW series
0005	SCSC 41000038-01	PLASTIC SHUTTER
0006	SCSC 11000182-00	TOP PANEL
0008	SCSC 11000183-00	RIGHT SIDE PANEL



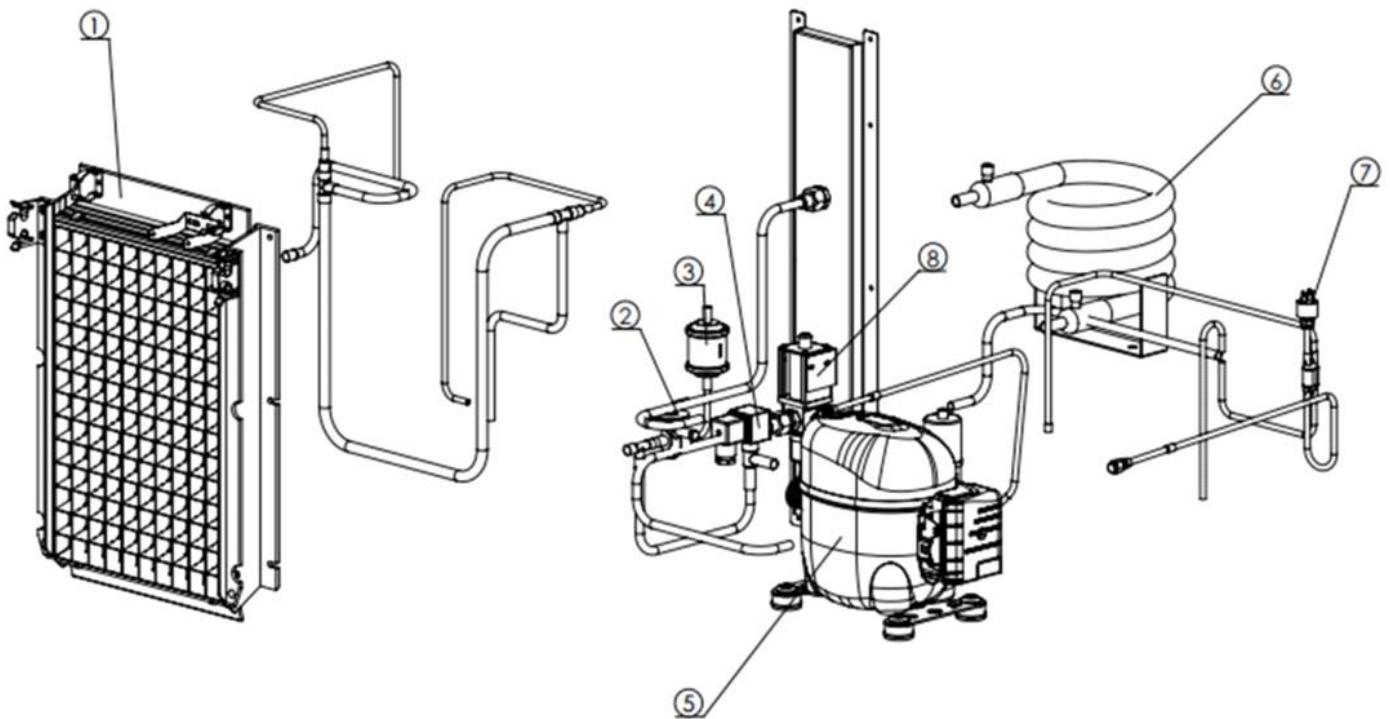
Pos	Code	Description
0001	SCSC 93000024-00	EVAPORATOR
0001	SCSC 93000024-01	EVAP. HALF DICE
0001	SCSC 93000044-12	EVAPORATOR LARGE CUBE
0002	SCSC 81000022-00	TXV
0003	SCCM 19300357	DRIER
0004	SCSC 97000114-00	HOT GAS VALVE KIT
0005	SC620057 46	RELAY 8565443
0005	SC620058 78	PROTECTOR - 8571505
0005	SC620167 00	START.CAP. - 8640162
0005	SC620167 21	CAPACITOR - 8685302
0005	SC670099 04	USE SC670099 26
0006	SCCM 18562524	MOTOR
0007	SCCM 25726513	BRACKET
0008	SC620419 37	BLADE
0009	SCSC 81000016-00	AIR CONDENSER
0010	SCCM 19550628	HIGH PRESSURE SAFETY SWIT



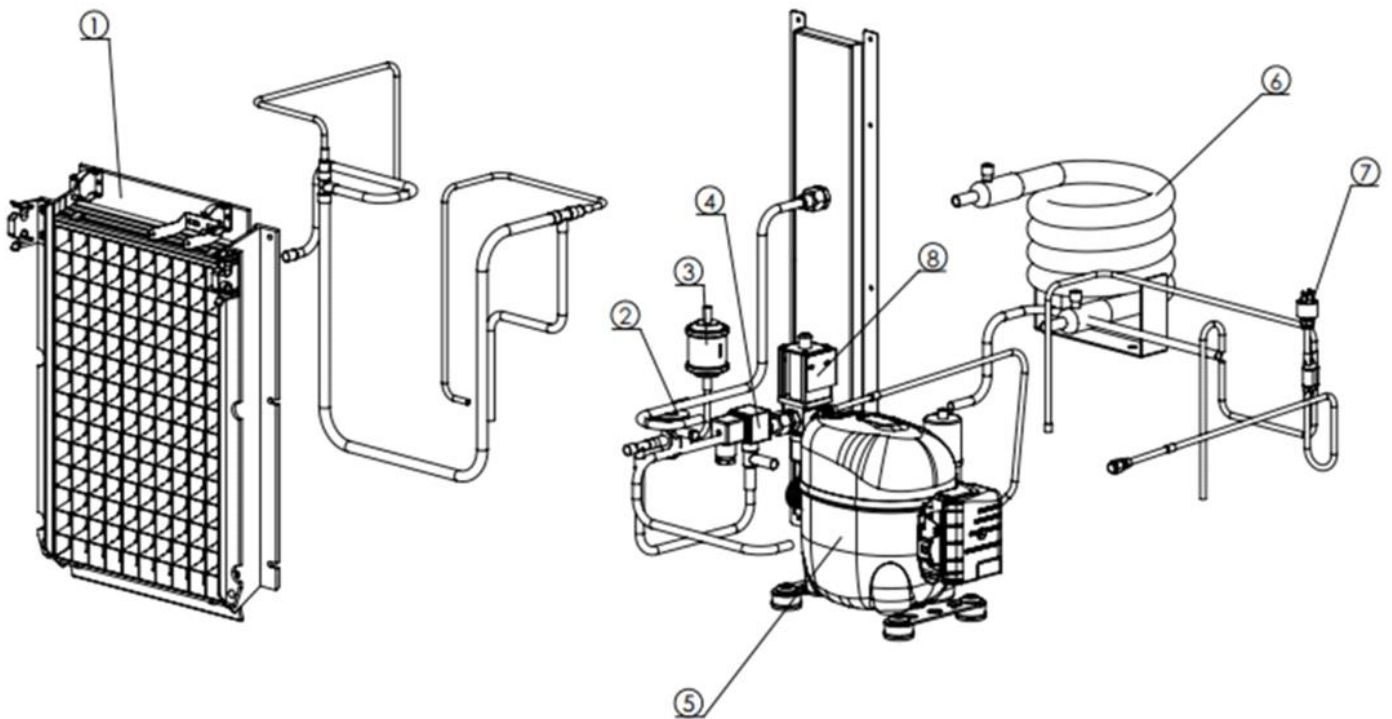
Pos	Code	Description
0001	SCSC 93000044-10	EVAPORATOR DICE
0001	SCSC 93000044-12	EVAPORATOR LARGE CUBE
0002	SCSC 81000022-00	TXV
0003	SCCM 19300357	DRIER
0004	SCSC 97000114-00	HOT GAS VALVE KIT
0005	SC620057 46	RELAY 8565443
0005	SC620058 78	PROTECTOR - 8571505
0005	SC620167 00	START.CAP. - 8640162
0005	SC620167 21	CAPACITOR - 8685302
0005	SC670099 26	COM.CAJ9510Z220-240/50(AJKZB1JF603A06-M)
0006	SCSC 62041907-53	FAN MOTOR - 230/50-60
0007	SCCM 25726513	BRACKET
0008	SC620419 37	BLADE
0009	SCSC 81000016-00	AIR CONDENSER
0010	SCCM 19550628	HIGH PRESSURE SAFETY SWIT



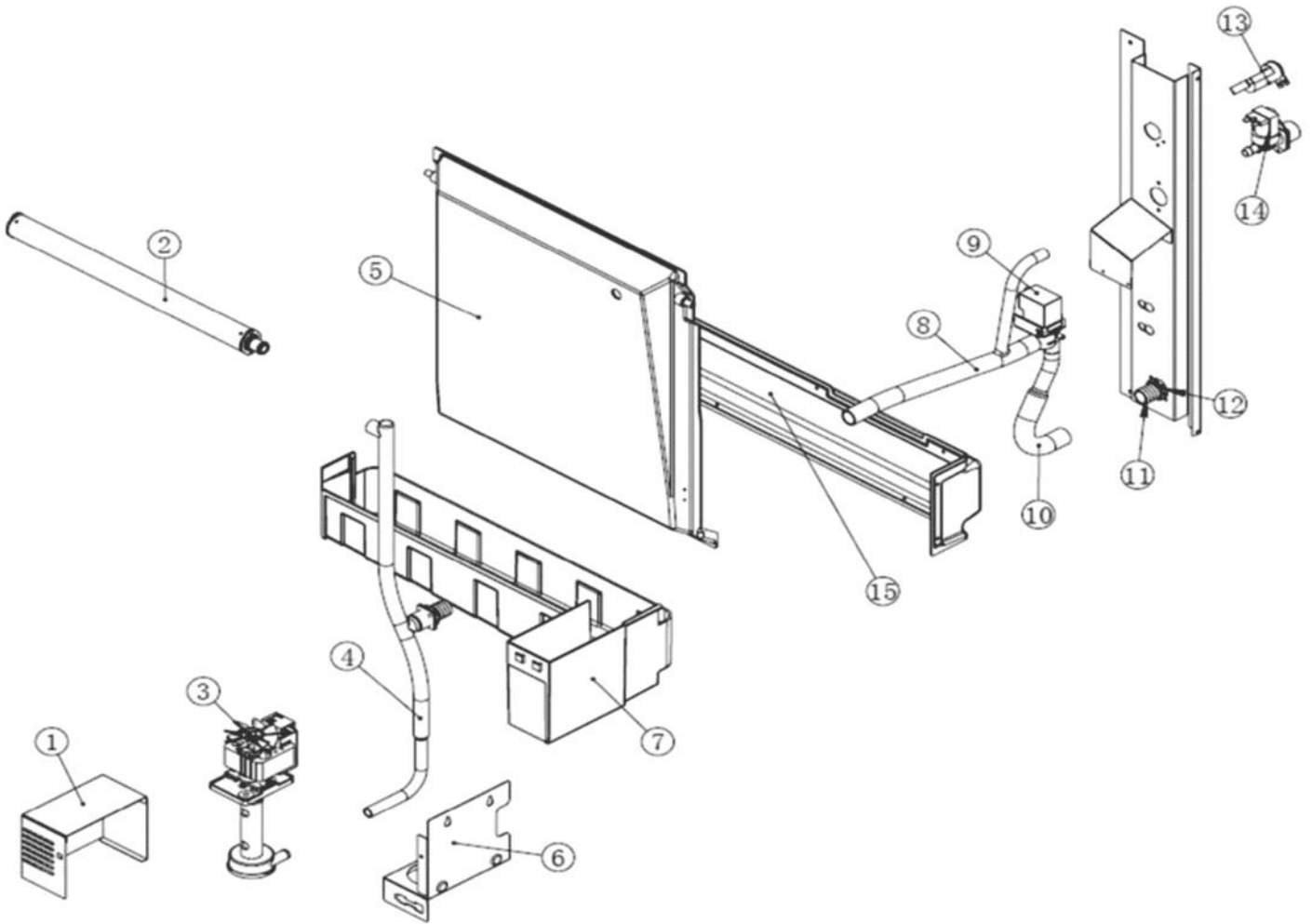
Pos	Code	Description
0001	SCSC 93000044-10	EVAPORATOR DICE
0001	SCSC 93000044-12	EVAPORATOR LARGE CUBE
0002	SCSC 81000022-00	TXV
0003	SCCM 19300357	DRIER
0004	SCCA 1068/M10S	VALVE SOLENOID 10MM ODS W/O COIL
0005	SC620057 46	RELAY 8565443
0005	SC620058 78	PROTECTOR - 8571505
0005	SC620167 00	START.CAP. - 8640162
0005	SC620167 21	CAPACITOR - 8685302
0005	SC670099 26	COM.CAJ9510Z220-240/50(AJKZB1JF603A06-M)
0006	SCSC 62041907-53	FAN MOTOR - 230/50-60
0007	SCCM 25726513	BRACKET
0008	SC620419 37	BLADE
0009	SCSC 81000016-00	AIR CONDENSER
0010	SCCM 19550628	HIGH PRESSURE SAFETY SWIT



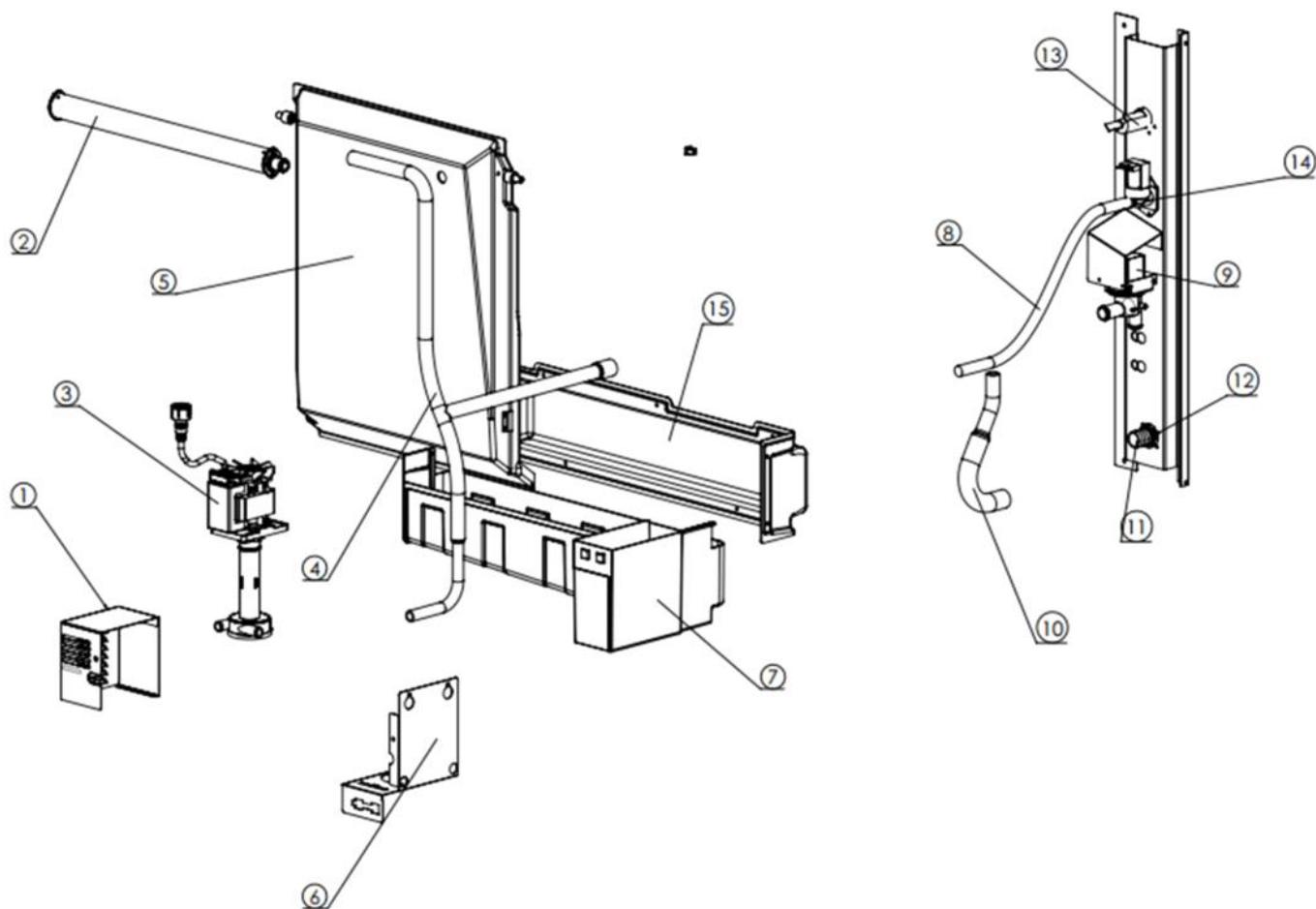
Pos	Code	Description
0001	SCSC 93000044-10	EVAPORATOR DICE
0001	SCSC 93000044-12	EVAPORATOR LARGE CUBE
0002	SCSC 81000022-00	TXV
0003	SCCM 19300357	DRIER
0004	SCSC 97000114-00	HOT GAS VALVE KIT
0005	SC620057 46	RELAY 8565443
0005	SC620058 78	PROTECTOR - 8571505
0005	SC620167 00	START.CAP. - 8640162
0005	SC620167 21	CAPACITOR - 8685302
0005	SC670099 26	COM.CAJ9510Z220-240/50(AJKZB1JF603A06-M)
0006	SCSC 81000003-00	WATER COOLED CONDENSER
0007	SCCM 19550628	HIGH PRESSURE SAFETY SWIT
0008	SCSC 81000006-00	WATER REGULATING VALVE



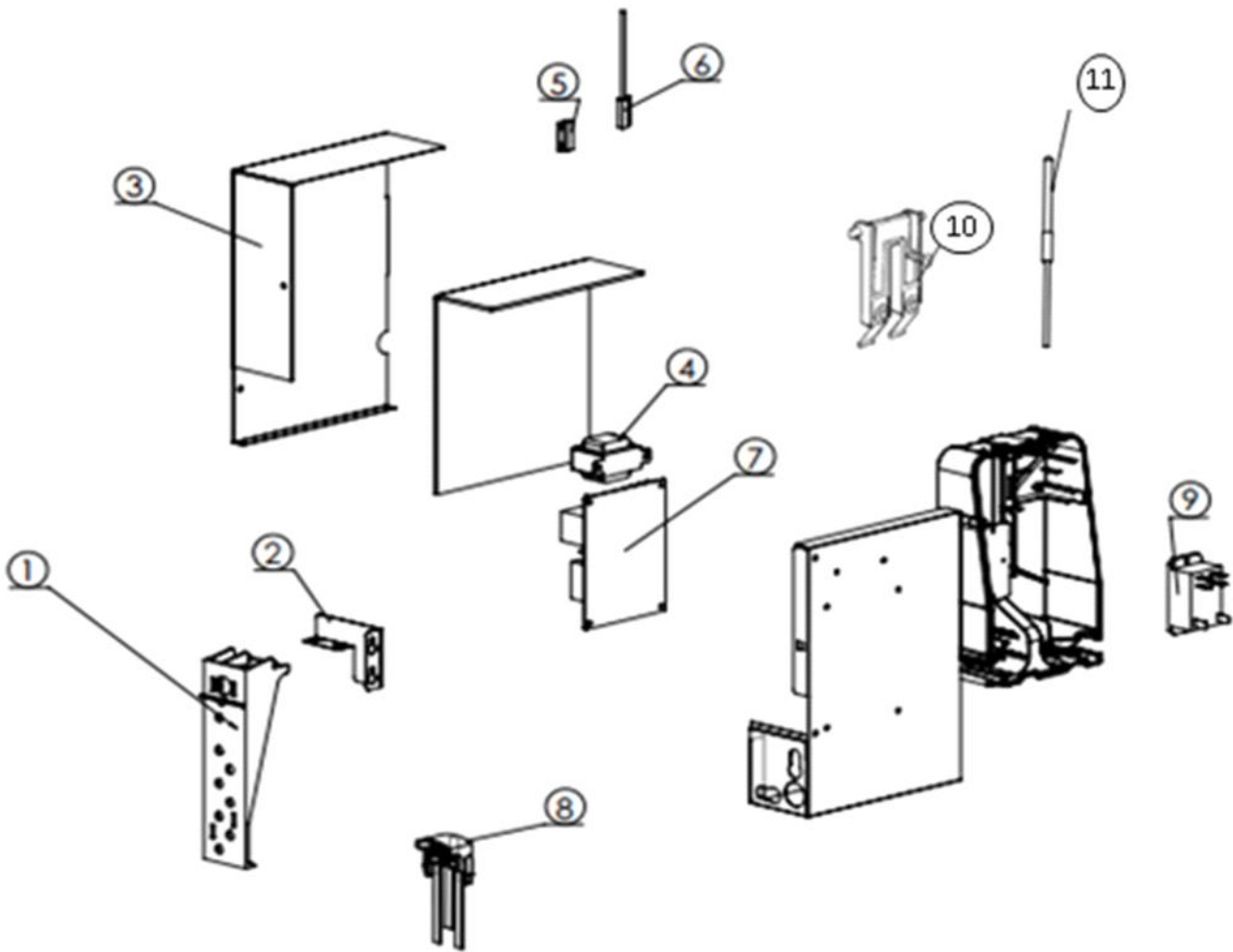
Pos	Code	Description
0001	SCSC 93000044-10	EVAPORATOR DICE
0001	SCSC 93000044-12	EVAPORATOR LARGE CUBE
0002	SCSC 81000022-00	TXV
0003	SCCM 19300357	DRIER
0004	SCCA 1068/M10S	VALVE SOLENOID 10MM ODS W/O COIL
0005	SC620057 46	RELAY 8565443
0005	SC620058 78	PROTECTOR - 8571505
0005	SC620167 00	START.CAP. - 8640162
0005	SC620167 21	CAPACITOR - 8685302
0005	SC670099 26	COM.CAJ9510Z220-240/50(AJKZB1JF603A06-M)
0006	SCSC 81000003-00	WATER COOLED CONDENSER
0007	SCCM 19550628	HIGH PRESSURE SAFETY SWIT
0008	SCSC 81000006-00	WATER REGULATING VALVE



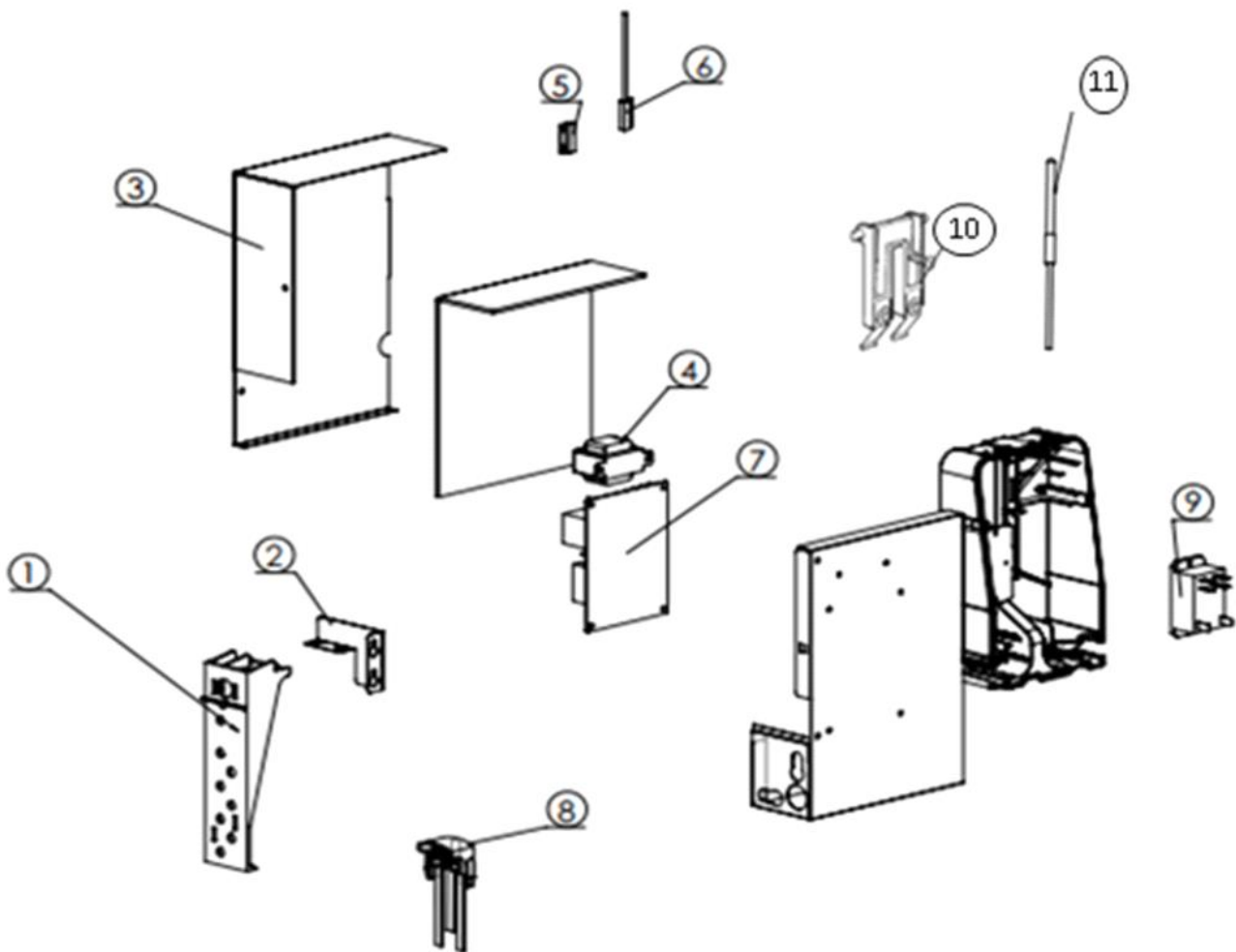
Pos	Code	Description
0001	SCSC 11000086-00	WATER PUMP COVER
0002	SCSC 94000073-00	WATER DISTRIBUTOR 508-26
0003	SC620433 00	USE SC620433 08R
0003	SC620433 01	WATER PUMP 230V/60HZ/1PH
0004	SCSC 22000003-00	WATER HOSE
0005	SCSC 94000013-10	ICE DEFLECTOR
0007	SCSC 41000046-00	WATER SUMP 22
0008	SCSC 22000004-00	WATER HOSE
0009	SCSC 82000017-99	WATER PROOF DRAIN VALVE 230 V
0010	SCSC 22000005-00	WATER DRAIN HOSE
0011	SCSC 41000007-00	WATER DRAIN FITTING
0012	SC660535 00	PLASTIC NUT
0013	SC630107 01	CABLE HOLDER
0014	SC650105 00	SOLENOID



Pos	Code	Description
0001	SCSC 11000341-00	WATER PUMP COVER
0002	SCSC 94000051-00	WATER DISTRIBUTOR 508-22
0003	SCSC 82000009-02	WATER PUMP - 230/60
0003	SCSC 82000010-02	WATER PUMP - 230/50
0004	SCSC 22000018-00	WATER TUBE
0005	SCSC 94000026-10	ICE DEFLECTOR
0006	SCSC 11000340-00	WATER PUMP BRACKET
0007	SCSC 41000046-00	WATER SUMP 22
0008	SCSC 22000007-00	WATER INLET HOSE
0009	SC11000564 02	USE SCSC 82000017-99
0010	SCSC 22000005-00	WATER DRAIN HOSE
0011	SCSC 41000007-00	WATER DRAIN FITTING
0012	SC660535 00	PLASTIC NUT
0013	SC630107 01	CABLE HOLDER
0014	SC650105 00	SOLENOID
0015	SCSC 41000049-00	WATER TANK BRACKET



Pos	Code	Description
0001	SCSC 41000008-00	LED CARD HOLDER
0001	SCSC 98050105-00	MONITORING LED ASSY
0002	SCSC 11000113-00	BRACKET
0003	SCSC 11000339-00	COVER
0004	SCSC 99020404-00	TRANSFORMER
0005	SC11000563 02	MAGNET
0006	SCSC 98050103-00	MAGNET SWITCH
0007	SCSC 98050101-00	PC BOARD
0008	SCSC 97000092-11	WATER LEVEL SENSOR
0009	SCSC 30000003-00	RELAY
0010	SCSC 98050106-00	ICE THICKNESS SENSOR
0011	SCSC 99020468-00	CONDENSER SENSOR
0012	SCSC 98050105-00	MONITORING LED ASSY



Pos	Code	Description
0001	SCSC 41000008-00	LED CARD HOLDER
0001	SCSC 98050105-00	MONITORING LED ASSY
0002	SCSC 11000113-00	BRACKET
0003	SCSC 11000339-00	COVER
0004	SCSC 99020404-00	TRANSFORMER
0005	SC11000563 02	MAGNET
0006	SCSC 98050103-00	MAGNET SWITCH
0007	SCSC 98050101-00	PC BOARD
0008	SCSC 97000092-11	WATER LEVEL SENSOR
0009	SC630119 00	CONTACTOR
0010	SCSC 98050106-00	ICE THICKNESS SENSOR
0011	SCSC 99020468-00	CONDENSER SENSOR
0012	SCSC 98050105-00	MONITORING LED ASSY