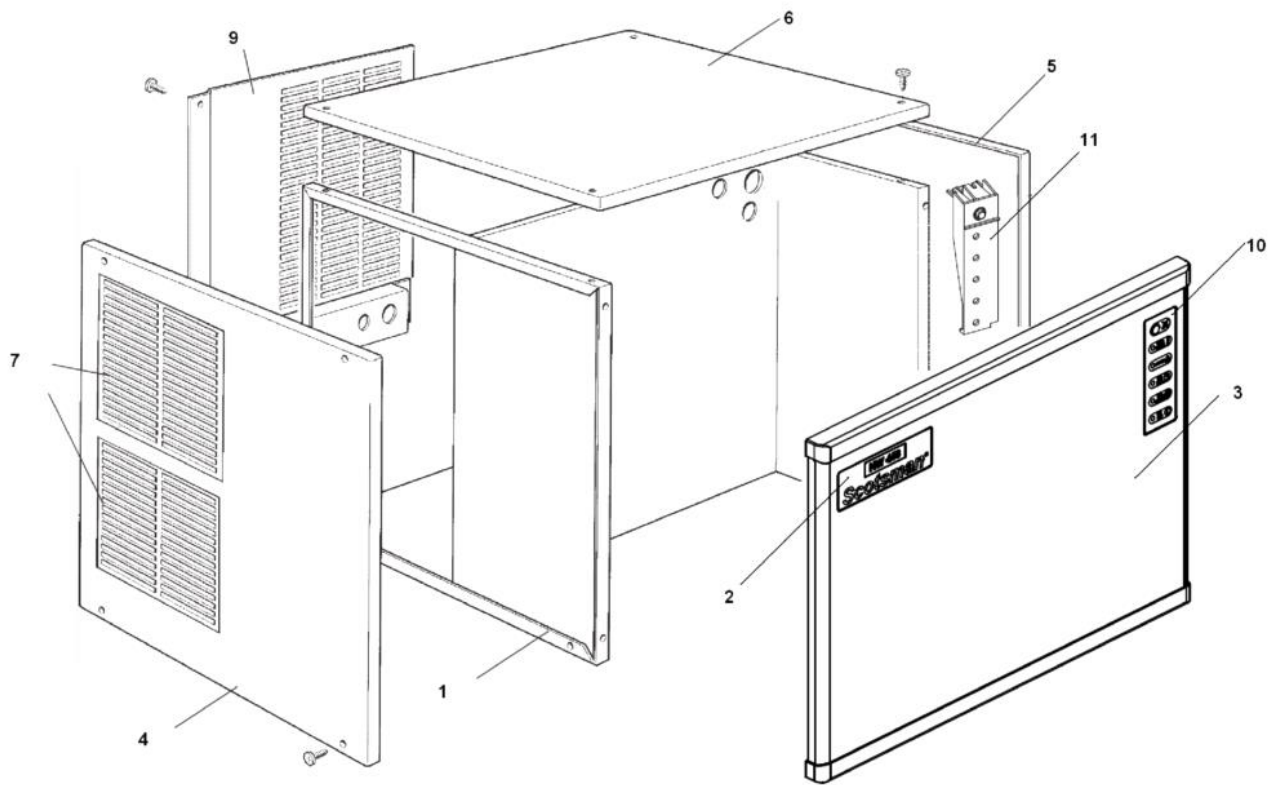
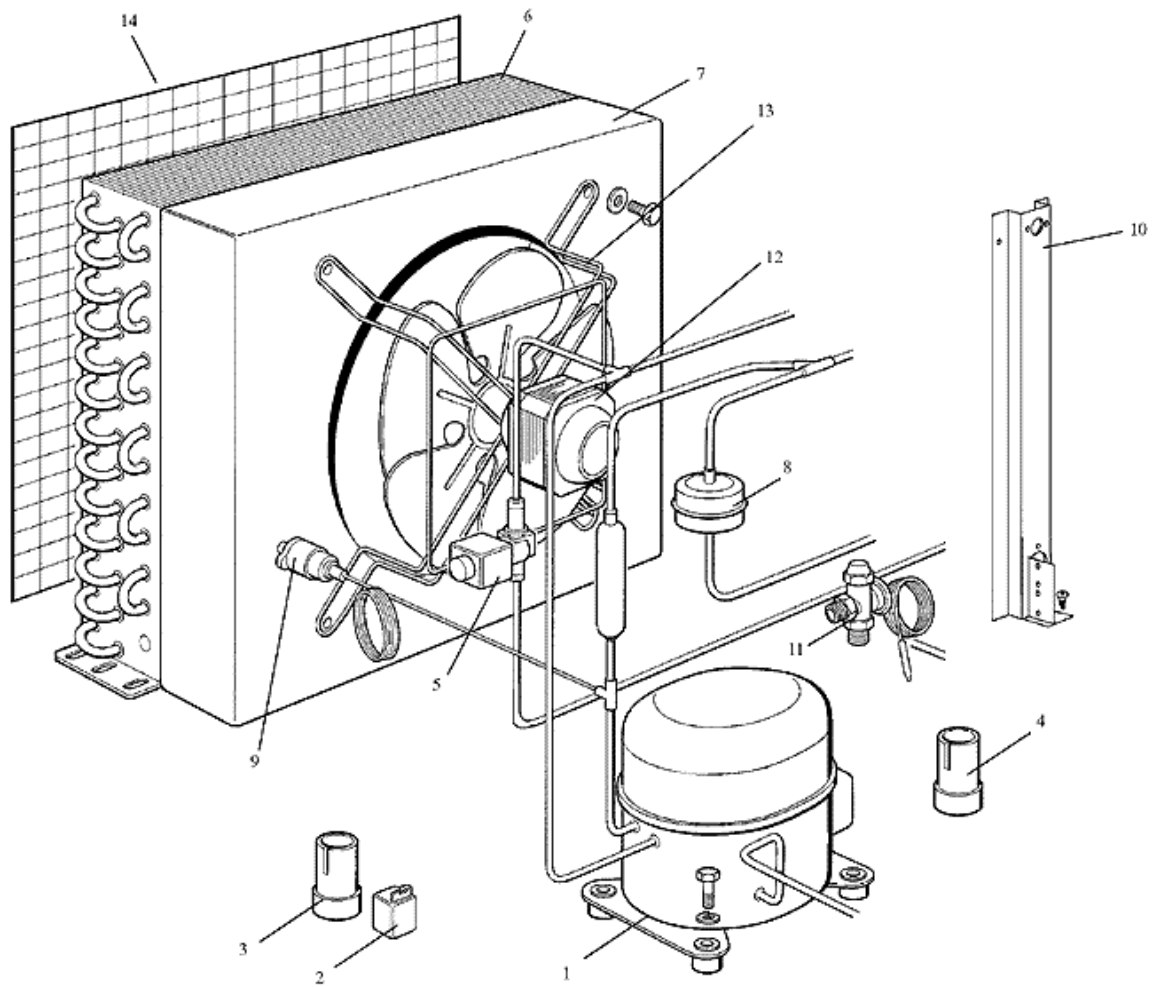


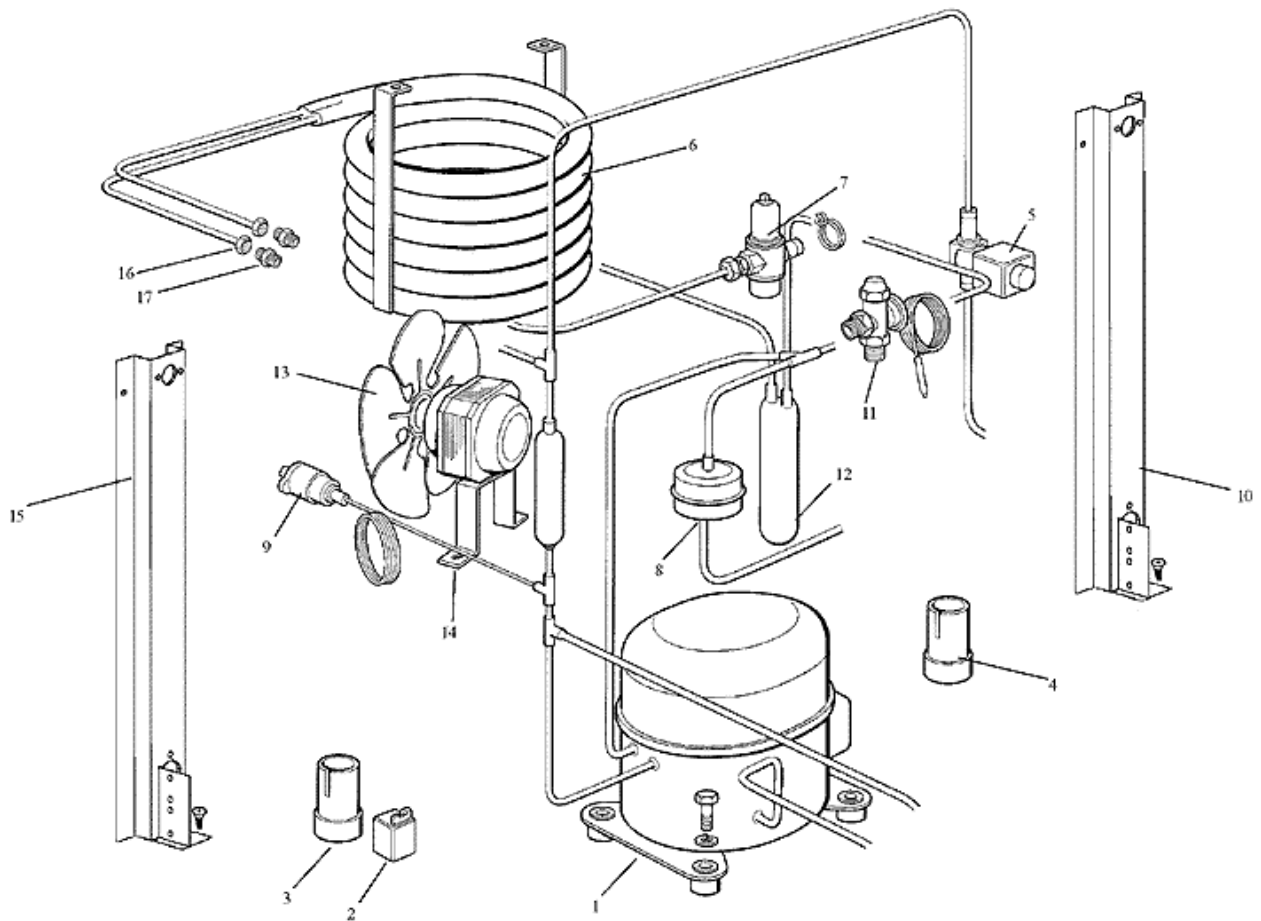
| Pos  | Code             | Description                      |
|------|------------------|----------------------------------|
| 0002 | SC650850 00      | SCOTSMAN EMBLEM                  |
| 0003 | SCSC 91000079-20 | FRONT PANEL                      |
| 0004 | SCCM 25330790    | PANEL LEFT SIDE                  |
| 0005 | SCCM 25330788    | PANEL RIGHT SIDE                 |
| 0006 | SCCM 81453600    | TOP PANEL (USE SCCM 81455074)    |
| 0007 | SCCM 28295030    | GRILL PLASTIC                    |
| 0009 | SCCM 25550781    | REAR PANEL                       |
| 0009 | SCCM 25550890    | REAR PANEL                       |
| 0010 | SCSC 98020201-02 | MONITORING LED LABEL - NW series |
| 0011 | SCSC 41000008-00 | LED CARD HOLDER                  |



| Pos  | Code             | Description                      |
|------|------------------|----------------------------------|
| 0002 | SC650850 00      | SCOTSMAN EMBLEM                  |
| 0003 | SCSC 91000079-20 | FRONT PANEL                      |
| 0004 | SCSC 11000091-00 | LEFT SIDE PANEL                  |
| 0005 | SCSC 11000092-00 | RIGHT SIDE PANEL                 |
| 0006 | SCCM 81453600    | TOP PANEL (USE SCCM 81455074)    |
| 0007 | SCSC 41000038-01 | PLASTIC SHUTTER                  |
| 0009 | SCCM 25550781    | REAR PANEL                       |
| 0009 | SCCM 25550890    | REAR PANEL                       |
| 0010 | SCSC 98020201-02 | MONITORING LED LABEL - NW series |
| 0011 | SCSC 41000008-00 | LED CARD HOLDER                  |

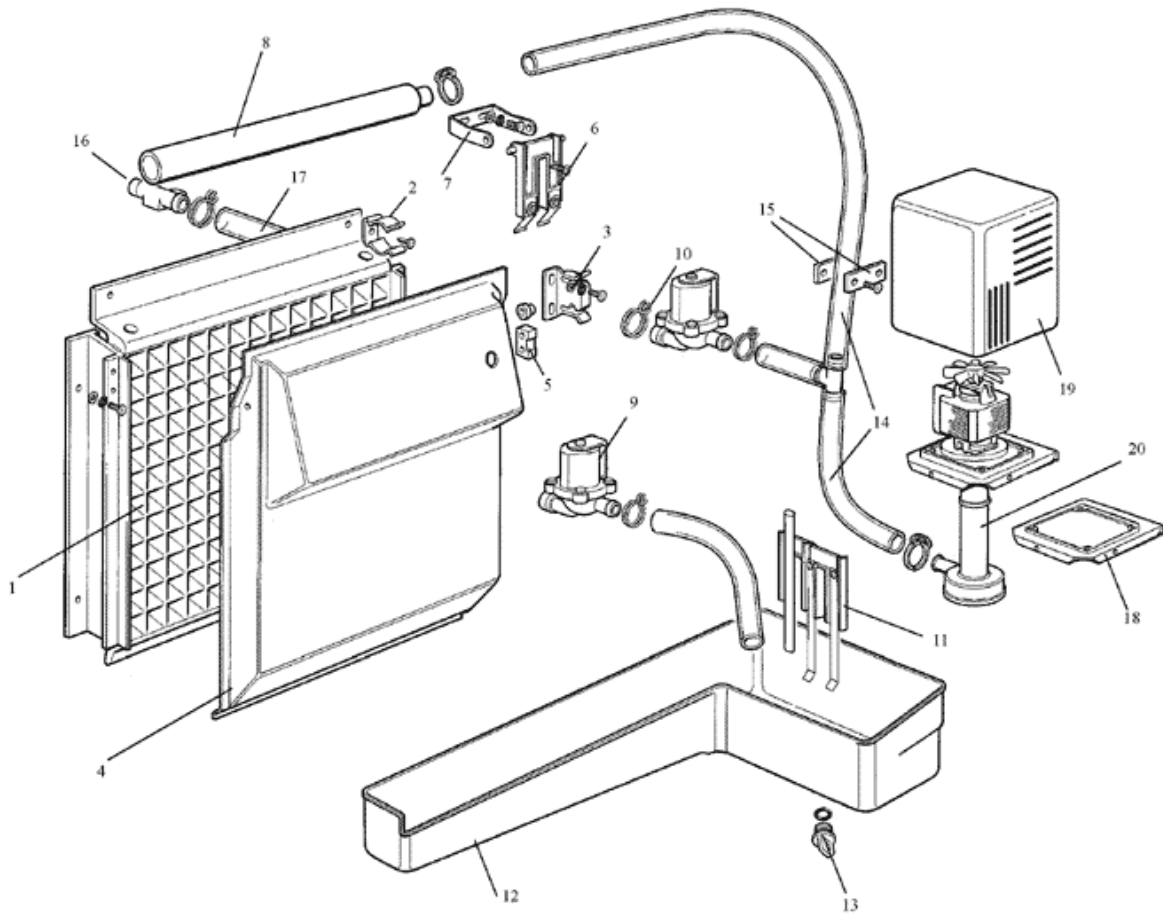


| Pos  | Code           | Description                              |
|------|----------------|--|
| 0001 | SC620058 78    | PROTECTOR - 8571505                      |
| 0001 | SC670099 04    | USE SC670099 26                          |
| 0001 | SC670099 27    | COM.CAJ9510Z208-220/60(AJKZB1HF603A06-M) |
| 0002 | SC620057 46    | RELAY 8565443                            |
| 0002 | SC620057 47    | RELAY - 8565400                          |
| 0003 | SC620167 00    | START.CAP. - 8640162                     |
| 0004 | SC620167 21    | CAPACITOR - 8685302                      |
| 0005 | SCCA 1068/M10S | VALVE SOLENOID 10MM ODS W/O COIL         |
| 0005 | SCSP 1124012   | USE SCCA 9300/RA6                        |
| 0007 | SCCM 25168795  | CONDENSER SHROUD                         |
| 0008 | SCCM 19300357  | DRIER                                    |
| 0009 | SCCM 19550628  | HIGH PRESSURE SAFETY SWIT                |
| 0010 | SCCM 25725530  | METAL BRACKET                            |
| 0012 | SCCM 18562524  | MOTOR                                    |
| 0012 | SCCM 25726513  | BRACKET                                  |
| 0013 | SC620419 37    | BLADE                                    |
| 0013 | SCCM 25726513  | BRACKET                                  |
| 0014 | SCCM 25339006  | FILTER                                   |

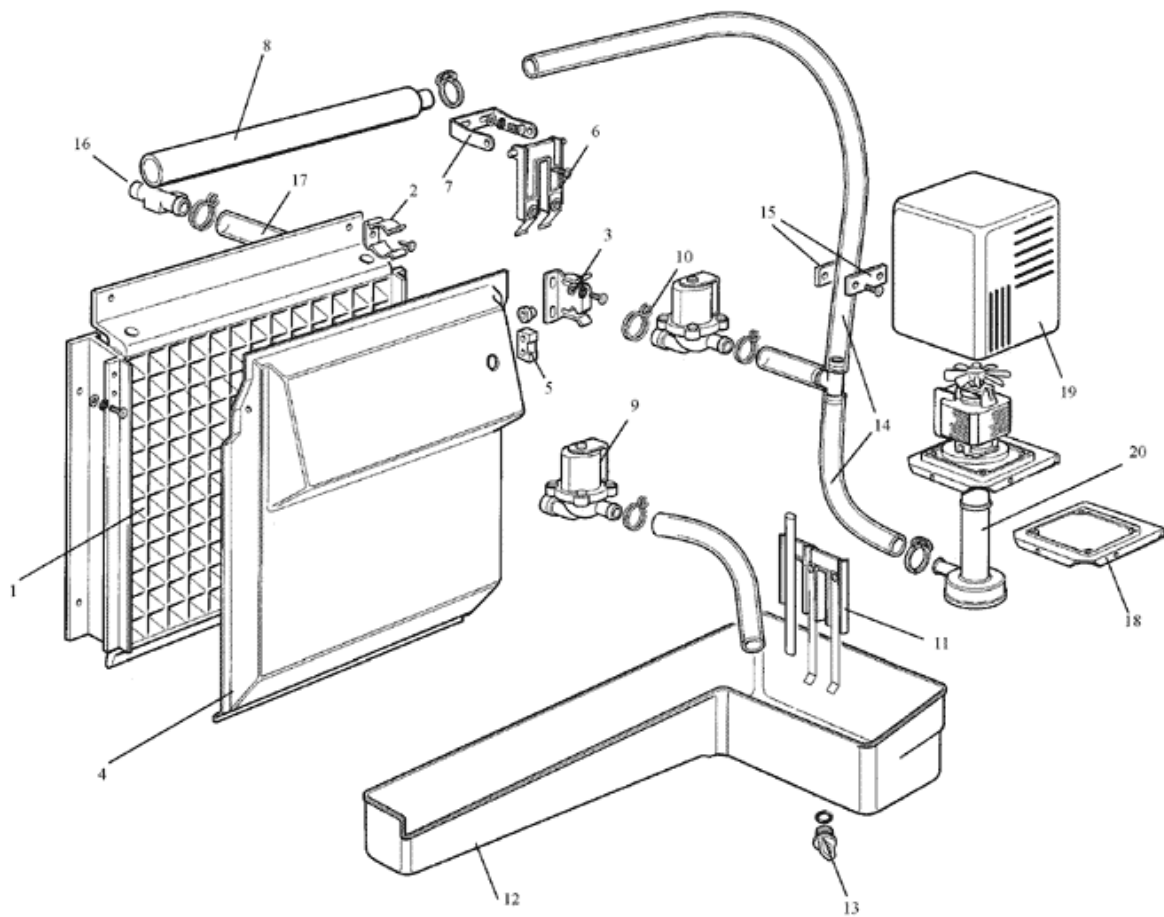


| Pos  | Code             | Description                              |
|------|------------------|--|
| 0001 | SC620058 78      | PROTECTOR - 8571505                      |
| 0001 | SC670099 04      | USE SC670099 26                          |
| 0001 | SC670099 27      | COM.CAJ9510Z208-220/60(AJKZB1HF603A06-M) |
| 0002 | SC620057 46      | RELAY 8565443                            |
| 0002 | SC620057 47      | RELAY - 8565400                          |
| 0003 | SC620167 00      | START.CAP. - 8640162                     |
| 0004 | SC620167 21      | CAPACITOR - 8685302                      |
| 0005 | SCCA 1068/M10S   | VALVE SOLENOID 10MM ODS W/O COIL         |
| 0005 | SCSP 1124012     | USE SCCA 9300/RA6                        |
| 0006 | SCSC 81000003-00 | WATER COOLED CONDENSER                   |
| 0007 | SC620111 00      | WATER REGUL. VALVE                       |
| 0008 | SCCM 19300357    | DRIER                                    |
| 0009 | SCCM 19550628    | HIGH PRESSURE SAFETY SWIT                |
| 0010 | SCCM 25725530    | METAL BRACKET                            |
| 0015 | SCSC 11000051-00 |  |
| 0016 | SCSC 94000011-00 | KIT WATER INLET FITTINGS                 |
| 0017 | SCSC 94000012-00 | KIT WATER OUTLET FITTINGS                |

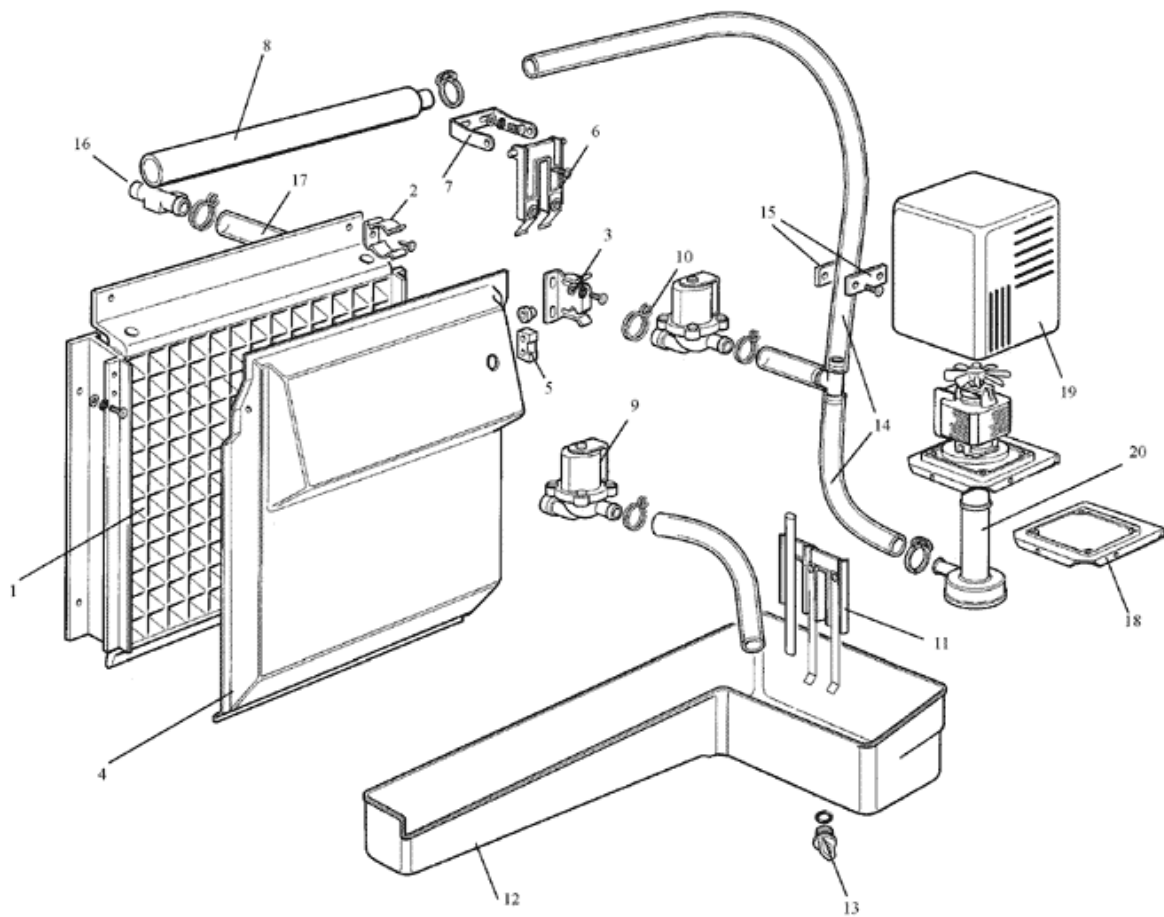




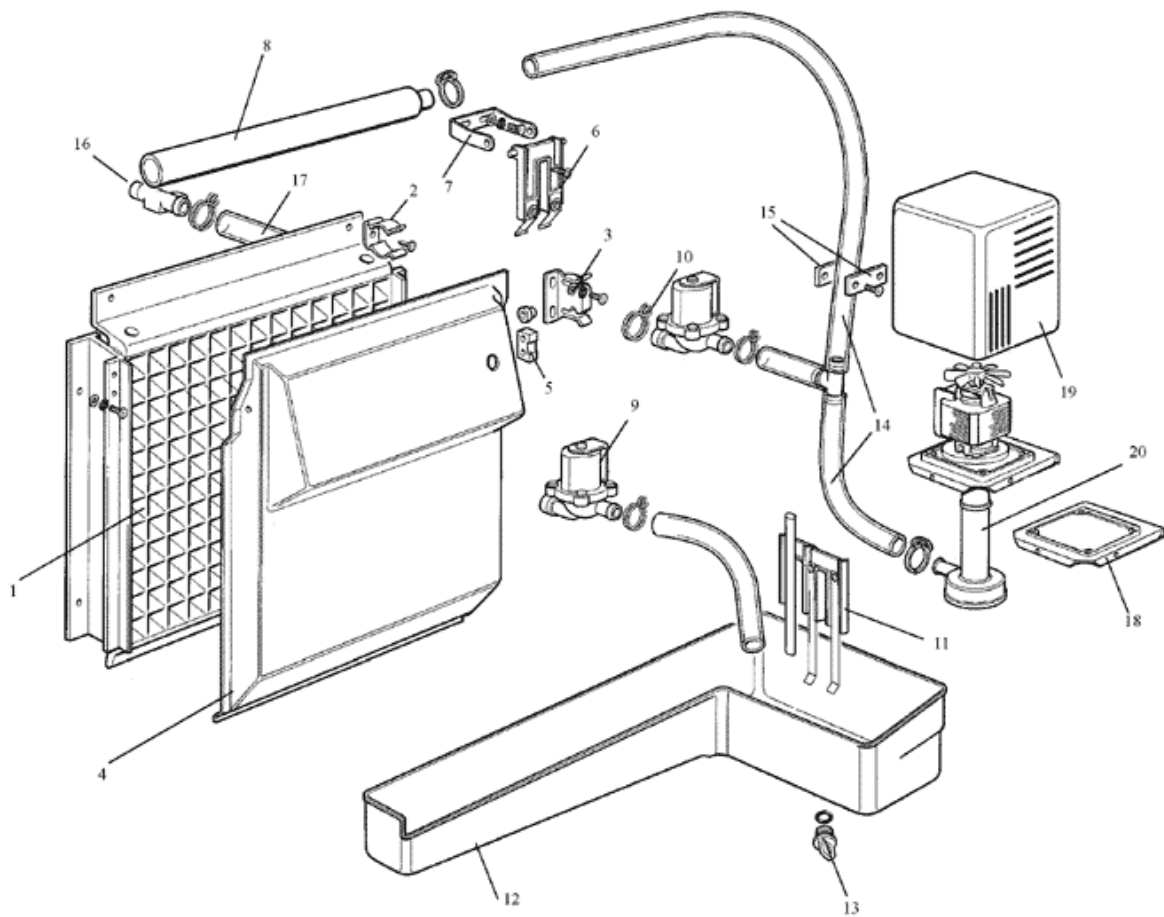
| Pos  | Code             | Description                       |
|------|------------------|-----------------------------------|
| 0001 | SCSC 93000045-10 | EVAPORATOR DICE                   |
| 0001 | SCSC 93000045-11 | EVAPORATOR HALF LARGE             |
| 0002 | SCCM 25474608    | METAL CLIP                        |
| 0003 | SCSC 25726473-00 | ICE DEFLECTOR BRACKET             |
| 0004 | SCCM 81453630    | USE SCSC 81453630-10              |
| 0005 | SCCM 19355007    | MGT                               |
| 0006 | SCCM 81453434    | SENSOR, ICE THICKNESS             |
| 0007 | SCCM 25725450    | SENSOR SYST. BRKT                 |
| 0008 | SCCM 81453575    | SPRAY TUBE - USE SCSC 94000006-01 |
| 0009 | SC650105 00      | SOLENOID                          |
| 0010 | SC11000564 02    | USE SCSC 82000017-99              |
| 0011 | SCCM 81453796    | WATER LEVEL SENSOR                |
| 0012 | SCCM 19950006    | THUMB SCREW                       |
| 0012 | SCCM 25820125    | WATER SUMP                        |
| 0013 | SC640041 31      | O RING OR 2031 (WRAS-FDA)         |
| 0013 | SCCM 25730503    | DRAIN PLUG.                       |
| 0014 | SCSC 81454805-00 | WATER HOSE                        |
| 0015 | SC793247 00R     | WATER RESTRICTION KIT             |
| 0016 | SCCM 25690807    | DRAIN FITTING                     |
| 0017 | SCSC 25792106-00 | TUBE                              |
| 0018 | SCCM 25725531    | PUMP BRACKET                      |
| 0019 | SCCM 81453627    | WATER PUMP COVER                  |
| 0020 | SC620433 00      | USE SC620433 08R                  |
| 0020 | SC620433 01      | WATER PUMP 230V/60HZ/1PH          |



| Pos  | Code             | Description                       |
|------|------------------|-----------------------------------|
| 0001 | SCSC 93000045-10 | EVAPORATOR DICE                   |
| 0001 | SCSC 93000045-11 | EVAPORATOR HALF LARGE             |
| 0002 | SCCM 25474608    | METAL CLIP                        |
| 0003 | SCSC 25726473-00 | ICE DEFLECTOR BRACKET             |
| 0004 | SCCM 81453630    | USE SCSC 81453630-10              |
| 0005 | SCCM 19355007    | MGT                               |
| 0006 | SCCM 81453434    | SENSOR, ICE THICKNESS             |
| 0007 | SCCM 25725450    | SENSOR SYST. BRKT                 |
| 0008 | SCCM 81453575    | SPRAY TUBE - USE SCSC 94000006-01 |
| 0009 | SC650105 00      | SOLENOID                          |
| 0010 | SC11000564 02    | USE SCSC 82000017-99              |
| 0011 | SCCM 81453796    | WATER LEVEL SENSOR                |
| 0012 | SCCM 19950006    | THUMB SCREW                       |
| 0012 | SCSC 41000004-00 | WATER SUMP 30                     |
| 0013 | SCSC 41000005-00 | DRAIN PLUG                        |
| 0013 | SCSC 87000001-00 | O RING                            |
| 0014 | SCSC 81454805-00 | WATER HOSE                        |
| 0015 | SC793247 00R     | WATER RESTRICTION KIT             |
| 0016 | SCCM 25690807    | DRAIN FITTING                     |
| 0017 | SCSC 25792106-00 | TUBE                              |
| 0018 | SCSC 11000058-00 | WATER PUMP BRKT                   |
| 0019 | SCSC 91000015-00 | WATER PUMP COVER                  |
| 0020 | SC620433 00      | USE SC620433 08R                  |
| 0020 | SC620433 01      | WATER PUMP 230V/60HZ/1PH          |

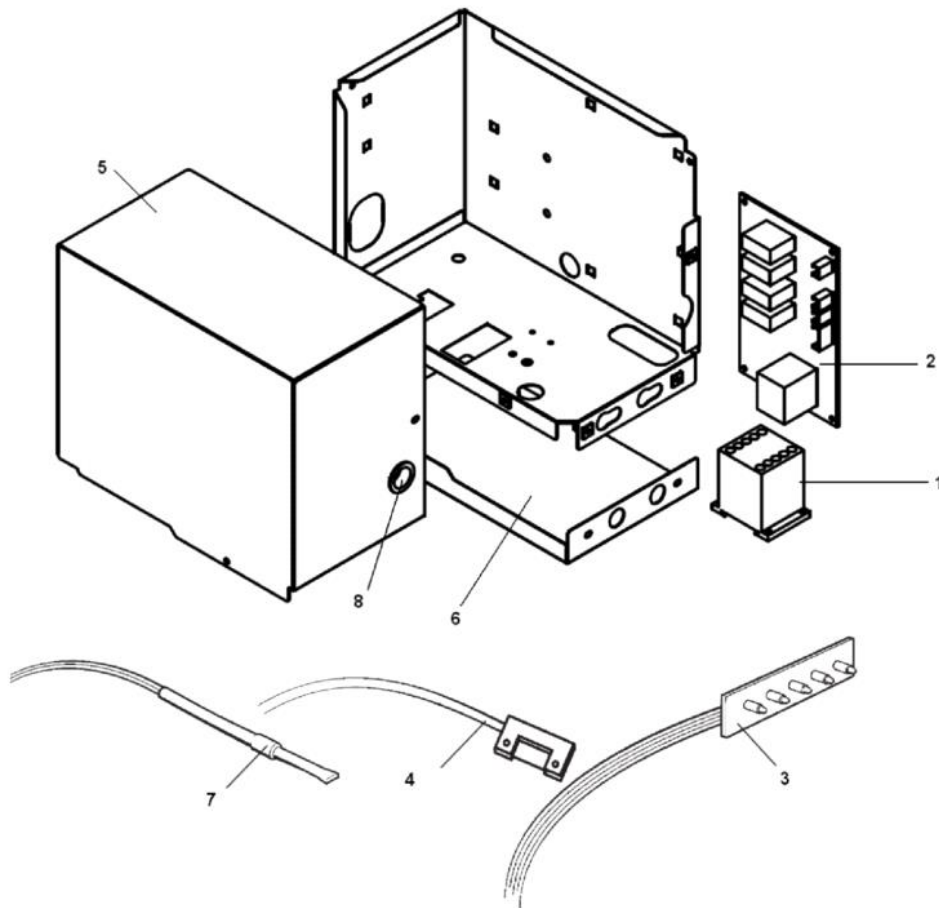


| Pos  | Code             | Description                       |
|------|------------------|-----------------------------------|
| 0001 | SCSC 93000045-10 | EVAPORATOR DICE                   |
| 0001 | SCSC 93000045-11 | EVAPORATOR HALF LARGE             |
| 0001 | SCSC 93000045-12 | EVAPORATOR LARGE CUBE             |
| 0002 | SCCM 25474608    | METAL CLIP                        |
| 0003 | SCSC 25726473-00 | ICE DEFLECTOR BRACKET             |
| 0004 | SCCM 81453630    | USE SCSC 81453630-10              |
| 0005 | SC11000563 02    | MAGNET                            |
| 0006 | SCSC 98050106-00 | ICE THICKNESS SENSOR              |
| 0007 | SCCM 25725450    | SENSOR SYST. BRKT                 |
| 0008 | SCCM 81453575    | SPRAY TUBE - USE SCSC 94000006-01 |
| 0009 | SC650105 54      | WATER INLET VALVE                 |
| 0010 | SC11000564 02    | USE SCSC 82000017-99              |
| 0011 | SCSC 98050107-00 | WATER LEVEL SENSOR                |
| 0012 | SCCM 19950006    | THUMB SCREW                       |
| 0012 | SCSC 41000004-00 | WATER SUMP 30                     |
| 0013 | SCSC 41000005-00 | DRAIN PLUG                        |
| 0013 | SCSC 87000001-00 | O RING                            |
| 0014 | SCSC 81454805-00 | WATER HOSE                        |
| 0015 | SC793247 00R     | WATER RESTRICTION KIT             |
| 0016 | SCCM 25690807    | DRAIN FITTING                     |
| 0017 | SCSC 25792106-00 | TUBE                              |
| 0018 | SCSC 11000058-00 | WATER PUMP BRKT                   |
| 0019 | SCSC 91000015-00 | WATER PUMP COVER                  |
| 0020 | SC620433 00      | USE SC620433 08R                  |
| 0020 | SC620433 01      | WATER PUMP 230V/60HZ/1PH          |

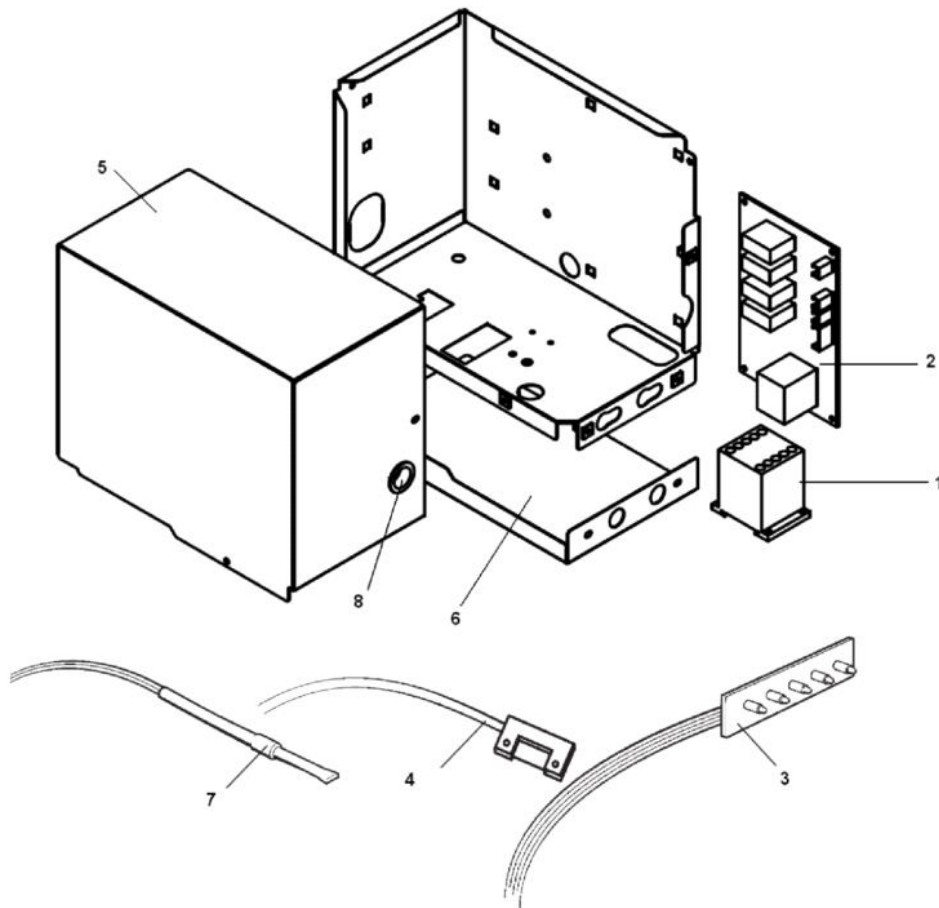


| Pos  | Code             | Description                       |
|------|------------------|-----------------------------------|
| 0001 | SCSC 93000045-10 | EVAPORATOR DICE                   |
| 0001 | SCSC 93000045-11 | EVAPORATOR HALF LARGE             |
| 0001 | SCSC 93000045-12 | EVAPORATOR LARGE CUBE             |
| 0002 | SCCM 25474608    | METAL CLIP                        |
| 0003 | SCSC 25726473-00 | ICE DEFLECTOR BRACKET             |
| 0004 | SCCM 81453630    | USE SCSC 81453630-10              |
| 0005 | SC11000563 02    | MAGNET                            |
| 0006 | SCSC 98050106-00 | ICE THICKNESS SENSOR              |
| 0007 | SCCM 25725450    | SENSOR SYST. BRKT                 |
| 0008 | SCCM 81453575    | SPRAY TUBE - USE SCSC 94000006-01 |
| 0009 | SC650105 54      | WATER INLET VALVE                 |
| 0010 | SC11000564 02    | USE SCSC 82000017-99              |
| 0011 | SCSC 98050107-00 | WATER LEVEL SENSOR                |
| 0012 | SCCM 19950006    | THUMB SCREW                       |
| 0012 | SCSC 41000004-00 | WATER SUMP 30                     |
| 0013 | SCSC 41000005-00 | DRAIN PLUG                        |
| 0013 | SCSC 87000001-00 | O RING                            |
| 0014 | SCSC 81454805-00 | WATER HOSE                        |
| 0015 | SC793247 00R     | WATER RESTRICTION KIT             |
| 0016 | SCCM 25690807    | DRAIN FITTING                     |
| 0017 | SCSC 25792106-00 | TUBE                              |
| 0018 | SCSC 11000058-00 | WATER PUMP BRKT                   |
| 0019 | SCSC 91000015-00 | WATER PUMP COVER                  |
| 0020 | SC620433 00      | USE SC620433 08R                  |
| 0020 | SC620433 01      | WATER PUMP 230V/60HZ/1PH          |





| Pos  | Code             | Description         |
|------|------------------|---------------------|
| 0001 | SC630119 00      | CONTACTOR           |
| 0002 | SCCM 33580250    | PC BOARD            |
| 0003 | SCCM 33580151    | MONITORING LED ASSY |
| 0004 | SCCM 33210019    | MGT SWITCH          |
| 0005 | SCSC 98010601-00 | CONTROL BOX COVER   |
| 0006 | SCSC 98010701-00 |                     |
| 0007 | SCCM 33580101    | CONDENSER SENSOR    |
| 0008 | SCSC 99200205-00 | SNAP BUSHING        |



| Pos  | Code             | Description         |
|------|------------------|---------------------|
| 0001 | SC630119 00      | CONTACTOR           |
| 0002 | SCSC 98050101-00 | PC BOARD            |
| 0002 | SCSC 99020404-00 | TRANSFORMER         |
| 0003 | SCSC 98050105-00 | MONITORING LED ASSY |
| 0004 | SCSC 98050103-00 | MAGNET SWITCH       |
| 0005 | SCSC 98010601-00 | CONTROL BOX COVER   |
| 0006 | SCSC 98010701-00 |                     |
| 0007 | SCSC 99020468-00 | CONDENSER SENSOR    |
| 0008 | SCSC 99200205-00 | SNAP BUSHING        |