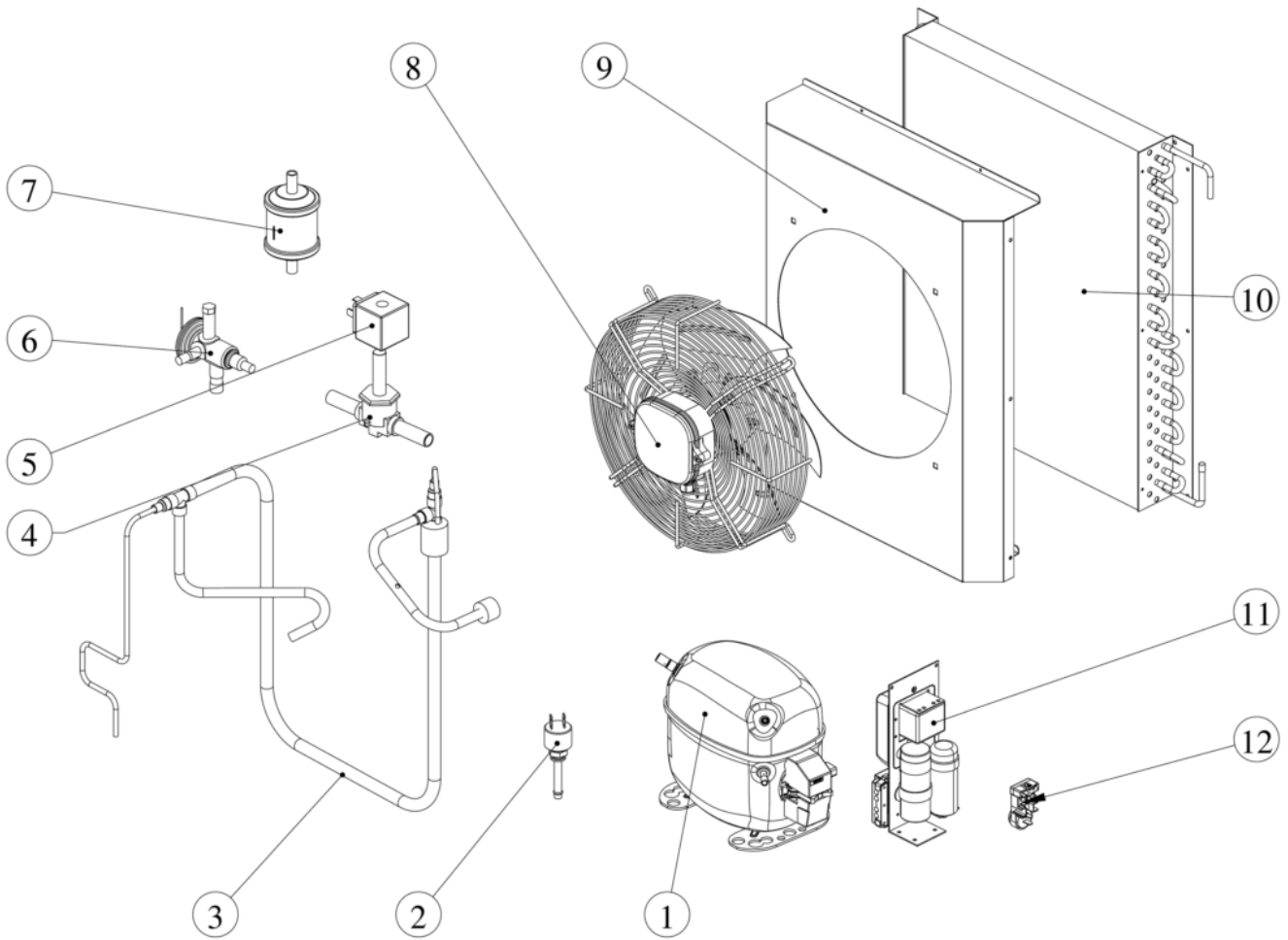
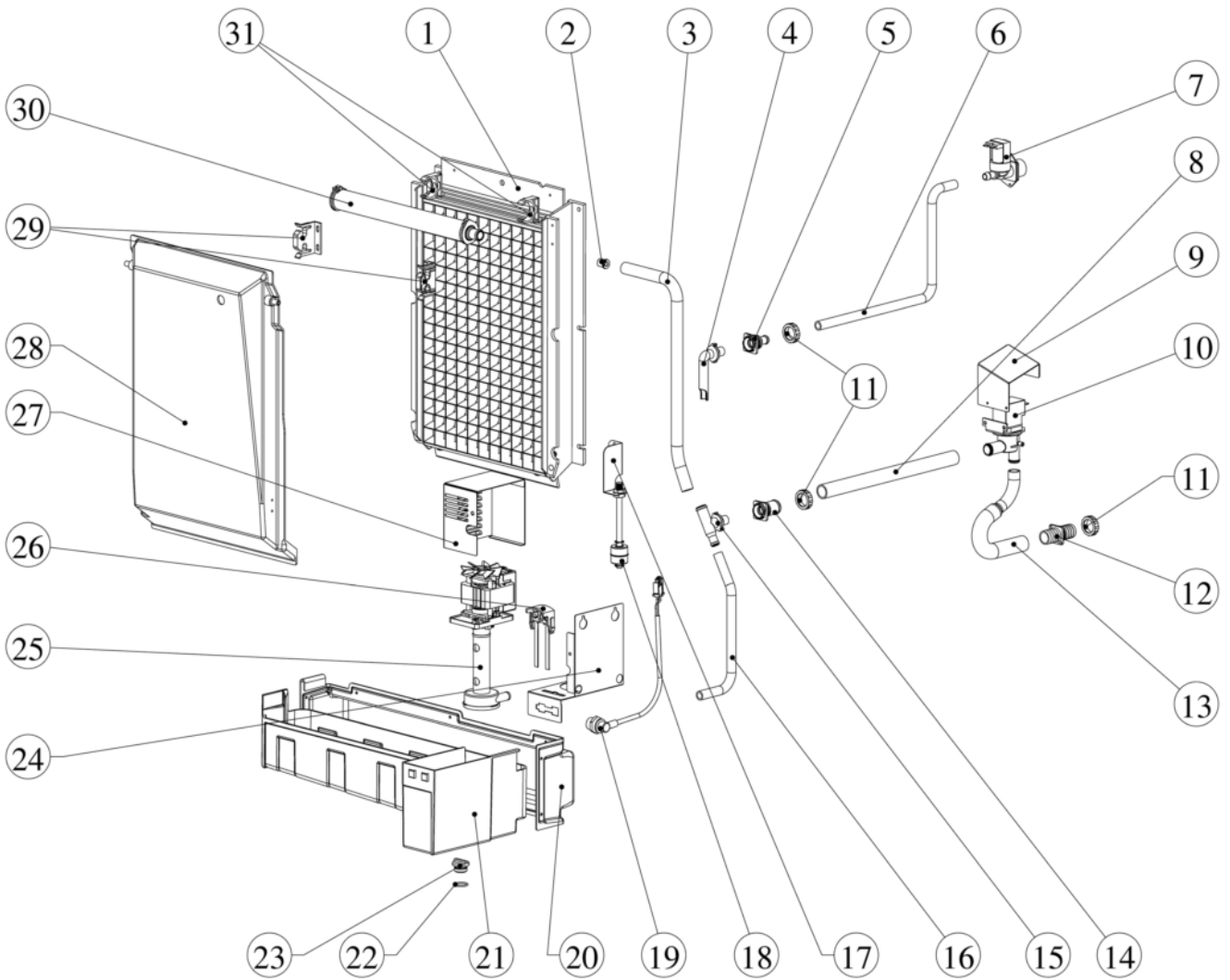


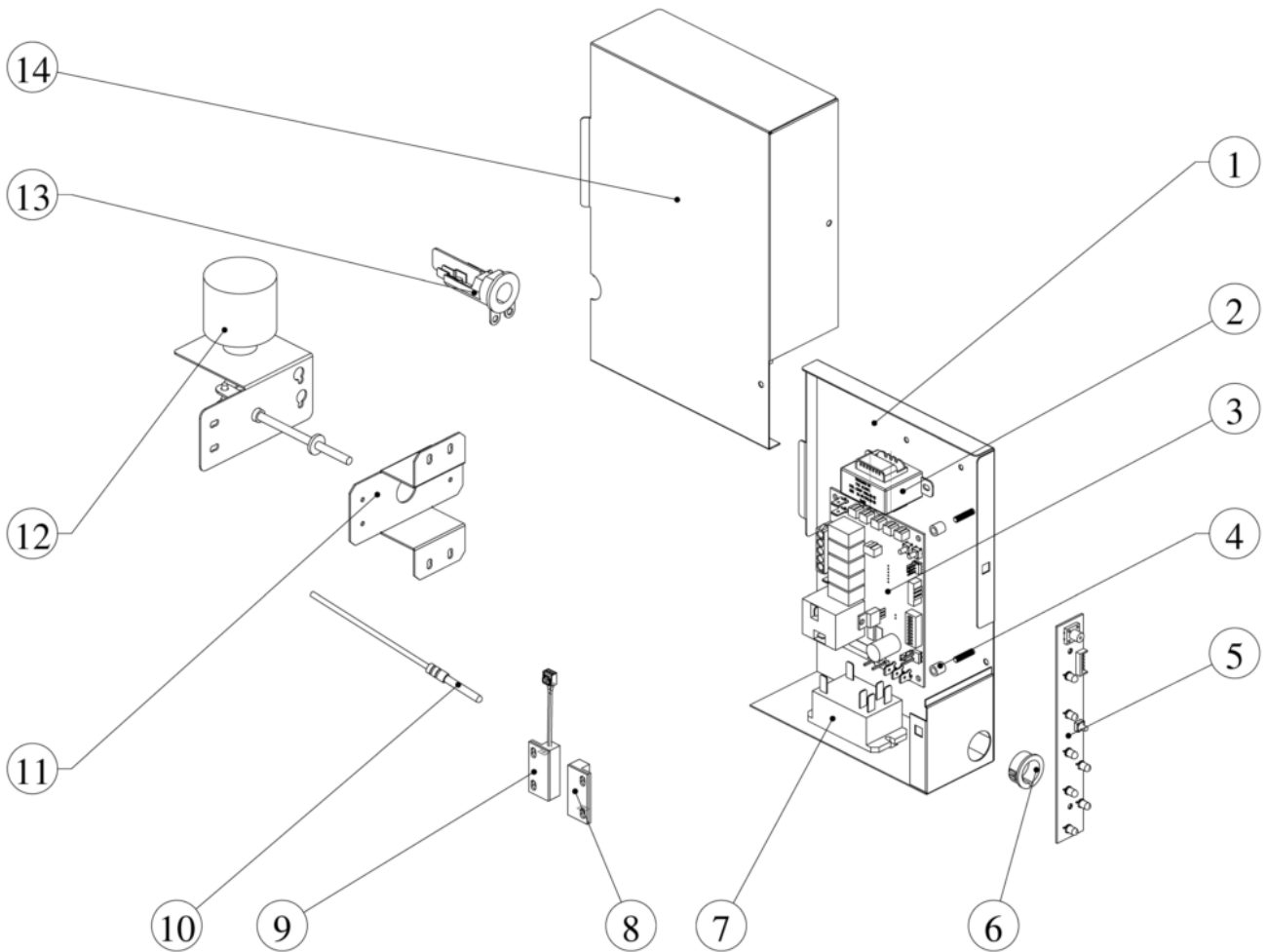
Pos	Code	Description
0001	SCSC 91000121-10	FRONT PANEL W/ PLASTIC BACK PANEL
0002	SCSC 97000184-00	FRONT PANEL HINGE KIT 308/508
0003	SCSC 11000111-00	LEFT SIDE PANEL NW 308-508
0006	SCSC 80000011-00	PROTECTION
0007	SCSC 41000038-01	PLASTIC SHUTTER
0008	SCSC 80000019-00	AIR FILTER
0012	SCSC 11000088-00	RIGHT SIDE PANEL NW 308-508
0015	SCSC 41000008-00	LED CARD HOLDER
0016	SCSC 98020201-02	MONITORING LED LABEL - NW series



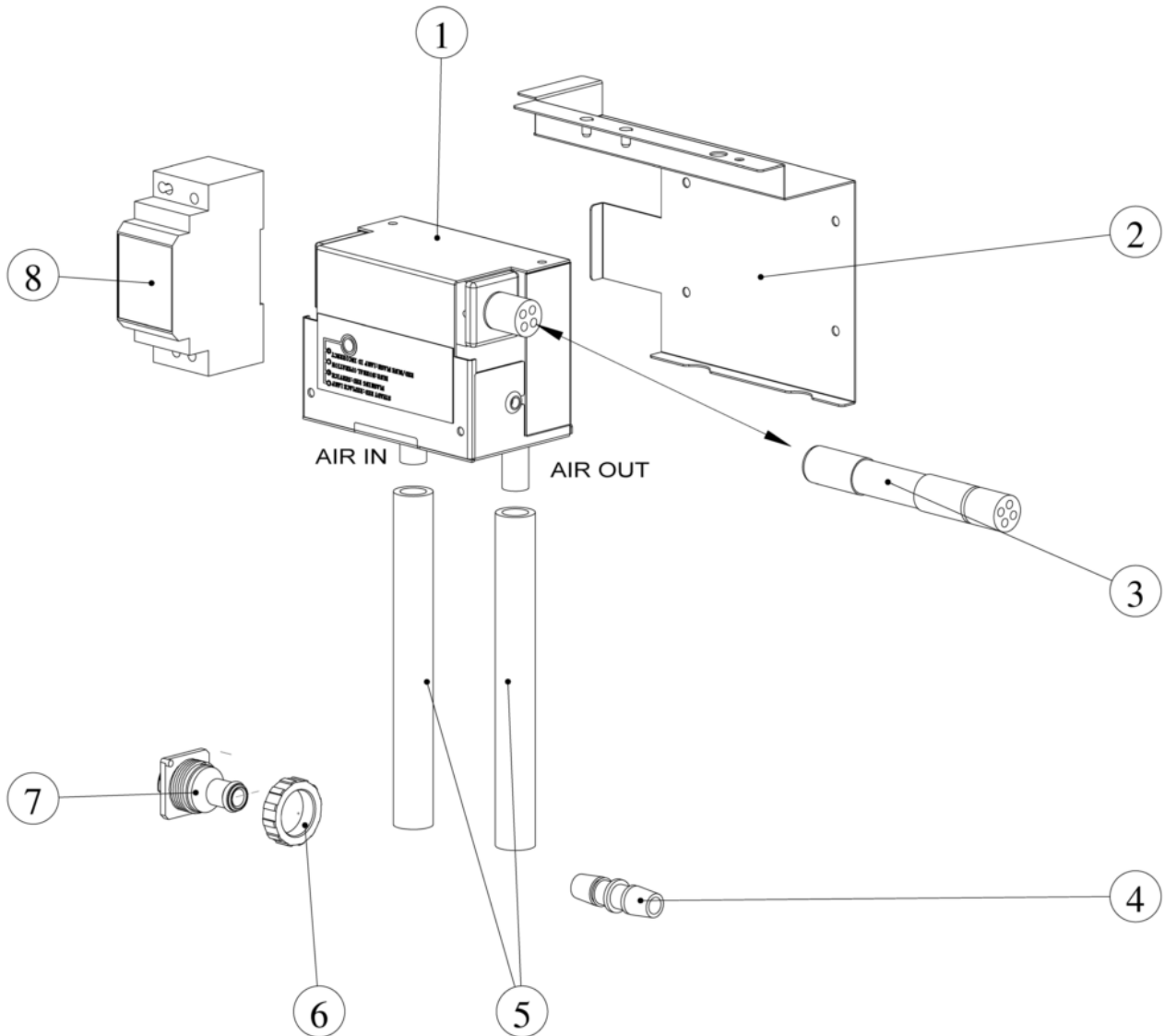
Pos	Code	Description
0001	SCSC 81000112-00	COMPRESSOR - 230/50/1
0002	SCSC 19550628-00	HI PRESSURE CTRL
0004	SCSC 81000114-00	HOT GAS VALVE
0005	SCSC 81000158-00	TXV
0006	SCCM 25410096	TXV INSULATION
0006	SCSC 81000158-00	TXV
0007	SCSC 19300357-00	DRIER
0008	SCSC 81000116-00	FAN MOTOR ASSY
0010	SCSC 81000101-00	AIR CONDENSER NW507
0011	SCSC 81000160-00	PROTECTOR 230/50/1
0012	SCSC 30000098-00	STARTING RELAY AND CAPACITOR ASSY



Pos	Code	Description
0001	SCSC 93000056-10	EVAPORATOR DICE
0010	SCSC 82000017-99	WATER PROOF DRAIN VALVE 230 V
0011	SCSC 66053500-00	PLASTIC NUT
0012	SCSC 41000007-00	WATER DRAIN FITTING
0015	SCSC 41000100-00	T CONNECTOR
0017	SCSC 11000586-00	BRACKET for 22" models
0018	SCSC 95000004-00	WATER LEVEL SWITCH
0019	SCSC 31000040-00	WATER PUMP POWER CORD
0020	SCSC 41000049-00	WATER TANK BRACKET
0022	SCSC 87000001-00	O RING
0023	SCSC 41000005-00	DRAIN PLUG
0024	SCSC 11000340-00	WATER PUMP BRACKET
0025	SCSC 82000010-03	WATER PUMP - 230/50
0026	SCSC 97000092-10	WATER LEVEL SENSOR
0026	SCSC 99300311-01	WATER LEVEL SENSOR HARNESS
0027	SCSC 11000341-00	WATER PUMP COVER
0028	SCSC 94000010-10	ICE DEFLECTOR
0029	SCSC 25726473-00	ICE DEFLECTOR BRACKET
0030	SCSC 94000050-00	WATER DISTRIBUTOR 308
0031	SCSC 41000017-00	CLAMP



Pos	Code	Description
0002	SCSC 99020404-00	TRANSFORMER
0003	SCSC 98050101-00	PC BOARD
0005	SCSC 98050105-00	MONITORING LED ASSY
0006	SCSC 99200205-00	SNAP BUSHING
0007	SCSC 30000003-00	RELAY
0008	SCSC 98050102-00	MAGNET
0009	SCSC 98050103-00	MAGNET SWITCH
0010	SCSC 99020468-00	CONDENSER SENSOR
0012	SC12003060 22	HARVEST ASSIST MECH. 230V
0013	SC630107 01	CABLE HOLDER



Pos	Code	Description
0001	SC620649 00	OZONIZER XSAFE X-20
0002	SCSC 11000544-00	X20 HOLDER FOR 308/508
0003	SC630102 00	BULB FOR XSAFE X-20
0004	SCSC 41000118-00	OZONE AIR OUTLET CONNECTOR
0005	SC281822 02	PLASTIC HOSE - PER METER
0006	SCSC 66053500-00	PLASTIC NUT
0007	SCSC 41000097-00	AIR SLUFT UCTION CONNECTOR
0008	SCSC 30000102-00	DC12V TRANSFORMER
0009	SCSC 30000102-00	DC12V TRANSFORMER