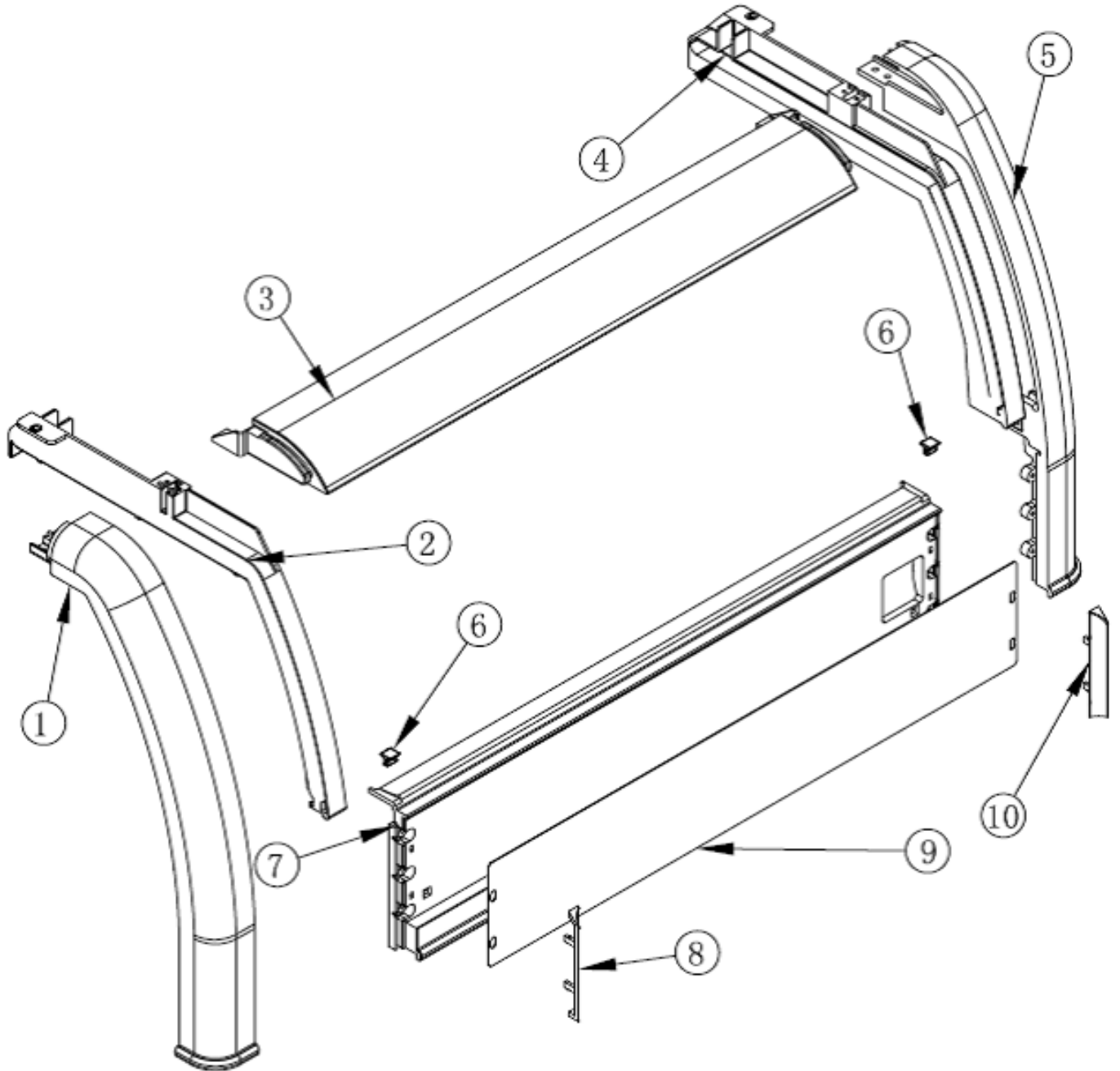
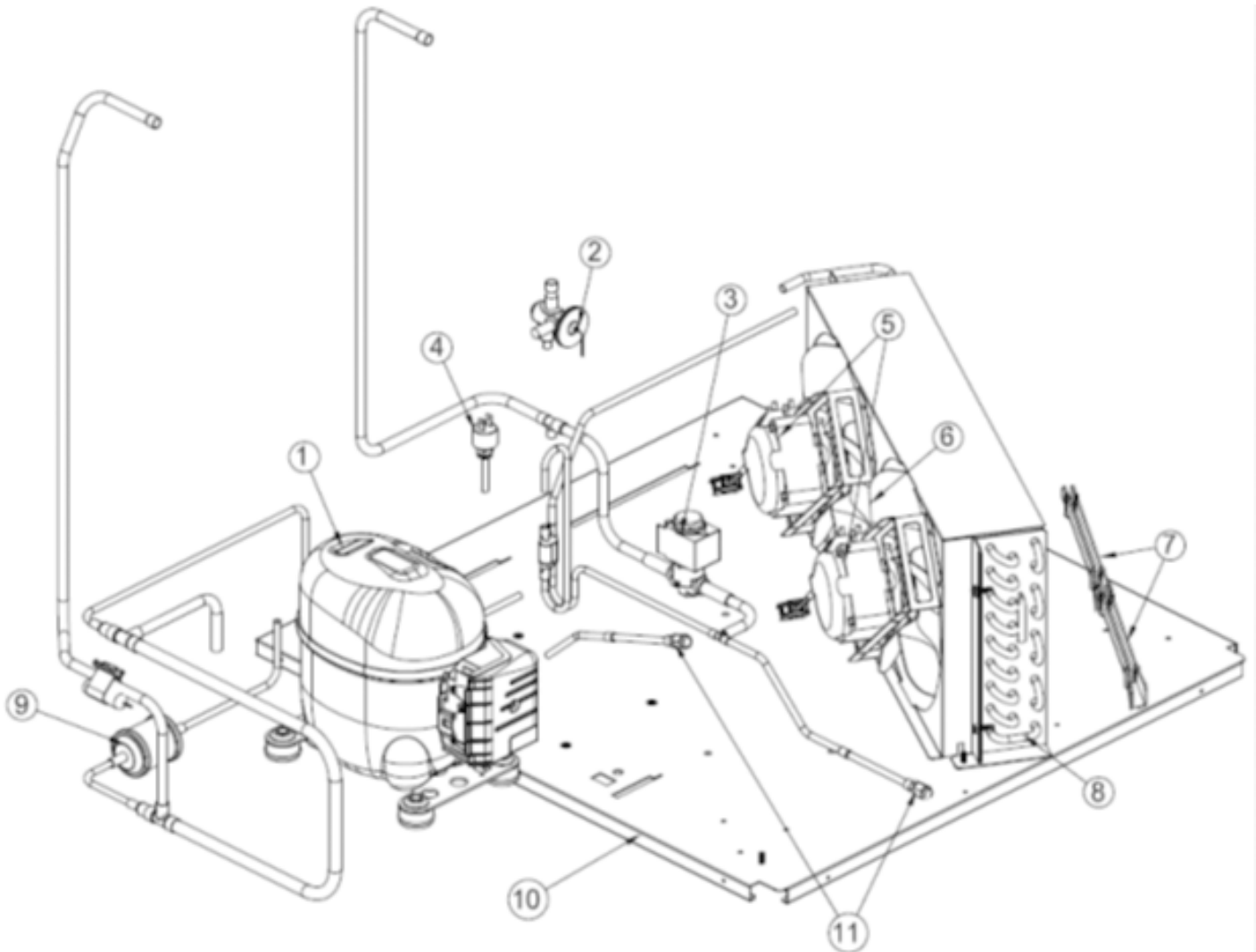


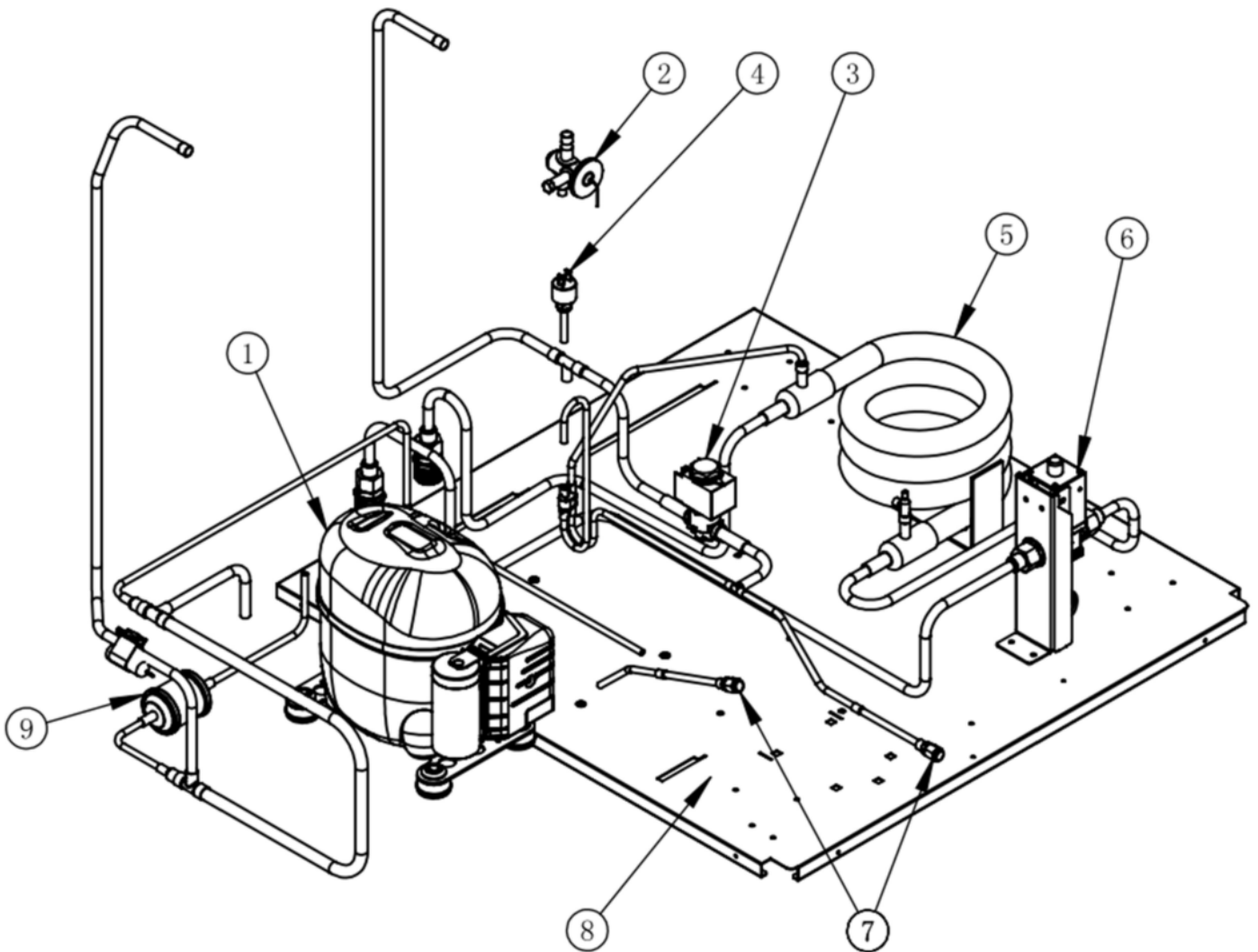
Pos	Code	Description
0001	SCSC 99300133-00	USE SCSC 97000224-00
0002	SCSC 99300221-00	INSULATION - REAR PANEL
0003	SCSC 99300134-00	TOP PANEL
0004	SCSC 99300213-00	TOP PANEL INSULATION
0005	SCSC 99300135-00	PLASTIC PROTECTION
0007	SCSC 99300121-10	RIGHT SIDE PANEL
0008	SCSC 99300118-10	LEFT SIDE PANEL
0009	SCSC 99200202-00	WATER SUMP
0010	SCSC 99300217-10	STORAGE BIN ASSY
0013	SC660286 00	BUSHING
0014	SCSC 99600200-01	BIN DOOR
0015	SCSC 99300136-00	
0017	SC620487 00	GREEN SWITCH
0018	SC620487 01	SWITCH
0019	SCSC 99300143-00	SWITCH HOLDER
0020	SCSC 99300129-00	DOOR FRAME HOLDER
0021	SC650923 00	ICE SCOOP
0022	SCSC 99300142-00	ICE SCOOP HOLDER
0023	SC650850 00	SCOTSMAN EMBLEM
0024	SCSC 99300405-01	MODEL LABEL - GREY
0025	SCSC 66082900-01	FRONT SWITCH PLASTIC PROTECTION
0026	SCSC 99300215-01	AIR FILTER SEAT
0027	SCSC 99300220-01	AIR FILTER - GREY
0028	SCSC 11000259-00	
0028	SCSC 99300132-00	FRONT PANEL
0029	SCSC 99031301-00	LEG - SHORT
0030	SCSC 87000002-00	LEGS KIT
0031	SCSC 87000002-00	LEGS KIT
0032	SCSC 87000002-00	LEGS KIT
0033	SC660211 01	DRAIN FILTER
0034	SC640134 00	O RING
0035	SC660219 01	BIN DRAIN



Pos	Code	Description
0001	SCSC 66083201-01	LEFT SIDE DOOR FRAME
0002	SCSC 66078401-01	Door Frame Left Sliding Chute
0003	SCSC 99300207-01	UPPER DOOR FRAME
0004	SCSC 66078400-01	DOOR FRAME RIGHT SLIDING CHUTE
0005	SCSC 66083200-01	RIGHT SIDE DOOR FRAME
0006	SCSC 66081600-00	NULL
0008	SCSC 66083701-01	DOOR FRAME, LEFT SIDE
0009	SCSC 99300131-00	S.S. FRONT PLATE
0010	SCSC 66083700-01	Door Frame Right Decorative Plastic Part
0011	SCSC 99300130-00	

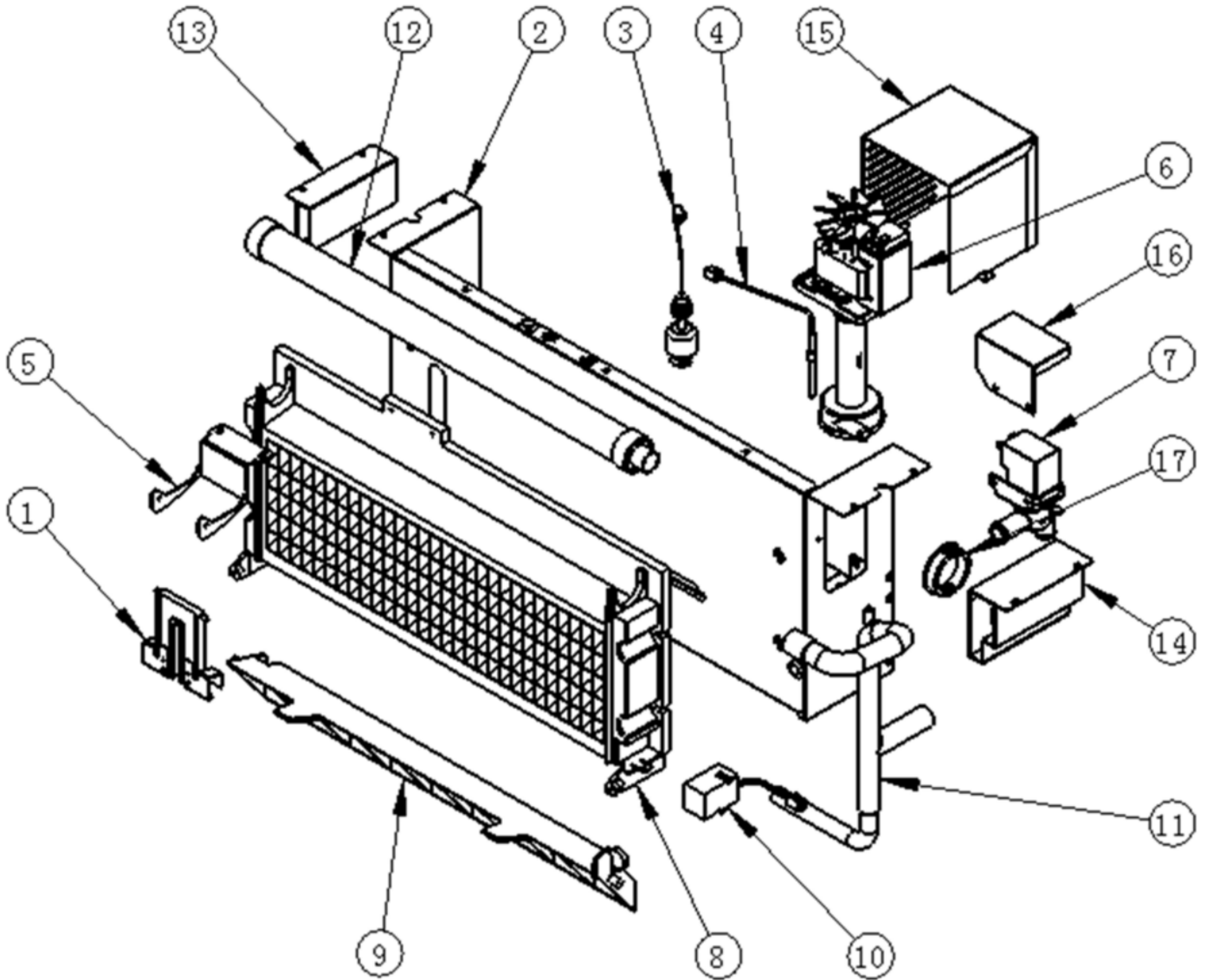


Pos	Code	Description
0001	SC620167 00	START.CAP. - 8640162
0001	SCSC 30000044-00	
0001	SCSC 30000045-00	
0001	SCSC 30000046-00	
0001	SCSC 30000047-00	
0001	SCSC 30000048-00	
0001	SCSC 30000049-00	
0001	SCSC 81000051-00	
0001	SCSC 81000052-99	USE SC670106 16
0001	SCSC 99300610-00	COMPRESSOR
0002	SCSC 99300605-00	TXV
0003	SCSC 19863034-01R	HOT GAS VALVE ASSY 10MM ODS
0004	SCCM 19550628	HIGH PRESSURE SAFETY SWIT
0005	SCSC 99300612-00	MOTOR - 230/50-60
0006	SCSC 99200608-00	FAN BLADE
0007	SCSC 66081700-01	AIR FILTER SLIDER
0008	SCSC 99300604-00	AIR COOLED CONDENSER
0009	SCCM 19300357	DRIER
0011	SC650106 00	CAP
0011	SC650109 00	VALVE BODY
0011	SC670012 00	VALVE CORE

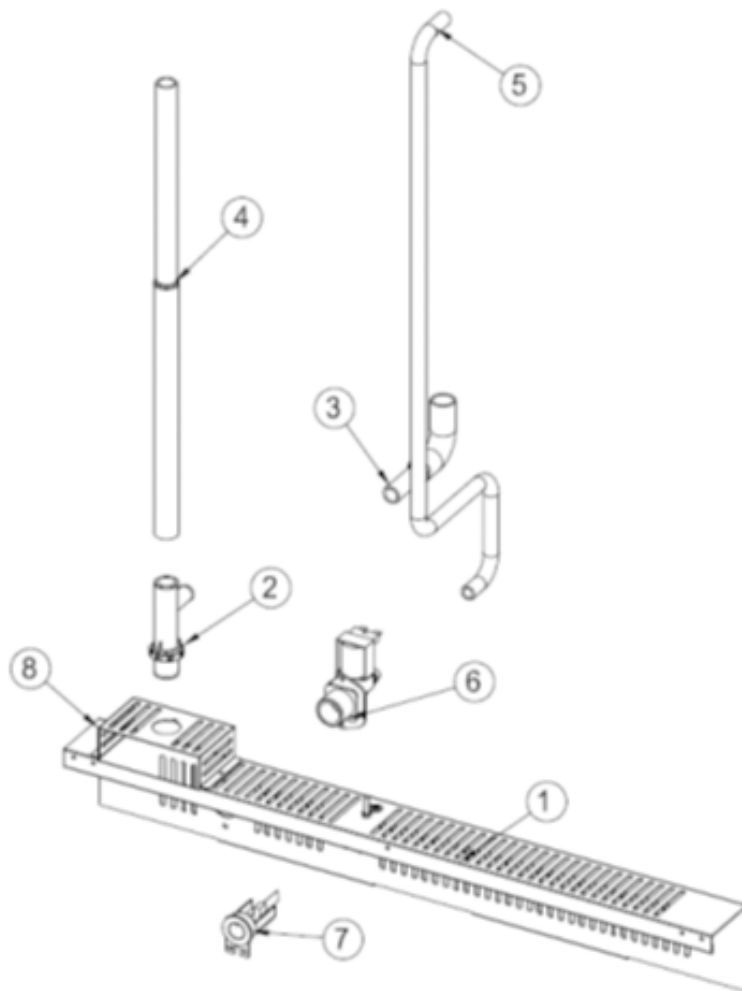


Pos	Code	Description
0001	SC620167 00	START.CAP. - 8640162
0001	SCSC 30000044-00	
0001	SCSC 30000045-00	
0001	SCSC 30000046-00	
0001	SCSC 30000047-00	
0001	SCSC 30000048-00	
0001	SCSC 30000049-00	
0001	SCSC 81000051-00	
0001	SCSC 81000052-99	USE SC670106 16
0001	SCSC 99300610-00	COMPRESSOR
0002	SCSC 99300605-00	TXV
0003	SCSC 19863034-01R	HOT GAS VALVE ASSY 10MM ODS
0004	SCCM 19550628	HIGH PRESSURE SAFETY SWIT
0005	SCSC 81000054-00	WATER COOLED CONDENSER
0006	SCSC 94000019-10	WATER REGULATING VALVE
0007	SC650106 00	CAP
0007	SC650109 00	VALVE BODY
0007	SC670012 00	VALVE CORE
0009	SCSC 19300357-00	DRIER

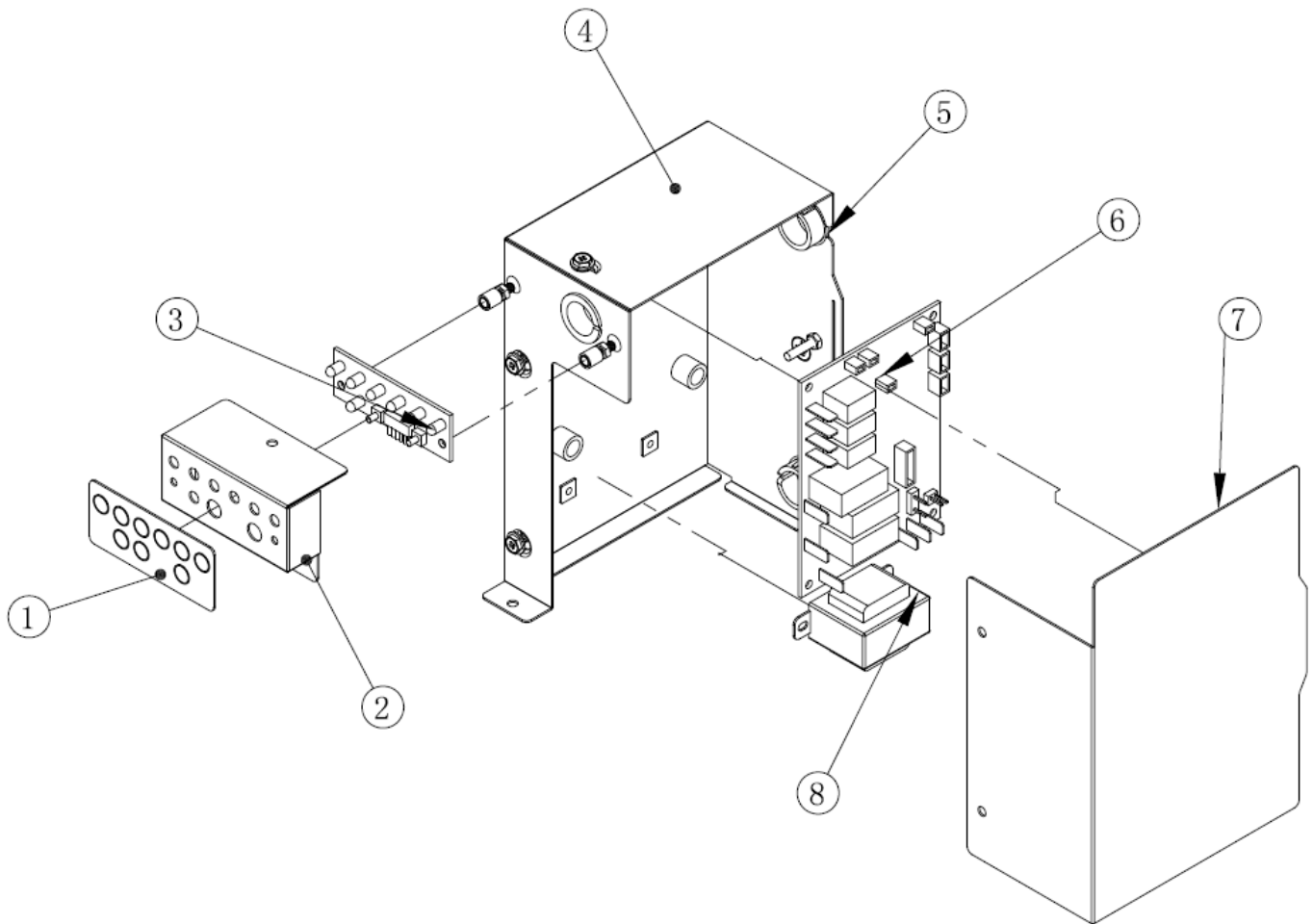




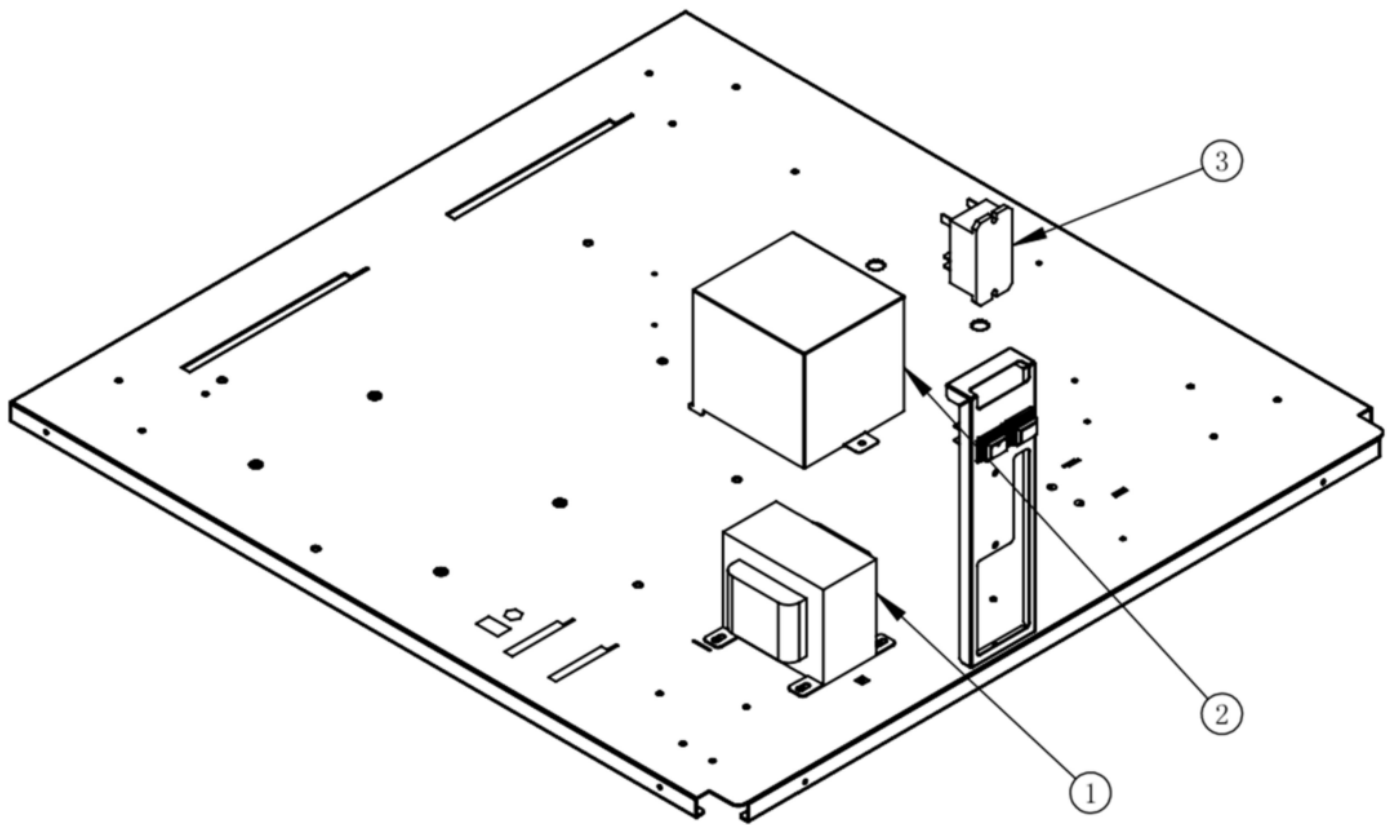
Pos	Code	Description
0001	SCSC 3000059-00	ICE THICKNESS SENSOR
0002	SCSC 99300127-00	EVAPORATOR SUPPORT BRACKET
0003	SCSC 3000057-00	WATER LEVEL SENSOR
0004	SCSC 99300306-00	WATER TEMPERATURE SENSOR
0005	SCSC 11000269-00	ICE THICKNESS SENSOR HOLDER
0006	SCSC 62043300-02	WATER PUMP
0006	SCSC 62043301-02	WATER PUMP - 230/60
0007	SC11000564 02	USE SCSC 82000017-99
0008	SCSC 81000039-00	EVAPORATOR - LARGE
0008	SCSC 81000039-01	EVAPORATOR - HALF LARGE
0008	SCSC 81000062-00	EVAPORATOR
0009	SCSC 99020801-00	ICE DROP PLATE
0010	SCSC 99300310-00	BIN FULL SENSOR
0011	SCSC 22000020-01	HOSE
0012	SCSC 99020601-00	WATER DISTRIBUTOR - USE SCSC 94000042-00
0016	SCSC 11000309-00	PURGE VALVE COVER
0017	SCSC 30000008-00	



Pos	Code	Description
0001	SCSC 99300116-00	WATER HOOK UP
0002	SC660224 00	TEE TUBE
0003	SCSC 99300749-00	DRAIN HOSE
0004	SCSC 99300747-00	DRAIN CONNECTION BRACKET
0005	SCSC 99300748-00	WATER INLET HOSE
0006	SC650105 52	WATER INLET VALVE
0007	SC630107 01	CABLE HOLDER
0008	SCSC 99300128-00	



Pos	Code	Description
0001	SCSC 70000031-00	DISPLAY CARD
0002	SCSC 99200110-00	COVER
0003	SCSC 30000058-00	DISPLAY BOARD
0004	SCSC 99200108-00	CONTROL BOX REAR PANEL
0006	SCSC 98050101-00	PC BOARD
0006	SCSC 99020468-00	CONDENSER SENSOR
0007	SCSC 99200109-00	CONTROL BOX COVER
0008	SCSC 99020404-00	TRANSFORMER



Pos	Code	Description
0001	SCSC 30000012-00	TRANSFORMER FOR 110V/60HZ
0003	SCSC 30000003-00	RELAY