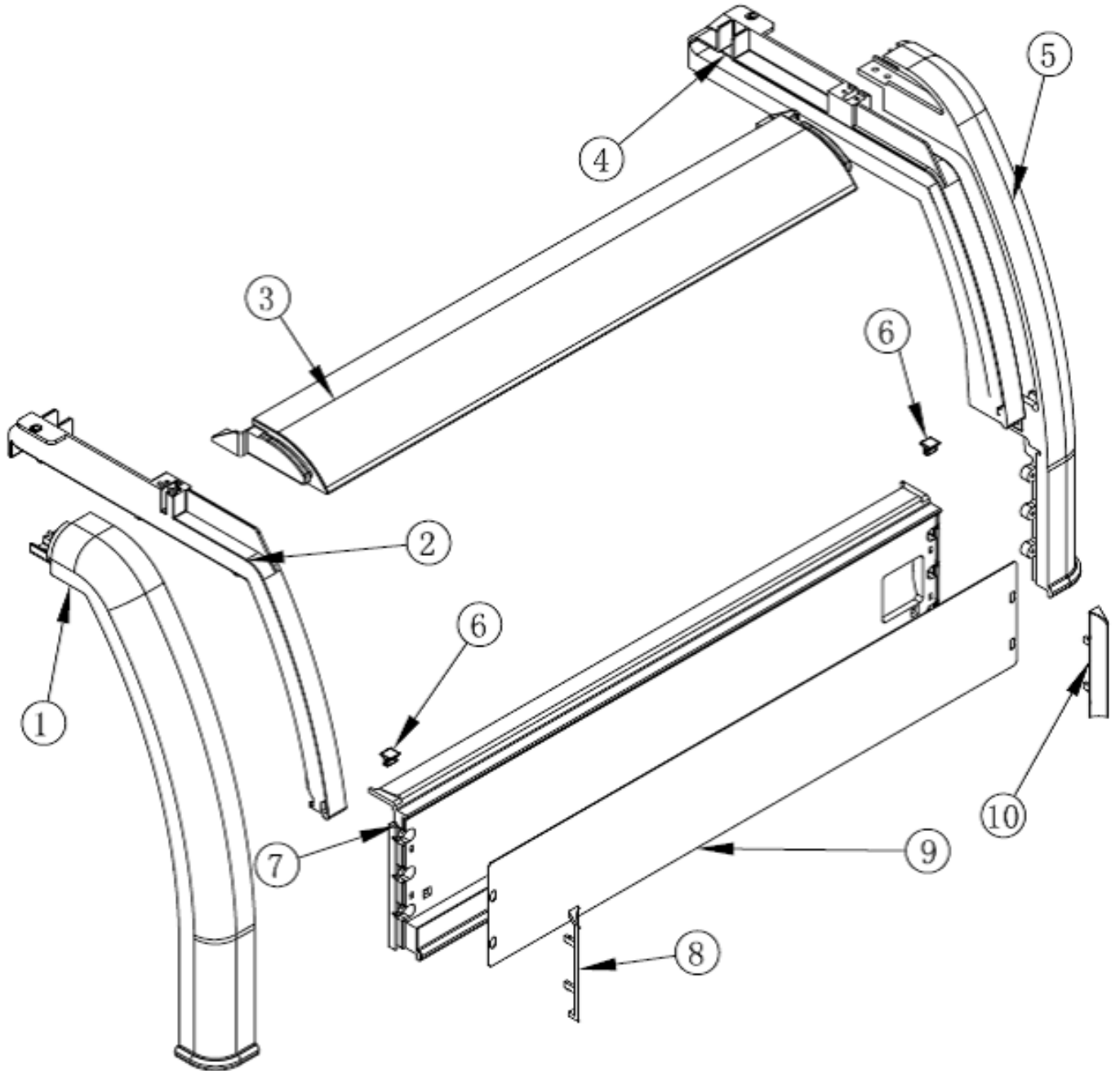
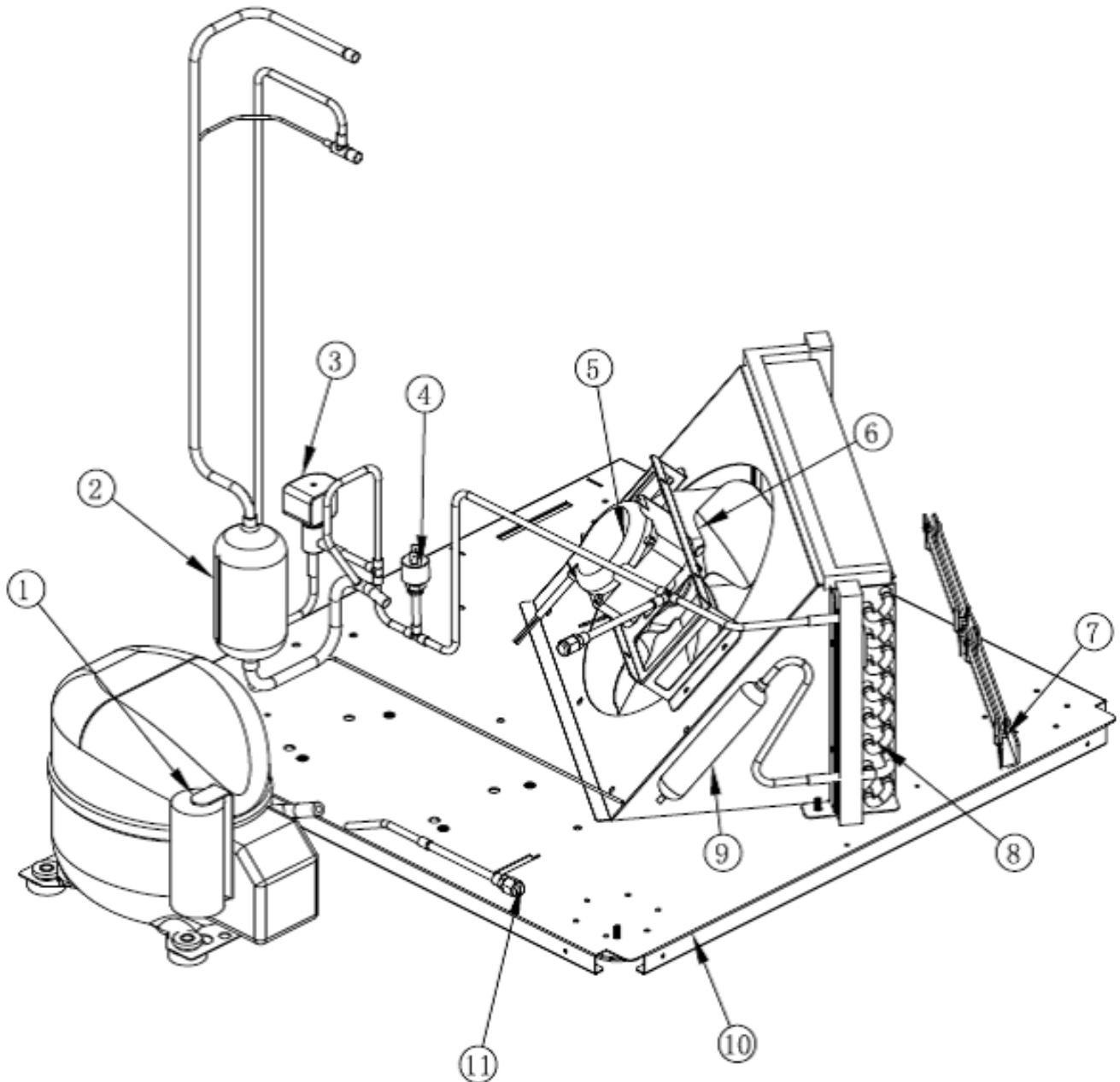


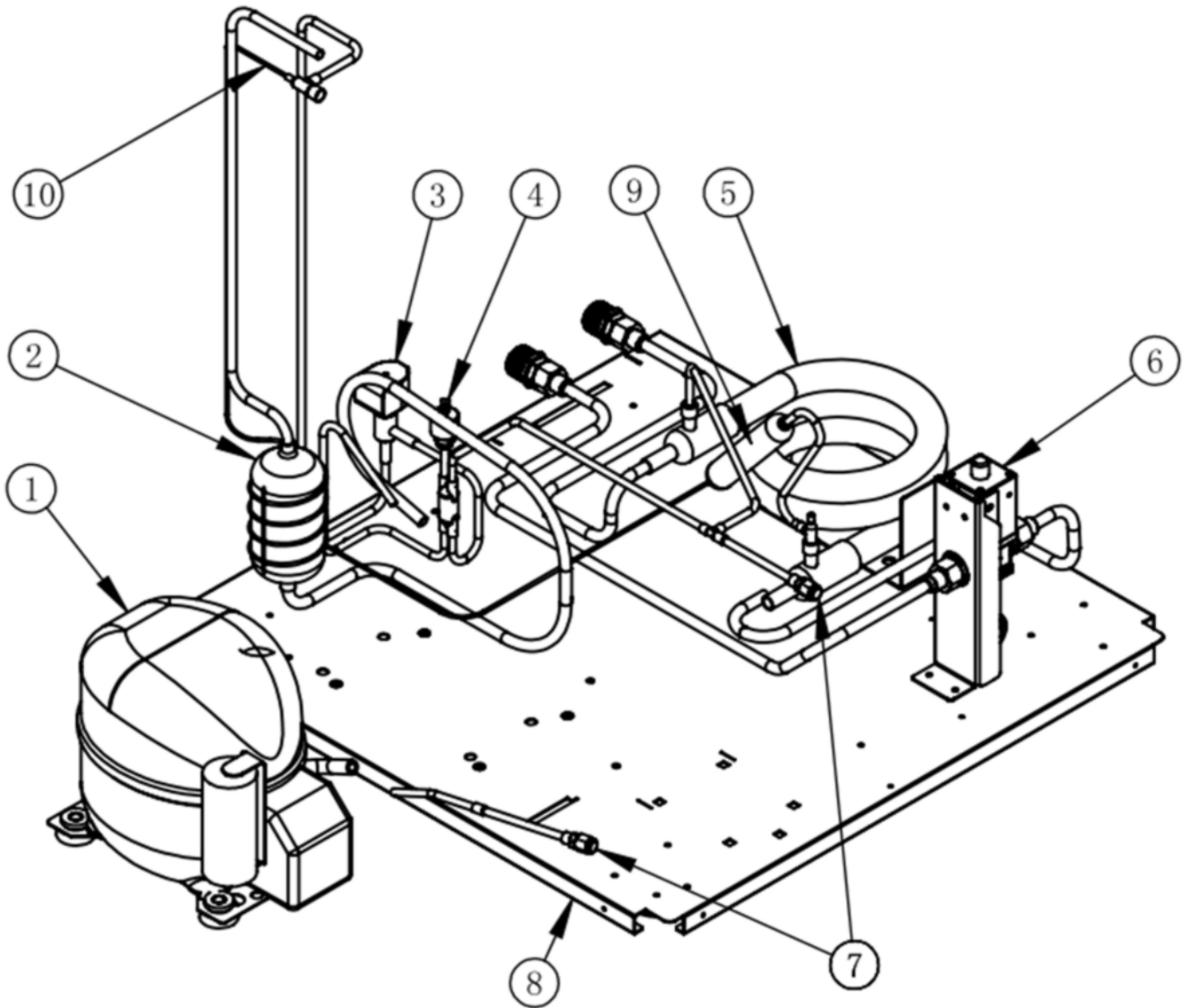
Pos	Code	Description
0001	SCSC 99300102-00	REAR PANEL
0002	SCSC 99300201-00	INSULATION - REAR PANEL
0003	SCSC 99300103-00	TOP PANEL
0004	SCSC 99300216-00	INSULATION - TOP PANEL
0005	SCSC 99300124-00	PLASTIC PROTECTION
0006	SCSC 99300202-00	INSULATION - SIDE PANEL
0007	SCSC 99300104-10	RIGHT SIDE PANEL
0008	SCSC 99300105-10	LEFT SIDE PANEL
0009	SCSC 99200202-00	WATER SUMP
0010	SCSC 99300212-10	STORAGE BIN
0013	SC660286 00	BUSHING
0014	SCSC 99600201-01	BIN DOOR ASSY
0015	SCSC 99300106-00	
0017	SC620487 00	GREEN SWITCH
0018	SC620487 01	SWITCH
0019	SCSC 99300112-00	SWITCH HOLDER
0020	SCSC 99300110-00	
0021	SC650071 00	SCOOP
0022	SCSC 99300120-00	SCOOP HOLDER
0023	SC650850 00	SCOTSMAN EMBLEM
0024	SCSC 99300401-01	NU 100 LABEL
0025	SC660829 00	FRONT SWITCH PLASTIC PROT
0026	SCSC 99300215-01	AIR FILTER SEAT
0027	SCSC 99300220-01	AIR FILTER - GREY
0028	SCSC 99300101-00	FRONT PANEL
0029	SCSC 99031301-00	LEG - SHORT
0030	SCSC 87000002-00	LEGS KIT
0031	SCSC 87000002-00	LEGS KIT
0032	SCSC 87000002-00	LEGS KIT
0033	SC660211 01	DRAIN FILTER
0034	SC640134 00	O RING
0035	SC660219 01	BIN DRAIN



Pos	Code	Description
0001	SCSC 66083201-01	LEFT SIDE DOOR FRAME
0002	SCSC 66078401-01	Door Frame Left Sliding Chute
0003	SCSC 99300205-01	UPPER DOOR FRAME - GREY
0004	SCSC 66078400-01	DOOR FRAME RIGHT SLIDING CHUTE
0005	SCSC 66083200-01	RIGHT SIDE DOOR FRAME
0006	SCSC 66081600-00	NULL
0007	SCSC 99300209-01	BOTTOM DOOR FRAME
0008	SCSC 66083701-01	DOOR FRAME, LEFT SIDE
0009	SCSC 99300107-00	S.S. FRONT LINER
0010	SCSC 66083700-01	Door Frame Right Decorative Plastic Part

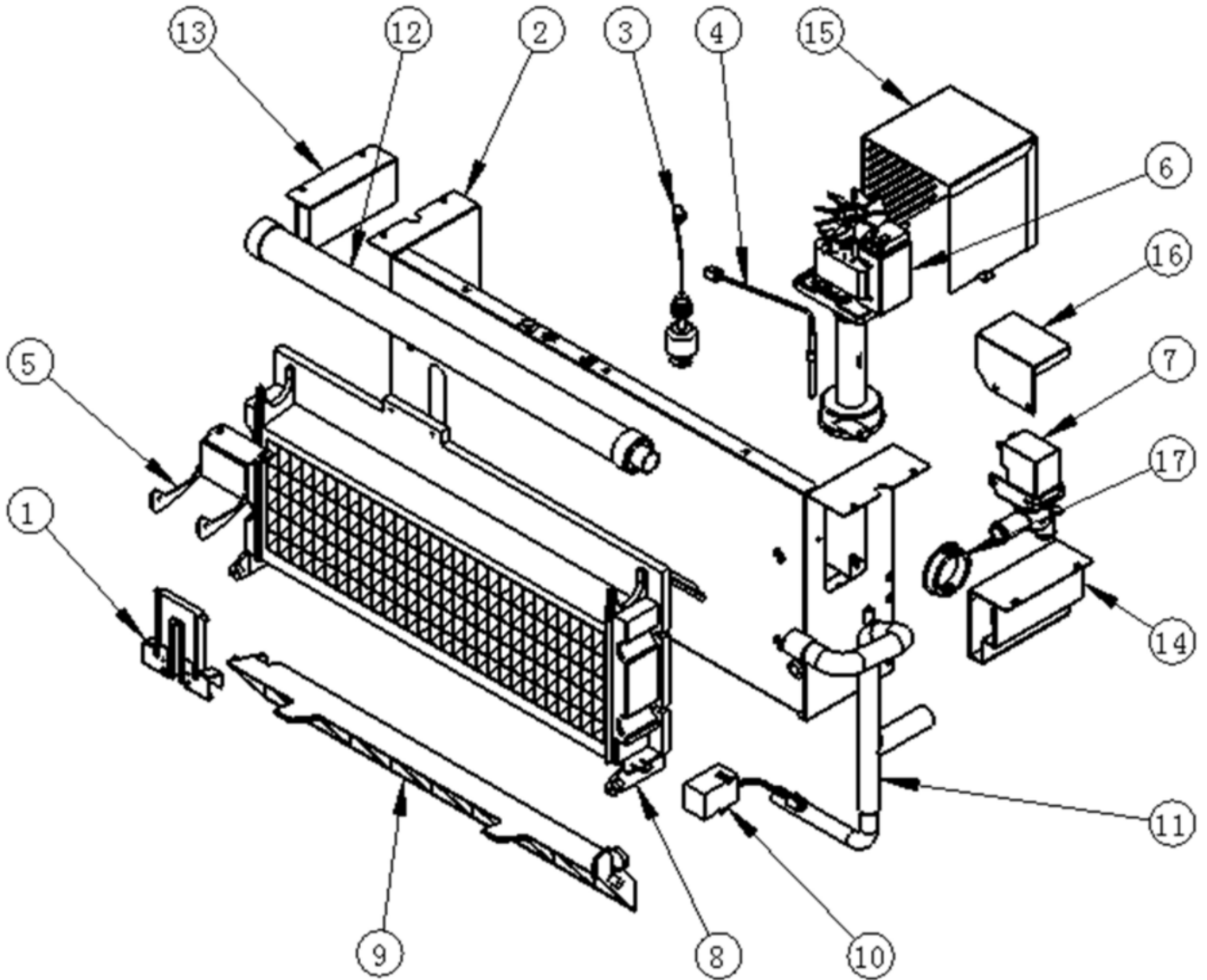


Pos	Code	Description
0001	SCSC 81000031-00	RELAY
0001	SCSC 81000032-00	CAPACITOR
0001	SCSC 81000050-00	
0001	SCSC 99300601-00	COMPRESSOR
0002	SCSC 99200600-00	ACCUMULATOR
0003	SCSC 99021201-00	HOT GAS VALVE
0004	SCCM 19550628	HIGH PRESSURE SAFETY SWIT
0006	SCSC 99300600-00	FAN BLADE
0007	SCSC 66081700-01	AIR FILTER SLIDER
0008	SCSC 99200601-00	AIR COOLED CONDENSER
0009	SC630003 03	FILTER
0011	SC650106 00	CAP
0011	SC650109 00	VALVE BODY
0011	SC670012 00	VALVE CORE

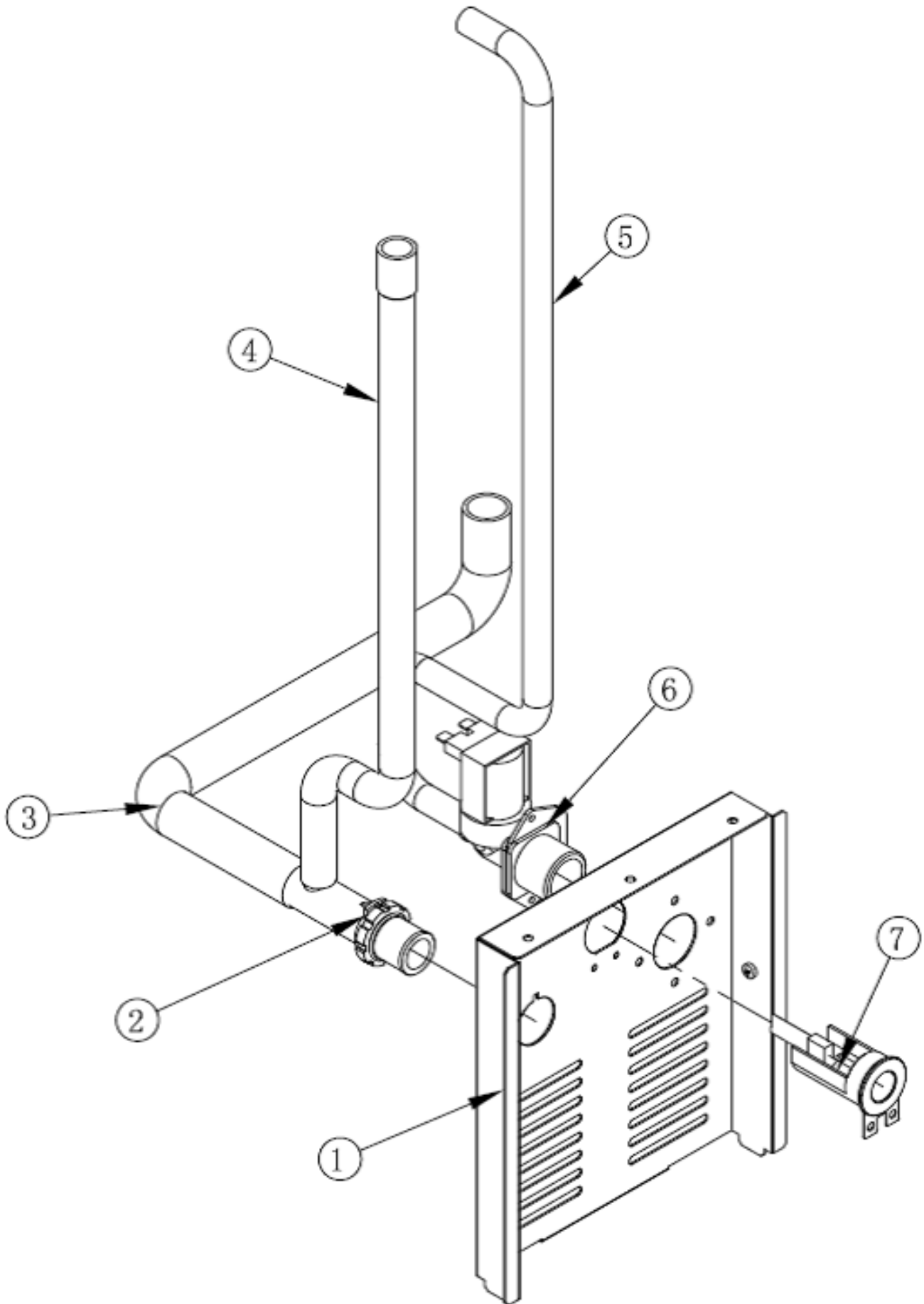


Pos	Code	Description
0001	SCSC 30000041-00	
0001	SCSC 81000031-00	RELAY
0001	SCSC 81000032-00	CAPACITOR
0001	SCSC 81000050-00	
0001	SCSC 99300601-00	COMPRESSOR
0002	SCSC 99200600-00	ACCUMULATOR
0003	SCSC 99021201-00	HOT GAS VALVE
0004	SCCM 19550628	HIGH PRESSURE SAFETY SWIT
0005	SCSC 81000053-00	WATER COOLED CONDENSER
0006	SCSC 94000019-10	WATER REGULATING VALVE
0007	SC650106 00	CAP
0007	SC650109 00	VALVE BODY
0007	SC670012 00	VALVE CORE
0009	SC630003 03	FILTER

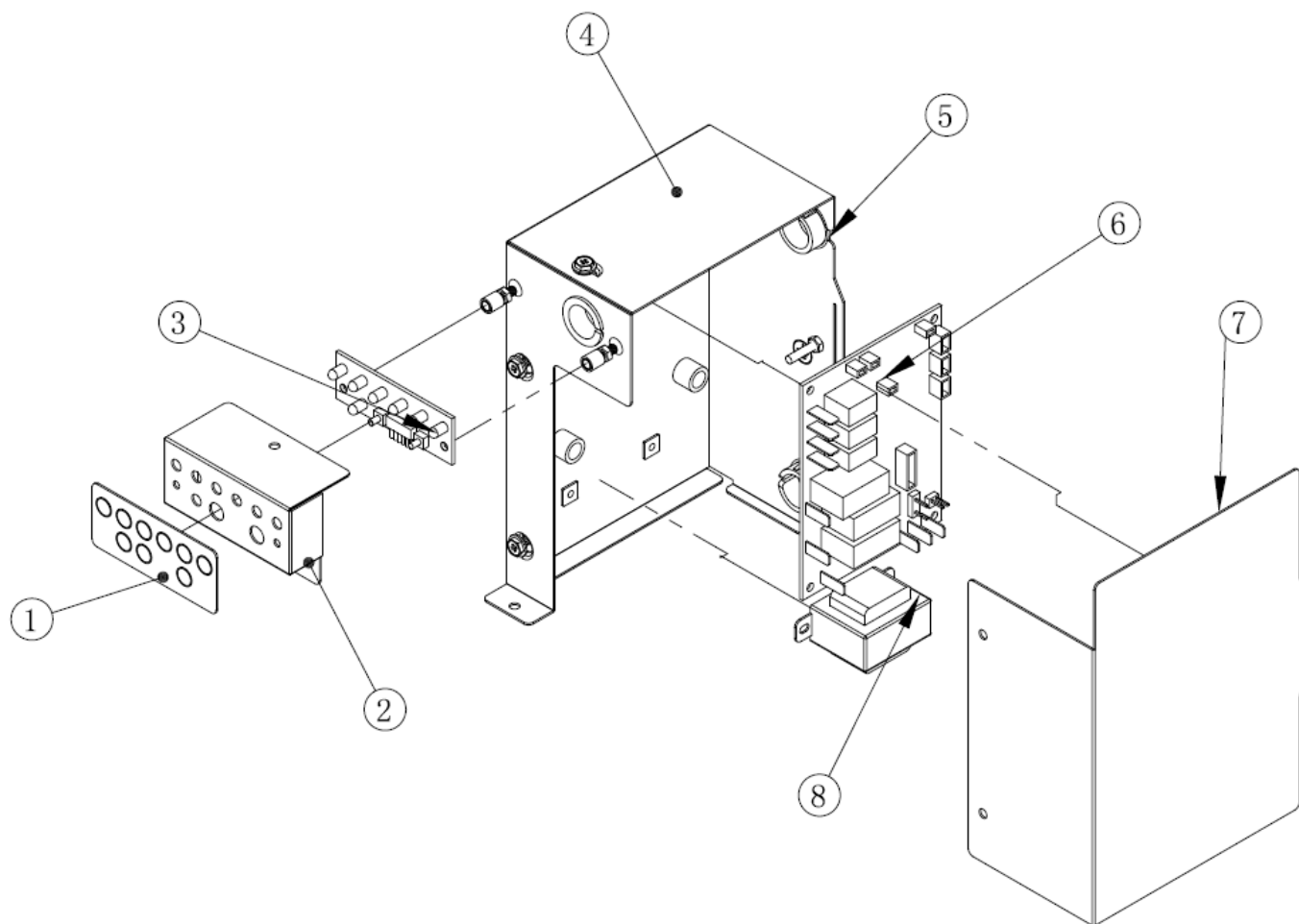




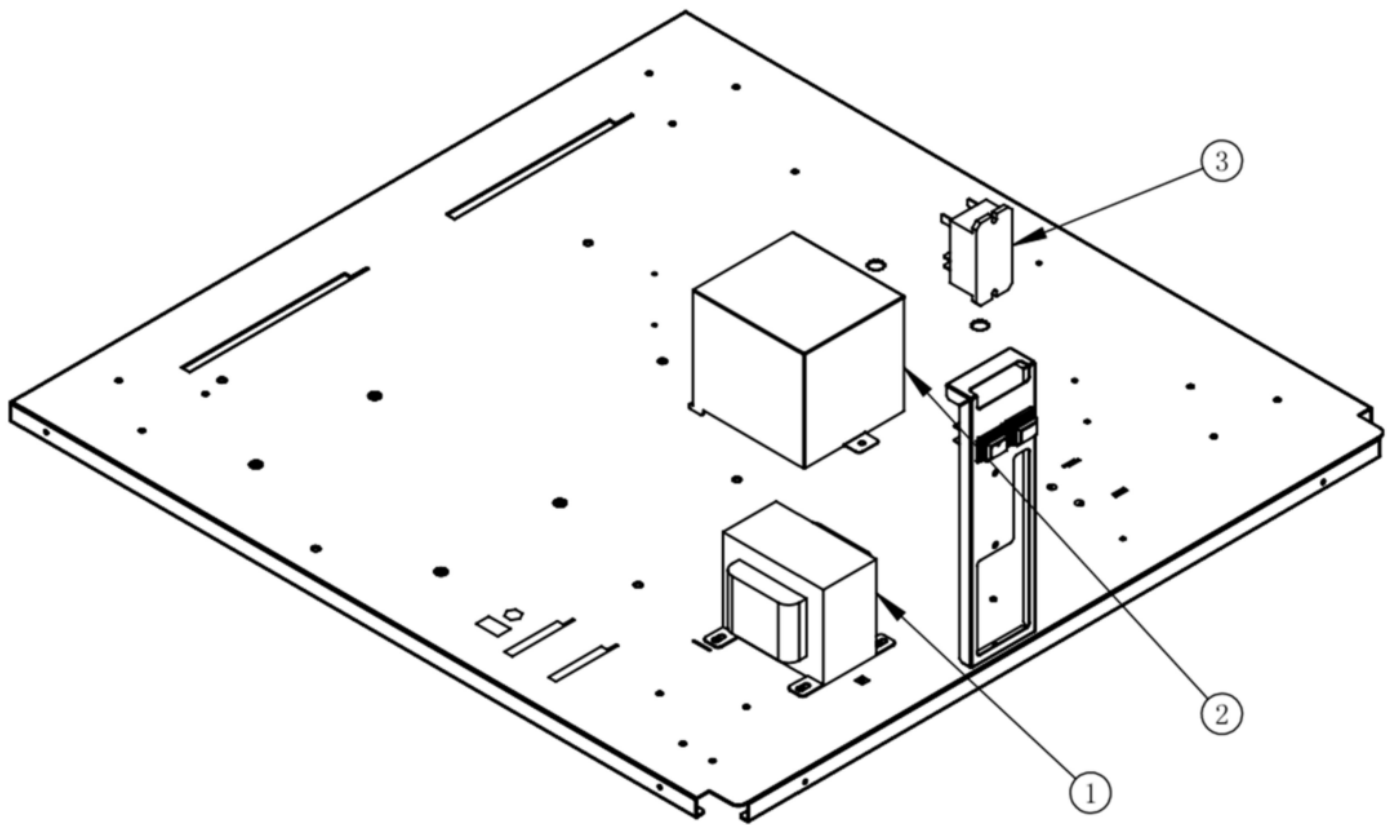
Pos	Code	Description
0001	SCSC 3000059-00	ICE THICKNESS SENSOR
0002	SCSC 99300117-00	
0003	SCSC 3000057-00	WATER LEVEL SENSOR
0004	SCSC 99300306-00	WATER TEMPERATURE SENSOR
0005	SCSC 11000290-00	ICE THICKNESS SENSOR HOLDER
0006	SCSC 62043300-02	WATER PUMP
0006	SCSC 62043301-02	WATER PUMP - 230/60
0007	SC11000564 02	USE SCSC 82000017-99
0008	SCSC 81000037-00	EVAPORATOR - LARGE
0008	SCSC 81000037-01	EVAPORATOR - HALF LARGE
0008	SCSC 99020511-00	EVAPORATOR FD
0009	SCSC 99020805-00	ICE DROP PLATE
0010	SCSC 99300310-00	BIN FULL SENSOR
0011	SCSC 22000020-01	HOSE
0012	SCSC 99020606-00	WATER DISTRIBUTOR- USE SCSC 94000043-00
0014	SCSC 91000072-10	RIGHT SIDE BRACKET
0016	SCSC 11000309-00	PURGE VALVE COVER
0017	SCSC 30000008-00	



Pos	Code	Description
0001	SCSC 99300109-00	
0002	SC660224 00	TEE TUBE
0003	SCSC 99300703-00	
0004	SCSC 99300700-00	OVERFLOW DRAIN HOSE
0005	SCSC 99300716-00	WATER INLET HOSE
0006	SC650105 52	WATER INLET VALVE
0007	SC630107 01	CABLE HOLDER



Pos	Code	Description
0001	SCSC 70000031-00	DISPLAY CARD
0002	SCSC 99200110-00	COVER
0003	SCSC 30000058-00	DISPLAY BOARD
0004	SCSC 99200108-00	CONTROL BOX REAR PANEL
0006	SCSC 98050101-00	PC BOARD
0006	SCSC 99020468-00	CONDENSER SENSOR
0007	SCSC 99200109-00	CONTROL BOX COVER
0008	SCSC 99020404-00	TRANSFORMER



Pos	Code	Description
0001	SCSC 30000012-00	TRANSFORMER FOR 110V/60HZ
0003	SCSC 30000003-00	RELAY