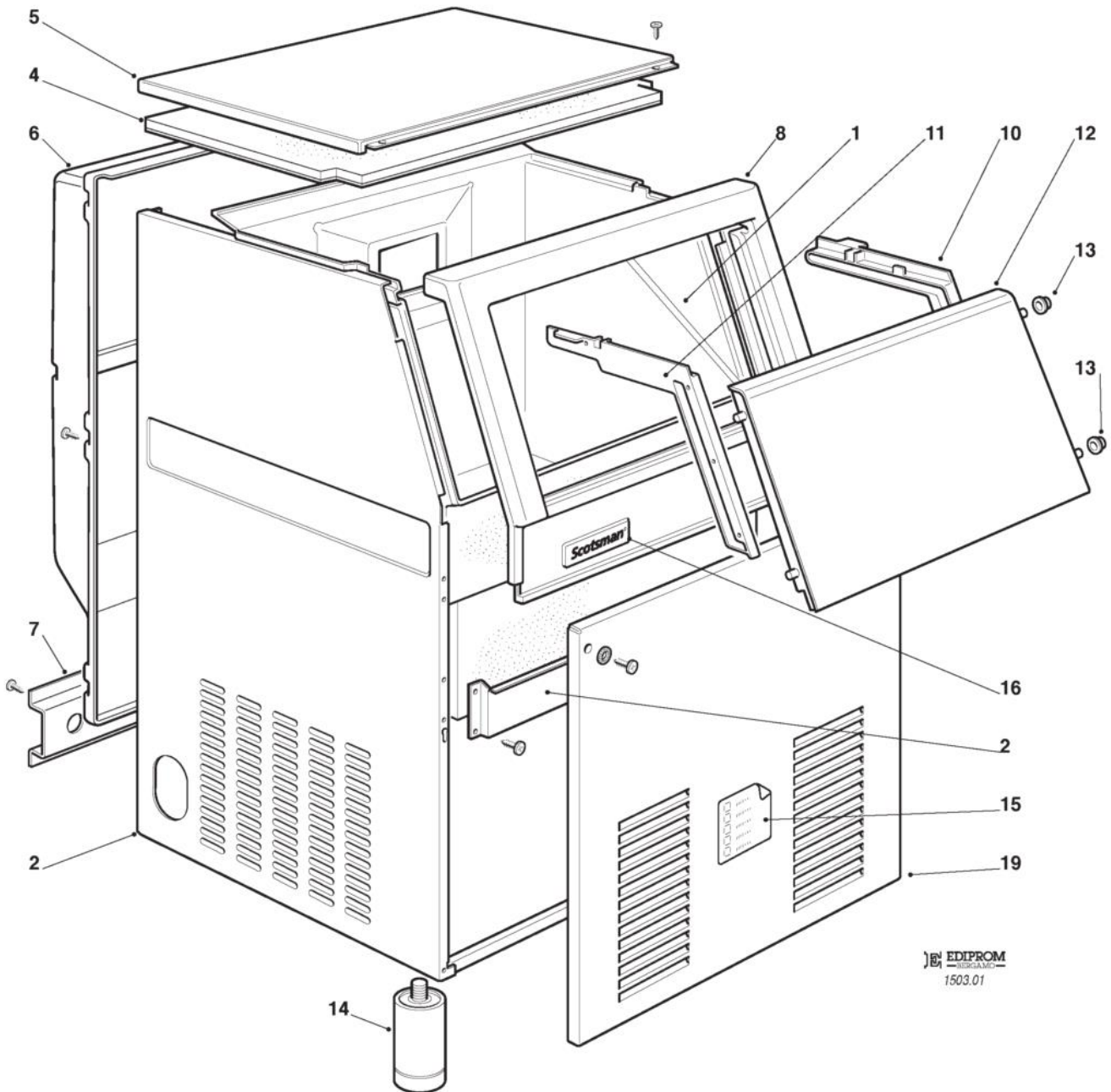


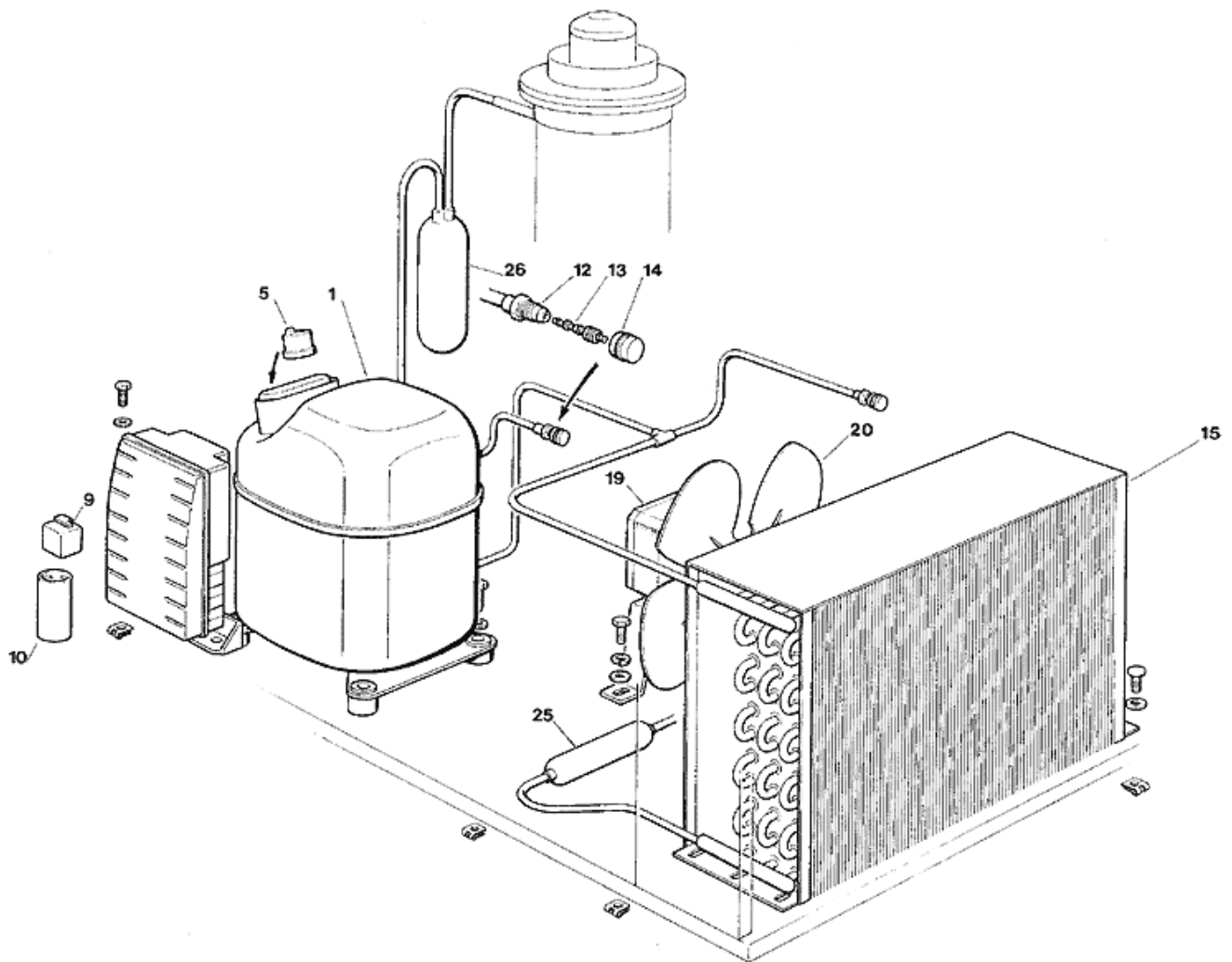
EDIPROM  
9915 10

Pos	Code	Description
0001	SC792040 00R	STORAGE BIN ASSY
0002	SC721712 01	LEFT SIDE PANEL
0002	SC721713 01	RIGHT SIDE PANEL
0002	SC791061 05	UNIT BASE ASSY
0003	SC702254 00	NO LONGER AVAILABLE
0004	SC794301 01R	TOP PANEL INSULATION
0005	SC722510 00	TOP PANEL
0006	SC660668 01	REAR PANEL
0007	SC702248 00	BRACKET
0008	SC660641 00	BIN DOOR FRAME ONLY
0008	SC721669 02	FRONT STRIPE
0010	SC660523 00	RIGHT SIDE GUIDE
0011	SC660523 01	LEFT SIDE GUIDE
0012	SC660642 00	BIN DOOR
0013	SC660286 00	BUSHING
0014	SC650670 00	USE SC650670 05
0015	SC650624 13	LABEL
0016	SC650850 00	SCOTSMAN EMBLEM
0019	SC721714 03	FRONT PANEL

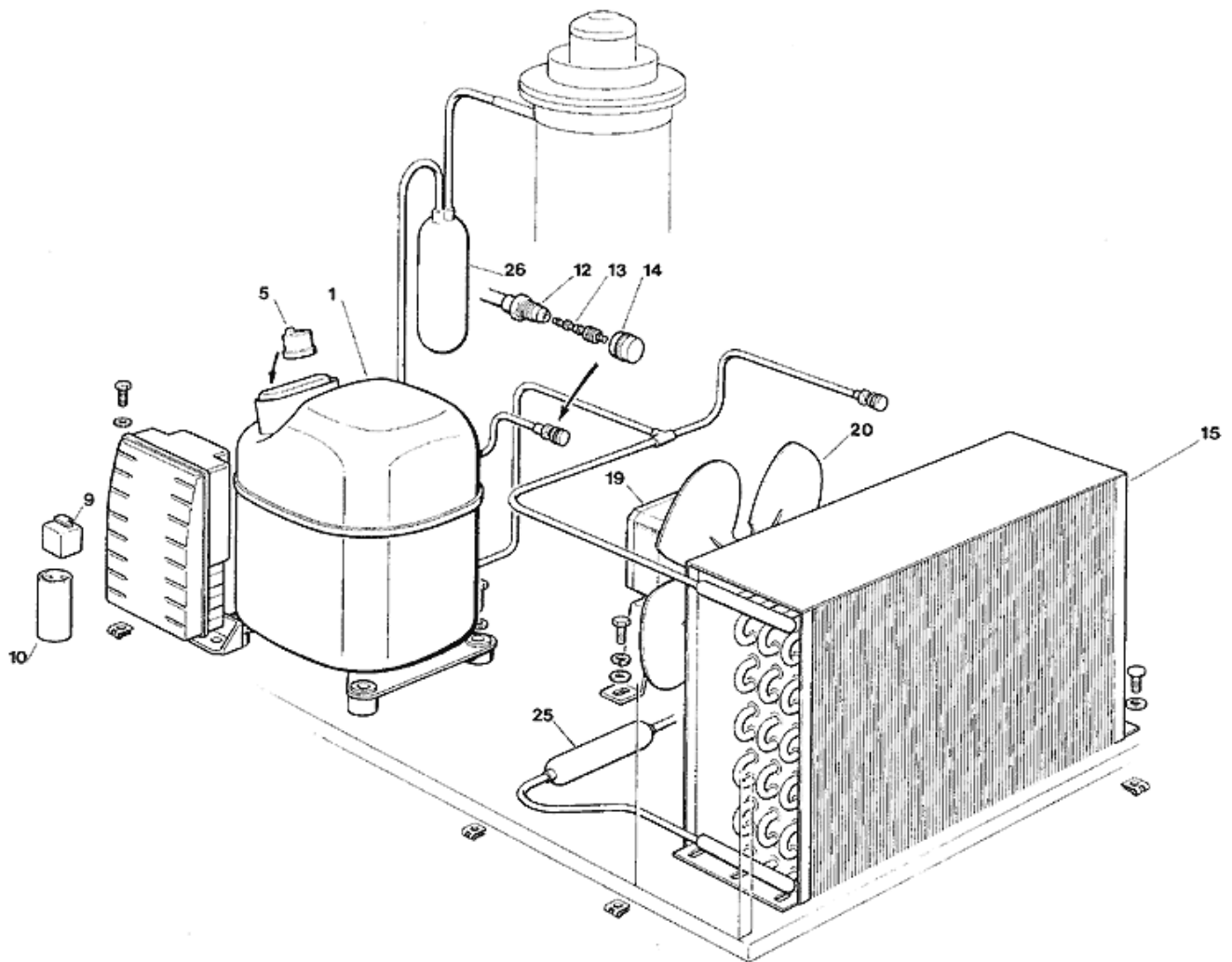


EDIPROM  
1503.01

Pos	Code	Description
0001	SC792040 00R	STORAGE BIN ASSY
0002	SC721712 01	LEFT SIDE PANEL
0002	SC721713 01	RIGHT SIDE PANEL
0002	SC791061 05	UNIT BASE ASSY
0004	SC794301 01R	TOP PANEL INSULATION
0005	SC722510 00	TOP PANEL
0006	SC660668 01	REAR PANEL
0007	SC702248 00	BRACKET
0008	SC660641 00	BIN DOOR FRAME ONLY
0008	SC721669 02	FRONT STRIPE
0010	SC660523 00	RIGHT SIDE GUIDE
0011	SC660523 01	LEFT SIDE GUIDE
0012	SC660642 00	BIN DOOR
0013	SC660286 00	BUSHING
0014	SC651469 00	LEG
0015	SC650624 13	LABEL
0016	SC650850 00	SCOTSMAN EMBLEM
0019	SC721714 03	FRONT PANEL

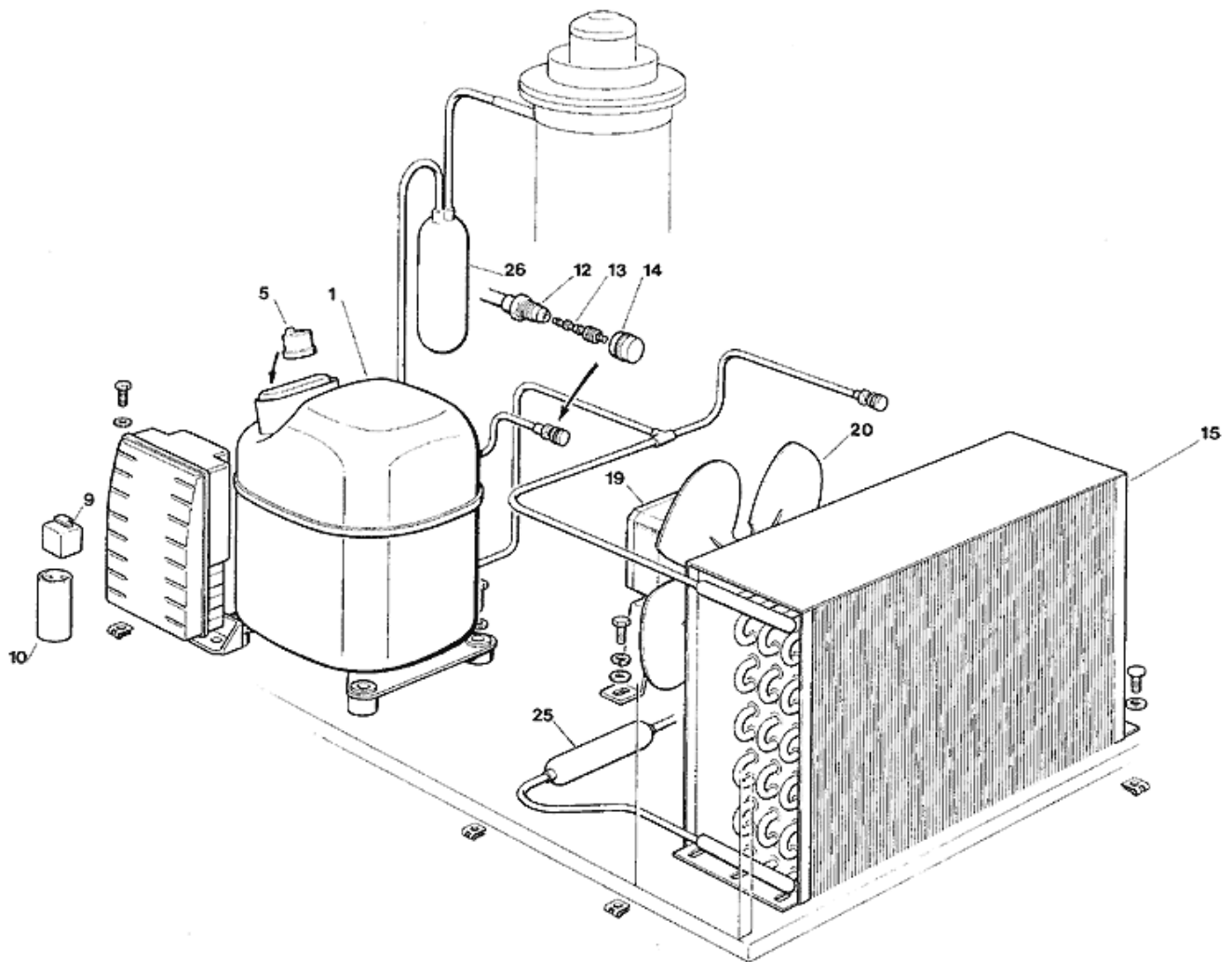


Pos	Code	Description
0001	SC670100 00	COMPRESSOR GL90TB 230/50
0001	SC670100 07	COMPRESSOR 230/60/1
0001	SC670101 05	NLA
0005	SC620058 77	PROTECTOR - 8670442
0005	SCCUB 102314	PROTECTOR
0009	SC620057 42	RELAY - 8662664
0009	SC620057 45	RELAY 8662667
0009	SCCUB 405175	RELAY
0010	SC620167 01	START.CAP. - 8640161
0010	SC620167 55	START CAPACITOR - 8640173
0010	SCCUB 102661	START CAPACITOR
0012	SC650109 00	VALVE BODY
0013	SC670012 00	VALVE CORE
0014	SC650106 00	CAP
0015	SC620420 00	AIR COOLED CONDENSER
0019	SC620419 02	FAN MOTOR ATEX
0019	SC620419 03	FAN MOTOR ATEX
0019	SC620419 61	BRACKET, MOTOR - USE SC620419 69
0020	SC620419 32	BLADE
0025	SC630003 05	DRIER
0026	SC784878 01R	SUCTION LINE

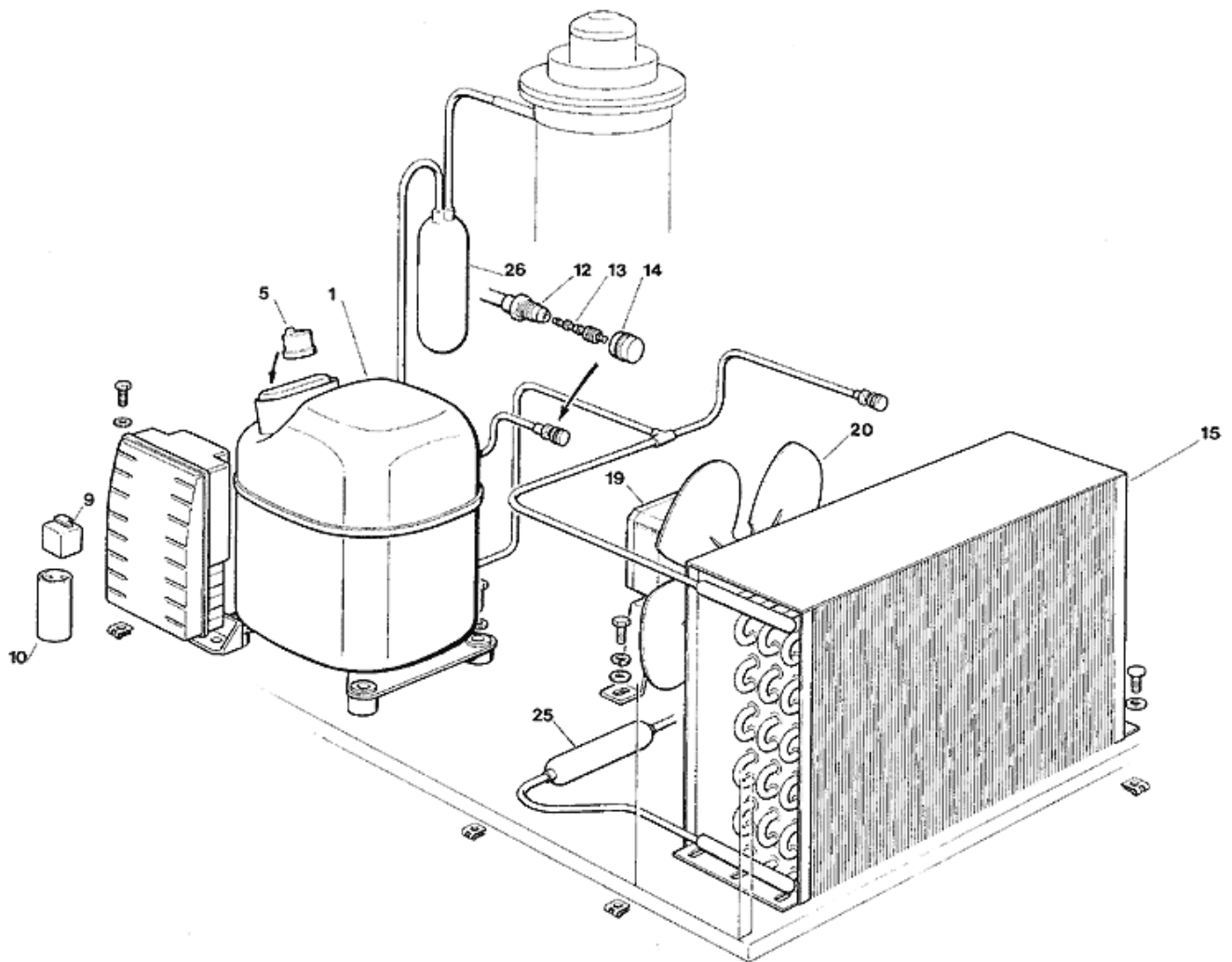


Pos	Code	Description
0001	SC670100 00	COMPRESSOR GL90TB 230/50
0001	SC670100 07	COMPRESSOR 230/60/1
0001	SC670101 05	NLA
0005	SC620058 77	PROTECTOR - 8670442
0005	SC620478 11	PROTECTOR - 8570655
0009	SC620057 42	RELAY - 8662664
0009	SC620057 45	RELAY 8662667
0009	SC620057 71	RELAY - 8562204
0010	SC620167 01	START.CAP. - 8640161
0010	SC620167 55	START CAPACITOR - 8640173
0010	SCCUB 102661	START CAPACITOR
0012	SC650109 00	VALVE BODY
0013	SC670012 00	VALVE CORE
0014	SC650106 00	CAP
0015	SC620420 00	AIR COOLED CONDENSER
0019	SC620419 02	FAN MOTOR ATEX
0019	SC620419 03	FAN MOTOR ATEX
0019	SC620419 61	BRACKET, MOTOR - USE SC620419 69
0020	SC620419 32	BLADE
0025	SC630003 03	FILTER
0026	SC784878 01R	SUCTION LINE

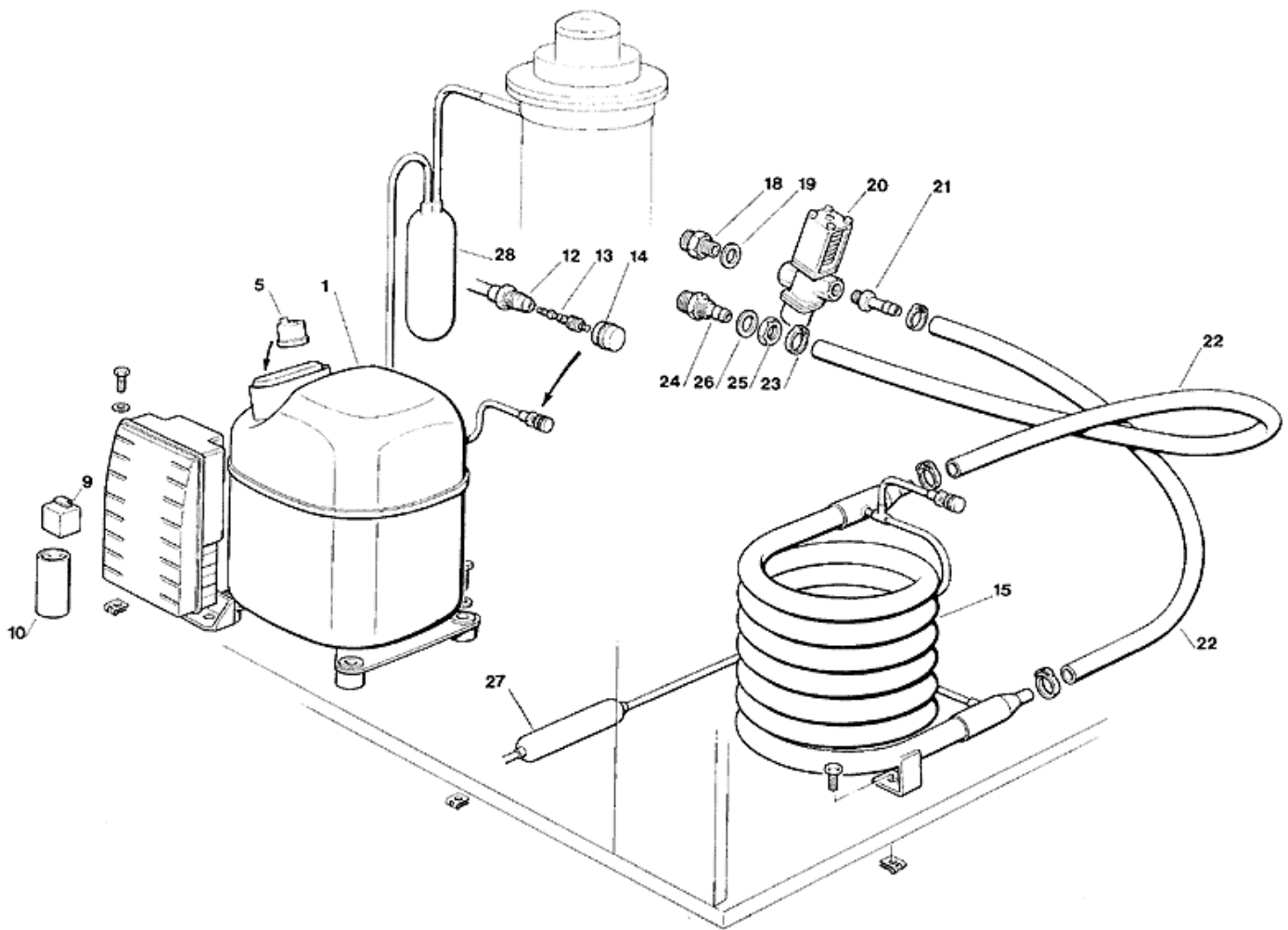




Pos	Code	Description
0001	SC670100 00	COMPRESSOR GL90TB 230/50
0001	SC670100 07	COMPRESSOR 230/60/1
0001	SC670101 05	NLA
0005	SC620058 77	PROTECTOR - 8670442
0005	SCCUB 102314	PROTECTOR
0009	SC620057 42	RELAY - 8662664
0009	SC620057 45	RELAY 8662667
0009	SCCUB 405175	RELAY
0010	SC620167 01	START.CAP. - 8640161
0010	SC620167 55	START CAPACITOR - 8640173
0010	SCCUB 102661	START CAPACITOR
0012	SC650109 00	VALVE BODY
0013	SC670012 00	VALVE CORE
0014	SC650106 00	CAP
0015	SC620420 00	AIR COOLED CONDENSER
0019	SC620419 02	FAN MOTOR ATEX
0019	SC620419 03	FAN MOTOR ATEX
0019	SC620419 61	BRACKET, MOTOR - USE SC620419 69
0020	SC620419 32	BLADE
0025	SC630003 03	FILTER
0026	SC784878 01R	SUCTION LINE



Pos	Code	Description
0001	SC670100 00	COMPRESSOR GL90TB 230/50
0001	SC670100 07	COMPRESSOR 230/60/1
0001	SC670101 05	NLA
0005	SC620058 77	PROTECTOR - 8670442
0005	SCCUB 102314	PROTECTOR
0009	SC620057 42	RELAY - 8662664
0009	SC620057 45	RELAY 8662667
0009	SCCUB 405175	RELAY
0010	SC620167 01	START.CAP. - 8640161
0010	SC620167 55	START CAPACITOR - 8640173
0010	SCCUB 102661	START CAPACITOR
0012	SC650109 00	VALVE BODY
0013	SC670012 00	VALVE CORE
0014	SC650106 00	CAP
0015	SC620420 00	AIR COOLED CONDENSER
0019	SC620419 02	FAN MOTOR ATEX
0019	SC620419 03	FAN MOTOR ATEX
0019	SC620419 61	BRACKET, MOTOR - USE SC620419 69
0020	SC620419 32	BLADE
0025	SC630003 03	FILTER
0026	SC784878 01R	SUCTION LINE

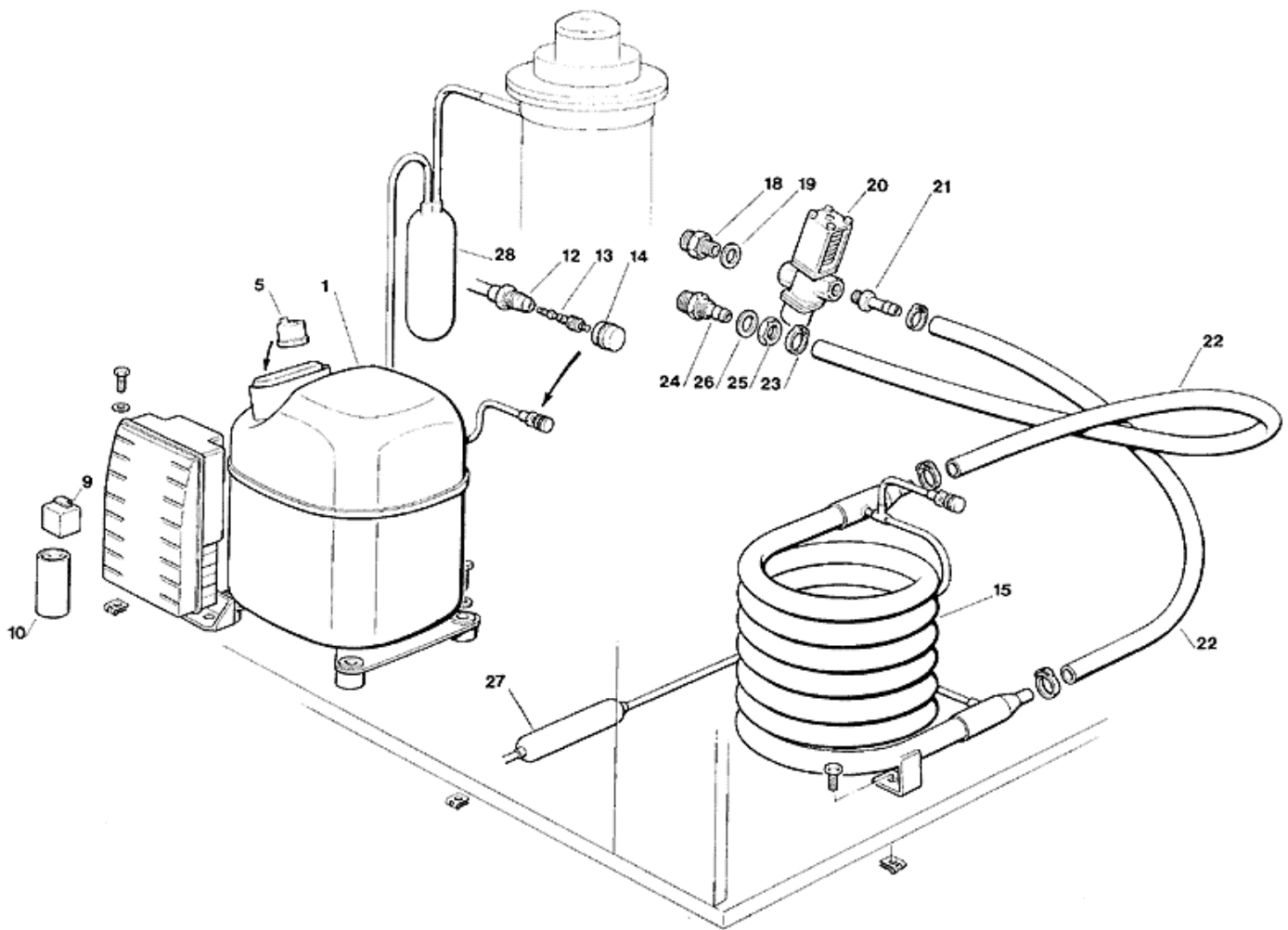


Pos	Code	Description
0001	SC670100 00	COMPRESSOR GL90TB 230/50
0001	SC670100 07	COMPRESSOR 230/60/1
0001	SC670101 05	NLA
0005	SC620058 77	PROTECTOR - 8670442
0005	SCCUB 102314	PROTECTOR
0009	SC620057 42	RELAY - 8662664
0009	SC620057 45	RELAY 8662667
0009	SCCUB 405175	RELAY
0010	SC620167 01	START.CAP. - 8640161
0010	SC620167 55	START CAPACITOR - 8640173
0010	SCCUB 102661	START CAPACITOR
0012	SC650109 00	VALVE BODY
0013	SC670012 00	VALVE CORE
0014	SC650106 00	CAP
0015	SC620389 00	WATER COOLED CONDENSER
0018	SC733204 00	WATER INLET FITTING
0019	SC400031 01	WASHER
0020	SC620111 00	WATER REGUL. VALVE
0021	SC733173 02	OBSOLETE
0022	SC281900 05	TUBO PVC DN13 (13X19)90°
0024	SC733174 00	FITTING
0025	SC400076 00	NUT
0026	SC400031 00	WASHER
0027	SC630003 05	DRIER
0028	SC784878 01R	SUCTION LINE

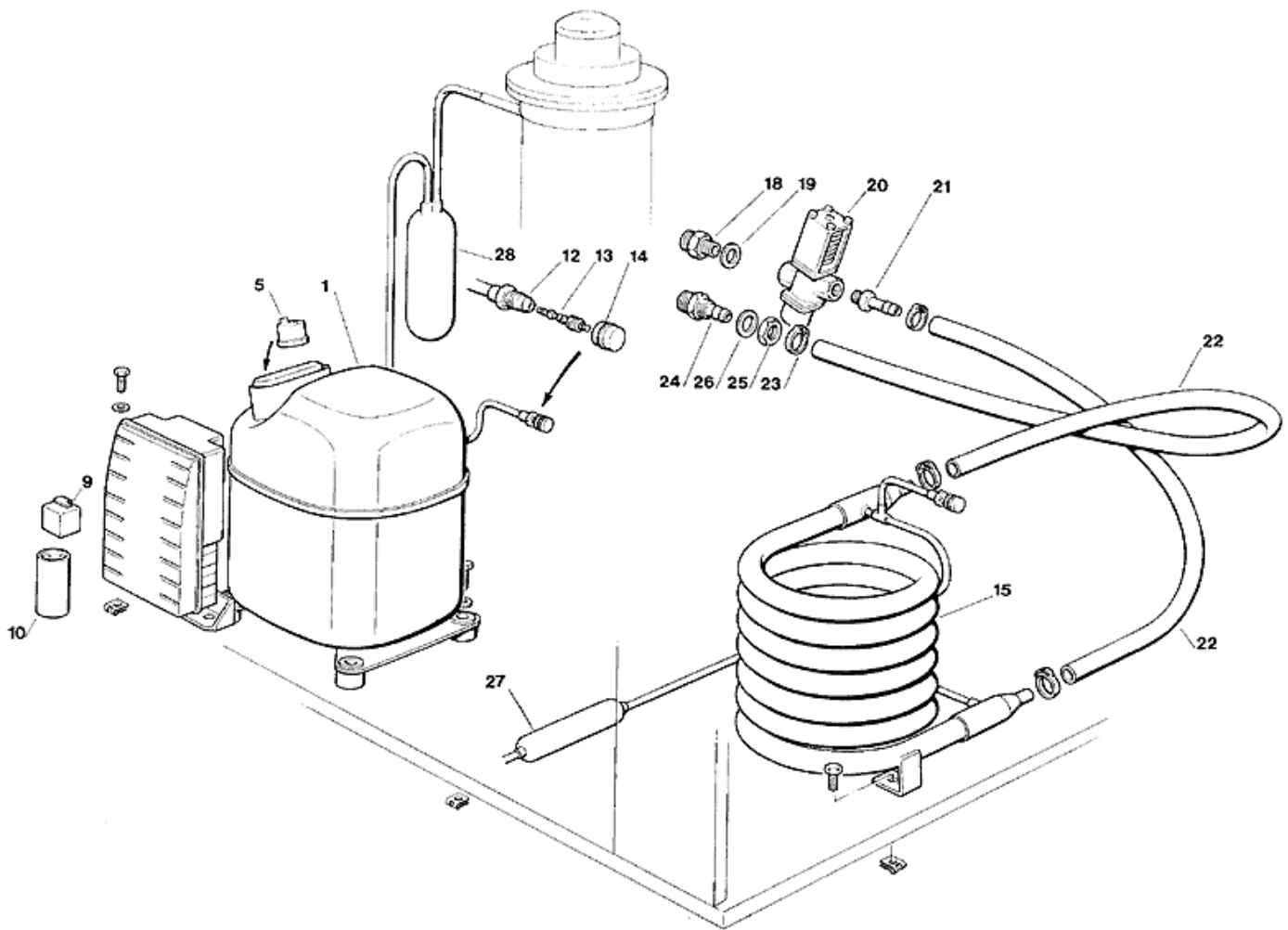


Pos	Code	Description
0001	SC670100 00	COMPRESSOR GL90TB 230/50
0001	SC670100 07	COMPRESSOR 230/60/1
0001	SC670101 05	NLA
0005	SC620058 77	PROTECTOR - 8670442
0005	SC620478 11	PROTECTOR - 8570655
0009	SC620057 42	RELAY - 8662664
0009	SC620057 45	RELAY 8662667
0009	SC620057 71	RELAY - 8562204
0010	SC620167 01	START.CAP. - 8640161
0010	SC620167 55	START CAPACITOR - 8640173
0010	SCCUB 102661	START CAPACITOR
0012	SC650109 00	VALVE BODY
0013	SC670012 00	VALVE CORE
0014	SC650106 00	CAP
0015	SC620389 00	WATER COOLED CONDENSER
0018	SC733204 00	WATER INLET FITTING
0019	SC400031 01	WASHER
0020	SC620111 00	WATER REGUL. VALVE
0021	SC733173 02	OBSOLETE
0022	SC281900 05	TUBO PVC DN13 (13X19)90°
0024	SC733174 00	FITTING
0025	SC400076 00	NUT
0026	SC400031 00	WASHER
0027	SC630003 03	FILTER
0028	SC784878 01R	SUCTION LINE

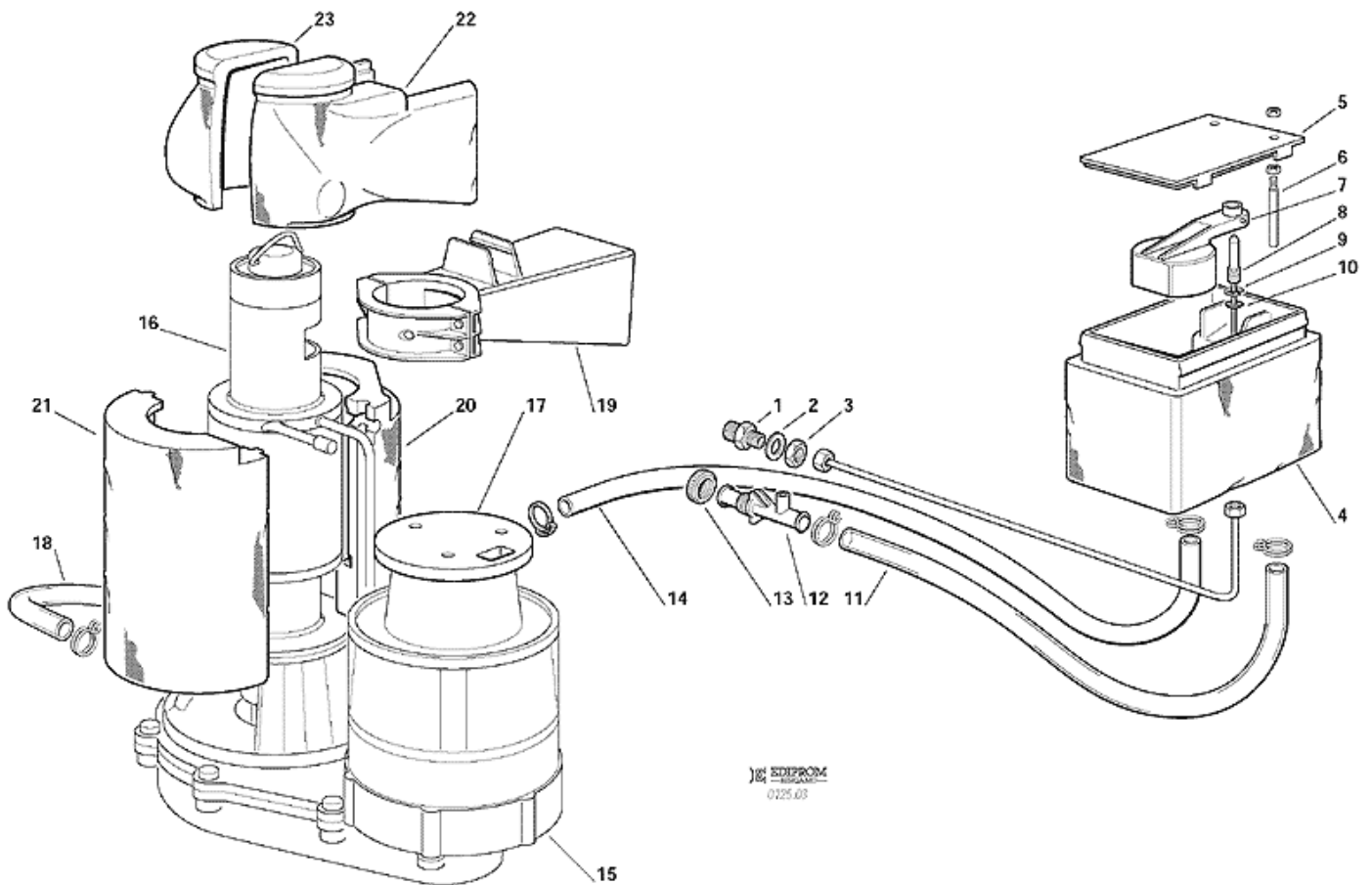




Pos	Code	Description
0001	SC670100 00	COMPRESSOR GL90TB 230/50
0001	SC670100 07	COMPRESSOR 230/60/1
0001	SC670101 05	NLA
0005	SC620058 77	PROTECTOR - 8670442
0005	SCCUB 102314	PROTECTOR
0009	SC620057 42	RELAY - 8662664
0009	SC620057 45	RELAY 8662667
0009	SCCUB 405175	RELAY
0010	SC620167 01	START.CAP. - 8640161
0010	SC620167 55	START CAPACITOR - 8640173
0010	SCCUB 102661	START CAPACITOR
0012	SC650109 00	VALVE BODY
0013	SC670012 00	VALVE CORE
0014	SC650106 00	CAP
0015	SC620389 00	WATER COOLED CONDENSER
0018	SC733204 00	WATER INLET FITTING
0019	SC400031 01	WASHER
0020	SC620111 00	WATER REGUL. VALVE
0021	SC733173 02	OBSOLETE
0022	SC281900 05	TUBO PVC DN13 (13X19)90°
0024	SC733174 00	FITTING
0025	SC400076 00	NUT
0026	SC400031 00	WASHER
0027	SC630003 03	FILTER
0028	SC784878 01R	SUCTION LINE

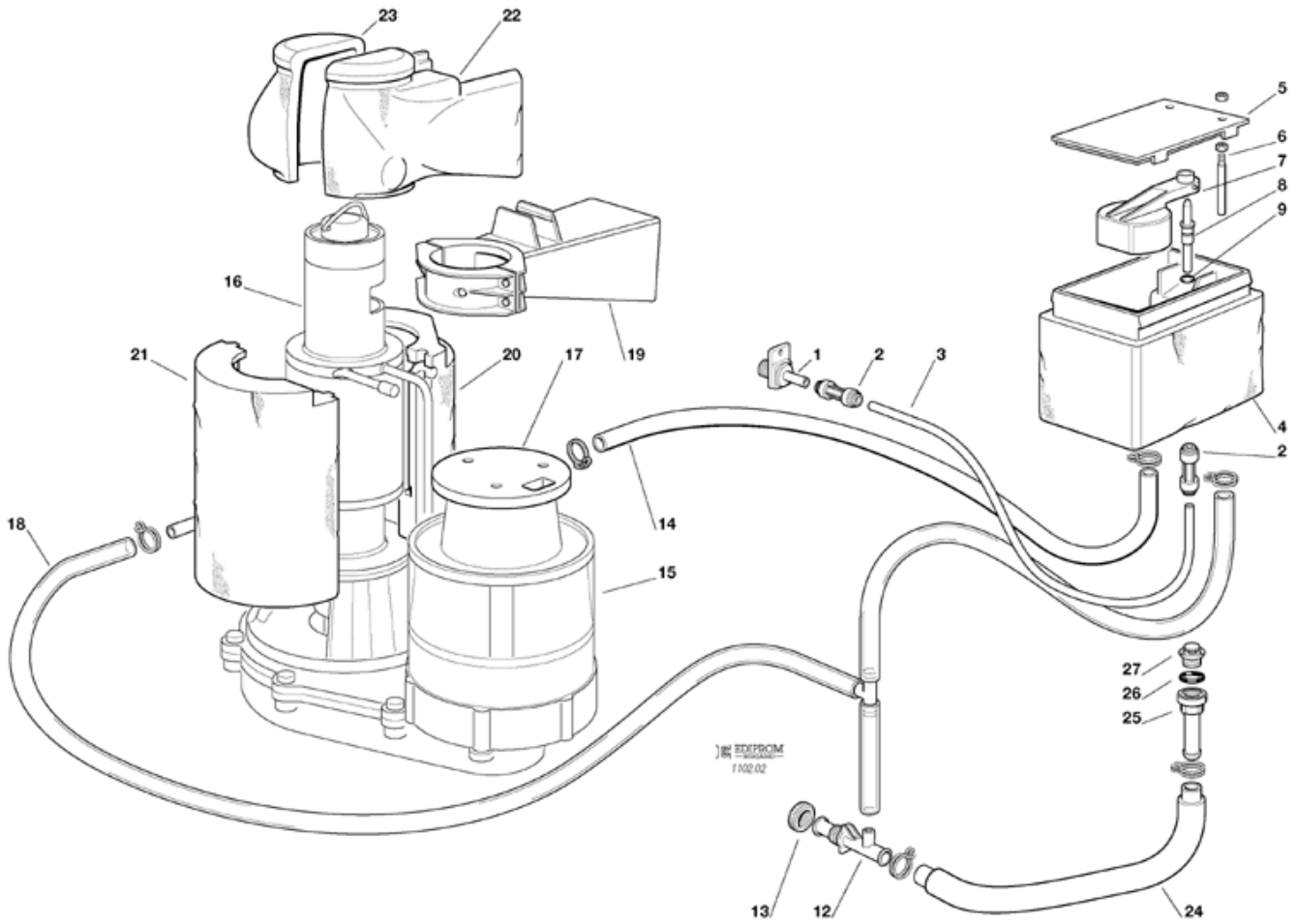


Pos	Code	Description
0001	SC670100 00	COMPRESSOR GL90TB 230/50
0001	SC670100 07	COMPRESSOR 230/60/1
0001	SC670101 05	NLA
0005	SC620058 77	PROTECTOR - 8670442
0005	SCCUB 102314	PROTECTOR
0009	SC620057 42	RELAY - 8662664
0009	SC620057 45	RELAY 8662667
0009	SCCUB 405175	RELAY
0010	SC620167 01	START.CAP. - 8640161
0010	SC620167 55	START CAPACITOR - 8640173
0010	SCCUB 102661	START CAPACITOR
0012	SC650109 00	VALVE BODY
0013	SC670012 00	VALVE CORE
0014	SC650106 00	CAP
0015	SC620389 00	WATER COOLED CONDENSER
0018	SC733204 00	WATER INLET FITTING
0019	SC400031 01	WASHER
0020	SC620111 00	WATER REGUL. VALVE
0021	SC733173 02	OBSOLETE
0022	SC281900 05	TUBO PVC DN13 (13X19)90°
0024	SC733174 00	FITTING
0025	SC400076 00	NUT
0026	SC400031 00	WASHER
0027	SC630003 03	FILTER
0028	SC784878 01R	SUCTION LINE



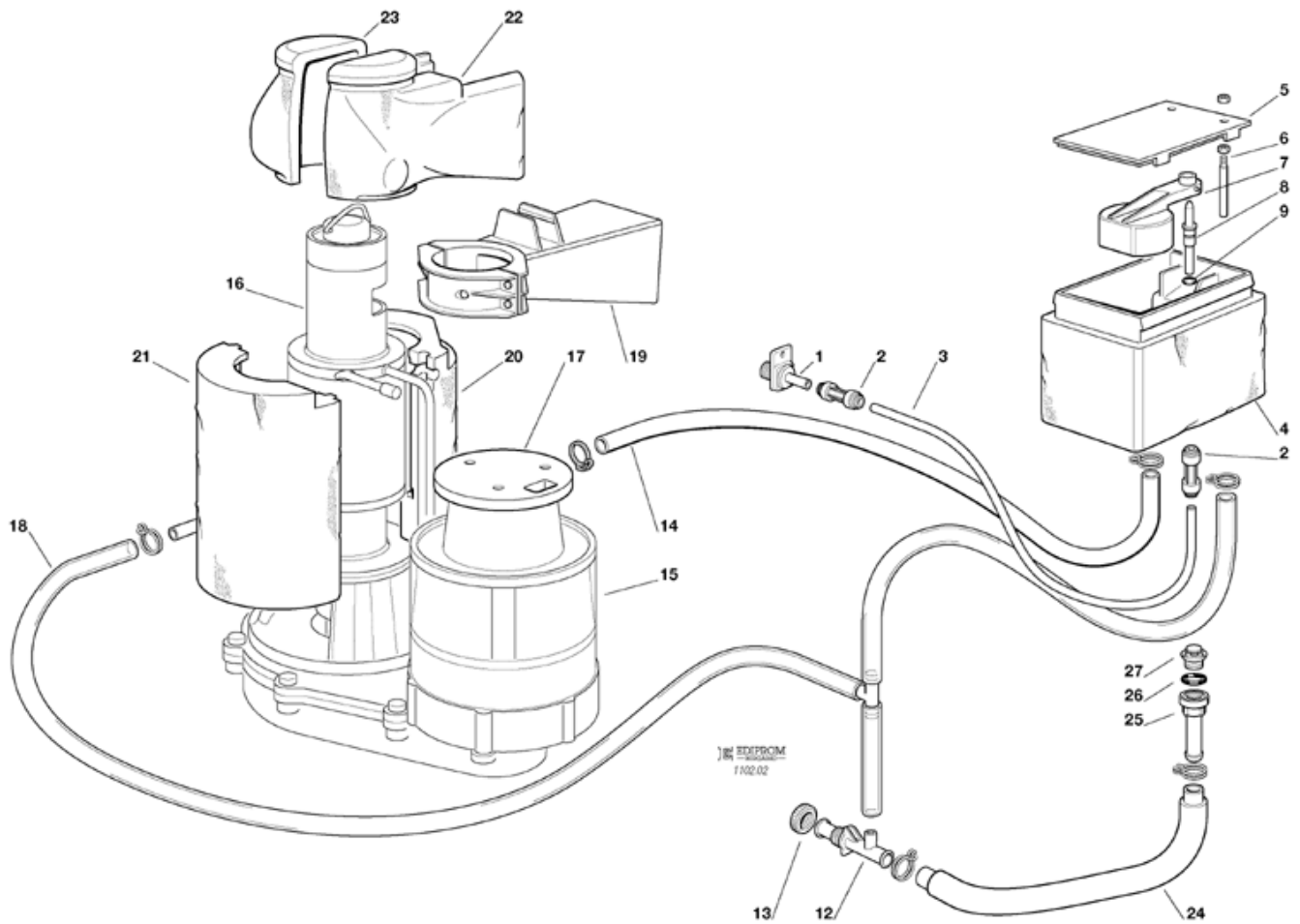
EMERSON  
0725.03

Pos	Code	Description
0002	SC400052 00	WASHER
0004	SC793126 01	WATER RESERVOIR
0005	SC660363 00	COVER
0006	SC724215 06	WATER LEVEL METAL PIN
0007	SC660585 00	FLOAT VALVE
0008	SC060742 00	WATER NOZZLE RETROFIT KIT
0009	SC460038 02	RETAINING CLIP
0010	SC640100 00	O RING OR 2025 (WRAS-FDA)
0011	SC281832 00	TUBE
0012	SC660224 00	TEE TUBE
0013	SC660535 00	PLASTIC NUT
0014	SC281822 00	PLASTIC HOSE - PER METER
0015	SC794225 13R	GEAR REDUCER ASSY - 230/50-60
0015	SC794225 14R	GEAR REDUCER ASSY - 115/60
0016	SC794302 01R	EVAPORATOR ASSY
0017	SC650515 02	PLASTIC COVER
0018	SC610171 02	PLASTIC HOSE
0019	SC660676 03	PLASTIC SPOUT
0020	SC060551 02	KIT INSULATION, FREEZER
0021	SC060551 02	KIT INSULATION, FREEZER
0022	SC650887 00	SPOUT INSULATION
0023	SC650887 00	SPOUT INSULATION



Pos	Code	Description
0001	SC660956 00	WATER IN PLASTIC FITTING
0002	SC651224 04	1/4 F-5/16F CONNECTOR
0003	SC651206 02	1/4 OD NYLON TUBE
0004	SC793126 01	WATER RESERVOIR
0005	SC660363 00	COVER
0006	SC724215 06	WATER LEVEL METAL PIN
0007	SC660585 00	FLOAT VALVE
0008	SC660957 00	PLASTIC NOZZLE
0009	SC640100 00	O RING OR 2025 (WRAS-FDA)
0012	SC660224 00	TEE TUBE
0013	SC660535 00	PLASTIC NUT
0014	SC281822 00	PLASTIC HOSE - PER METER
0015	SC794225 13R	GEAR REDUCER ASSY - 230/50-60
0015	SC794225 14R	GEAR REDUCER ASSY - 115/60
0016	SC794302 01R	EVAPORATOR ASSY
0017	SC650515 02	PLASTIC COVER
0018	SC610171 02	PLASTIC HOSE
0019	SC660676 03	PLASTIC SPOUT
0020	SC060551 02	KIT INSULATION, FREEZER
0021	SC060551 02	KIT INSULATION, FREEZER
0022	SC650887 00	SPOUT INSULATION
0023	SC650887 00	SPOUT INSULATION
0024	SC610148 10	TUBE
0025	SC660219 01	BIN DRAIN
0026	SC640134 00	O RING
0027	SC660211 01	DRAIN FILTER



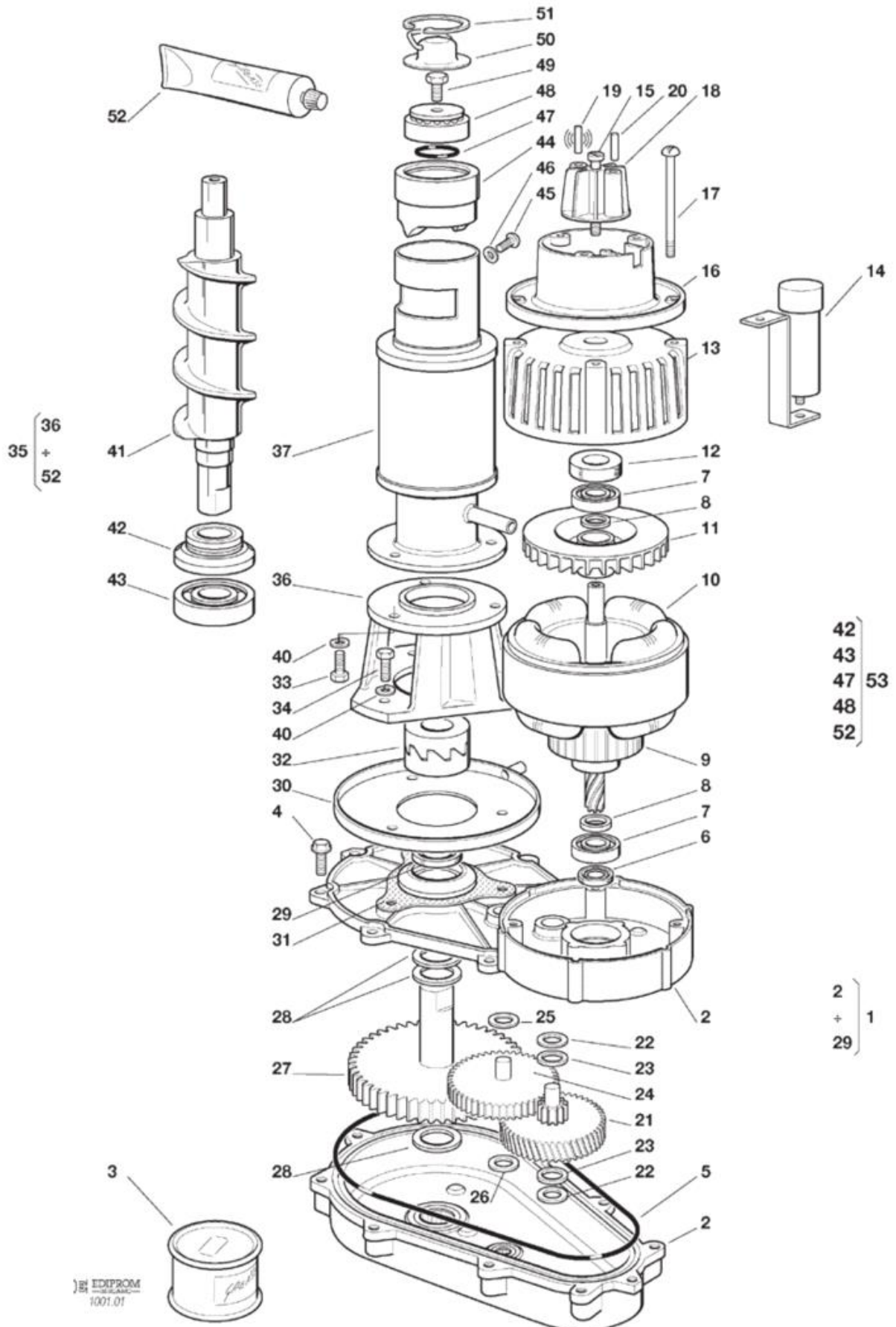


Pos	Code	Description
0001	SC660956 00	WATER IN PLASTIC FITTING
0002	SC651224 04	1/4 F-5/16F CONNECTOR
0003	SC651206 02	1/4 OD NYLON TUBE
0004	SC793126 01	WATER RESERVOIR
0005	SC660363 00	COVER
0006	SC724215 06	WATER LEVEL METAL PIN
0007	SC660585 00	FLOAT VALVE
0008	SC660957 00	PLASTIC NOZZLE
0009	SC640100 00	O RING OR 2025 (WRAS-FDA)
0012	SC660224 00	TEE TUBE
0013	SC660535 00	PLASTIC NUT
0014	SC281822 00	PLASTIC HOSE - PER METER
0015	SC060819 00	DRIVE MOTOR ASSY - 230/50/1
0015	SC620619 00	GEAR REDUCER ONLY, NO MOTOR
0015	SC794225 14R	GEAR REDUCER ASSY - 115/60
0016	SC794354 02R	FREEZER ASSY
0017	SC650515 02	PLASTIC COVER
0018	SC610171 02	PLASTIC HOSE
0019	SC660676 00	ICE SPOUT
0020	SC060551 02	KIT INSULATION, FREEZER
0021	SC060551 02	KIT INSULATION, FREEZER
0022	SC650887 00	SPOUT INSULATION
0023	SC650887 00	SPOUT INSULATION
0024	SC610148 10	TUBE
0025	SC660219 01	BIN DRAIN
0026	SC640134 00	O RING
0027	SC660211 01	DRAIN FILTER



Pos	Code	Description
0001	SC794225 13R	GEAR REDUCER ASSY - 230/50-60
0001	SC794225 14R	GEAR REDUCER ASSY - 115/60
0002	SC001015 01	GEAR CASE KIT
0003	SC060294 04	GEAR REDUCER GREASE 0,5KG
0004	SC03001251 00	OBSOLETE
0004	SC429852 00	SCREW
0005	SC640084 00	O RING
0006	SC640083 00	GREASE SEAL
0007	SC651056 00	BEARING
0008	SC441800 09	SPECIAL WASHER
0009	SC794123 03R	ROTOR ASSY
0010	SC620521 00	STATOR 230V
0010	SC620521 01	STATOR 115V
0011	SC764001 01	BLADE
0012	SC640095 00	RUBBER INSERT
0013	SC794226 01R	MOTOR HOUSING
0014	SC620520 00	CAPACITOR 12,5 MFD
0014	SC620520 03	CAPACITOR 4 MFD
0015	SC03001403 77	PANHEAD MACHINE SCREW
0016	SC650515 01	MOTOR COVER
0017	SC423872 02	SCREW
0018	SC784476 01	MGT BRACKET ASSY
0019	SC784476 01	MGT BRACKET ASSY
0020	SC784476 01	MGT BRACKET ASSY
0021	SC651160 00	GEAR
0022	SC441800 05	WASHER
0023	SC441800 06	WASHER
0024	SC651161 00	GEAR AND PINION
0025	SC441800 08	WASHER
0026	SC441800 07	WASHER
0027	SC651162 01	3RD GEAR & PINION
0028	SC03001408 04	SPECIAL WASHER
0028	SC441808 00	WASHER
0029	SC640019 01	GASKET SMIM 2232/5.5
0030	SC660756 00	WATER DRIP TRAY
0031	SC640041 36	O RING OR 6200 (WRAS-FDA)
0032	SC060359 00	KIT COUPLING AF
0033	SC03001405 38	SCREW
0033	SC420019 00	SCREW
0034	SC420019 00	SCREW
0035	SC794302 01R	EVAPORATOR ASSY
0036	SC764010 00	FREEZER BRACKET
0037	SC060705 03	WORM TUBE KIT
0041	SC640041 40	O RING OR 3068 (WRAS-FDA)
0041	SC724052 08	AUGER AF 80
0042	SC640040 00	WATER SEAL
0043	SC670011 01	BEARING
0044	SC060720 00	ICE BREAKER ASSY
0045	SC420285 05	SCREW
0047	SC640109 01	O RING FDA

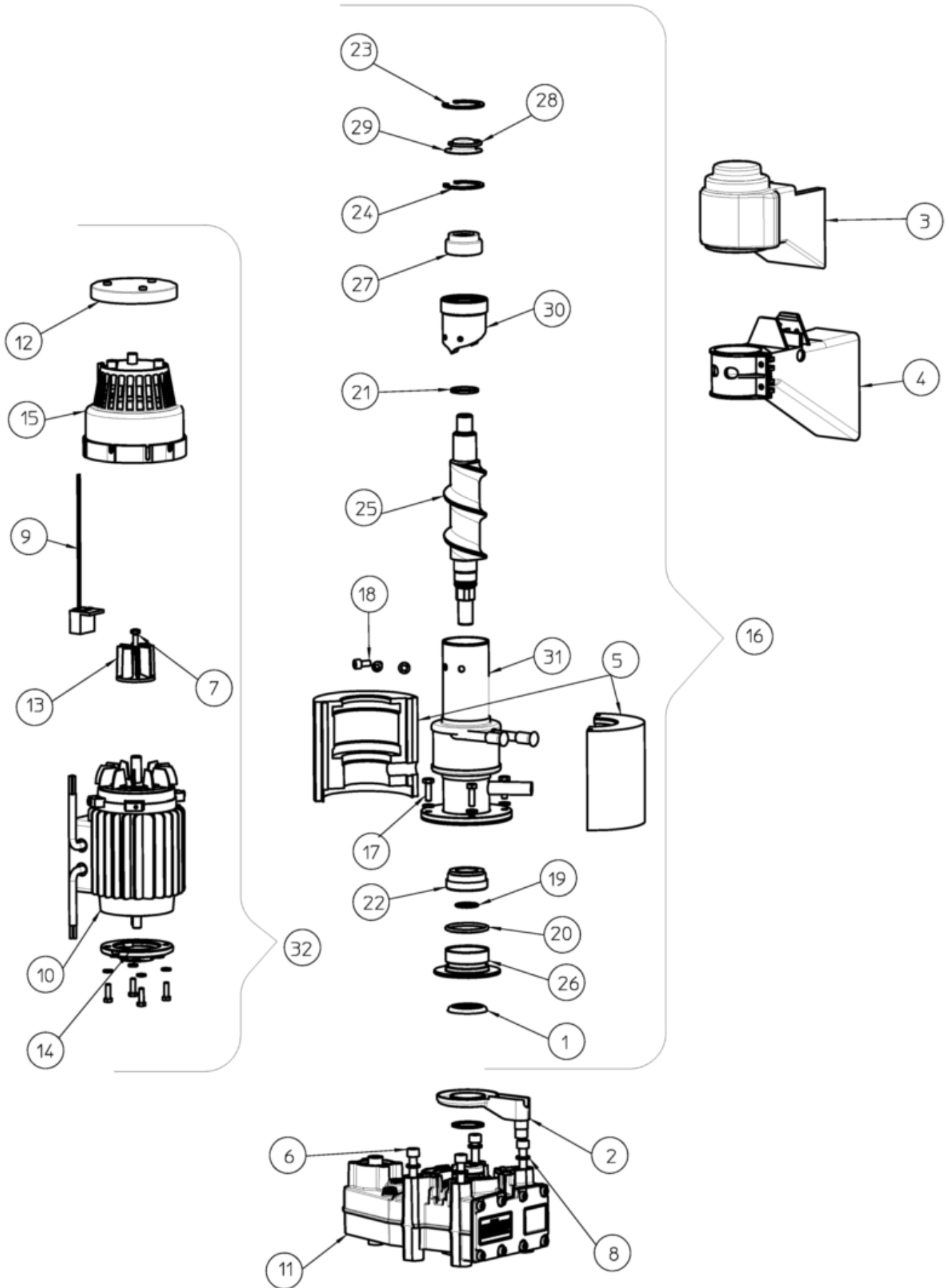
Pos	Code	Description
0048	SC060720 00	ICE BREAKER ASSY
0049	SC420030 00	SCREW
0050	SC734105 00	CAP WORM
0051	SC650297 00	SNAP RING
0052	SC263612 00	GREASE FOODLUBE UNIVERSAL 2,0 & 000
0053	SC001028 07	KIT BEARING N SEAL-AF



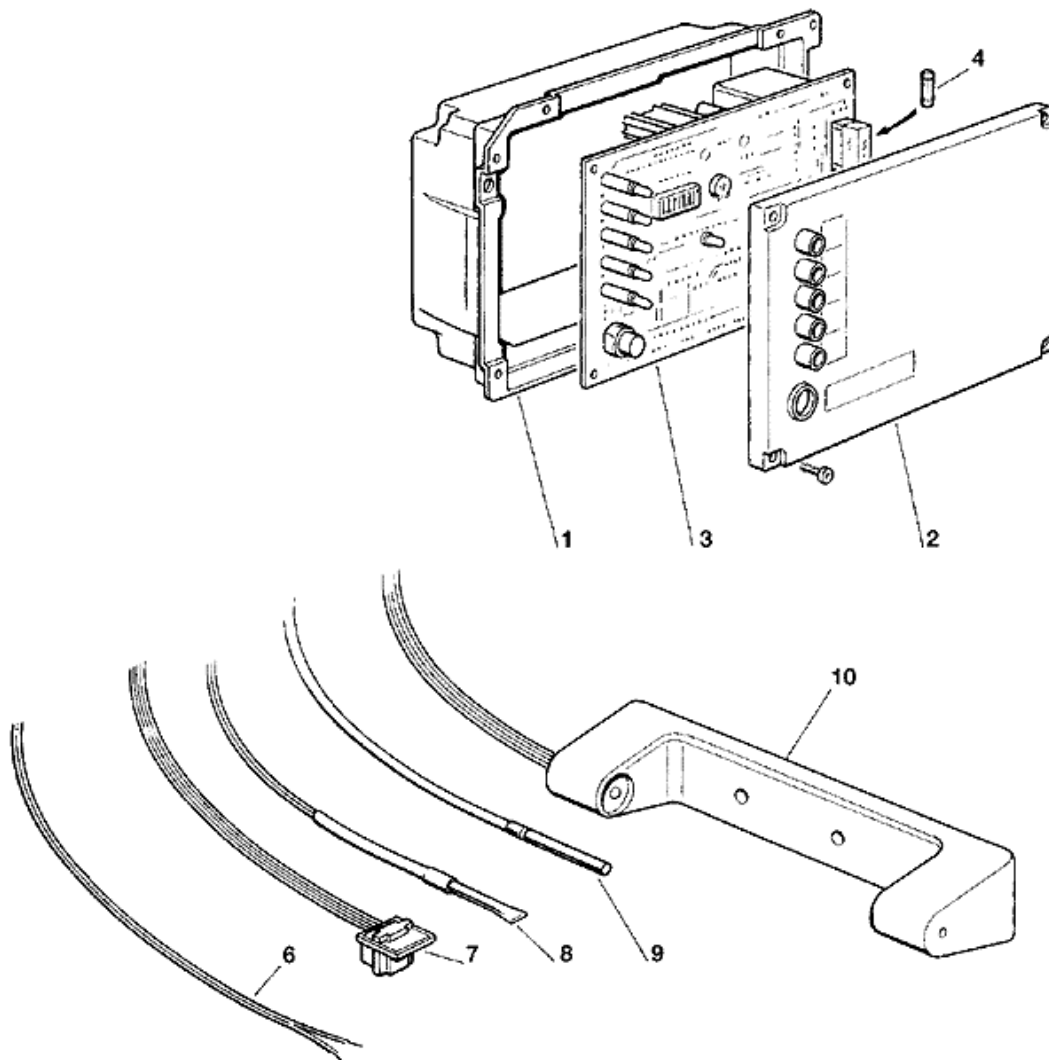
Pos	Code	Description
0001	SC794225 13R	GEAR REDUCER ASSY - 230/50-60
0001	SC794225 14R	GEAR REDUCER ASSY - 115/60
0002	SC001015 01	GEAR CASE KIT
0003	SC060294 04	GEAR REDUCER GREASE 0,5KG
0004	SC03001251 00	OBSOLETE
0004	SC429852 00	SCREW
0005	SC640084 00	O RING
0006	SC640083 00	GREASE SEAL
0007	SC651056 00	BEARING
0008	SC441800 09	SPECIAL WASHER
0009	SC794123 03R	ROTOR ASSY
0010	SC620521 00	STATOR 230V
0010	SC620521 01	STATOR 115V
0011	SC764001 01	BLADE
0012	SC640095 00	RUBBER INSERT
0013	SC794226 01R	MOTOR HOUSING
0014	SC620520 00	CAPACITOR 12,5 MFD
0014	SC620520 03	CAPACITOR 4 MFD
0015	SC03001403 77	PANHEAD MACHINE SCREW
0016	SC650515 01	MOTOR COVER
0017	SC423872 02	SCREW
0018	SC784476 01	MGT BRACKET ASSY
0019	SC784476 01	MGT BRACKET ASSY
0020	SC784476 01	MGT BRACKET ASSY
0021	SC651160 00	GEAR
0022	SC441800 05	WASHER
0023	SC441800 06	WASHER
0024	SC651161 00	GEAR AND PINION
0025	SC441800 08	WASHER
0026	SC441800 07	WASHER
0027	SC651162 01	3RD GEAR & PINION
0028	SC03001408 04	SPECIAL WASHER
0028	SC441808 00	WASHER
0029	SC640019 01	GASKET SMIM 2232/5.5
0030	SC660756 00	WATER DRIP TRAY
0031	SC640041 36	O RING OR 6200 (WRAS-FDA)
0032	SC060359 00	KIT COUPLING AF
0033	SC03001405 38	SCREW
0033	SC420019 00	SCREW
0034	SC420019 00	SCREW
0035	SC794302 01R	EVAPORATOR ASSY
0036	SC764010 00	FREEZER BRACKET
0037	SC060705 03	WORM TUBE KIT
0041	SC640041 40	O RING OR 3068 (WRAS-FDA)
0041	SC724052 08	AUGER AF 80
0042	SC640040 00	WATER SEAL
0043	SC670011 01	BEARING
0044	SC060720 00	ICE BREAKER ASSY
0045	SC420285 05	SCREW
0047	SC640109 01	O RING FDA

Pos	Code	Description
0048	SC060720 00	ICE BREAKER ASSY
0049	SC420030 00	SCREW
0050	SC734105 00	CAP WORM
0051	SC650297 00	SNAP RING
0052	SC263612 00	GREASE FOODLUBE UNIVERSAL 2,0 & 000
0053	SC001028 07	KIT BEARING N SEAL-AF

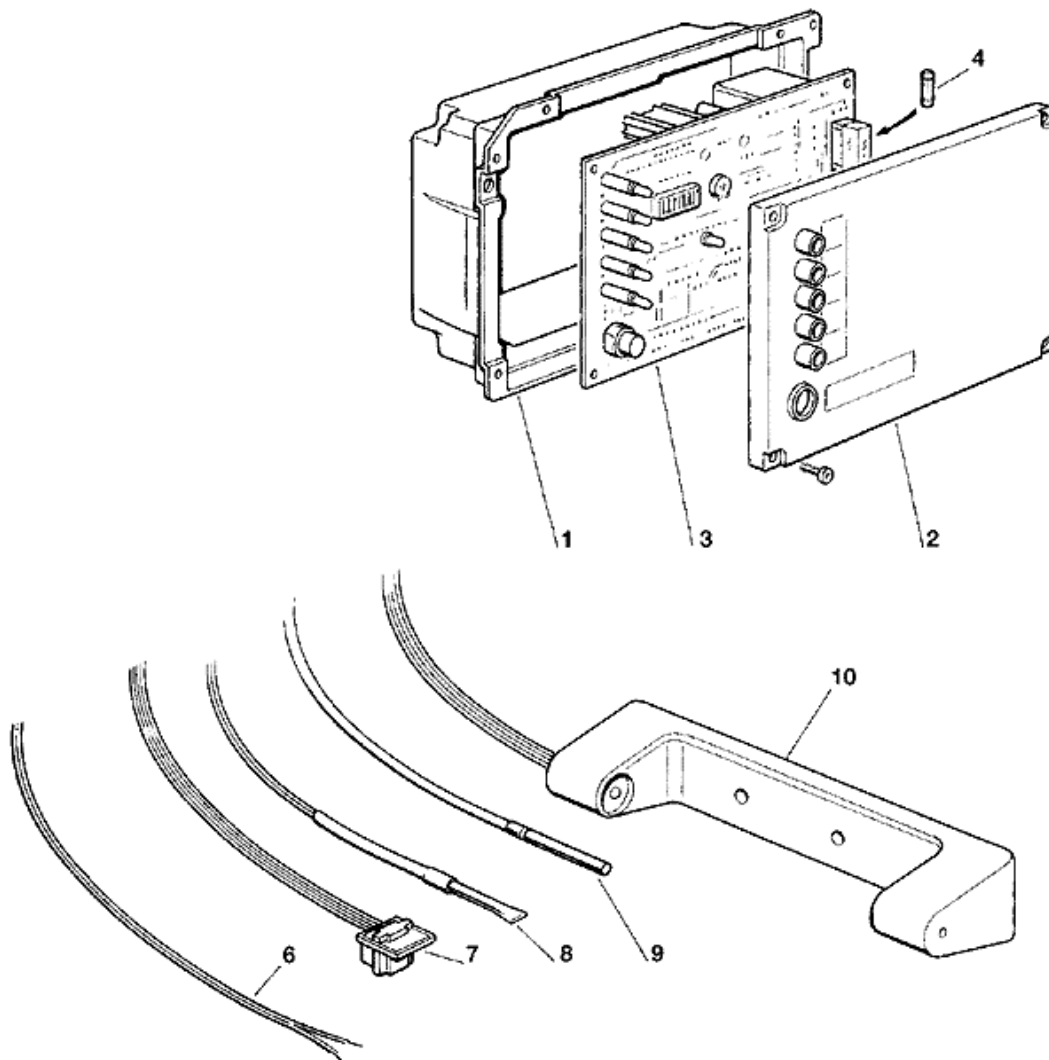




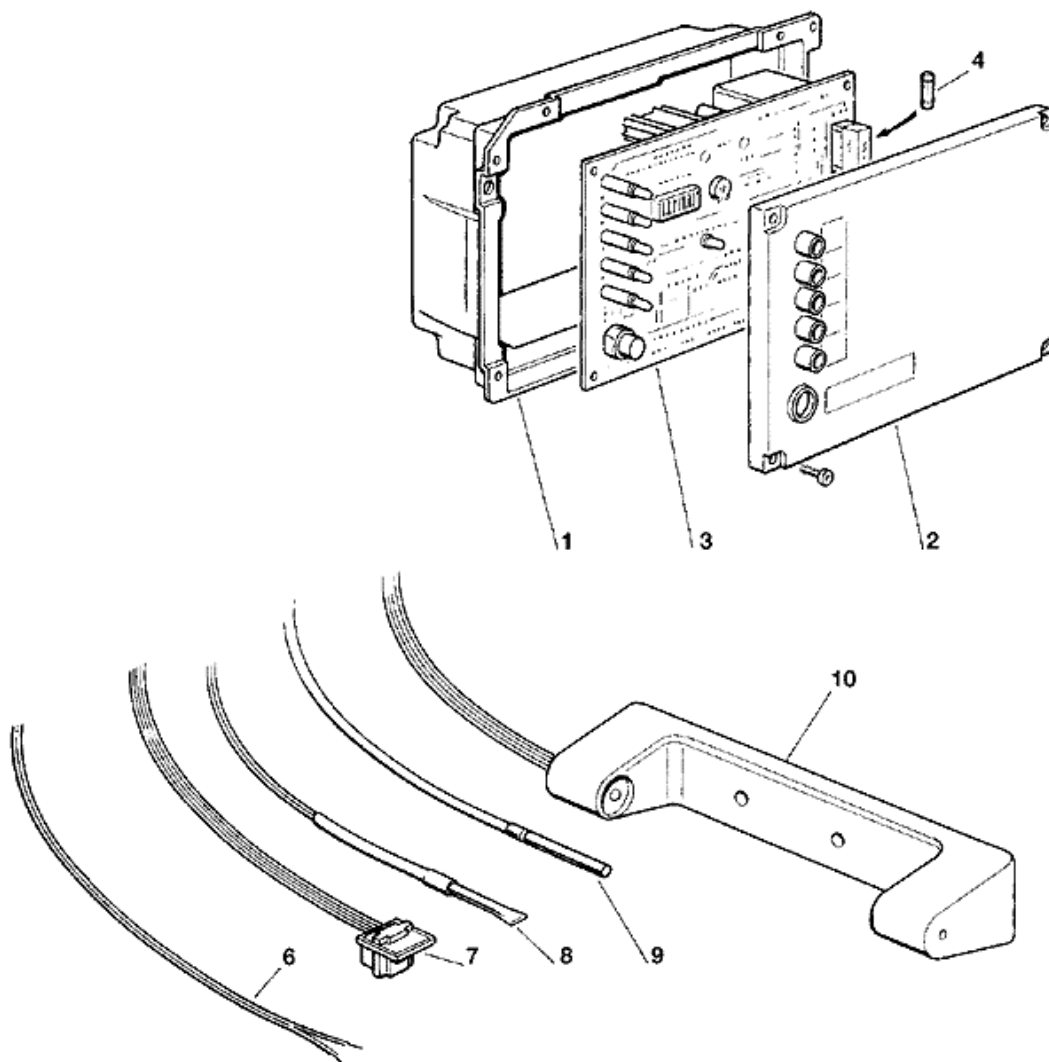
Pos	Code	Description
0001	SC661112 01	DRIP PAN COVER
0002	SC661166 00	WATER DRIP TRAY
0003	SC650887 00	SPOUT INSULATION
0004	SC660676 00	ICE SPOUT
0005	SC060551 02	KIT INSULATION, FREEZER
0006	SC420285 07	SCREW
0007	SC422285 01	SCREW
0008	SC440015 04	WASHER
0009	SC620404 03	HALL SENSOR
0010	SC620520 03	CAPACITOR 4 MFD
0010	SC620584 06	DRIVE MOTOR ONLY 230/50/1
0011	SC620619 00	GEAR REDUCER ONLY, NO MOTOR
0012	SC650515 02	PLASTIC COVER
0013	SC784476 01	MGT BRACKET ASSY
0014	SC651634 00	SPACER
0015	SC661186 01	MOTOR COVER
0016	SC794354 02R	FREEZER ASSY
0017	SC420000 13	SCREW
0018	SC420285 05	SCREW
0019	SC640041 43	O RING OR 2087 (WRAS-FDA)
0020	SC640041 55	O-RING
0021	SC640109 01	O RING FDA
0022	SC640113 02	WATER SEAL
0023	SC650297 00	SNAP RING
0024	SC650297 02	CLIP RING
0025	SC651656 02	AUGER
0026	SC651657 00	WATER SEAL RETAINER
0027	SC670041 02	TOP RADIAL BEARING - USE SC060720 01
0028	SC714037 01	HOOK UP
0029	SC734105 00	CAP WORM
0030	SC060720 01	ICE BREAKER ASSY
0031	SC784884 05R	WROM TUBE AF80L + EVAPOR. INSULATION
0032	SC060819 00	DRIVE MOTOR ASSY - 230/50/1



Pos	Code	Description
0001	SCCM 29070021	NLA
0002	SCCM 29015057	PLASTIC COVER
0003	SC060711 11	PC BOARD KIT 230V
0003	SC060711 13	PC BOARD KIT 115V
0004	SC630015 09	NO LONGER AVAILABLE
0004	SC630015 10	FUSE 16A/250V
0006	SC620404 13	WATER LEVEL PINS HERNESS
0007	SC620404 03	HALL SENSOR
0008	SC620404 11	CONDENSER SENSOR
0009	SC620404 10	EVAPORATOR SENSOR - NLA
0010	SC650674 02	ICE LEVEL CTRL-3 MTRS



Pos	Code	Description
0001	SCCM 29070021	NLA
0002	SCCM 29015057	PLASTIC COVER
0003	SC060711 11	PC BOARD KIT 230V
0003	SC060711 13	PC BOARD KIT 115V
0004	SC630015 09	NO LONGER AVAILABLE
0004	SC630015 10	FUSE 16A/250V
0006	SC620519 02	WATER SENSOR HARNESS-NTC
0007	SC620404 03	HALL SENSOR
0008	SC620519 04	CONDENSER SENSOR NTC
0009	SC620519 01	EVAPORATOR SENSOR NTC
0010	SC650674 02	ICE LEVEL CTRL-3 MTRS



Pos	Code	Description
0001	SCCM 29070021	NLA
0002	SCCM 29015057	PLASTIC COVER
0003	SC620462 16	PC BOARD - 115 V
0003	SC620462 23	PC BOARD 230V
0004	SC630015 15	FUSE T6,3A - 250V
0006	SC620519 02	WATER SENSOR HARNESS-NTC
0007	SC620404 03	HALL SENSOR
0008	SC620519 04	CONDENSER SENSOR NTC
0009	SC620519 01	EVAPORATOR SENSOR NTC
0010	SC650674 02	ICE LEVEL CTRL-3 MTRS