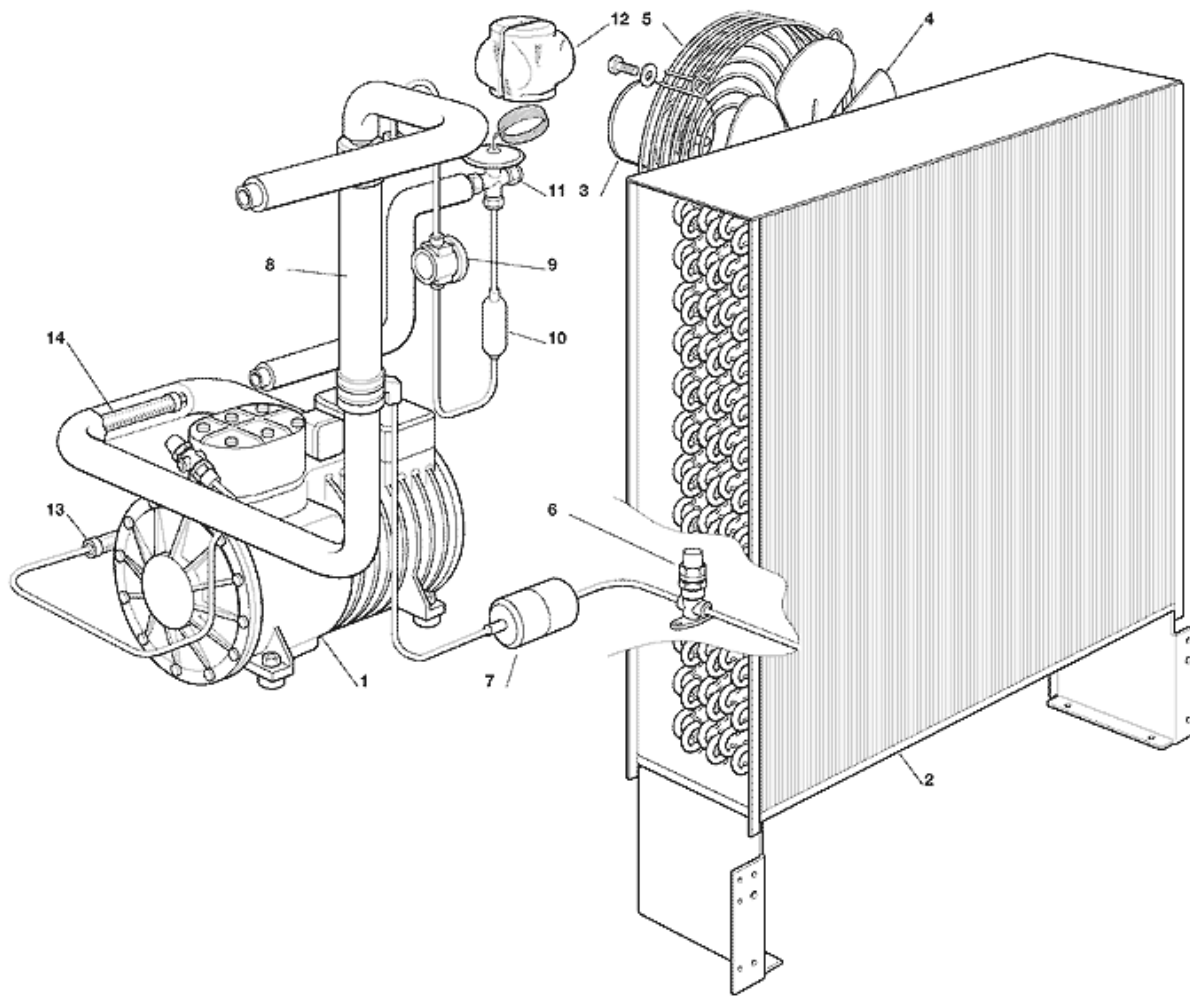
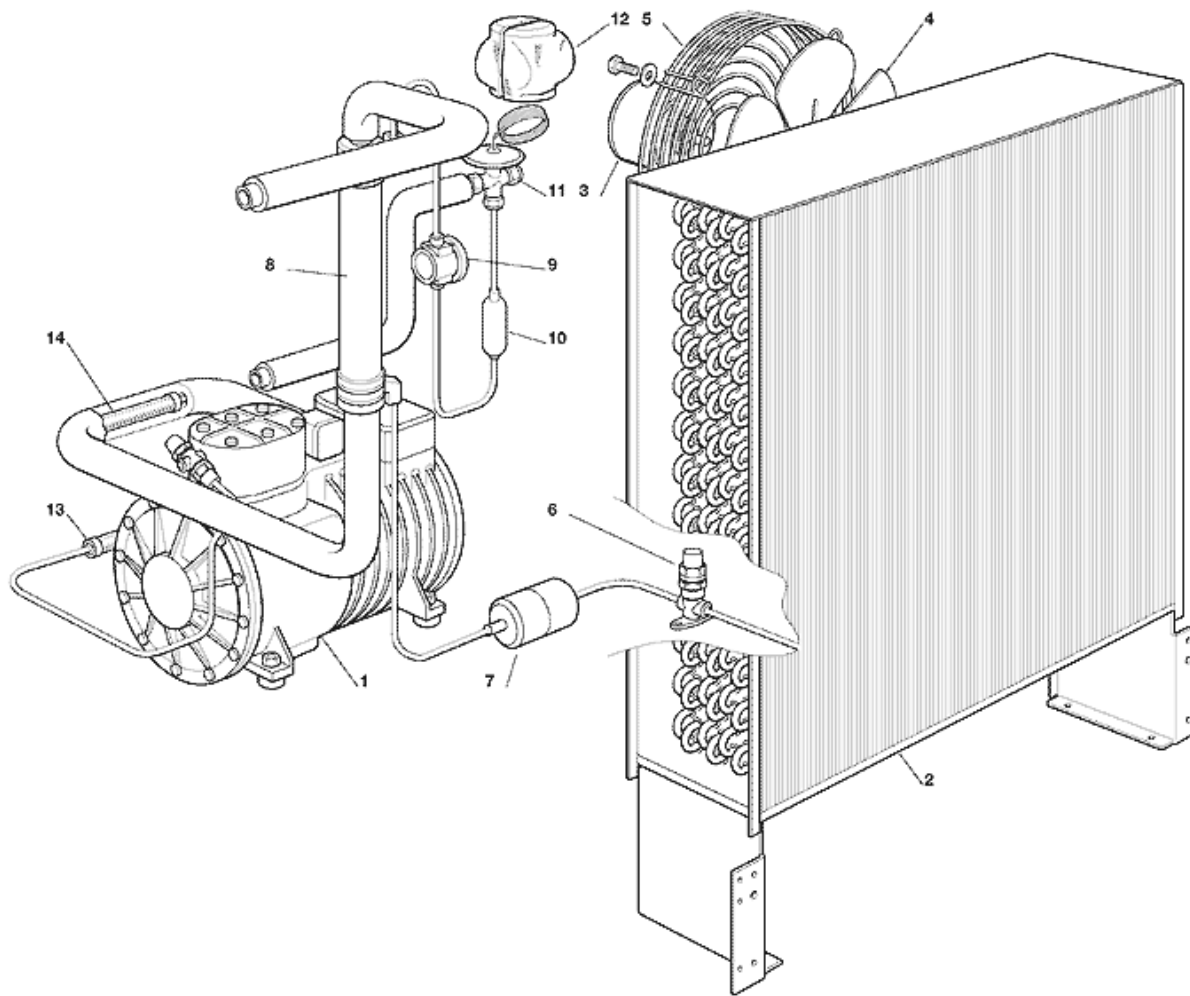


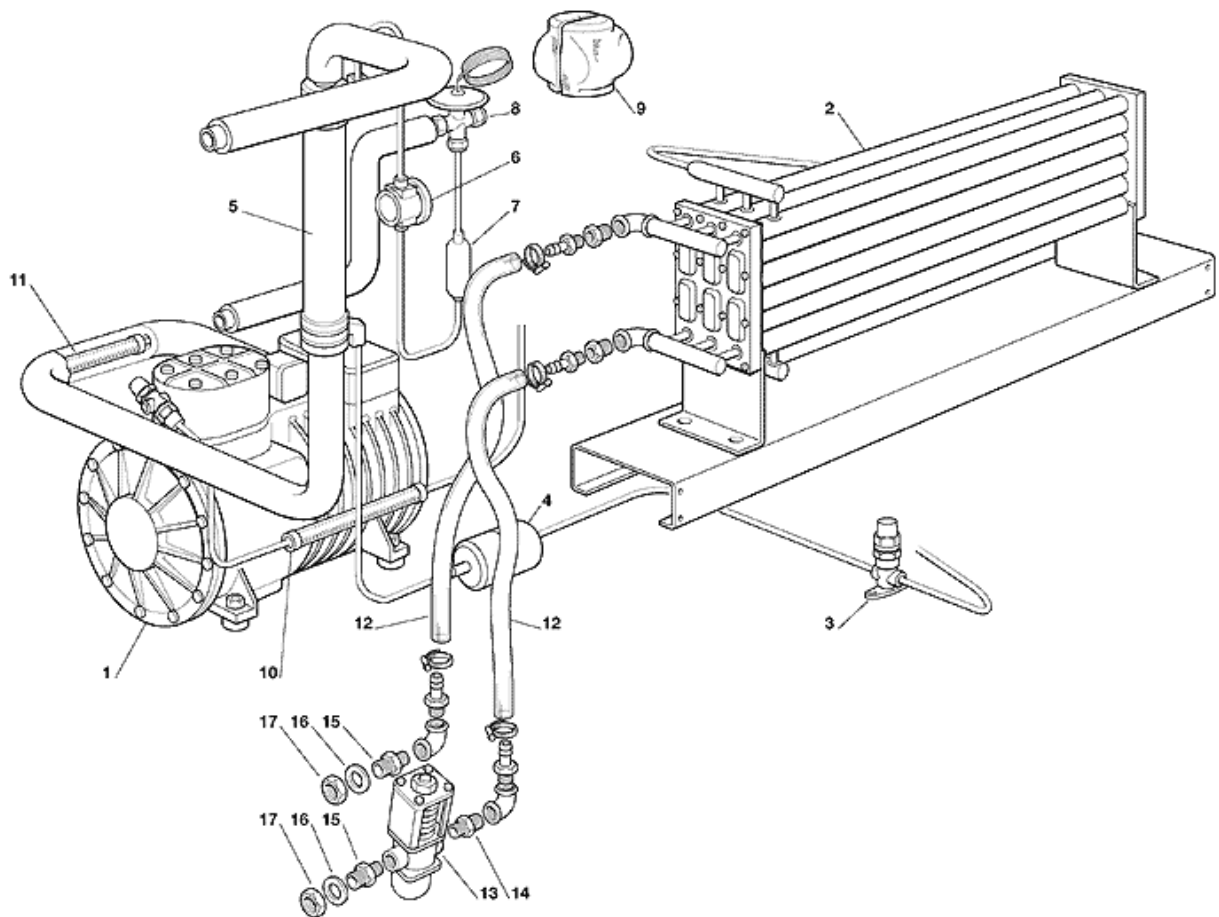
Pos	Code	Description
0001	SC781455 00	UNIT BASE
0002	SC722223 00	CORNER LEFT FRONT SIDE
0003	SC722222 00	UNIT CORNER
0004	SC722222 00	UNIT CORNER
0005	SC722222 00	UNIT CORNER
0007	SC702496 00	SIDE TRIM
0008	SC702496 00	SIDE TRIM
0009	SC702435 00	BRACKET
0010	SC660858 00	TOP PANEL
0010	SC722218 00	PANEL, WATER CONNECTIONS
0011	SC722214 00	FRONT PANEL
0012	SC722217 00	LEFT SIDE PANEL
0013	SC722216 00	RIGHT SIDE PANEL
0014	SC722220 00	REAR BOTTOM PANEL
0015	SC722219 00	REAR UPPER PANEL
0016	SC660504 01	SPOUT OPENING FRAME
0017	SC660504 00	SPOUT OPENING COVER
0018	SC650850 00	SCOTSMAN EMBLEM
0019	SC650880 00	LEG



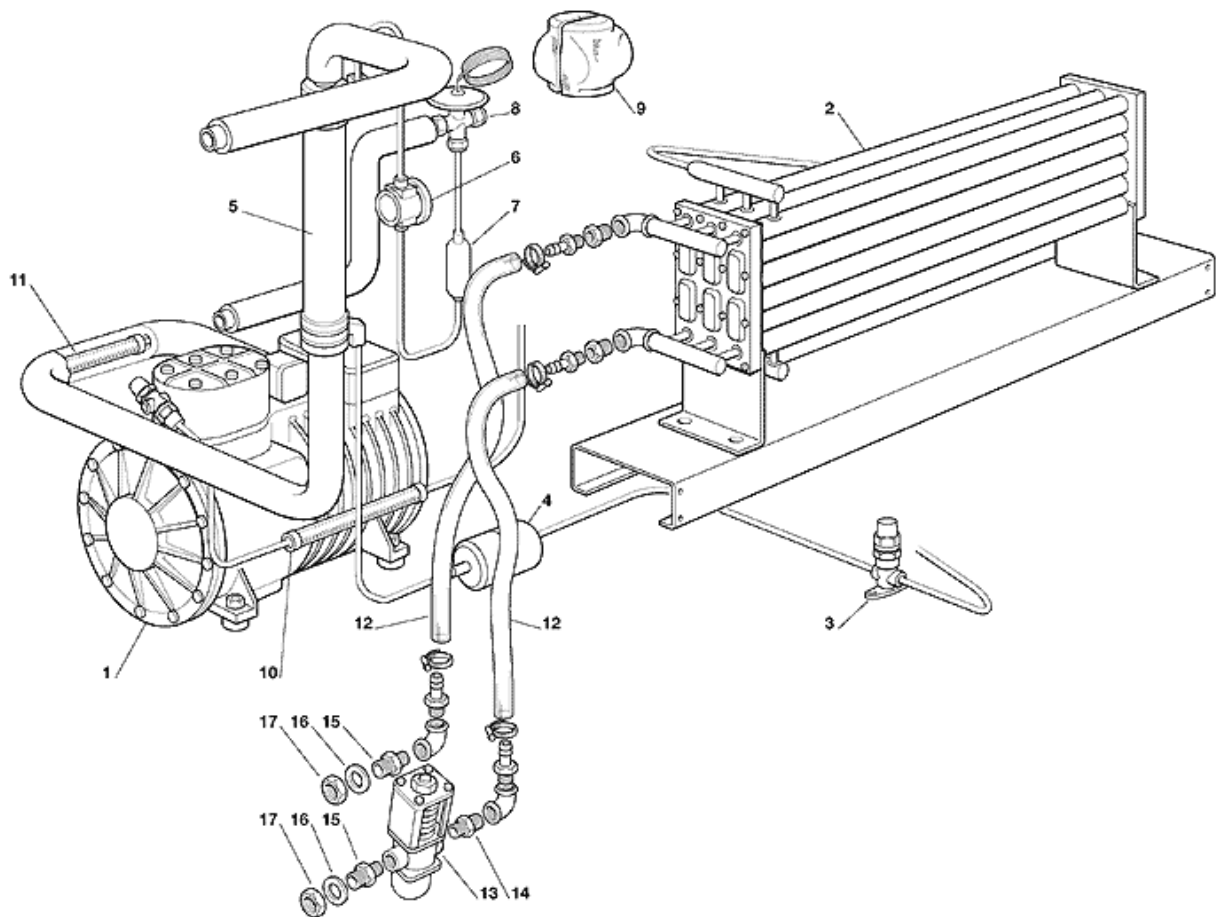
Pos	Code	Description
0001	SC630112 03	CRANKASE HEATER
0001	SC670104 00	USE SC670104 05
0002	SC620381 00	AIR COOLED CONDENSER
0003	SC620273 02	MOTOR - USE SC620641 00
0004	SC620274 01	USE SC620641 00
0005	SC620641 00	FAN MOTOR ASSY
0006	SC620372 02	SERV. VALVE
0007	SC670024 01	FILTER
0008	SC620317 01	HEAT EXCHANGER
0009	SC620324 02	SIGHT GLASS
0010	SC630117 00	MECH. FILTER
0011	SC620427 57	AUT. EXP. VALVE
0012	SC650740 00	TXV INSULATION
0014	SC650313 01	NLA



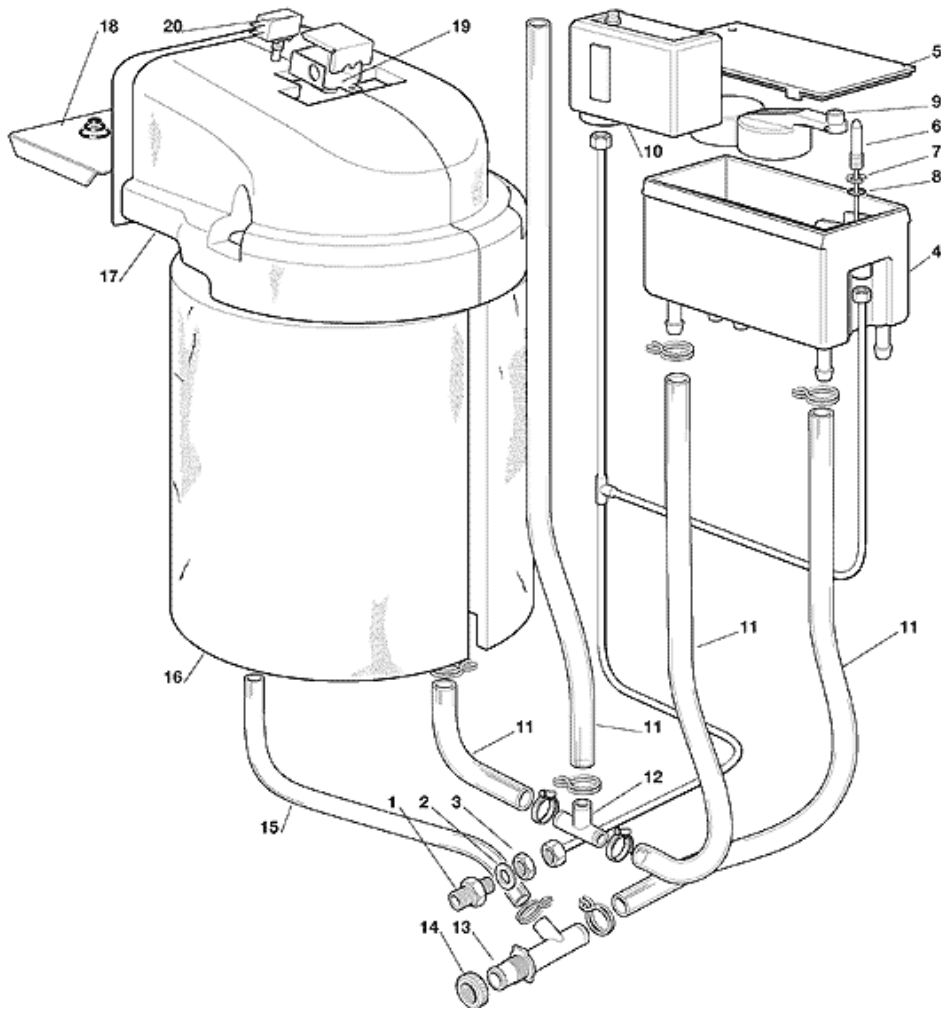
Pos	Code	Description
0001	SC630112 03	CRANKASE HEATER
0001	SC670104 00	USE SC670104 05
0002	SC620381 00	AIR COOLED CONDENSER
0003	SC620273 02	MOTOR - USE SC620641 00
0004	SC620274 01	USE SC620641 00
0005	SC620641 00	FAN MOTOR ASSY
0006	SC620372 02	SERV. VALVE
0007	SC670024 01	FILTER
0008	SC620317 01	HEAT EXCHANGER
0009	SC620324 02	SIGHT GLASS
0010	SC630117 00	MECH. FILTER
0011	SC620427 57	AUT. EXP. VALVE
0012	SC650740 00	TXV INSULATION
0013	SC650313 07	VIBRATION ABSORBER
0014	SC650313 01	NLA



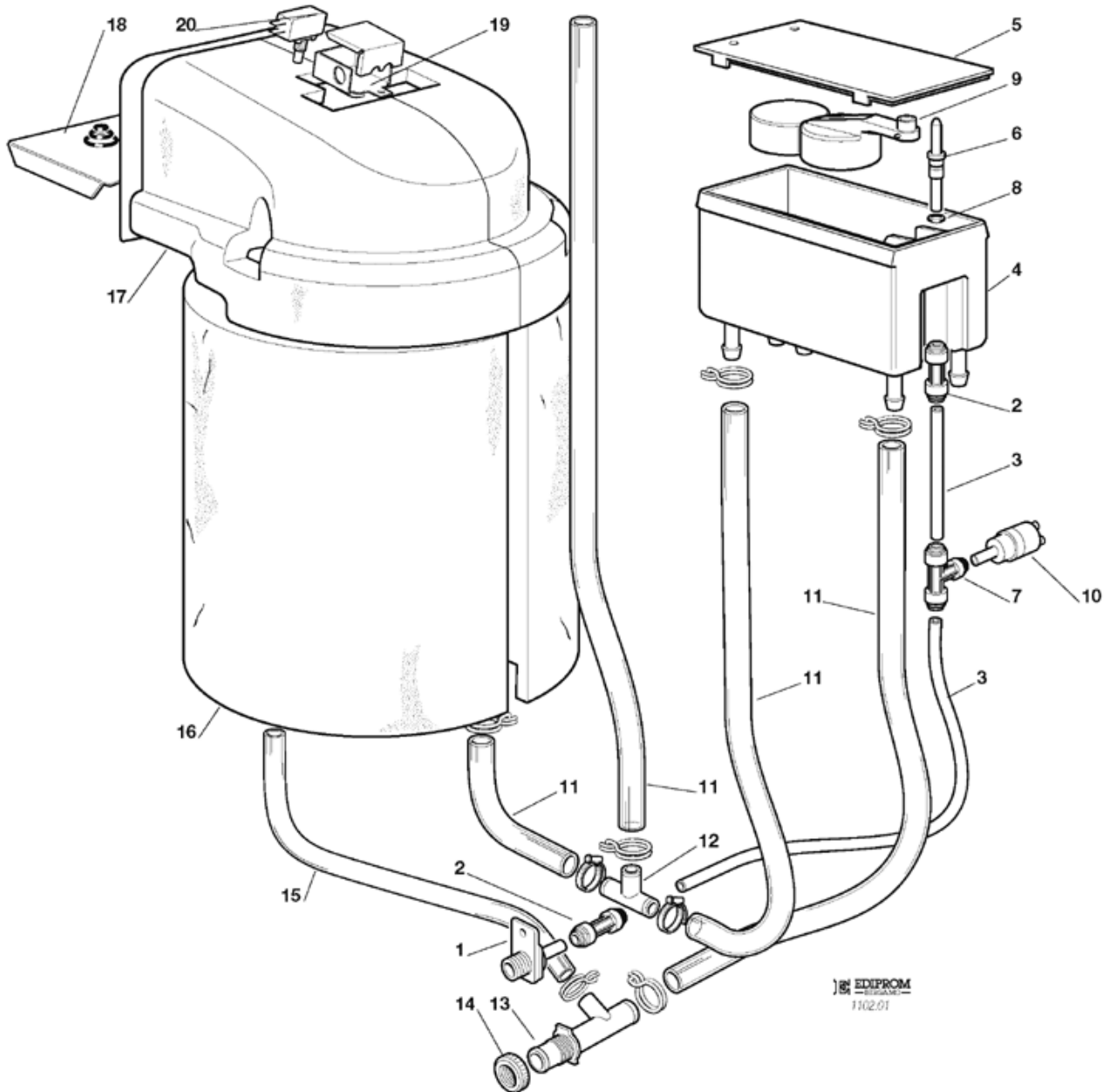
Pos	Code	Description
0001	SC630112 03	CRANKASE HEATER
0001	SC670104 00	USE SC670104 05
0002	SC620457 00	WATER COOLED CONDENSER
0003	SC620372 02	SERV. VALVE
0004	SC670024 01	FILTER
0005	SC620317 01	HEAT EXCHANGER
0006	SC620324 02	SIGHT GLASS
0007	SC630117 00	MECH. FILTER
0008	SC620427 57	AUT. EXP. VALVE
0009	SC650740 00	TXV INSULATION
0011	SC650313 01	NLA
0012	SC281900 02	TUBE 26X19
0013	SC620111 01	WATER REGULATING VALVE
0014	SC650423 04	FITTING
0016	SC400052 00	WASHER
0017	SC400053 00	NUT



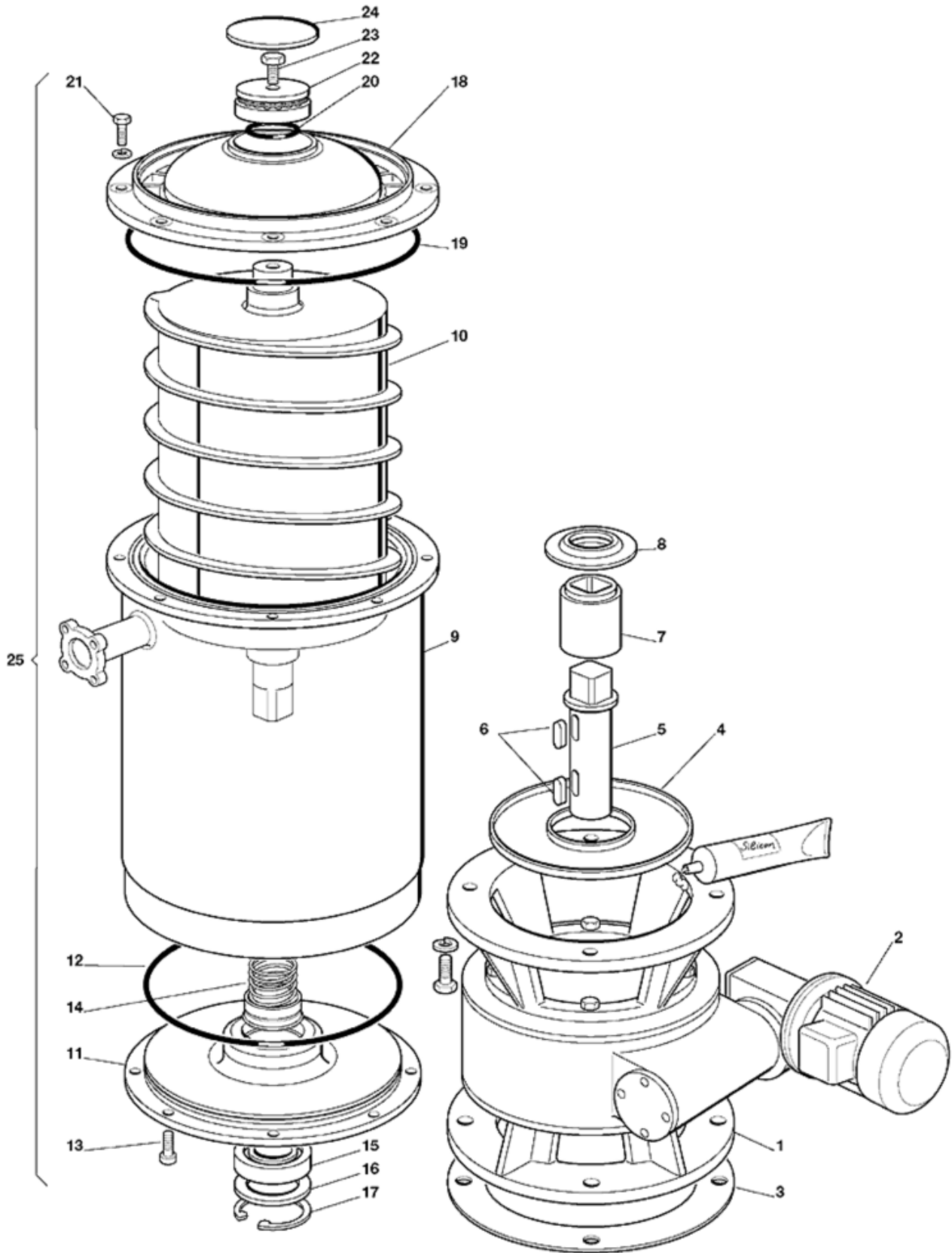
Pos	Code	Description
0001	SC630112 03	CRANKASE HEATER
0001	SC670104 00	USE SC670104 05
0002	SC620457 00	WATER COOLED CONDENSER
0003	SC620372 02	SERV. VALVE
0004	SC670024 01	FILTER
0005	SC620317 01	HEAT EXCHANGER
0006	SC620324 02	SIGHT GLASS
0007	SC630117 00	MECH. FILTER
0008	SC620427 57	AUT. EXP. VALVE
0009	SC650740 00	TXV INSULATION
0010	SC650313 07	VIBRATION ABSORBER
0011	SC650313 01	NLA
0012	SC281900 02	TUBE 26X19
0013	SC620111 01	WATER REGULATING VALVE
0014	SC650423 04	FITTING
0016	SC400052 00	WASHER
0017	SC400053 00	NUT



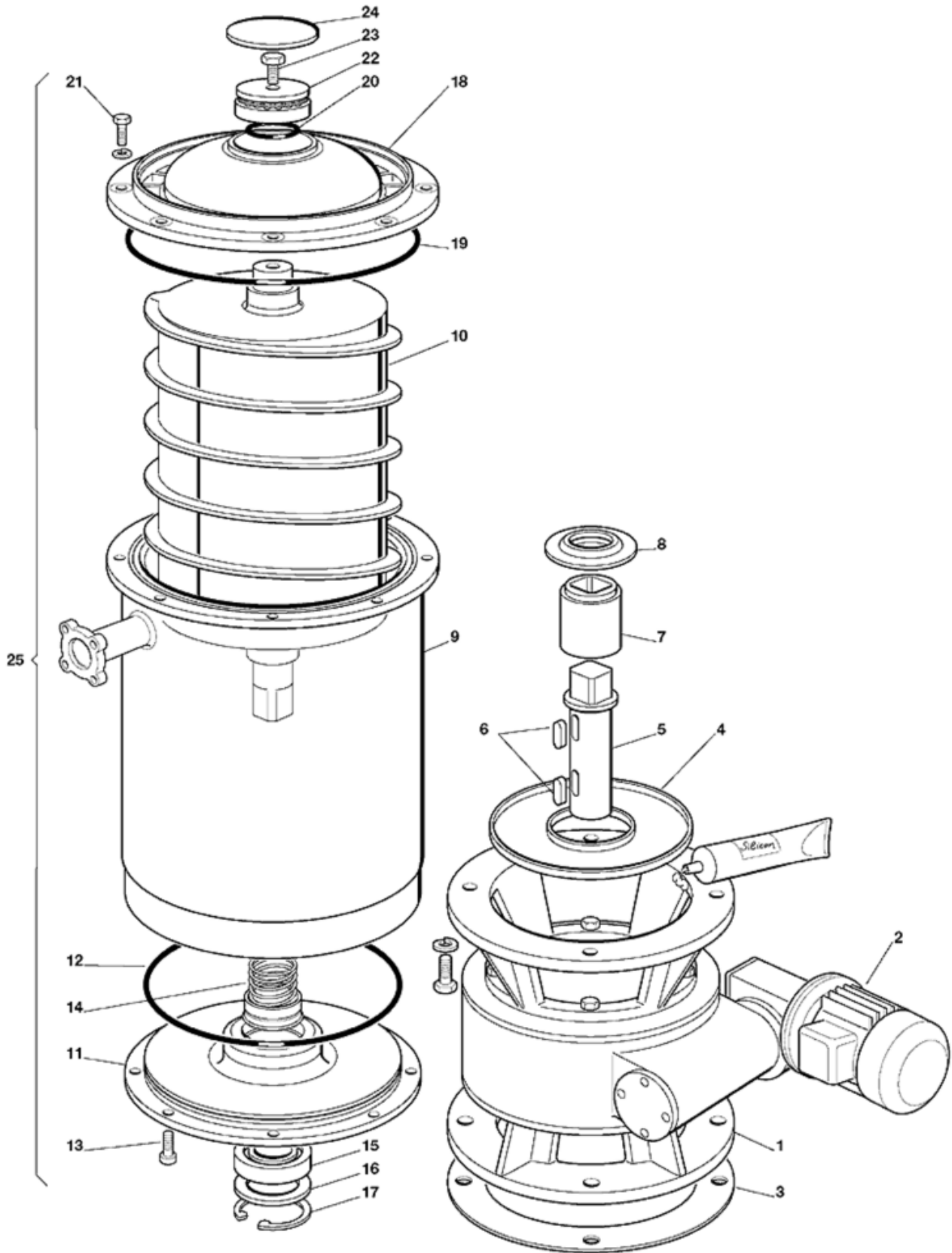
Pos	Code	Description
0002	SC400031 00	WASHER
0003	SC400030 01	NUT
0004	SC793126 14R	RESERVOIR ASSY
0005	SC783160 00	RESERVOIR COVER
0006	SC060742 01	KIT NOZZLE LARGE
0007	SC460038 02	RETAINING CLIP
0008	SC640100 00	O RING OR 2025 (WRAS-FDA)
0009	SC660585 01	FLOAT VALVE
0010	SC620451 00	PRESSOSTAT
0011	SC281830 00	PLASTIC HOSE
0012	SC610053 03	T FITTING
0013	SC660224 00	TEE TUBE
0014	SC660535 00	PLASTIC NUT
0015	SC610159 04	TUBE
0016	SC650736 00	INSULATION
0017	SC795322 00R	SPOUT ASSY
0018	SC724370 00	PRESSURE PLATE
0019	SC724372 00	COVER
0020	SC620396 00	SPOUT SWITCH



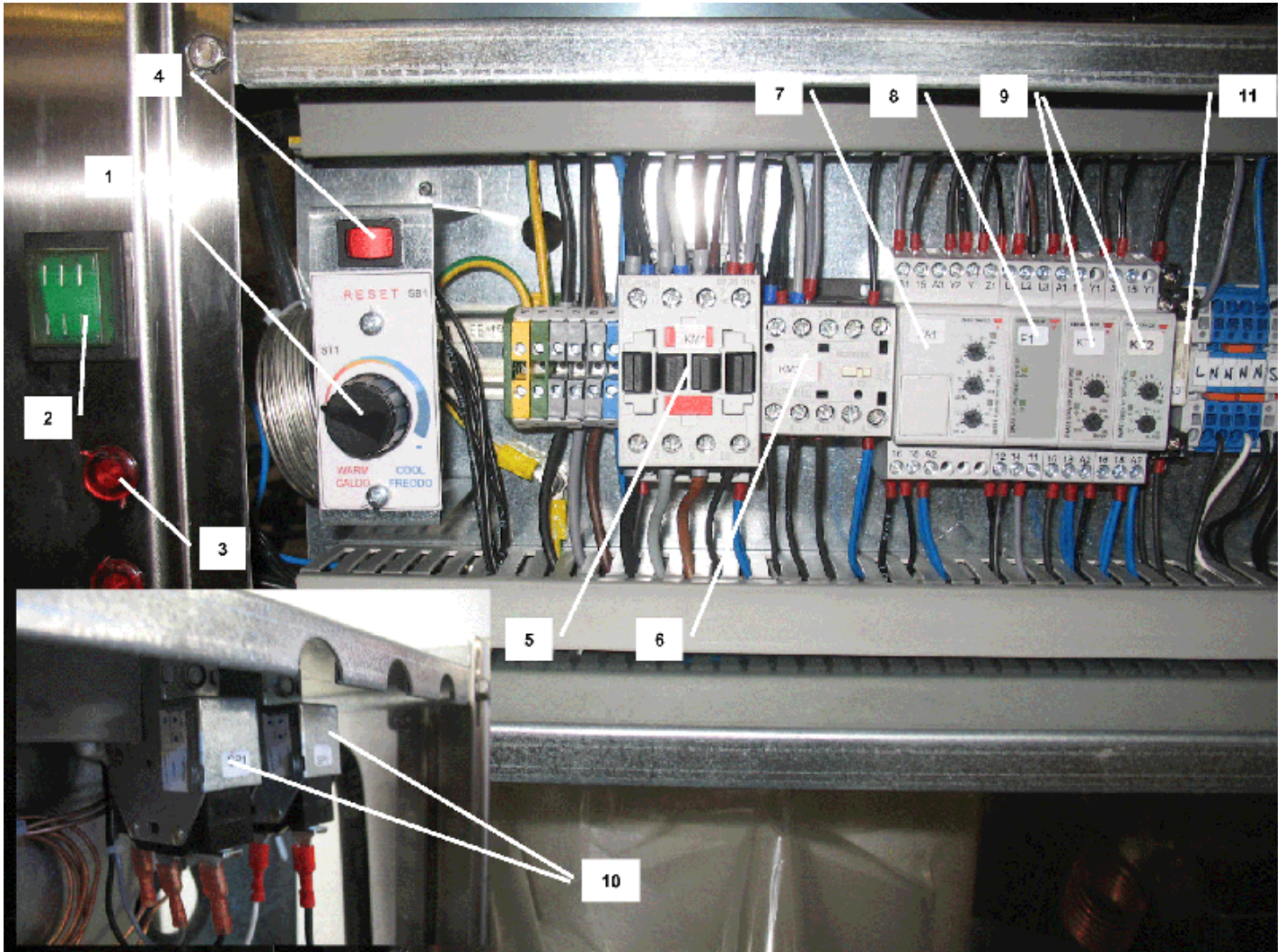
Pos	Code	Description
0001	SC650104 00	FILTER
0001	SC660956 00	WATER IN PLASTIC FITTING
0002	SC651224 04	1/4 F-5/16F CONNECTOR
0003	SC651206 02	1/4 OD NYLON TUBE
0004	SC783159 00	WATER RESERVOIR
0005	SC783160 00	RESERVOIR COVER
0006	SC660957 01	PLASTIC NOZZLE
0007	SC651224 02	T FITTING
0008	SC640100 00	O RING OR 2025 (WRAS-FDA)
0009	SC660585 01	FLOAT VALVE
0010	SC620451 00	PRESSOSTAT
0011	SC281830 00	PLASTIC HOSE
0012	SC610053 03	T FITTING
0013	SC660224 00	TEE TUBE
0014	SC660535 00	PLASTIC NUT
0015	SC610159 04	TUBE
0016	SC650736 00	INSULATION
0017	SC795322 00R	SPOUT ASSY
0018	SC724370 00	PRESSURE PLATE
0019	SC724372 00	COVER
0020	SC620396 00	SPOUT SWITCH



Pos	Code	Description
0001	SC060615 03	GEAR REDUCER KIT-HYDROMECH
0002	SC620517 01	HYDR. 80A DRIVE MOTOR
0003	SC650584 00	GASKET
0004	SC660764 00	NO LONGER AVAILABLE
0005	SC704255 00	GEAR REDUCER SHAFT
0006	SC460043 00	KEY
0007	SC650543 00	COUPLING
0008	SC640108 00	WATER DRIP SHIELD
0009	SC650672 03	USE SC650672 04
0010	SC784352 06	AUGER
0011	SC743144 00	LOW FLANGE
0012	SC640041 24	O RING OR 6975
0013	SC420285 03	SCREW
0014	SC650525 00	SEAL MECH.
0015	SC651062 00	LO BEARING
0016	SC651010 00	WASHER
0017	SC460044 00	SEGER
0018	SC743140 03	ICE BREAKER
0019	SC640041 14	O RING OR 41150 NB70
0020	SC640041 16	O RING OR 6212 NB 70
0021	SC420002 21	SCREW M8X30 INOX
0022	SC651062 01	TOP BEARING
0023	SC420002 18	SCREW
0024	SC660492 01	ABS COVER
0025	SC794293 00R	FREEZER ASSY



Pos	Code	Description
0001	SC620517 00	GEAR MOTOR ASSY
0002	SC620517 01	HYDR. 80A DRIVE MOTOR
0003	SC650584 00	GASKET
0004	SC660994 00	WATER DRIP TRAY
0005	SC704255 00	GEAR REDUCER SHAFT
0006	SC460043 00	KEY
0007	SC650543 00	COUPLING
0008	SC640108 00	WATER DRIP SHIELD
0009	SC650672 03	USE SC650672 04
0010	SC784352 06	AUGER
0011	SC743144 00	LOW FLANGE
0012	SC640041 24	O RING OR 6975
0013	SC420285 03	SCREW
0014	SC650525 00	SEAL MECH.
0015	SC651062 00	LO BEARING
0016	SC651010 00	WASHER
0017	SC460044 00	SEEGER
0018	SC743140 03	ICE BREAKER
0019	SC640041 14	O RING OR 41150 NB70
0020	SC640041 16	O RING OR 6212 NB 70
0021	SC420002 21	SCREW M8X30 INOX
0022	SC651062 01	TOP BEARING
0023	SC420002 18	SCREW
0024	SC660492 01	ABS COVER
0025	SC794293 00R	FREEZER ASSY



Pos	Code	Description
0001	SC620631 02	BIN THERMOSTAT
0002	SC630113 00	ON-OFF LIGHTED SWITCH
0002	SC630113 01	SWITCH PROTECTION
0003	SCEQ LAMP230RO	WARNING LIGHT - USE SC630091 14
0004	SCEQ PULS01	PUSH BUTTON - USE SC620631 08
0005	SC630148 03	CONTACTOR 230/50-60
0006	SC620631 05	CONTACTOR
0007	SC620529 00	CURRENT RELAY
0008	SC620631 01	PHASE MONITORING RELAY
0009	SC620485 00	DELAY TIMER
0010	SC620508 00	USE 620075 02
0011	SC060749 00	KIT RELAY & RELAY SOCKET