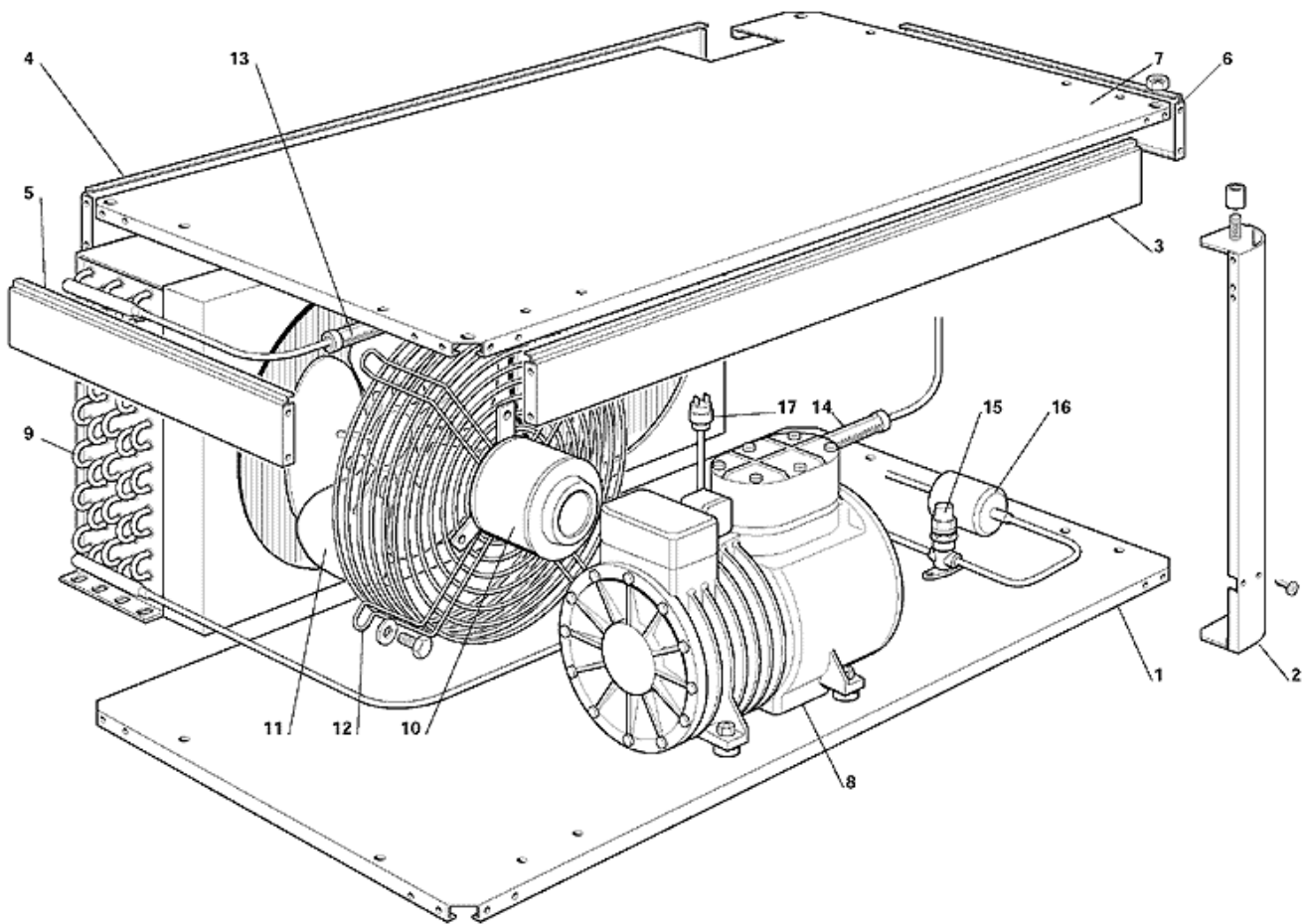
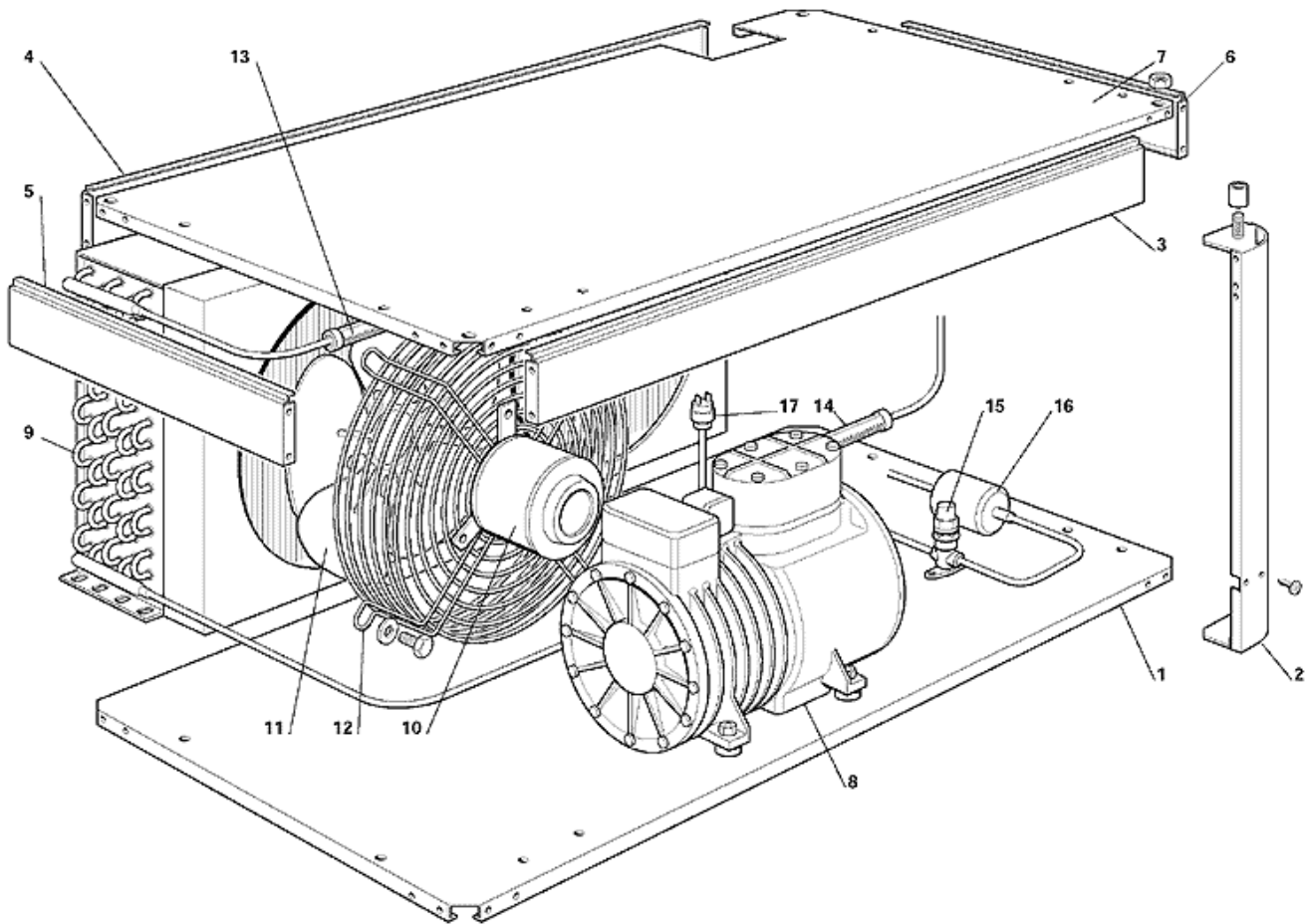


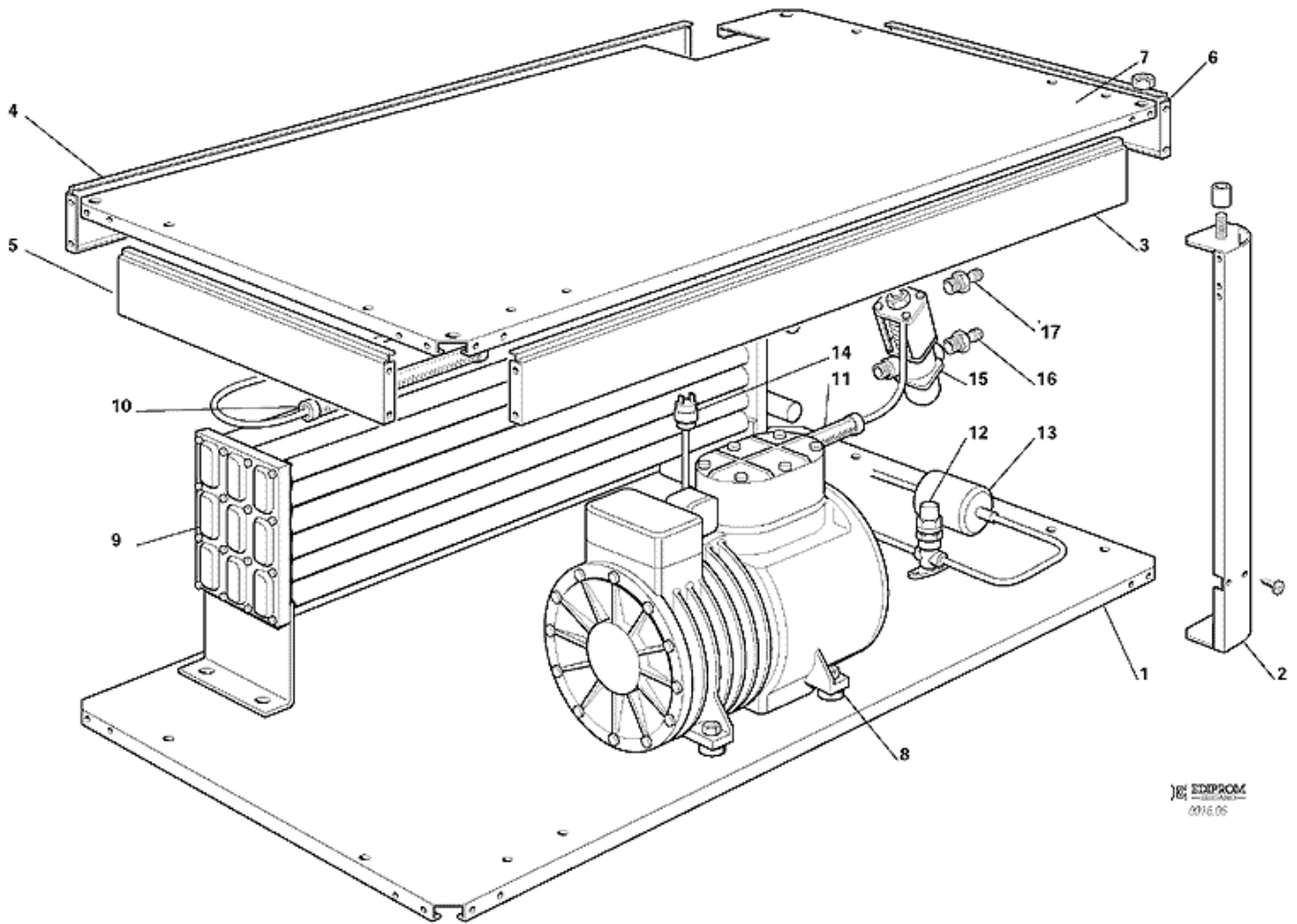
Pos	Code	Description
0001	SC784500 04	UNIT BASE ASSY
0002	SC721728 00	LEFT SIDE PANEL
0003	SC721723 00	RIGHT SIDE PANEL
0004	SC784501 08	PANEL , REAR LEFT
0005	SC784502 20	PANEL, REAR RIGHT
0006	SC791108 01R	ASSY FRONT PANEL
0007	SC650850 00	SCOTSMAN EMBLEM
0008	SC660724 02	ICE SPOUT LARGE - USE SC660724 03
0009	SC741120 00	TEFLON ICE CHUTE
0010	SC650595 00	PLASTIC BUTTON
0011	SC721733 00	EVAPORATOR COVER
0012	SC660954 00	TOP PANEL



Pos	Code	Description
0001	SC784500 06	UNIT BASE ASSY
0002	SC784505 00	COLUMN ASSY
0003	SC721760 01	BRACKET
0004	SC721761 00	BRACKET
0005	SC721760 00	BRACKET
0006	SC721760 00	BRACKET
0007	SC784500 04	UNIT BASE ASSY
0008	SC670104 04	COMPRESSOR



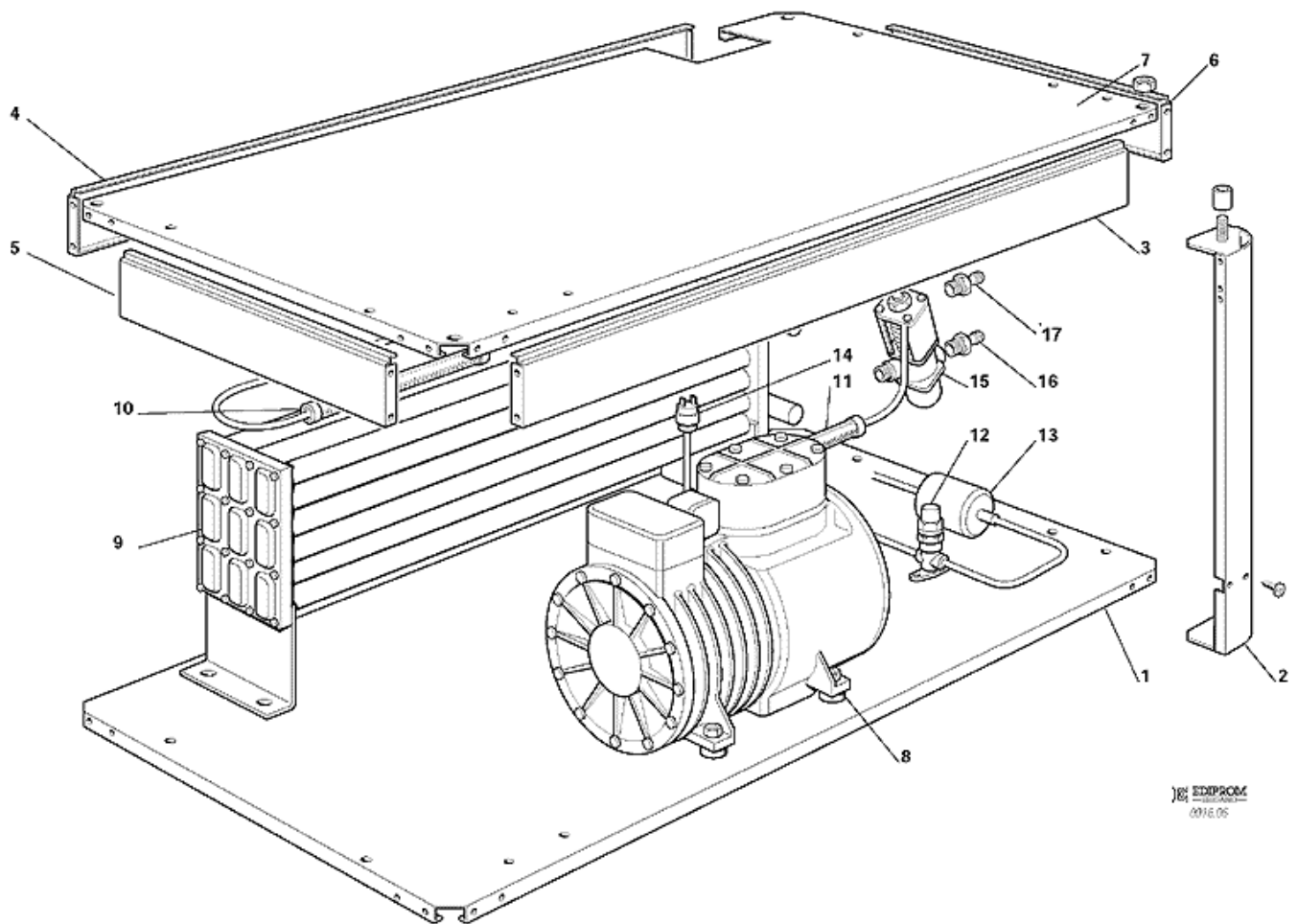
Pos	Code	Description
0001	SC784500 06	UNIT BASE ASSY
0002	SC784505 00	COLUMN ASSY
0003	SC721760 01	BRACKET
0004	SC721761 00	BRACKET
0005	SC721760 00	BRACKET
0006	SC721760 00	BRACKET
0007	SC784500 04	UNIT BASE ASSY
0008	SC670104 04	COMPRESSOR



EMPRON  
0016.05

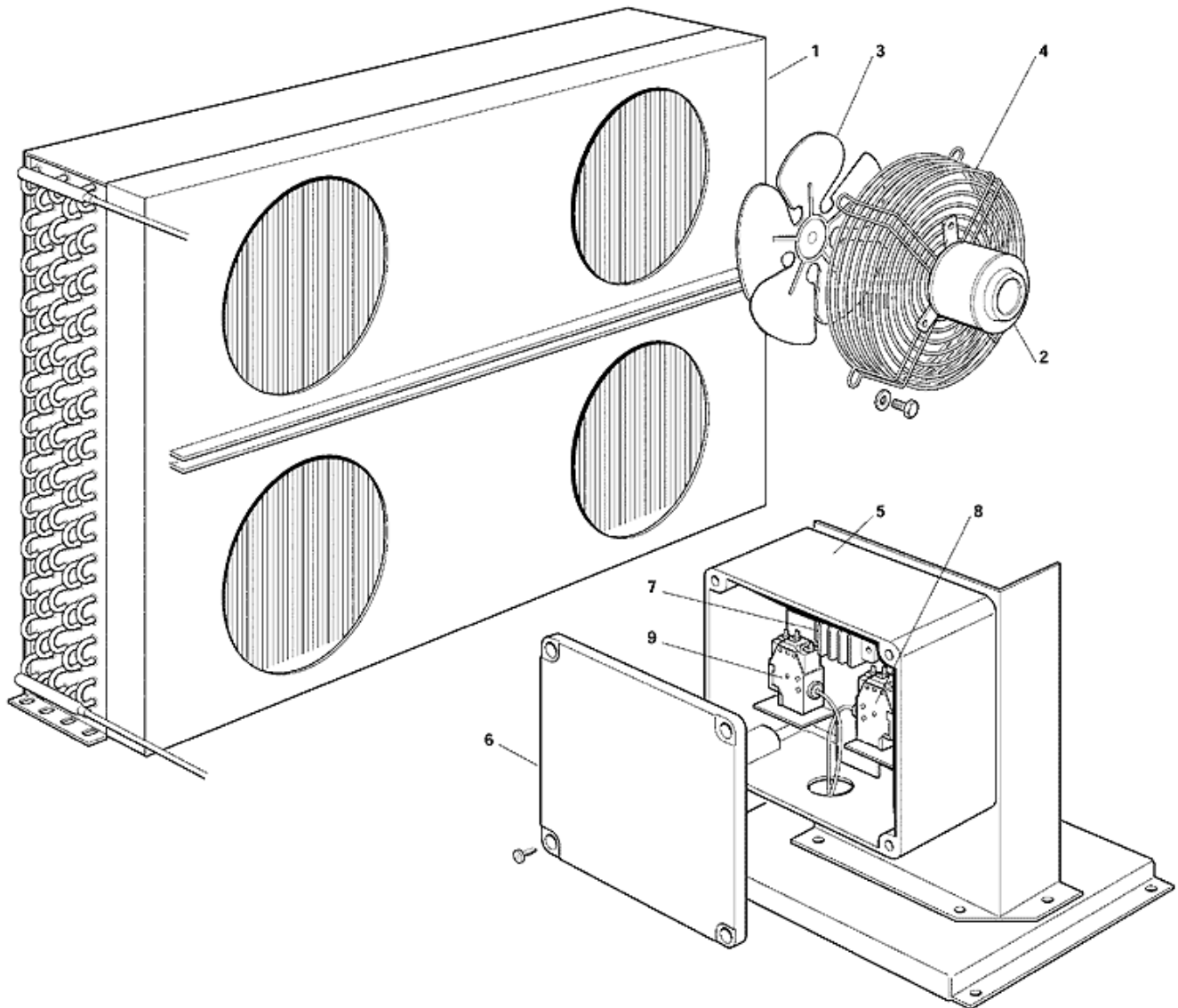
Pos	Code	Description
0001	SC784500 06	UNIT BASE ASSY
0002	SC784505 00	COLUMN ASSY
0003	SC721760 01	BRACKET
0004	SC721760 01	BRACKET
0005	SC721760 00	BRACKET
0006	SC721760 00	BRACKET
0007	SC784500 04	UNIT BASE ASSY
0008	SC670104 04	COMPRESSOR
0009	SC620452 00	WATER COOLED CONDENSER
0010	SC650313 01	NLA
0011	SC650313 02	VIBRATION ABSORBER
0012	SC620372 02	SERV. VALVE
0013	SC670024 01	FILTER
0014	SC620451 00	PRESSOSTAT
0015	SC620310 05	WATER REG. VALVE
0016	SC650425 02	FITTING
0017	SC650425 02	FITTING



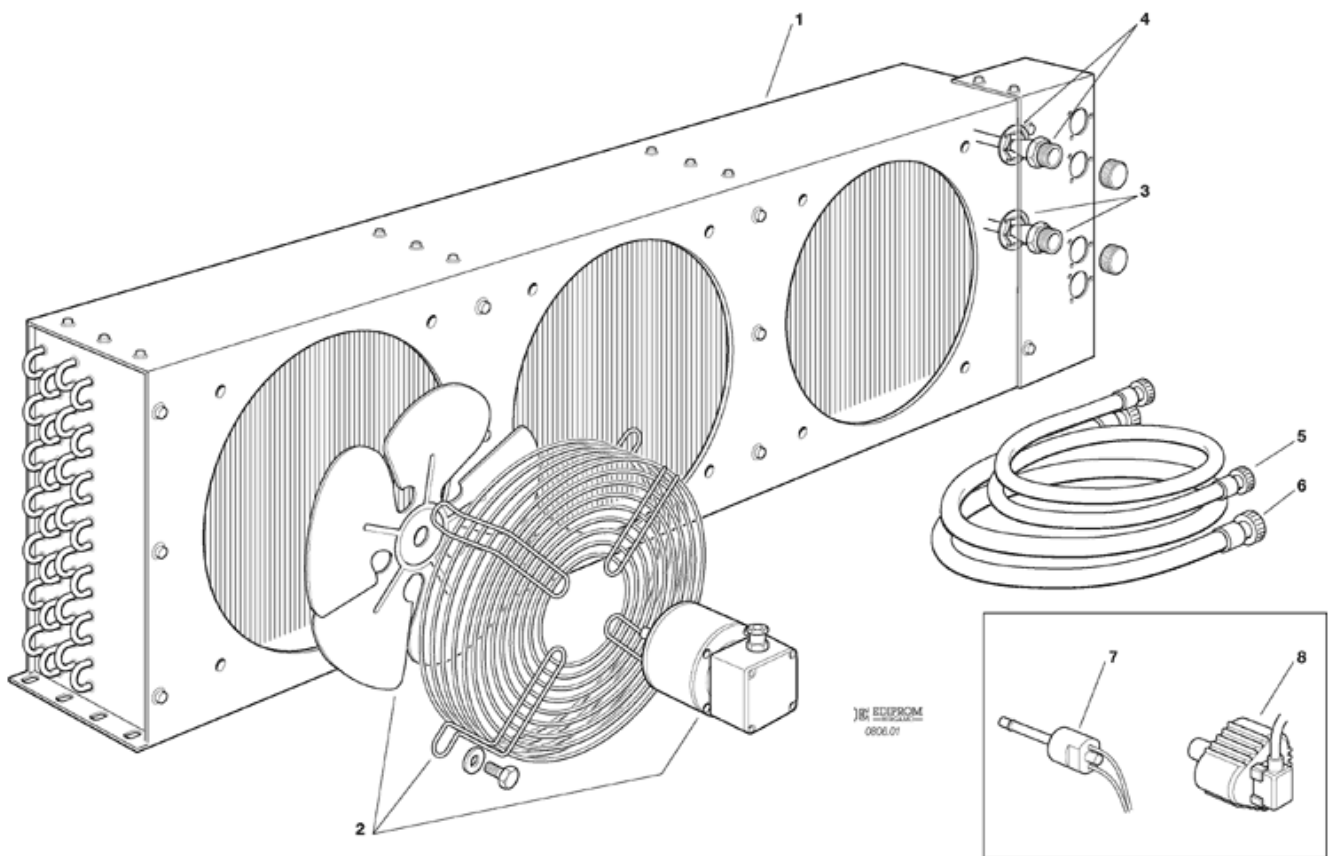


EMPRON  
0016.05

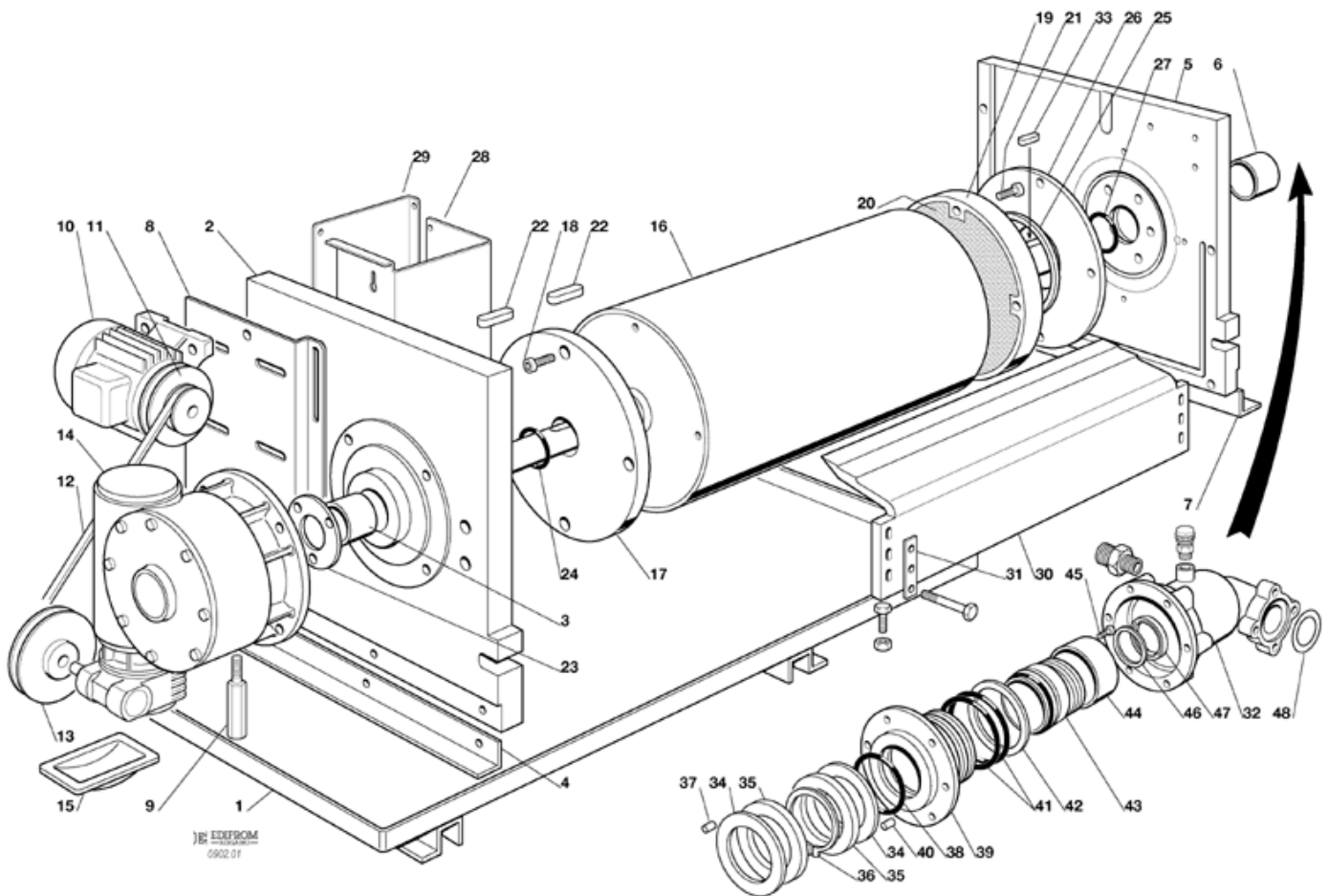
Pos	Code	Description
0001	SC784500 06	UNIT BASE ASSY
0002	SC784505 00	COLUMN ASSY
0003	SC721760 01	BRACKET
0004	SC721760 01	BRACKET
0005	SC721760 00	BRACKET
0006	SC721760 00	BRACKET
0007	SC784500 04	UNIT BASE ASSY
0008	SC670104 04	COMPRESSOR
0009	SC620452 00	WATER COOLED CONDENSER
0010	SC650313 01	NLA
0011	SC650313 02	VIBRATION ABSORBER
0012	SC620372 02	SERV. VALVE
0013	SC670024 01	FILTER
0014	SC620451 00	PRESSOSTAT
0015	SC620310 05	WATER REG. VALVE
0016	SC650425 02	FITTING
0017	SC650425 02	FITTING



Pos	Code	Description
0001	SC620381 00	AIR COOLED CONDENSER
0002	SC620273 02	MOTOR - USE SC620641 00
0003	SC620274 01	USE SC620641 00
0004	SC620641 00	FAN MOTOR ASSY
0005	SC630111 01	ELECTRIC BOX
0006	SC630111 01	ELECTRIC BOX
0007	SC630114 01	TERMINAL BOARD
0008	SC620508 00	USE 620075 02
0009	SC620508 00	USE 620075 02

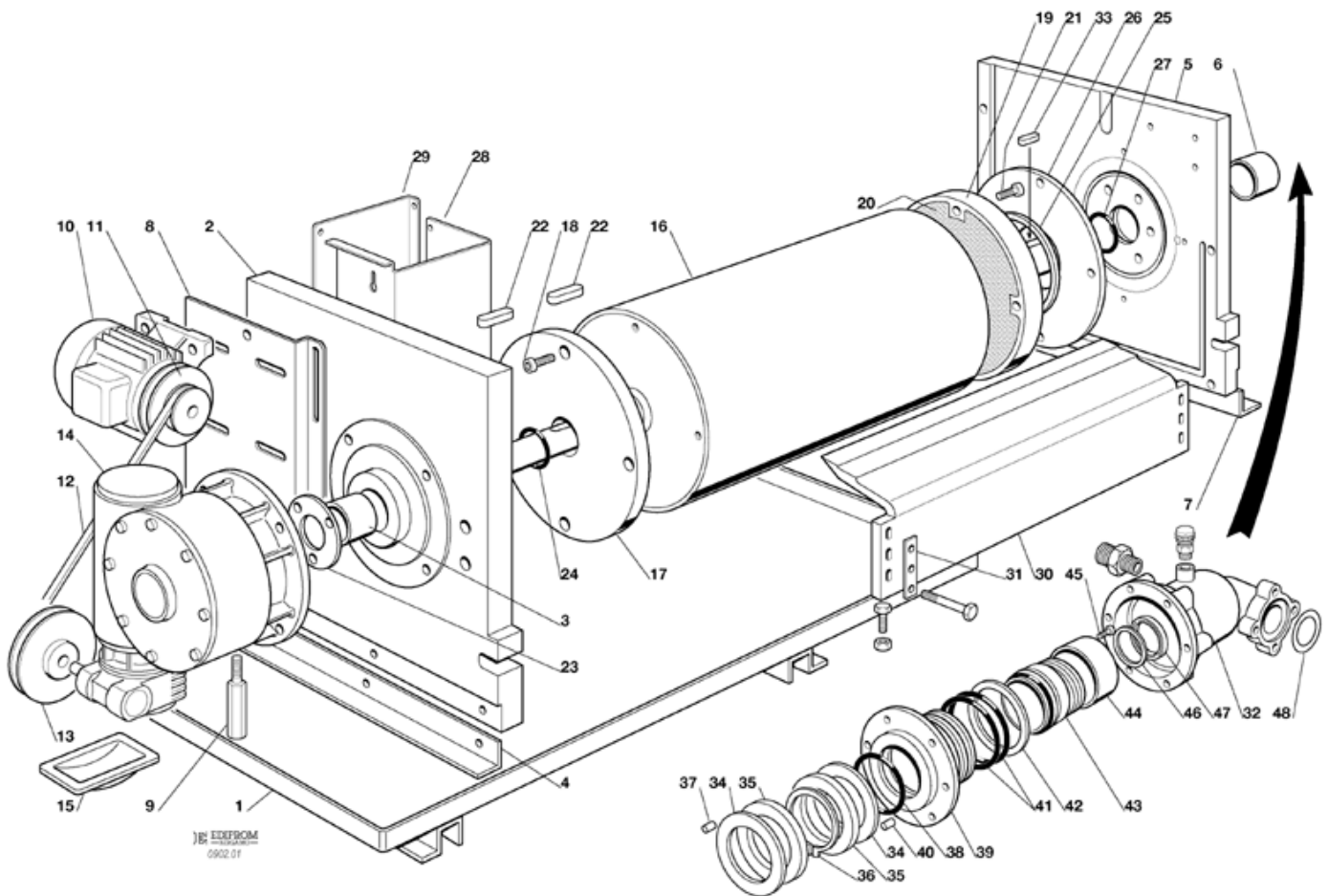


Pos	Code	Description
0001	SC620418 02	CONDENSER
0002	SC001028 32	MOT. N BLADE-350 MM
0003	SC650438 00	REFRIGERANT HALF COUPLING
0004	SC650438 05	ATTACCO MASC. 5502-10B-08
0005	SC650437 00	HALF COUPLING FEMALE
0006	SC650437 05	FEMALE QUICK CONNECTOR
0007	SC620498 00	HI PRESSURE CTRL SAFETY
0008	SC620500 00	SPEED CONTROL

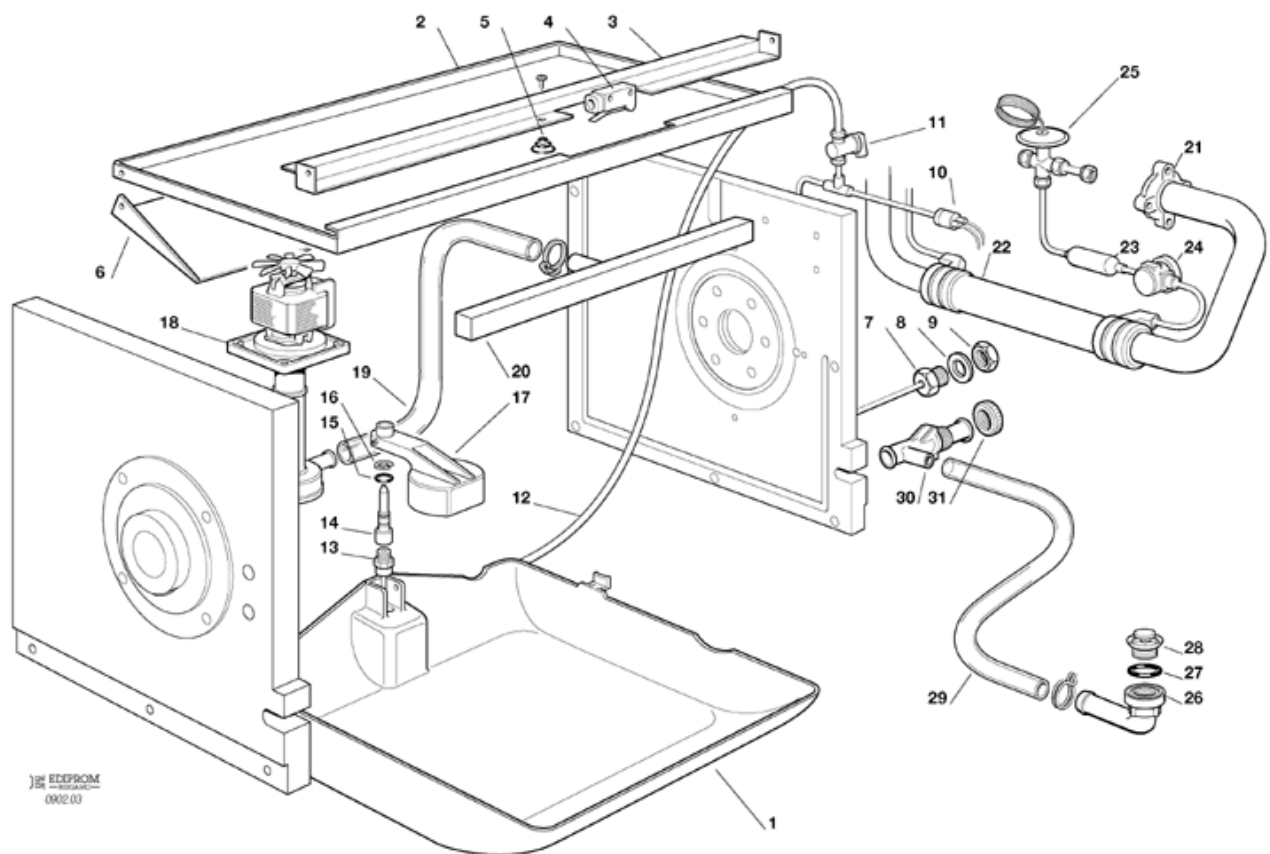


Pos	Code	Description
0001	SC722683 00	WATER DRIP TRAY
0002	SC660946 01	BESIN SIDE-GEAR REDUCER
0003	SC651060 01R	BUSHING
0005	SC660945 01	BESIN SIDE-REFRIGERANT
0006	SC651060 02R	BUSHING
0008	SC784350 12	MOTOR BRACKET SLEIGHT
0010	SC620316 02	DRIVE MOTOR
0011	SC650879 05	PULLEY 83
0012	SC650878 02	V BELT XPZ937
0013	SC650879 08	PULLEY 129
0014	SC060682 01	GEAR REDUCER KIT
0016	SC784353 09	DRUM ASSY
0017	SC742111 01	SPACER RIGHT
0018	SC420014 10	SCREW
0019	SC742110 01	EVAP. SPACER
0020	SC650615 01	EVAP. INSULATION
0021	SC420014 09	SCREW
0022	SC741092 03	FIBER KEY
0023	SC724254 06	FLANGE
0024	SC640041 18	O RING
0025	SC640107 01	GASKET
0027	SC640041 18	O RING
0028	SC724432 00	WATER PUMP BRACKET
0029	SC724433 00	WATER PUMP BRACKET COVER
0030	SC723168 01	SCRAPING BLADE
0031	SC721341 03	PLATE
0032	SC650865 00	INSULATION
0032	SC651219 00	INSULATION
0032	SC651816 00	GUARNIZIONE PIANA PER MAR
0032	SC743127 01	REFR. MANIFOLD
0033	SC724260 00	KEY
0034	SC651061 00	WASHER
0035	SC724257 00	SPACER
0036	SC460000 02	CLIP RING
0037	SC723133 00	PIN
0038	SC640041 13	O RING
0039	SC724307 00	RING HOUSING
0040	SC460039 03	ROLL PIN
0041	SC640041 80	O RING
0042	SC640101 00	O RING
0043	SC001028 05	KIT SEAL MECH. & GASKET
0043	SC060670 00	GASKET KIT - MAR
0044	SC724308 00	SPACER RING
0045	SC420014 08	SCREW
0046	SC724256 01	WASHER
0047	SC640096 00	RING GASKET W/SPRING
0048	SC640076 09	GASKET



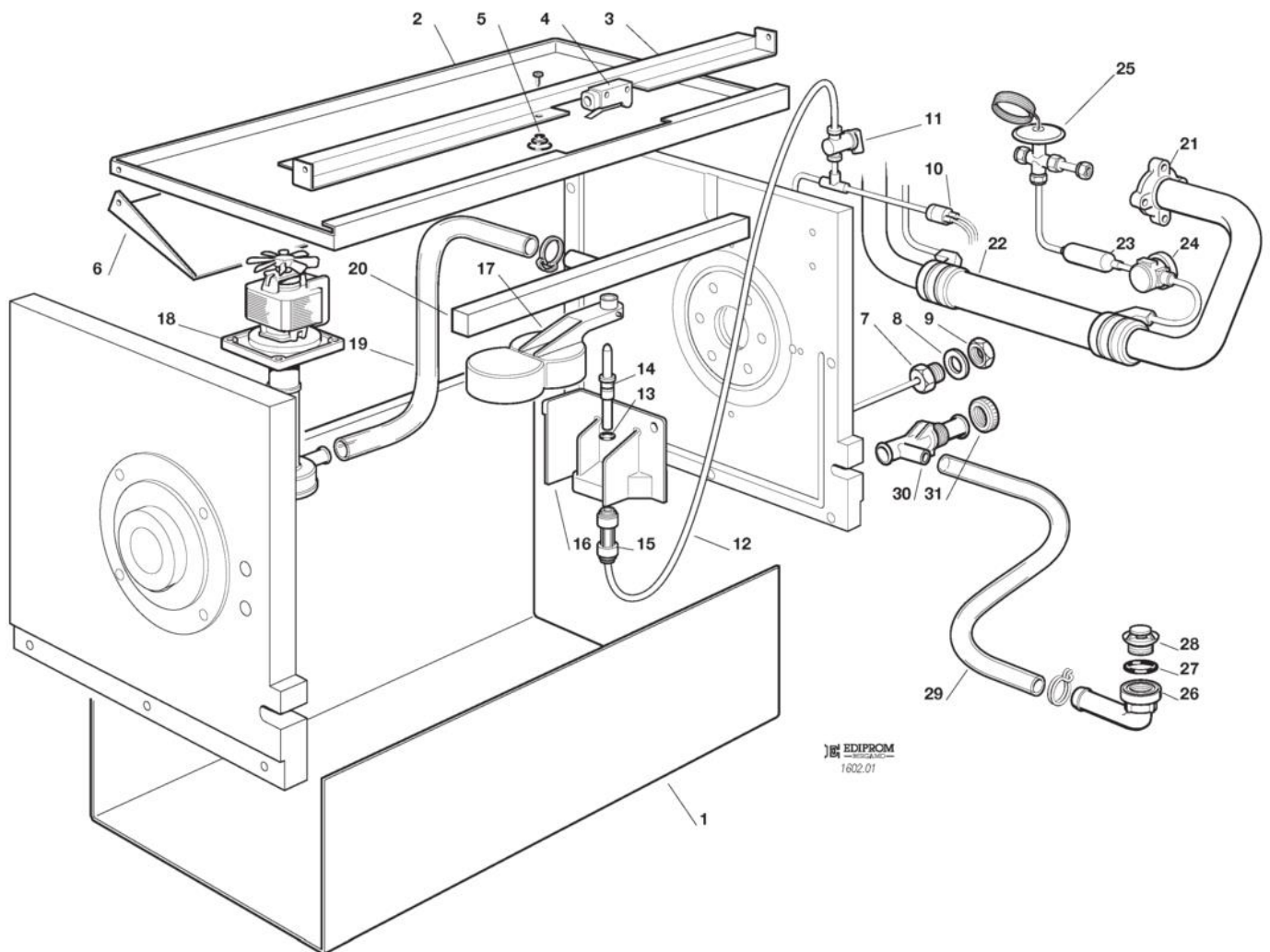


Pos	Code	Description
0001	SC722683 00	WATER DRIP TRAY
0002	SC660946 01	BESIN SIDE-GEAR REDUCER
0003	SC651060 01R	BUSHING
0005	SC660945 01	BESIN SIDE-REFRIGERANT
0006	SC651060 02R	BUSHING
0008	SC784350 12	MOTOR BRACKET SLEIGHT
0010	SC620316 02	DRIVE MOTOR
0011	SC650879 05	PULLEY 83
0012	SC650878 02	V BELT XPZ937
0013	SC650879 08	PULLEY 129
0014	SC620512 01	GEAR REDUCER V176001
0016	SC784353 09	DRUM ASSY
0017	SC742111 01	SPACER RIGHT
0018	SC420014 10	SCREW
0019	SC742110 01	EVAP. SPACER
0020	SC650615 01	EVAP. INSULATION
0021	SC420014 09	SCREW
0022	SC741092 03	FIBER KEY
0023	SC724254 06	FLANGE
0024	SC640041 18	O RING
0025	SC640107 01	GASKET
0027	SC640041 18	O RING
0028	SC724432 00	WATER PUMP BRACKET
0029	SC724433 00	WATER PUMP BRACKET COVER
0030	SC723168 01	SCRAPING BLADE
0031	SC721341 03	PLATE
0032	SC650865 00	INSULATION
0032	SC651219 00	INSULATION
0032	SC651816 00	GUARNIZIONE PIANA PER MAR
0032	SC743127 01	REFR. MANIFOLD
0033	SC724260 00	KEY
0034	SC651061 00	WASHER
0035	SC724257 00	SPACER
0036	SC460000 02	CLIP RING
0037	SC723133 00	PIN
0038	SC640041 13	O RING
0039	SC724307 00	RING HOUSING
0040	SC460039 03	ROLL PIN
0041	SC640041 80	O RING
0042	SC640101 00	O RING
0043	SC001028 05	KIT SEAL MECH. & GASKET
0043	SC060670 00	GASKET KIT - MAR
0044	SC724308 00	SPACER RING
0045	SC420014 08	SCREW
0046	SC724256 01	WASHER
0047	SC640096 00	RING GASKET W/SPRING
0048	SC640076 09	GASKET



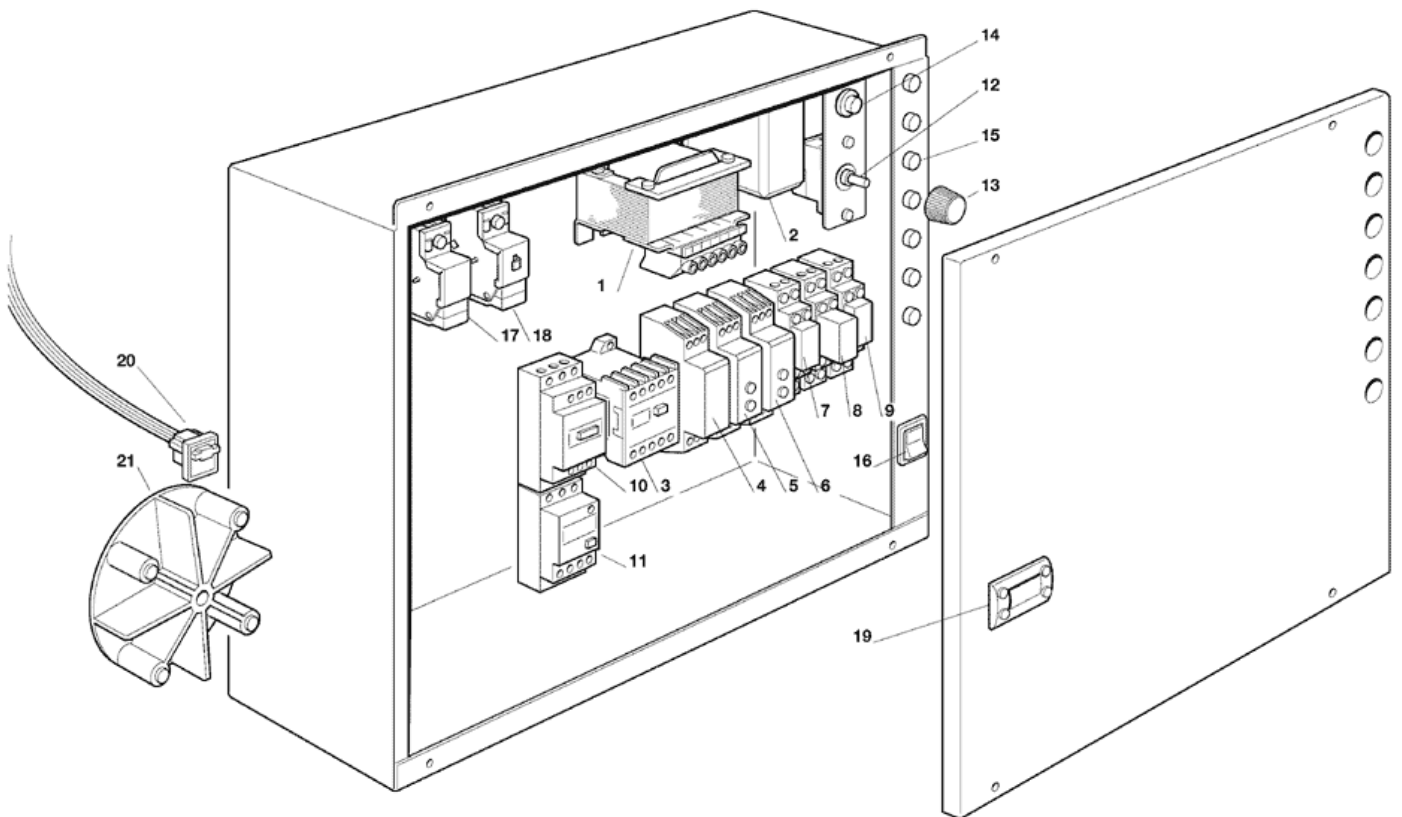
EDEFROM  
0802.03

Pos	Code	Description
0001	SC660943 00	NLA
0002	SC724483 00	PRESSURE PLATE
0003	SC724482 00	SPOUT SWITCH BRACKET
0004	SC620366 00	SPOUT SWITCH
0005	SC650161 01	SPRING
0006	SC724278 01	S.S. PLATE
0007	SC650104 00	FILTER
0007	SC651224 04	1/4 F-5/16F CONNECTOR
0007	SC660956 00	WATER IN PLASTIC FITTING
0010	SC620451 00	PRESSOSTAT
0011	SC651206 00	WATER TAP
0012	SC651206 02	1/4 OD NYLON TUBE
0013	SC651224 04	1/4 F-5/16F CONNECTOR
0014	SC660957 01	PLASTIC NOZZLE
0015	SC640100 00	O RING OR 2025 (WRAS-FDA)
0017	SC660585 01	FLOAT VALVE
0018	SC620433 02	WATER PUMP 230V/50HZ/1PH
0019	SC610169 06	TUBE
0020	SC650739 01	SPRAY TUBE
0021	SC650521 00	BRASS FLANGE
0022	SC620317 01	HEAT EXCHANGER
0023	SC630117 00	MECH. FILTER
0024	SC620324 06	LIQUID SIGHT GLASS
0025	SC620427 57	AUT. EXP. VALVE
0026	SC660213 01	FITTING
0027	SC640134 00	O RING
0028	SC660211 01	DRAIN FILTER
0029	SC610148 10	TUBE
0030	SC660224 02	WATER DRAIN FITTING - ONE INLET
0031	SC660535 00	PLASTIC NUT



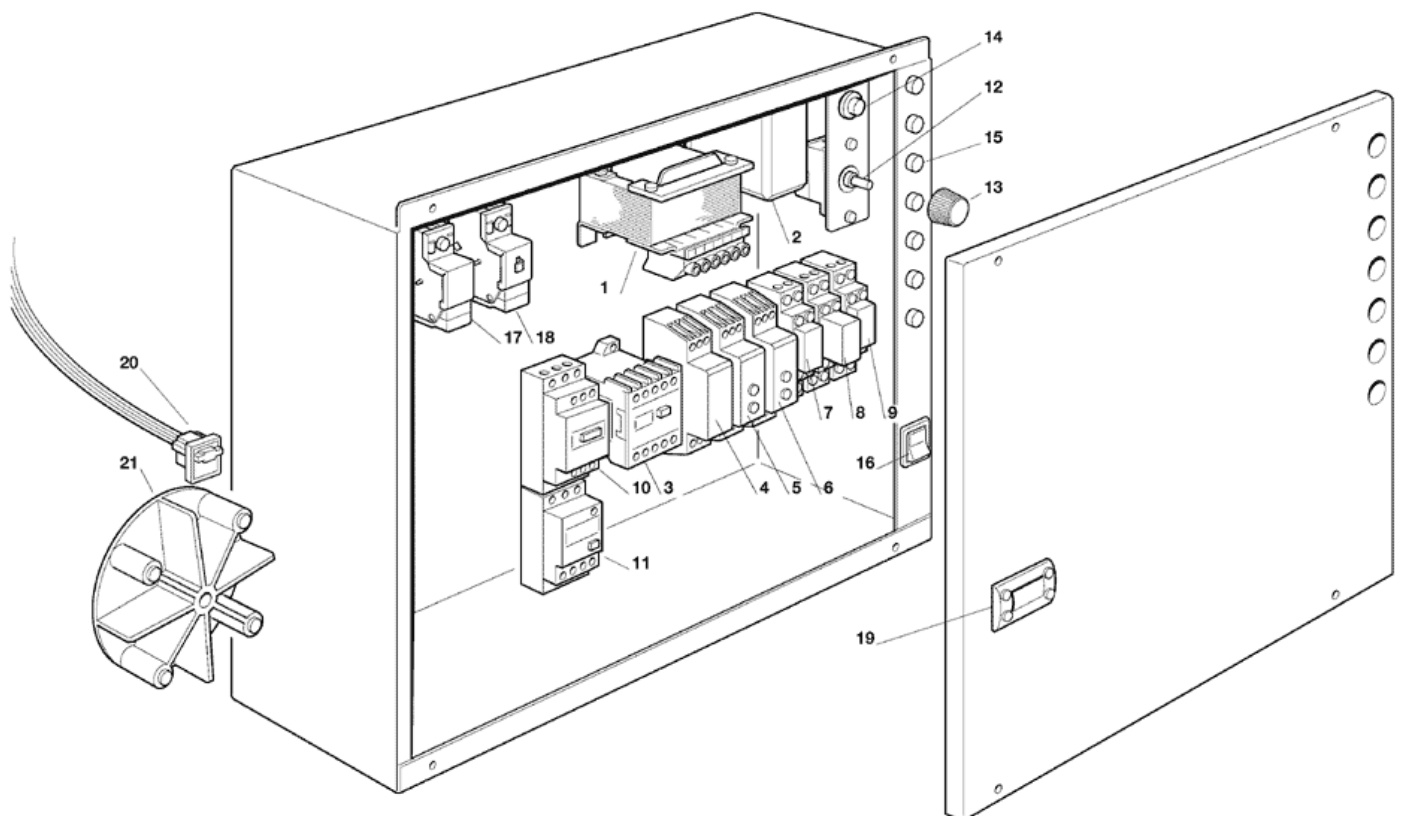
EDIPROM  
1602.01

Pos	Code	Description
0001	SC722749 00	BASIN BODY
0002	SC620458 00	SCREW
0002	SC724483 00	PRESSURE PLATE
0003	SC724482 00	SPOUT SWITCH BRACKET
0004	SC620366 00	SPOUT SWITCH
0005	SC650161 01	SPRING
0006	SC724278 01	S.S. PLATE
0007	SC650104 00	FILTER
0007	SC651224 04	1/4 F-5/16F CONNECTOR
0007	SC660956 00	WATER IN PLASTIC FITTING
0010	SC620451 00	PRESSOSTAT
0011	SC651206 00	WATER TAP
0012	SC651206 02	1/4 OD NYLON TUBE
0013	SC640100 00	O RING OR 2025 (WRAS-FDA)
0014	SC660957 01	PLASTIC NOZZLE
0015	SC651224 04	1/4 F-5/16F CONNECTOR
0016	SC743128 02	FLOAT VALVE BRKT
0017	SC660585 01	FLOAT VALVE
0018	SC620433 02	WATER PUMP 230V/50HZ/1PH
0019	SC610169 06	TUBE
0020	SC650739 01	SPRAY TUBE
0021	SC650521 00	BRASS FLANGE
0022	SC620317 01	HEAT EXCHANGER
0023	SC630117 00	MECH. FILTER
0024	SC620324 06	LIQUID SIGHT GLASS
0025	SC620427 57	AUT. EXP. VALVE
0026	SC660213 01	FITTING
0027	SC640134 00	O RING
0028	SC660211 01	DRAIN FILTER
0029	SC610148 10	TUBE
0030	SC660224 02	WATER DRAIN FITTING - ONE INLET
0031	SC660535 00	PLASTIC NUT



Pos	Code	Description
0001	SC620505 00	TRANSFORMER 230-12V
0002	SC620488 01	ROTATION CONTROL
0003	SC620631 05	CONTACTOR
0004	SC620631 01	PHASE MONITORING RELAY
0005	SC620485 00	DELAY TIMER
0006	SC620485 00	DELAY TIMER
0007	SC060749 00	KIT RELAY & RELAY SOCKET
0008	SC620509 01	USE SC060749 00
0009	SC060749 00	KIT RELAY & RELAY SOCKET
0010	SC630148 03	CONTACTOR 230/50-60
0012	SC620631 02	BIN THERMOSTAT
0014	SCEQ PULS01	PUSH BUTTON - USE SC620631 08
0015	SCEQ LAMP230RO	WARNING LIGHT - USE SC630091 14
0016	SC630113 00	ON-OFF LIGHTED SWITCH
0016	SC630113 01	SWITCH PROTECTION
0017	SC620508 00	USE 620075 02
0018	SC620231 01	USE 620498 00
0018	SC620498 00	HI PRESSURE CTRL SAFETY
0019	SCEQ LEGR604774	TIMER
0020	SC620404 03	HALL SENSOR
0021	SC784476 02	BRACKET ROTOR ASSY





Pos	Code	Description
0001	SC620505 00	TRANSFORMER 230-12V
0002	SC620488 01	ROTATION CONTROL
0003	SC620631 05	CONTACTOR
0004	SC620631 01	PHASE MONITORING RELAY
0005	SC620485 00	DELAY TIMER
0006	SC620485 00	DELAY TIMER
0007	SC060749 00	KIT RELAY & RELAY SOCKET
0008	SC620509 01	USE SC060749 00
0009	SC060749 00	KIT RELAY & RELAY SOCKET
0010	SC630148 03	CONTACTOR 230/50-60
0012	SC620631 02	BIN THERMOSTAT
0014	SCEQ PULS01	PUSH BUTTON - USE SC620631 08
0015	SCEQ LAMP230RO	WARNING LIGHT - USE SC630091 14
0016	SC630113 00	ON-OFF LIGHTED SWITCH
0016	SC630113 01	SWITCH PROTECTION
0017	SC620508 00	USE 620075 02
0018	SC620231 01	USE 620498 00
0018	SC620498 00	HI PRESSURE CTRL SAFETY
0019	SC620501 00	DIGITAL TIMER
0020	SC620404 03	HALL SENSOR
0021	SC784476 02	BRACKET ROTOR ASSY